



US00D477818S

(12) **United States Design Patent**
Zeitman

(10) **Patent No.:** **US D477,818 S**

(45) **Date of Patent:** **** Jul. 29, 2003**

(54) **COMBINED RADIO AND CASSETTE
PLAYER**

D383,460 S * 9/1997 Zeitman D14/168
D392,288 S * 3/1998 Kobayashi D14/168
D429,715 S * 8/2000 Kobayashi D14/168

(75) **Inventor:** **Josh Zeitman**, Brooklyn, NY (US)

* cited by examiner

(73) **Assignee:** **Lenox Electronics Corp.**, Brooklyn,
NY (US)

Primary Examiner—Nanda Bondade
(74) *Attorney, Agent, or Firm*—Burns, Doane, Swecker &
Mathis, L.L.P.

(**) **Term:** **14 Years**

(21) **Appl. No.:** **29/152,237**

(22) **Filed:** **Dec. 19, 2001**

(51) **LOC (7) Cl.** **14-01**

(52) **U.S. Cl.** **D14/163**

(58) **Field of Search** D14/135–136,
D14/156–157, 160–165, 167–168, 188,
193–198; 369/75.1, 75.2, 77.1, 77.2; 455/344,
347–351

(57) **CLAIM**

The ornamental design for a “combined radio and cassette
player”, as shown and described.

DESCRIPTION

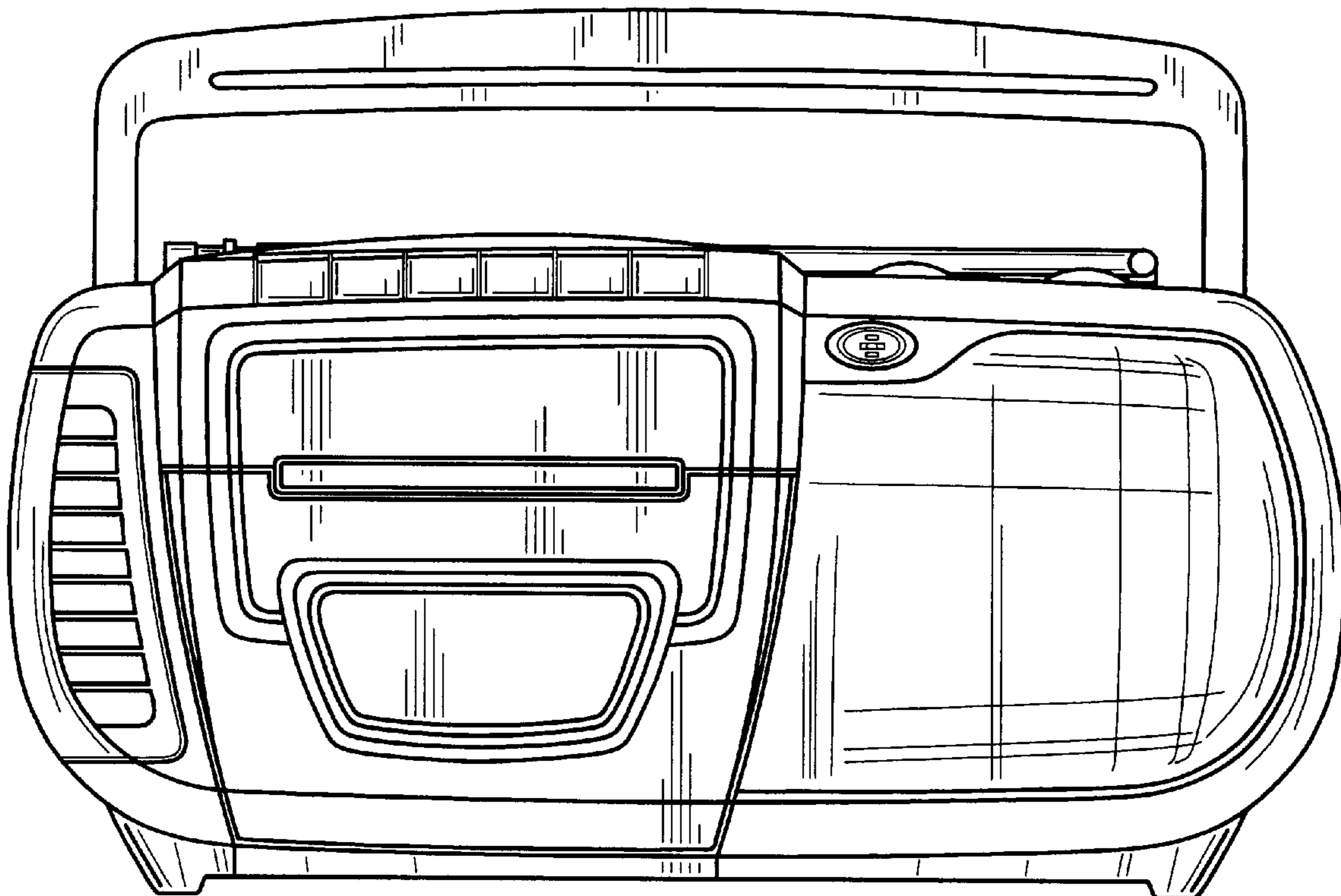
FIG. 1 is a front view of a “combined radio and cassette
player” showing my design;
FIG. 2 is a rear view thereof;
FIG. 3 is a left side view thereof with the handle in alternate
configuration;
FIG. 4 is a right side view thereof;
FIG. 5 is a top plan view thereof; and,
FIG. 6 is a bottom view thereof.

(56) **References Cited**

U.S. PATENT DOCUMENTS

D372,913 S * 8/1996 Zeitman D14/168

1 Claim, 3 Drawing Sheets



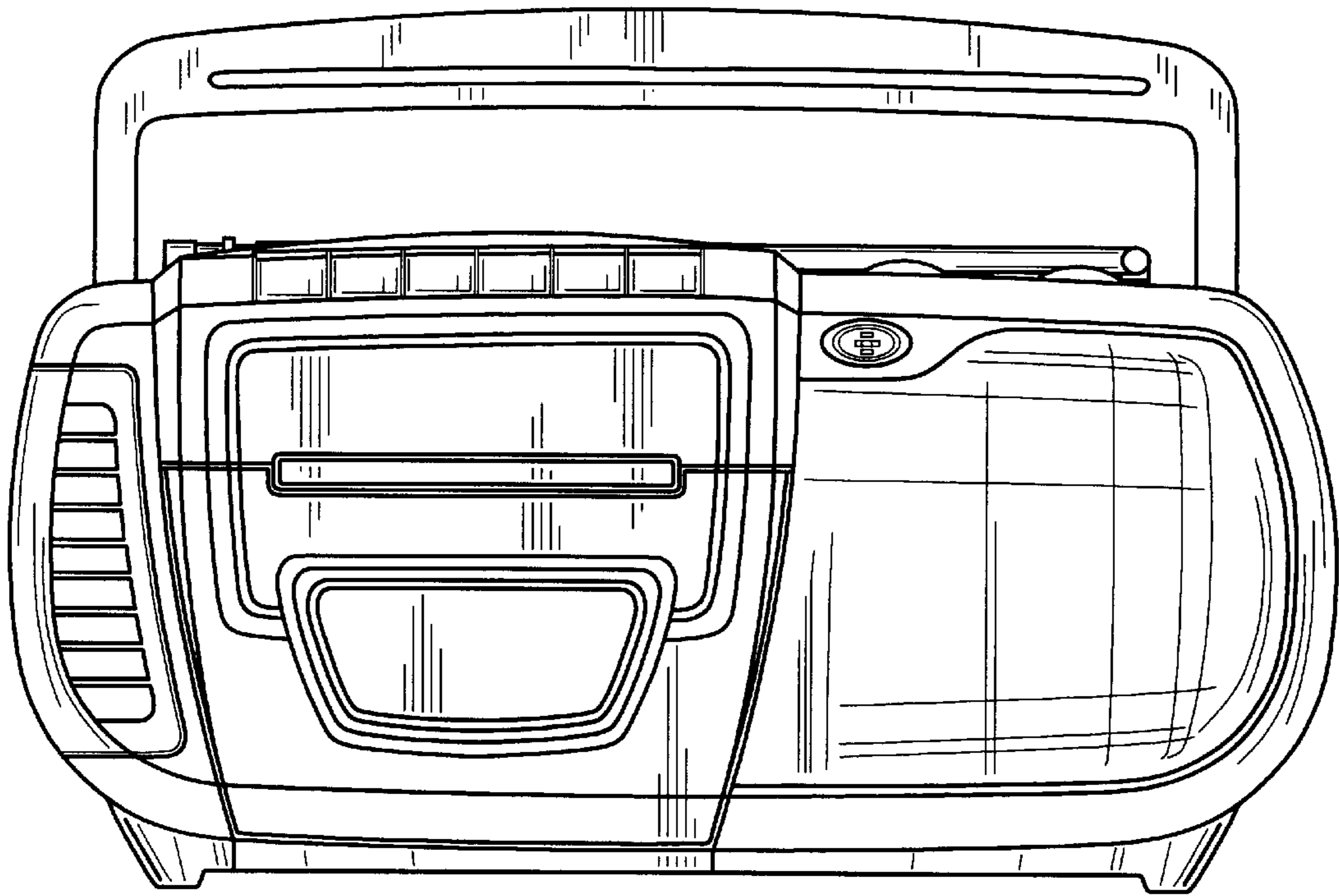


FIG. 1

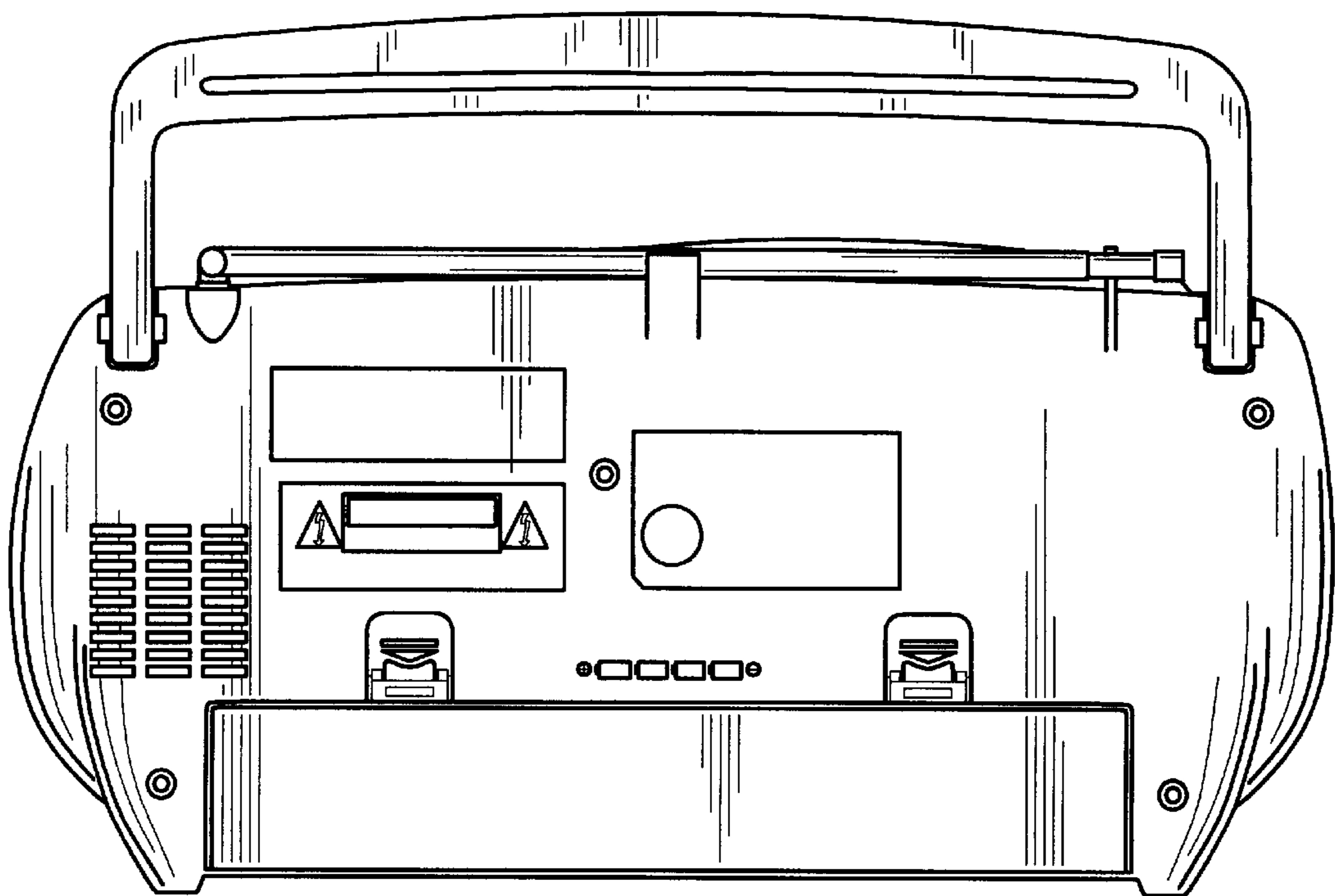


FIG. 2

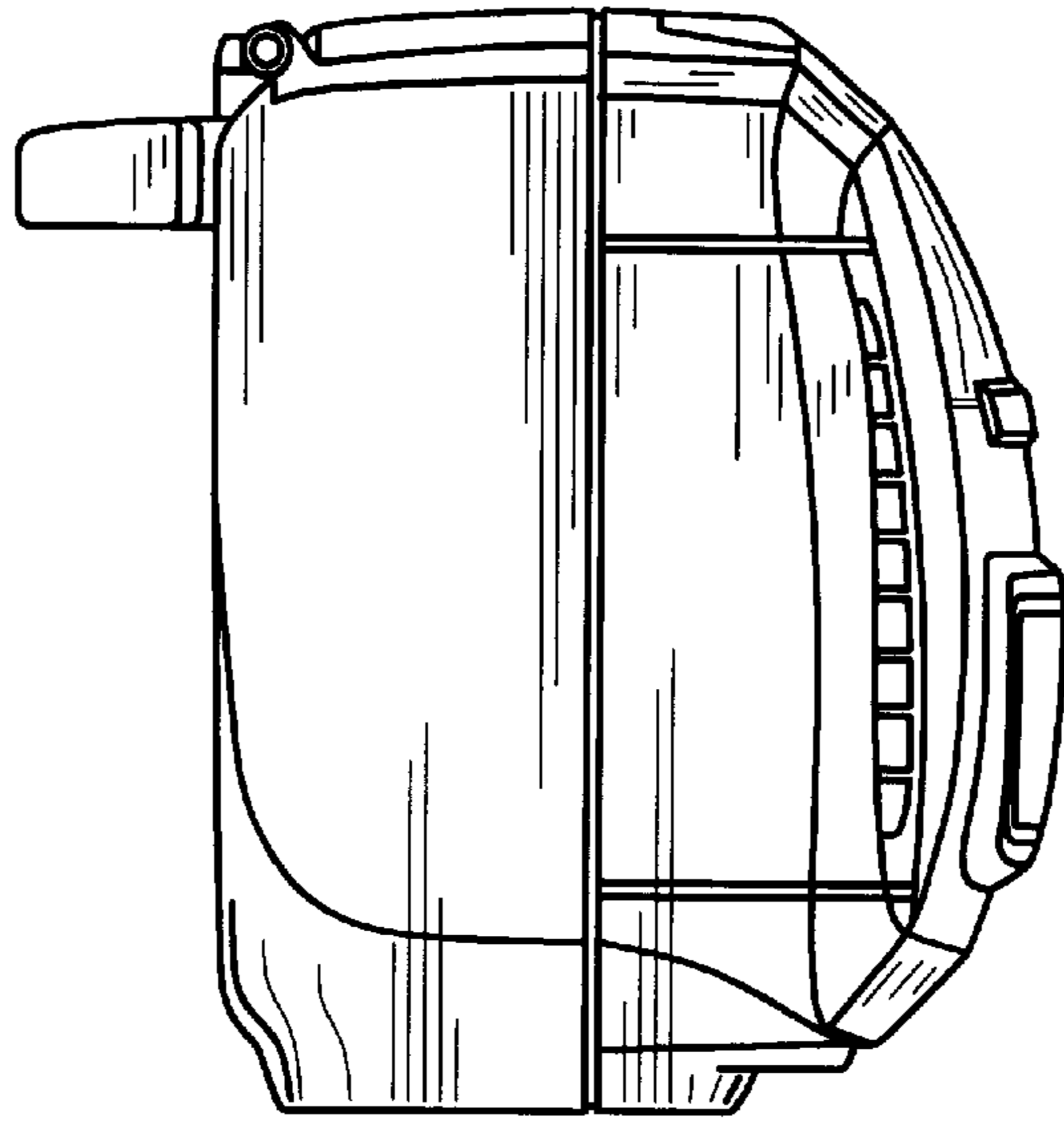


FIG. 3

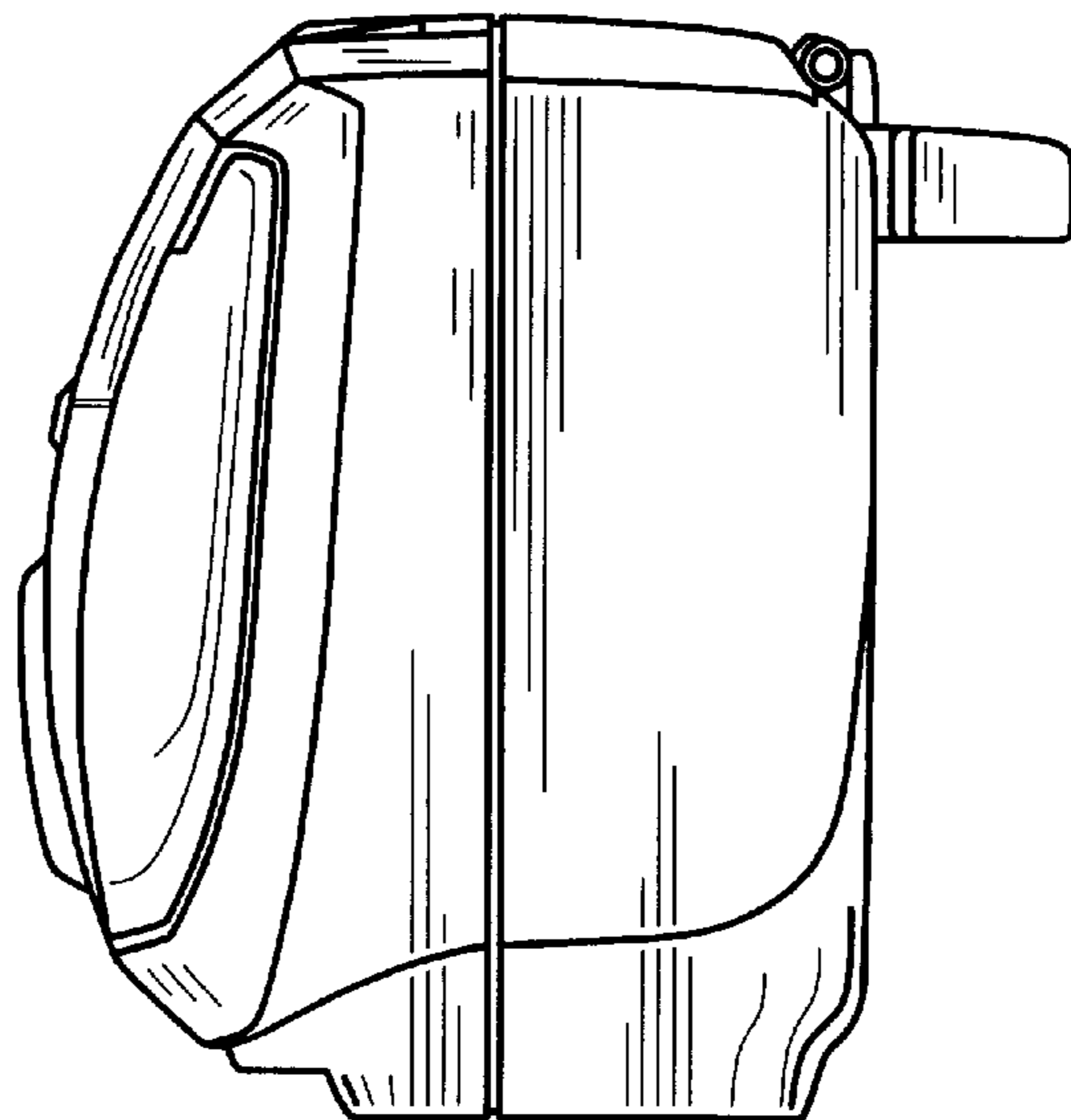


FIG. 4

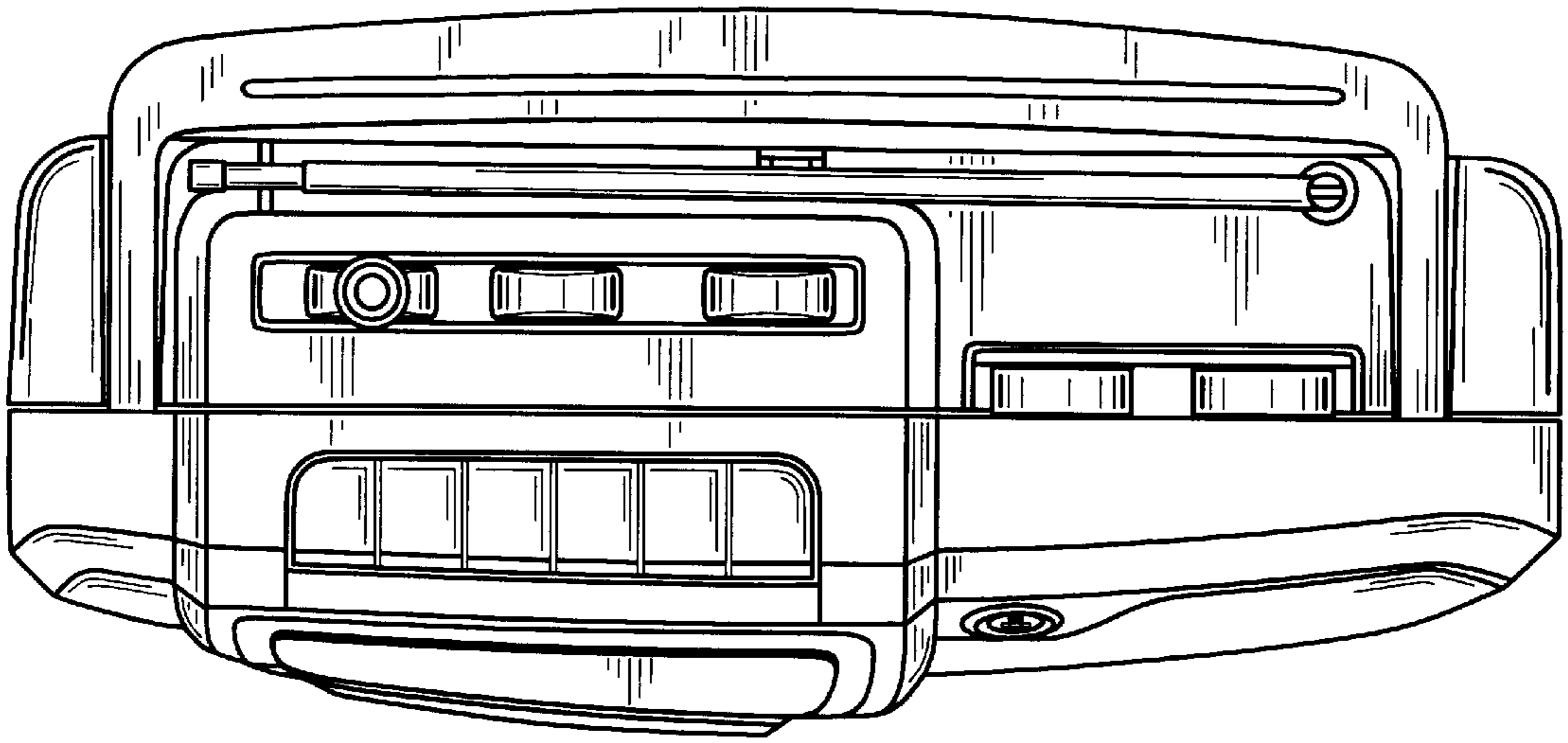


FIG. 5

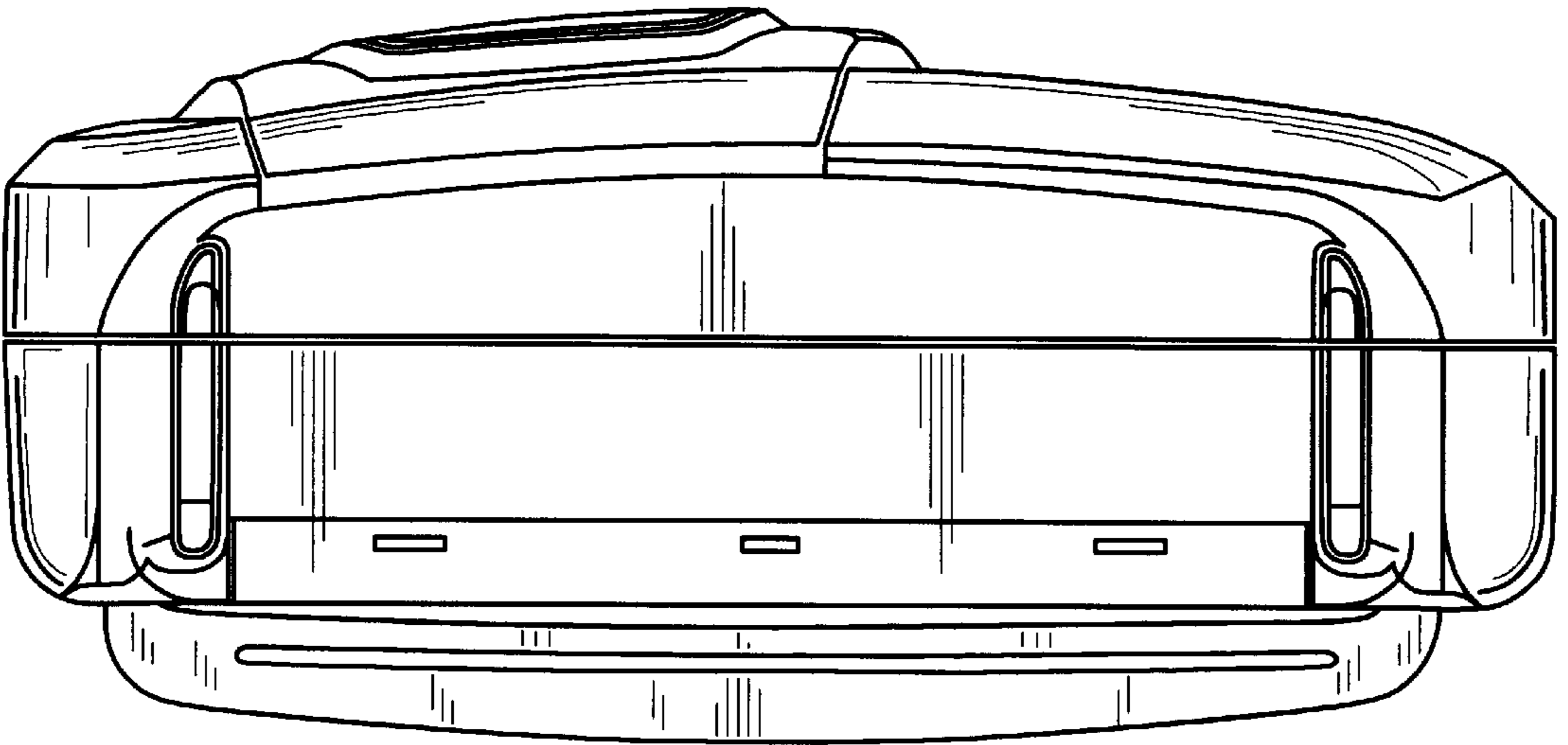


FIG. 6