



US00D477809S

(12) **United States Design Patent**
Zurita

(10) **Patent No.:** **US D477,809 S**

(45) **Date of Patent:** **** Jul. 29, 2003**

(54) **TIRE TREAD**

(75) **Inventor:** **Louis Ernest Zurita**, deceased, late of Copley, OH (US), by Mary Zurita, executrix

(73) **Assignee:** **The Goodyear Tire & Rubber Company**, Akron, OH (US)

(**) **Term:** **14 Years**

(21) **Appl. No.:** **29/159,715**

(22) **Filed:** **Apr. 26, 2002**

(51) **LOC (7) Cl.** **12-15**

(52) **U.S. Cl.** **D12/601**

(58) **Field of Search** D12/551, 552, D12/553, 574, 586, 587, 588, 594, 595, 598, 600, 601; 152/209.1, 209.9, 209.13, 209.25, 209.28

(56) **References Cited**

U.S. PATENT DOCUMENTS

D340,013 S	*	10/1993	Downey et al.	D12/600
D368,244 S	*	3/1996	Killian	D12/600
D451,864 S	*	12/2001	Seifert et al.	D12/595
D458,899 S	*	6/2002	Nopper et al.	D12/601

OTHER PUBLICATIONS

Bridgestone Potenza RE92 Tire, 1999 Tread Design Guide, Feb. 1999, p. 14. 4/1.*

Falken SN-812 Tire, 1999 Tread Design Guide, Feb. 1999, p. 29. 1/5.*

* cited by examiner

Primary Examiner—Robert M. Spear

(74) *Attorney, Agent, or Firm*—David L. King

(57) **CLAIM**

The ornamental Design for a tire tread, as shown and described.

DESCRIPTION

FIG. 1 is a perspective view of a tire tread showing my new design, it being understood that the pattern repeats uniformly throughout the circumference of the tread;

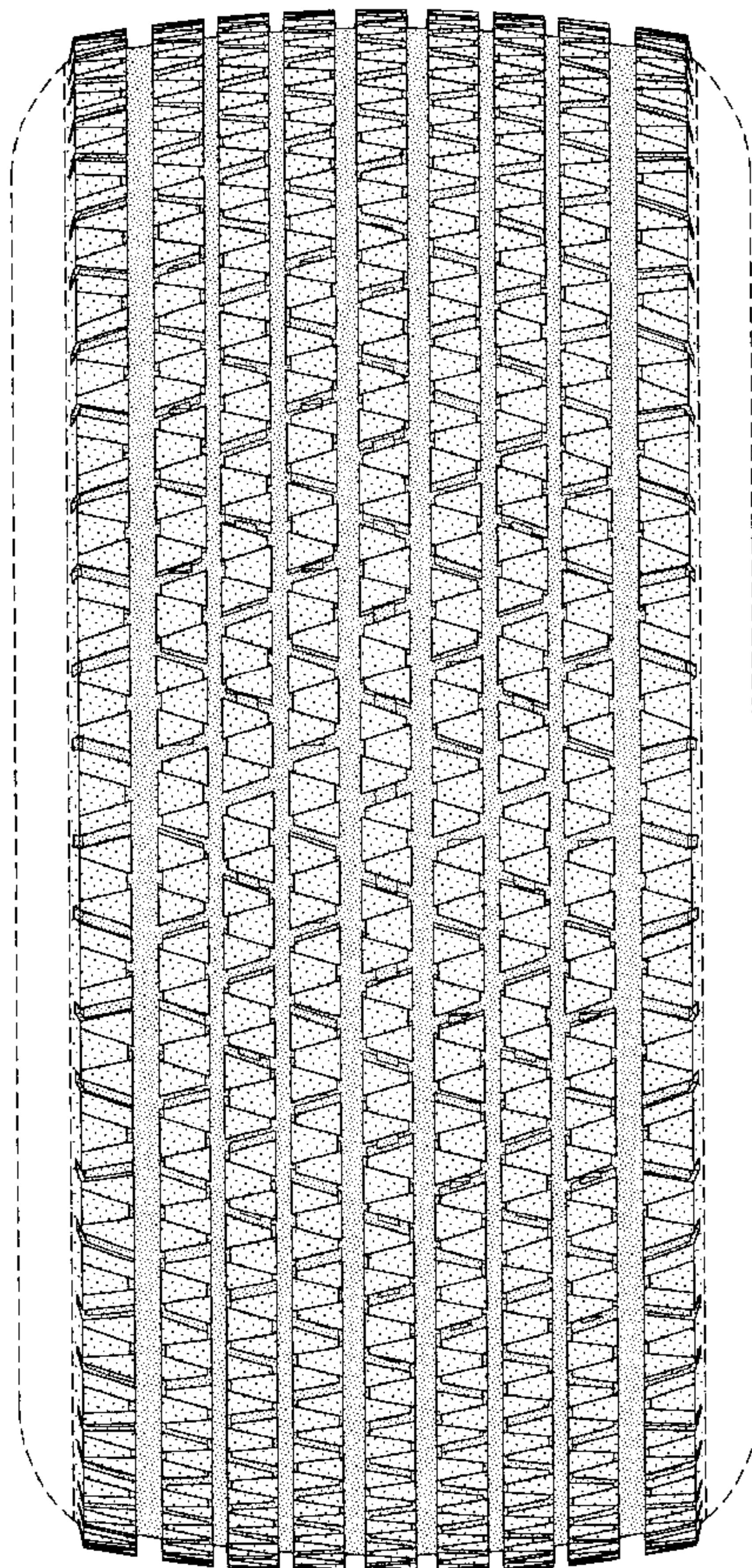
FIG. 2 is a front elevational view thereof;

FIG. 3 is a side elevational view thereof, the opposite side elevational view being identical thereto; and,

FIG. 4 is an enlarged fragmentary perspective view.

In the drawings, the broken lines defining the sidewall and inner bead and the peripheral boundary between the tire tread and the sidewall are for illustrative purposes only and form no part of the claimed design.

1 Claim, 4 Drawing Sheets



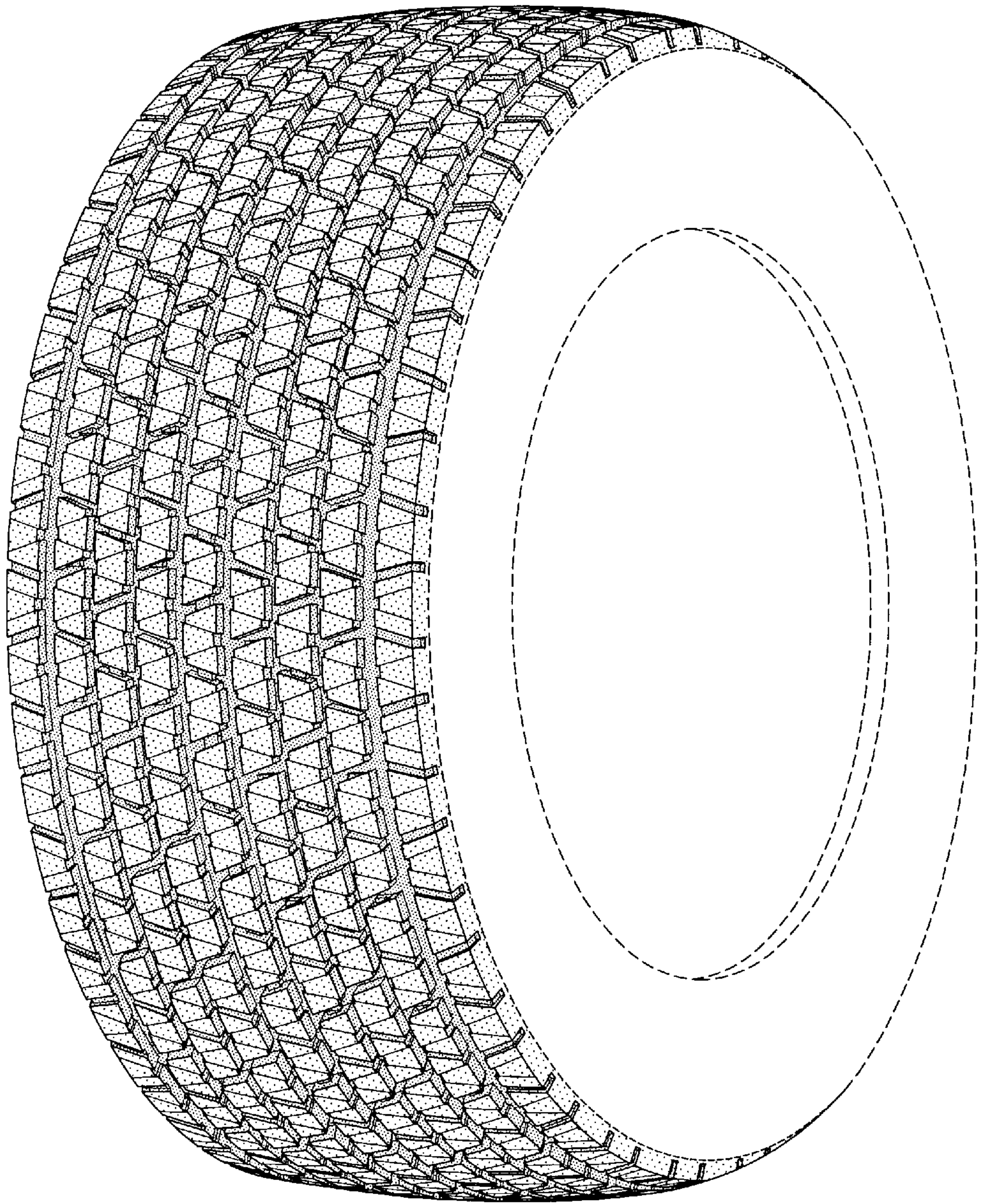


FIG-1

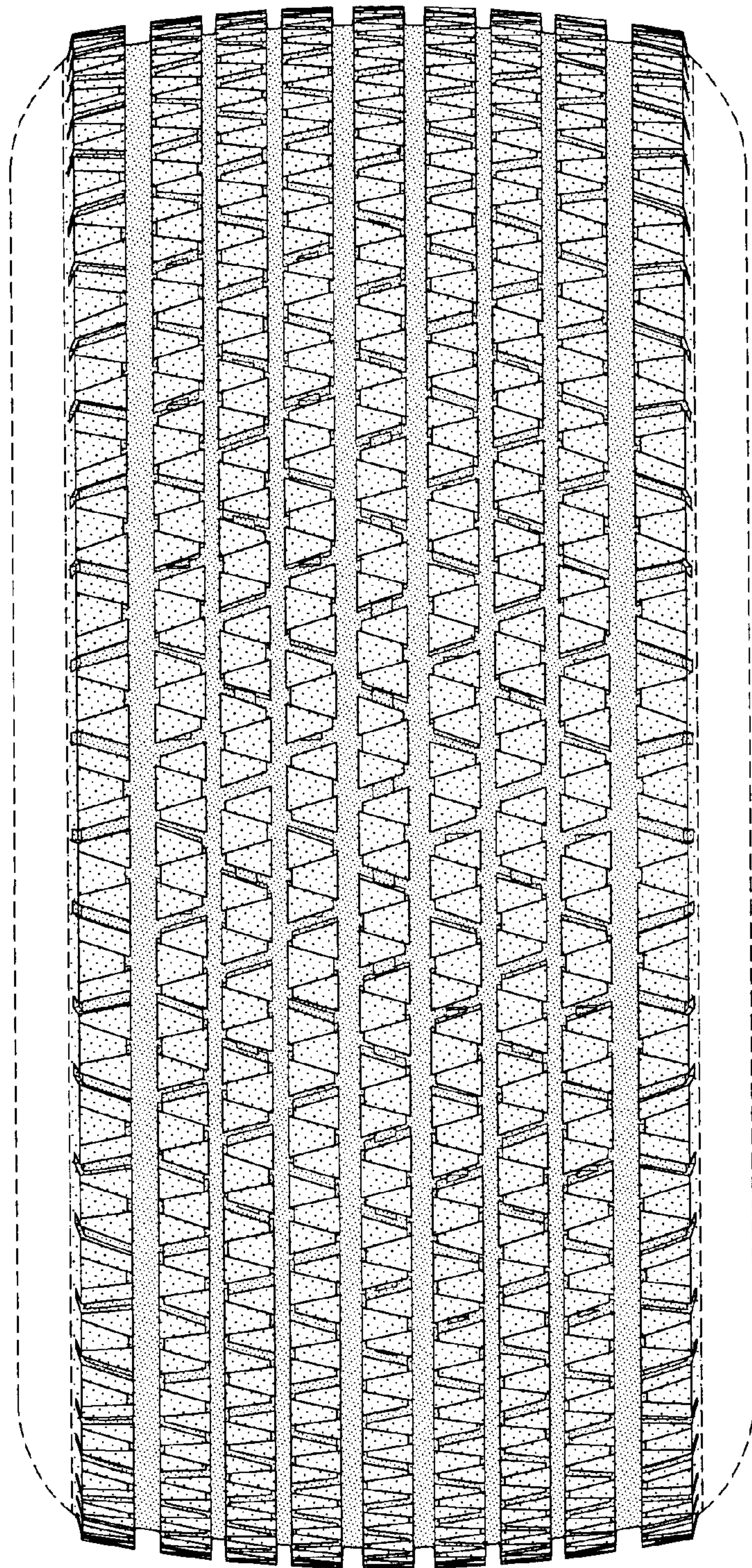


FIG-2

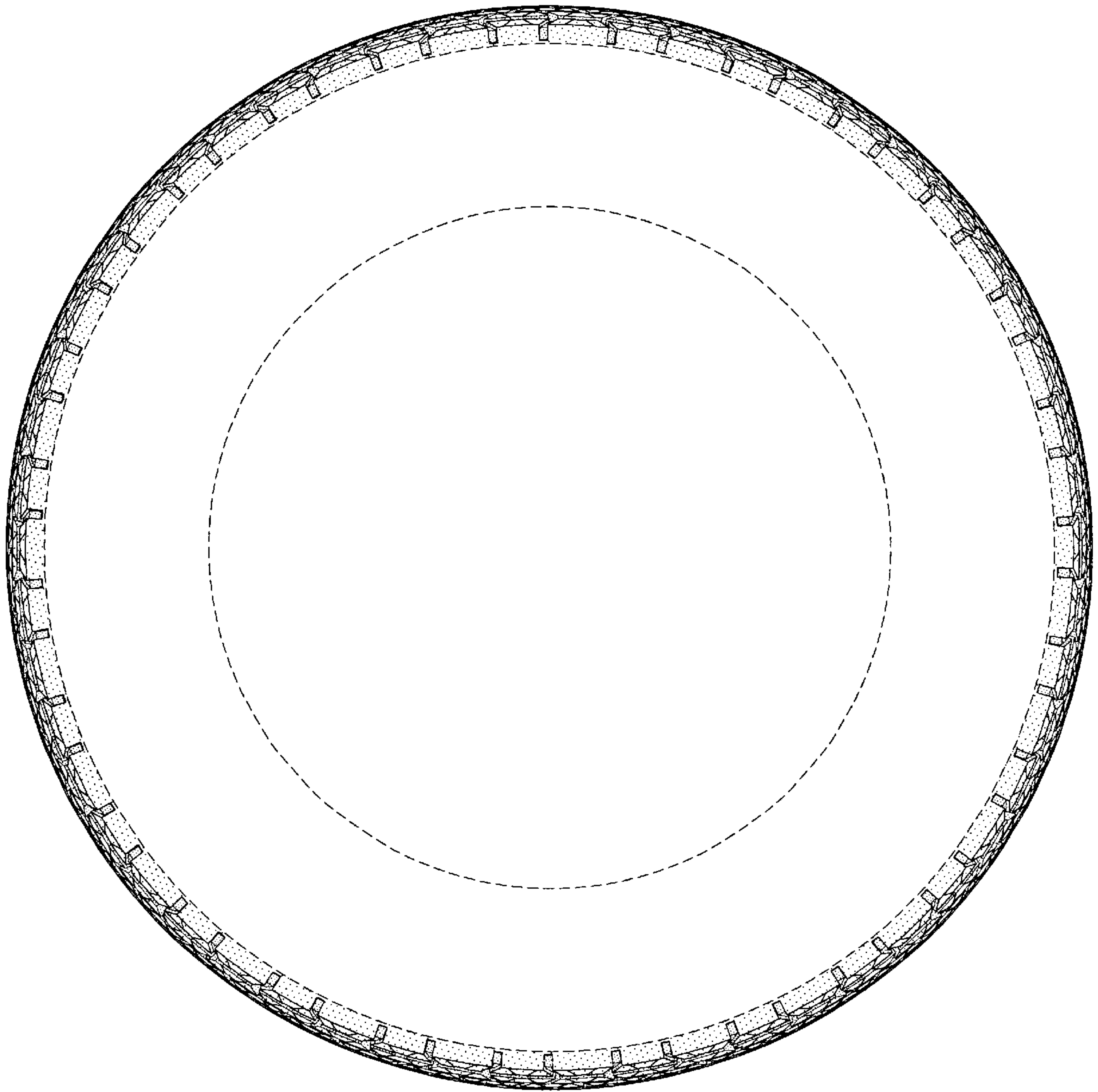


FIG-3

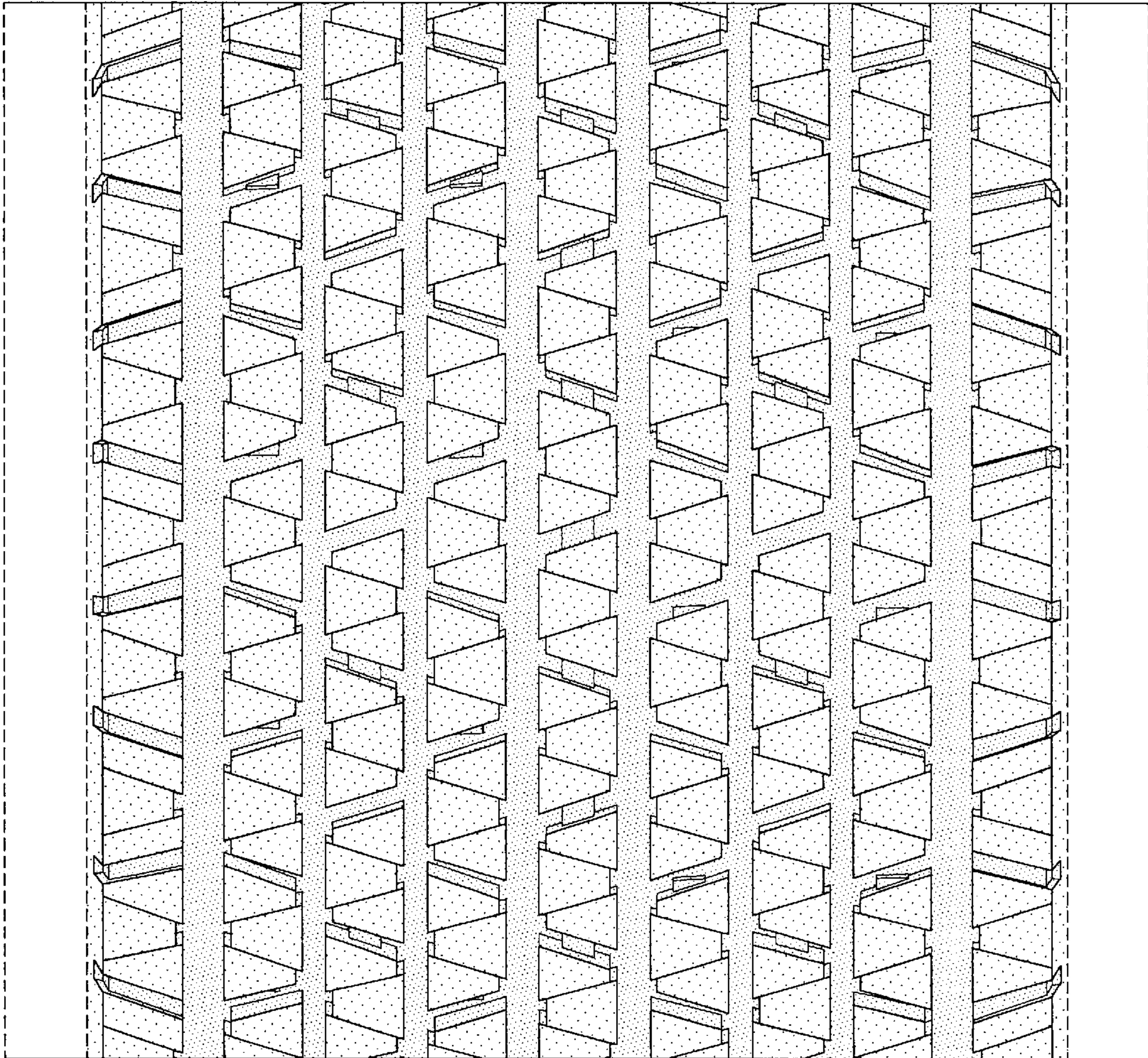


FIG-4