



US00D477804S

(12) **United States Design Patent**  
**Medder**

(10) **Patent No.:** **US D477,804 S**

(45) **Date of Patent:** **\*\* Jul. 29, 2003**

(54) **TAILGATE HOLDER**

(76) Inventor: **Matthew R Medder**, 701 Oak Creek Ct., O'Fallon, IL (US) 62269

(\*\*) Term: **14 Years**

(21) Appl. No.: **29/168,258**

(22) Filed: **Sep. 27, 2002**

(51) **LOC (7) Cl.** ..... **12-06**

(52) **U.S. Cl.** ..... **D12/223; D12/196**

(58) **Field of Search** ..... **D12/223, 196, D12/98, 400; D8/355, 354; 296/3, 26, 50, 57.1**

(56) **References Cited**

**U.S. PATENT DOCUMENTS**

|             |           |                 |               |
|-------------|-----------|-----------------|---------------|
| 3,574,981 A | 4/1971    | Henschen        |               |
| 3,744,840 A | 7/1973    | Van Cleave      |               |
| 4,322,103 A | 3/1982    | Acton           |               |
| 4,335,911 A | 6/1982    | Taylor          |               |
| 4,593,946 A | 6/1986    | Rich            |               |
| 4,666,194 A | 5/1987    | Charman         |               |
| 4,835,823 A | 6/1989    | Contat          |               |
| 5,234,249 A | 8/1993    | Dorrell         |               |
| D370,453 S  | * 6/1996  | Shortman et al. | ..... D12/223 |
| D374,210 S  | * 10/1996 | Razin           | ..... D12/223 |
| D389,450 S  | * 1/1998  | Wilson          | ..... D12/223 |
| D403,948 S  | * 1/1999  | Pawsat          | ..... D12/223 |
| D413,297 S  | * 8/1999  | Quinn           | ..... D12/196 |

6,286,847 B1 \* 9/2001 Perrin ..... 280/204  
D450,280 S \* 11/2001 Brumfield ..... D12/180

\* cited by examiner

*Primary Examiner*—Melody N. Brown

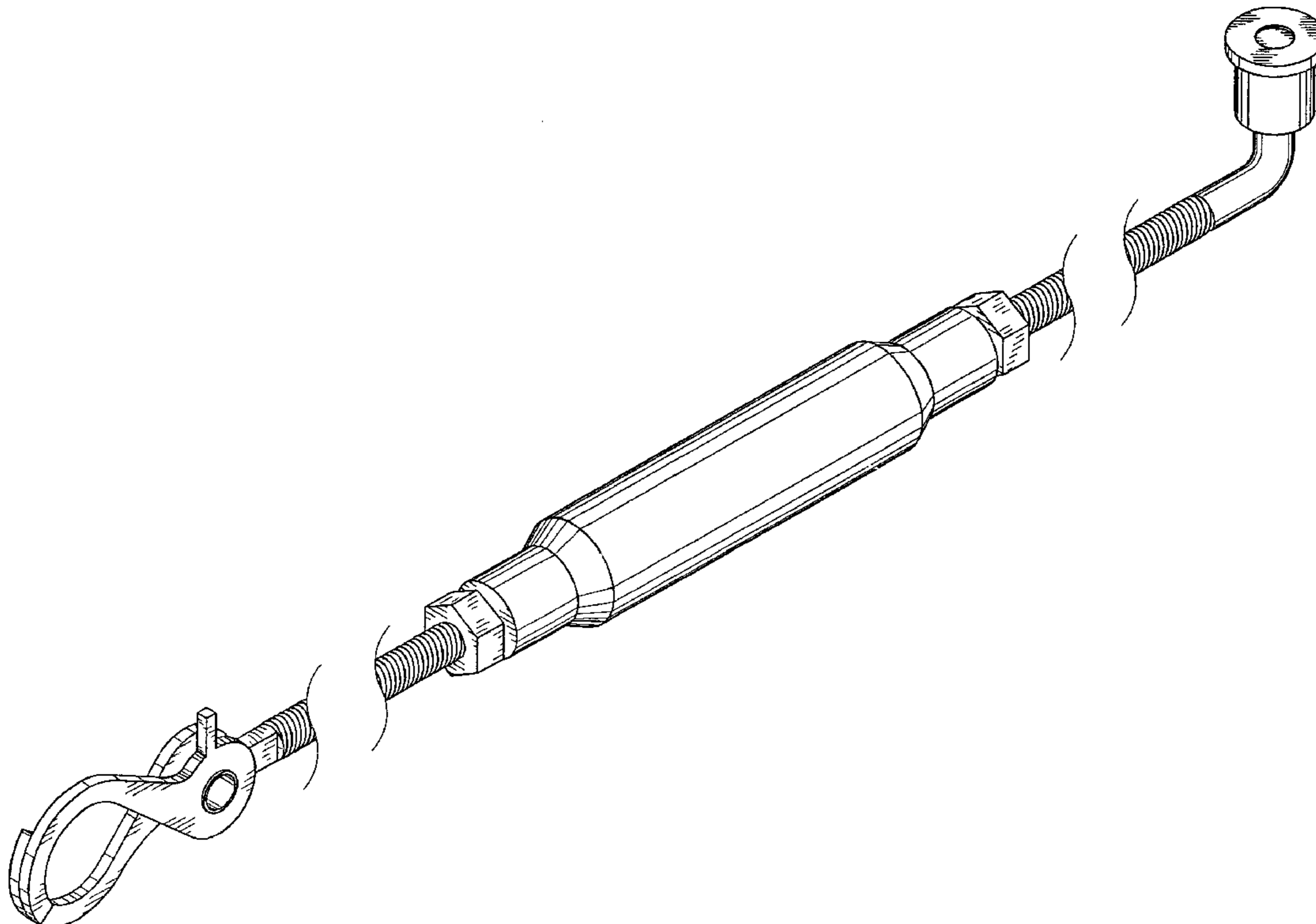
(57) **CLAIM**

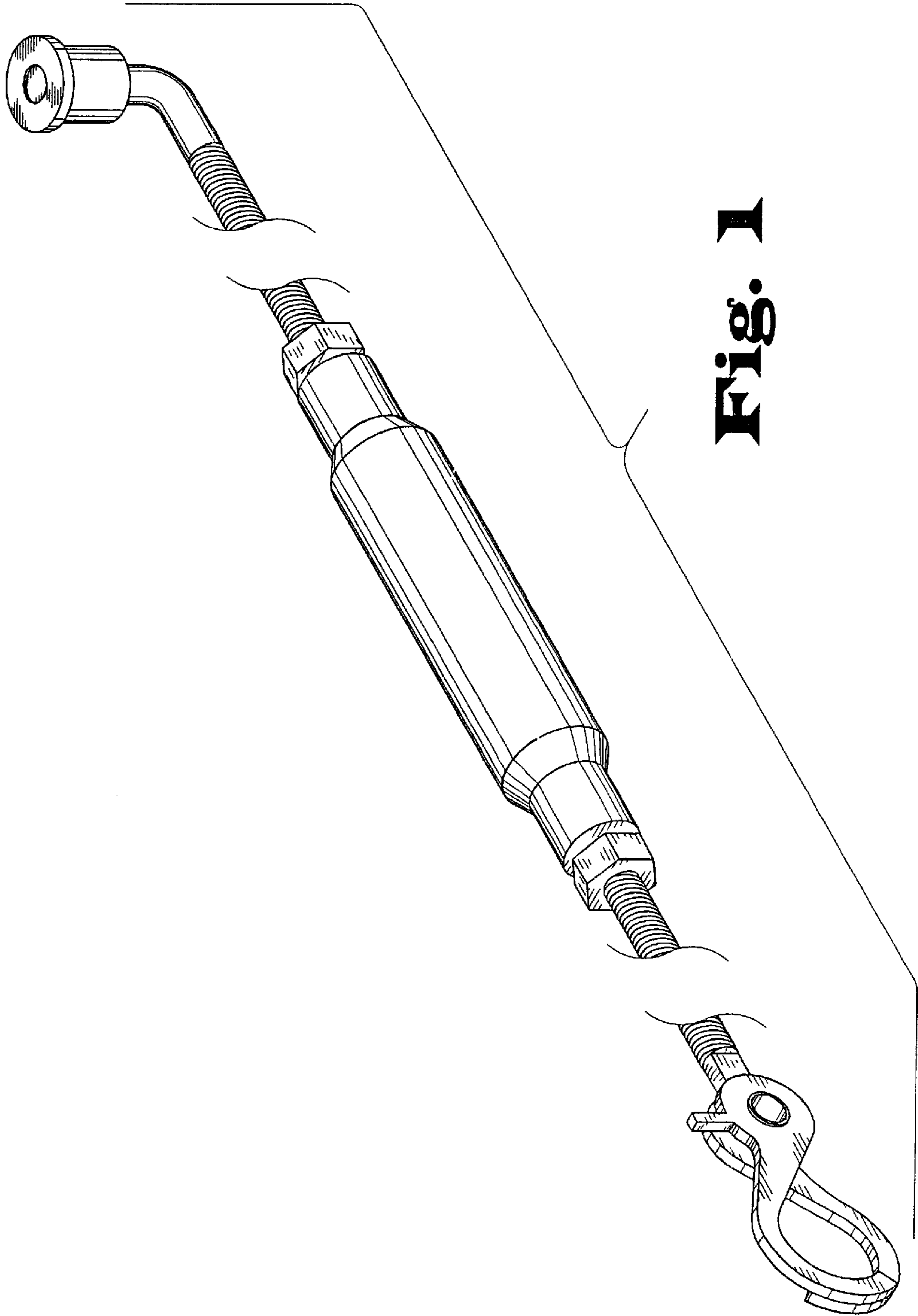
The ornamental design for a tailgate holder, as shown and described.

**DESCRIPTION**

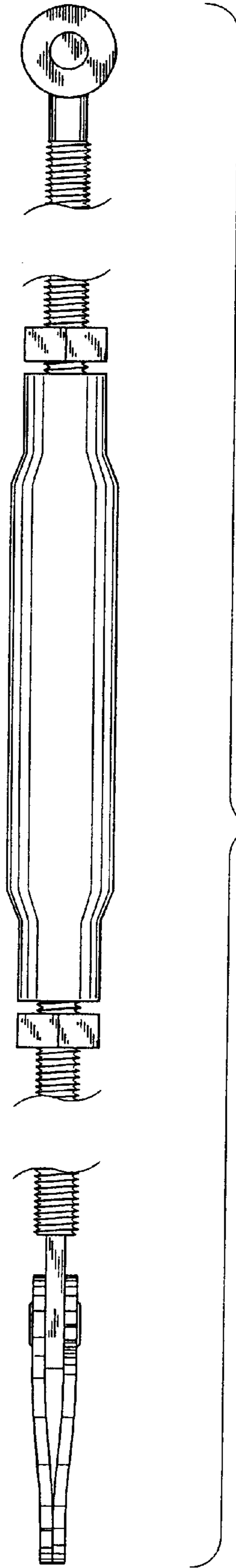
FIG. 1 is a front, top, right side perspective view of the tailgate holder of the present invention; FIG. 2 is a top plan view of the tailgate holder of FIG. 1; FIG. 3 is a bottom plan view of the tailgate holder of FIG. 1; FIG. 4 is a front elevational view of the tailgate holder of FIG. 1; FIG. 5 is a rear elevational view of the tailgate holder of FIG. 1; FIG. 6 is a front, top, right side perspective view of a second embodiment of the tailgate holder of the present invention; FIG. 7 is a top plan view of the tailgate holder of FIG. 6; FIG. 8 is a bottom plan view of the tailgate holder of FIG. 6; FIG. 9 is a front elevational view of the tailgate holder of FIG. 6; and, FIG. 10 is a rear elevational view of the tailgate holder of FIG. 6.

**1 Claim, 10 Drawing Sheets**

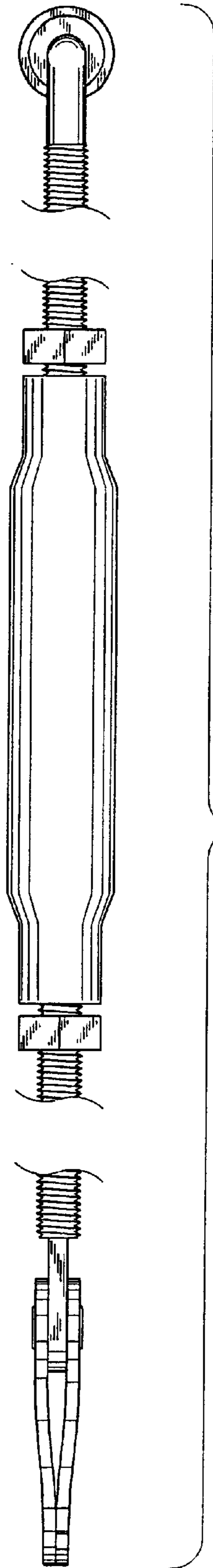




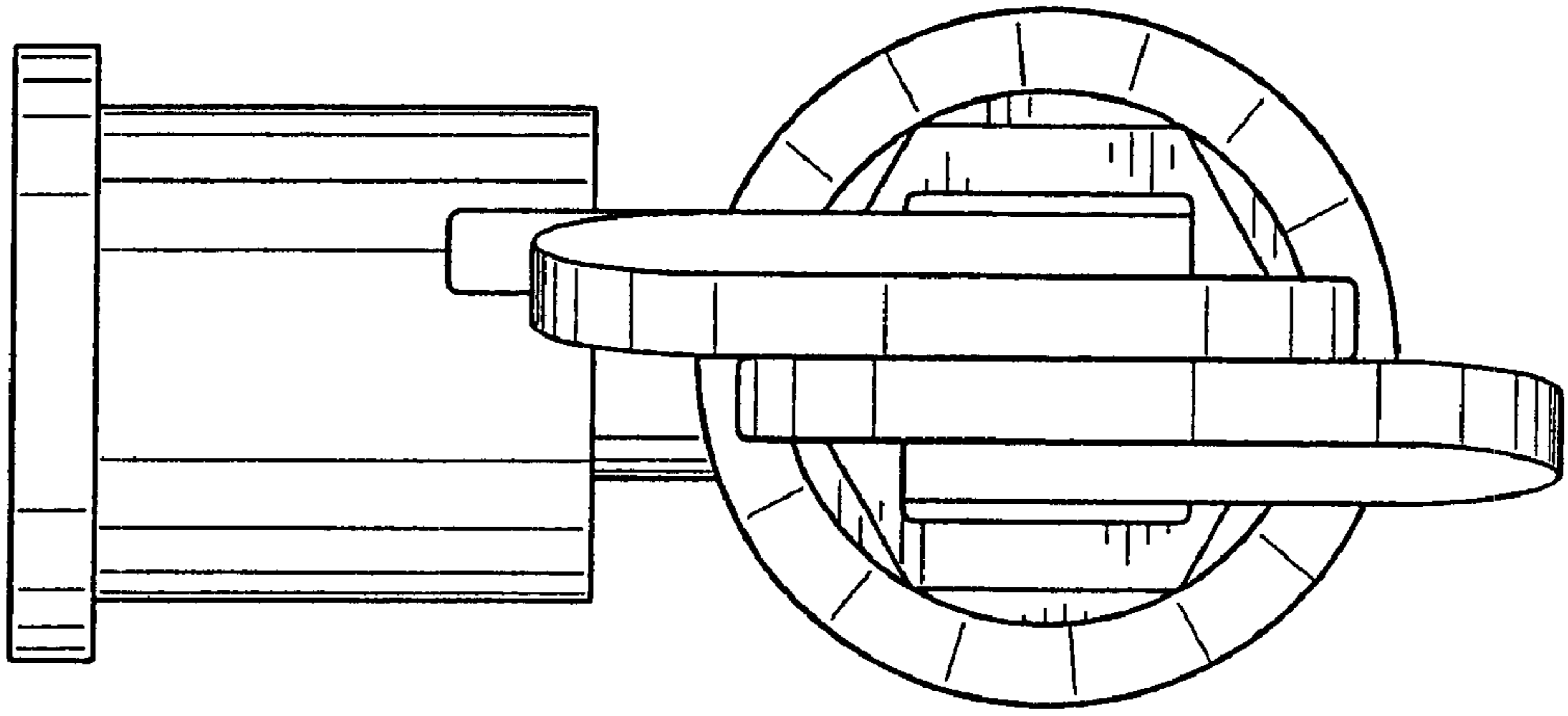
**Fig. 1**



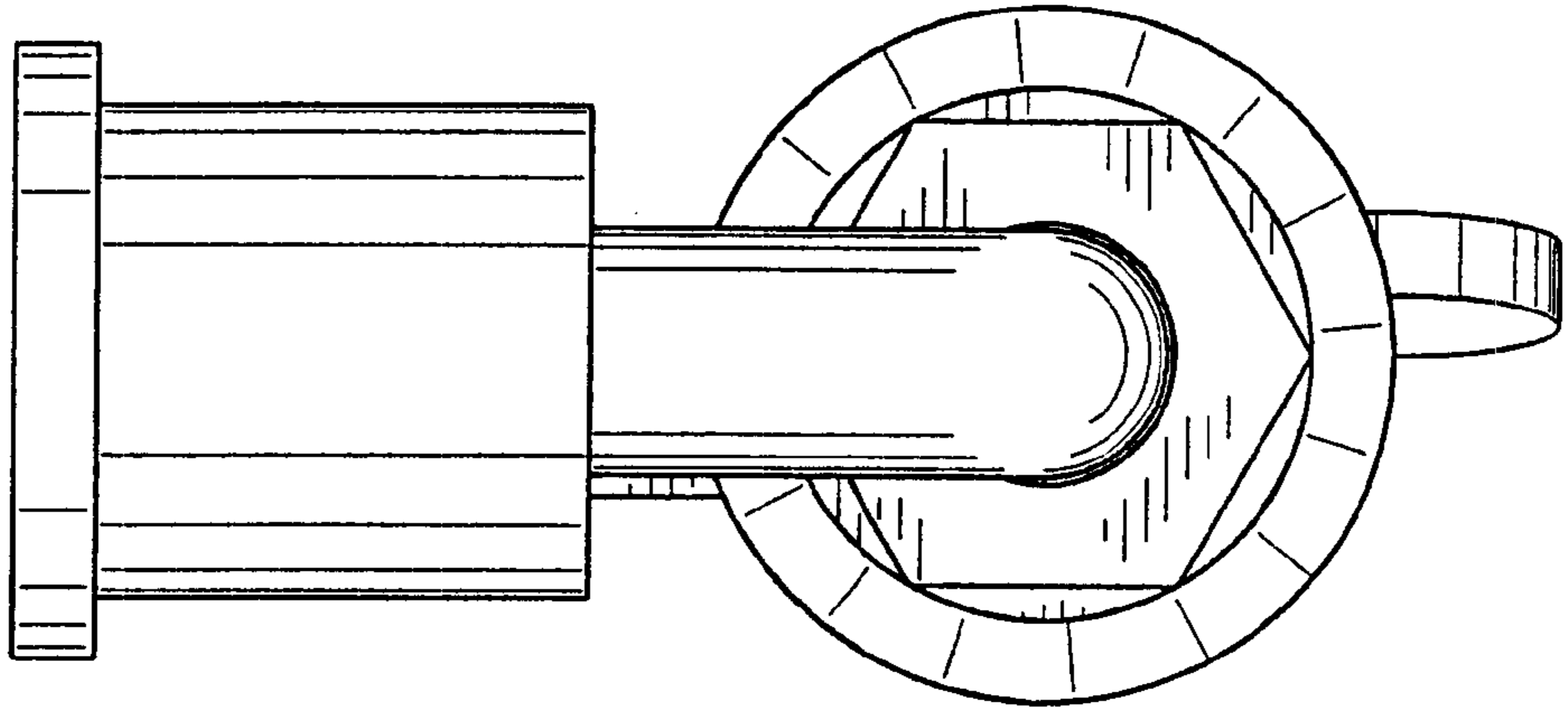
**Fig. 2**



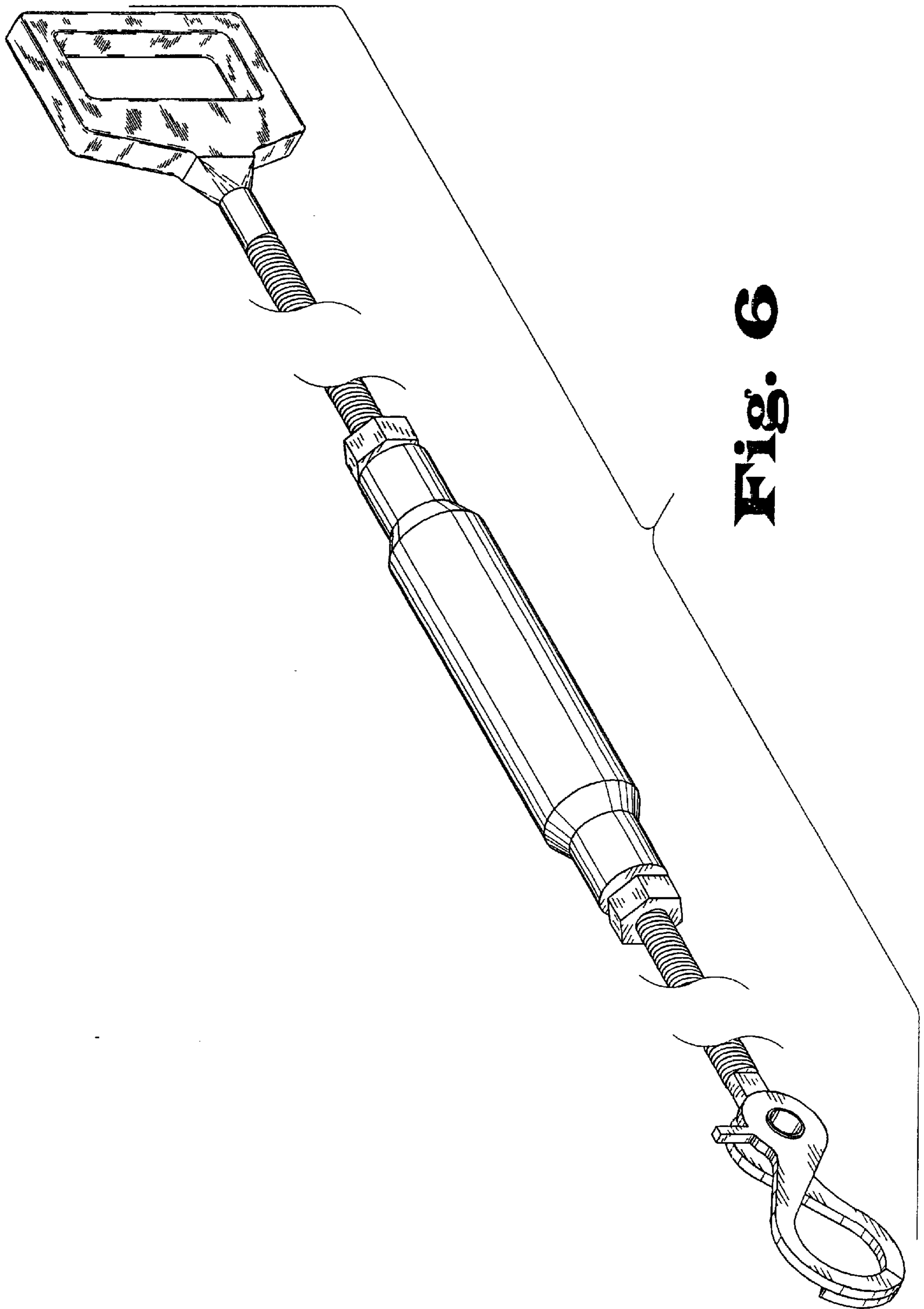
**Fig. 3**



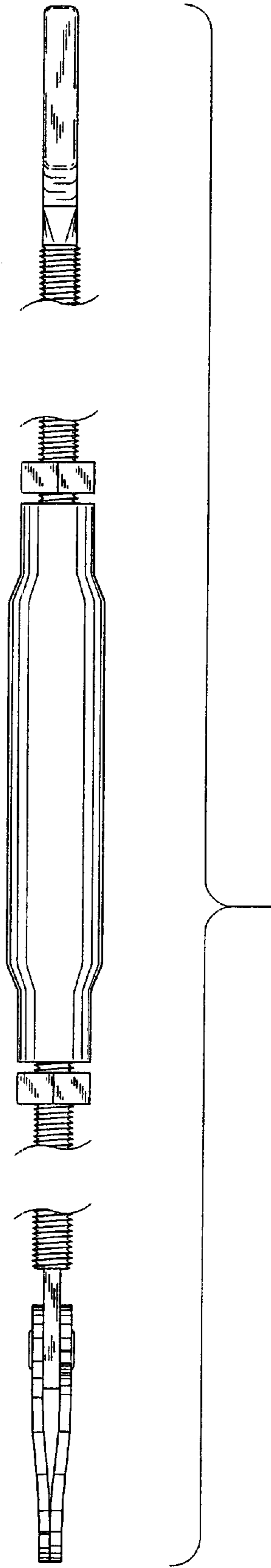
**Fig. 4**



**Fig. 5**

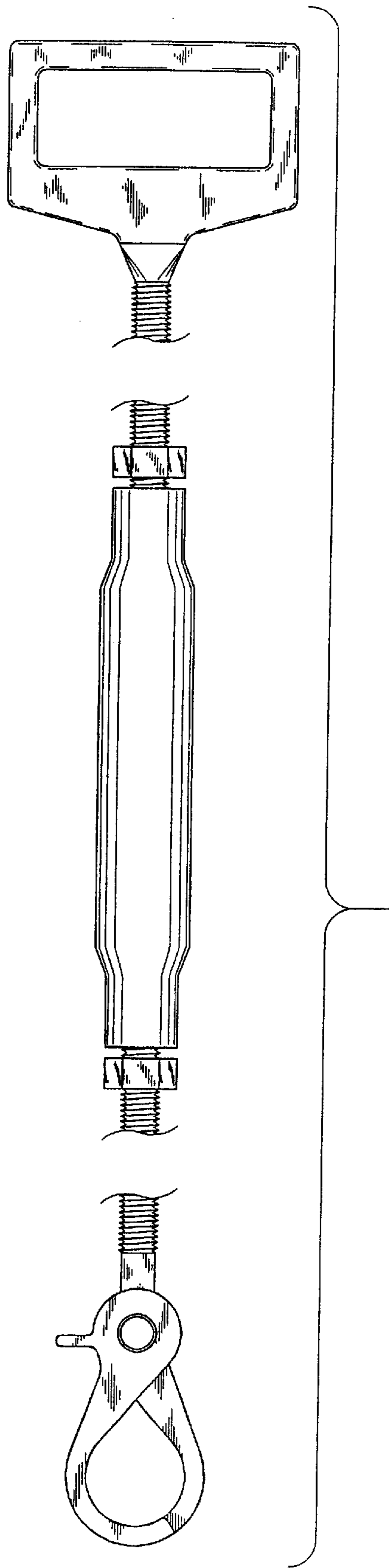


**Fig. 6**

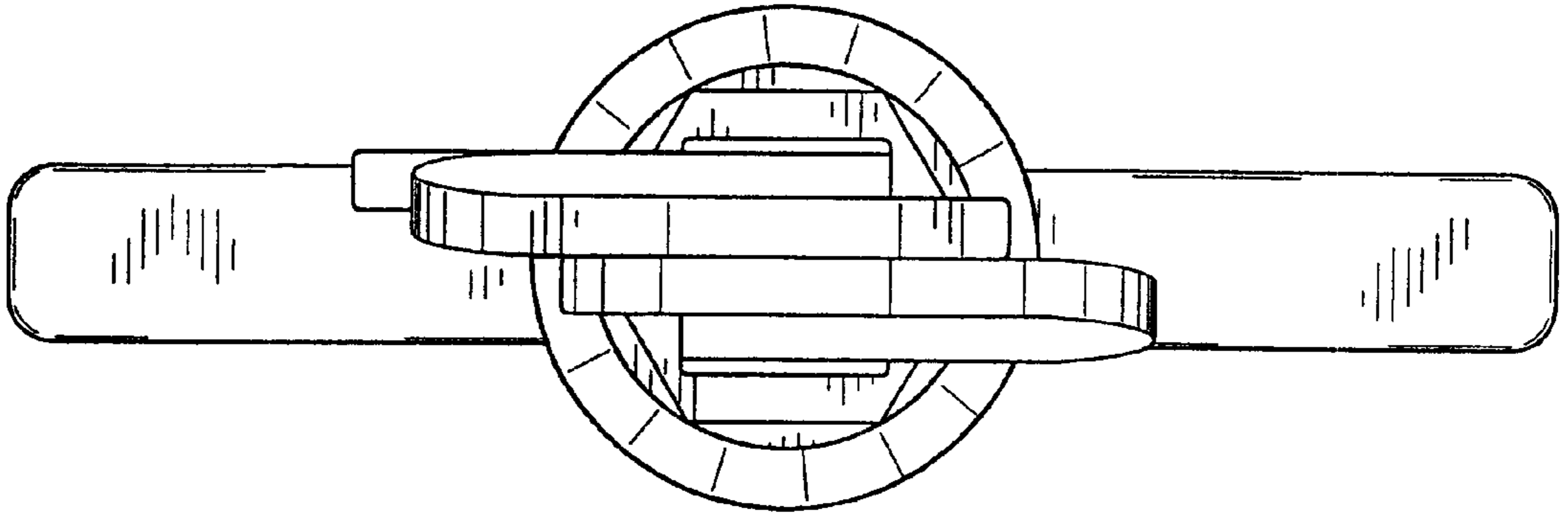


**Fig. 7**

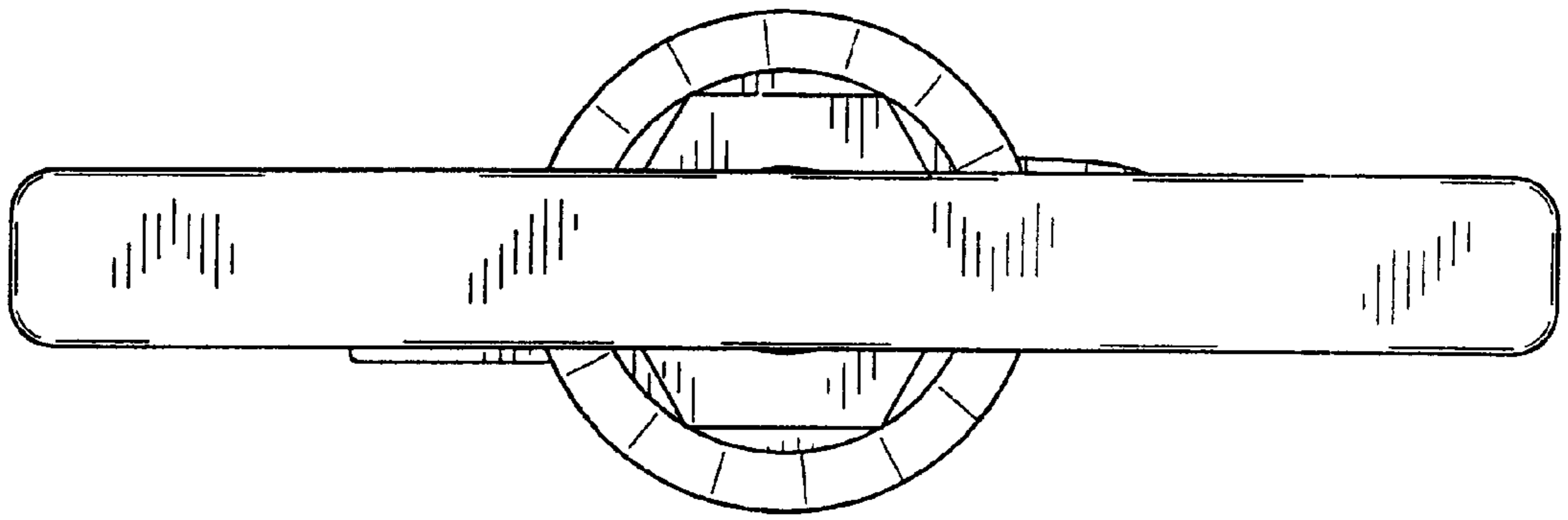




**Fig. 8**



**Fig. 9**



**Fig. 10**