



US00D477802S

(12) **United States Design Patent**
Williams

(10) **Patent No.:** **US D477,802 S**

(45) **Date of Patent:** **** Jul. 29, 2003**

(54) **WHEEL SHIELD WITH PALM KNOB GRIP**

(76) **Inventor:** **Elvis L. Williams**, 310 Pinetree Rd.,
Moscow, TN (US) 38057

(**) **Term:** **14 Years**

(21) **Appl. No.:** **29/172,767**

(22) **Filed:** **Dec. 18, 2002**

(51) **LOC (7) Cl.** **12-16**

(52) **U.S. Cl.** **D12/213**

(58) **Field of Search** D12/213, 204;
D9/452, 454; 301/37.1, 37.26, 37.42, 108.1-108.5;
220/908, 912; D7/354, 358, 391, 392.1

(56) **References Cited**

U.S. PATENT DOCUMENTS

2,568,430	A	9/1951	Casabianca	
3,004,798	A	10/1961	Tylle	
3,854,448	A	12/1974	Kromanaker	
4,784,440	A	11/1988	Fair	
4,792,191	A	12/1988	Farmer	
4,811,991	A	3/1989	Moreno et al.	
4,874,206	A	10/1989	Sampson	
D336,460	S	* 6/1993	Marquez	D12/213
D337,090	S	* 7/1993	Wilfong, III	D12/213
D340,220	S	* 10/1993	Rocamora et al.	D12/213
D343,379	S	* 1/1994	Dockins	D12/213
D371,337	S	* 7/1996	Williams	D12/213

D378,364	S	* 3/1997	Clifton	D12/213
D379,171	S	* 5/1997	Hope et al.	D12/213
D387,725	S	* 12/1997	Cochran et al.	D12/213
D418,102	S	* 12/1999	Schehr	D12/213
6,068,345	A	5/2000	Bressie	
D434,714	S	* 12/2000	White	D12/213
D438,835	S	* 3/2001	Maschino	D12/213

* cited by examiner

Primary Examiner—Stacia Cadmus

(74) *Attorney, Agent, or Firm*—Donald R. Schoonover

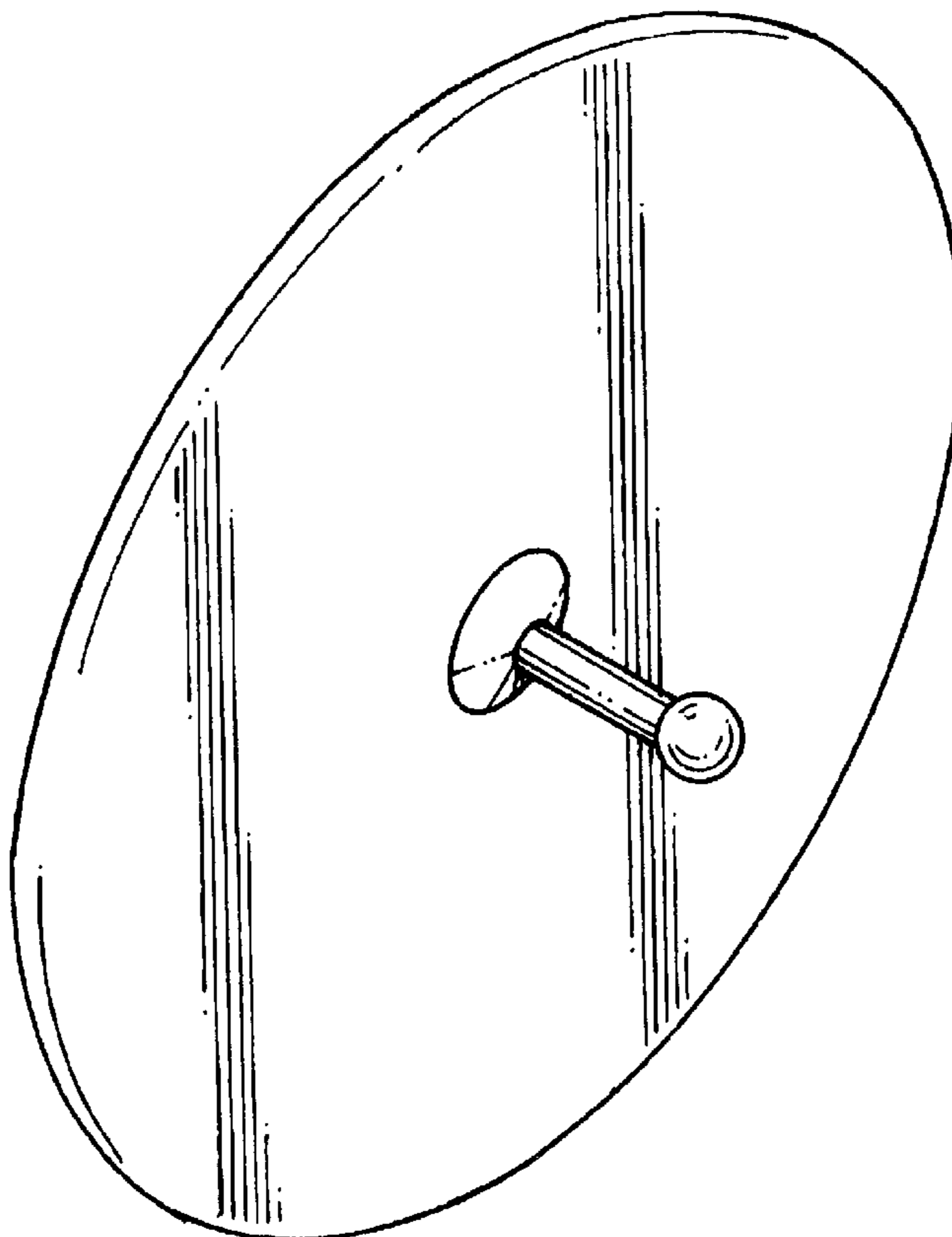
(57) **CLAIM**

I claim the ornamental design for a wheel shield with palm knob grip, as shown and described.

DESCRIPTION

FIG. 1 is a perspective view of a wheel shield with palm knob grip showing my new design;
FIG. 2 is a front elevational view thereof;
FIG. 3 is a rear elevational view thereof;
FIG. 4 is a side elevational view thereof, all other side elevational views being identical thereto; and,
FIG. 5 is a reduced perspective view showing the wheel shield with palm knob grip in use; the broken lines show environmental structure for illustrative purposes only and form no part of the claimed design.

1 Claim, 3 Drawing Sheets



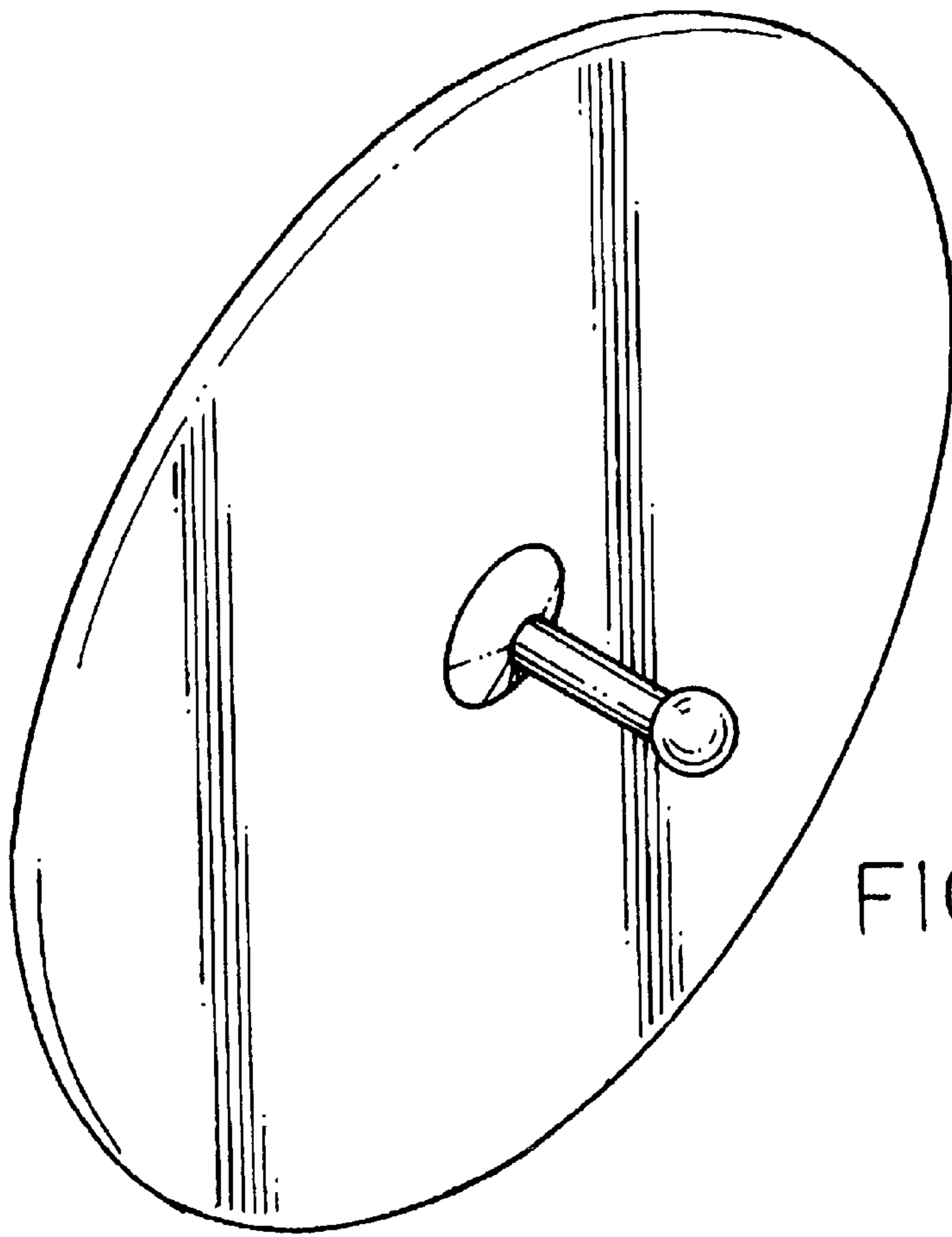


FIG. 1.

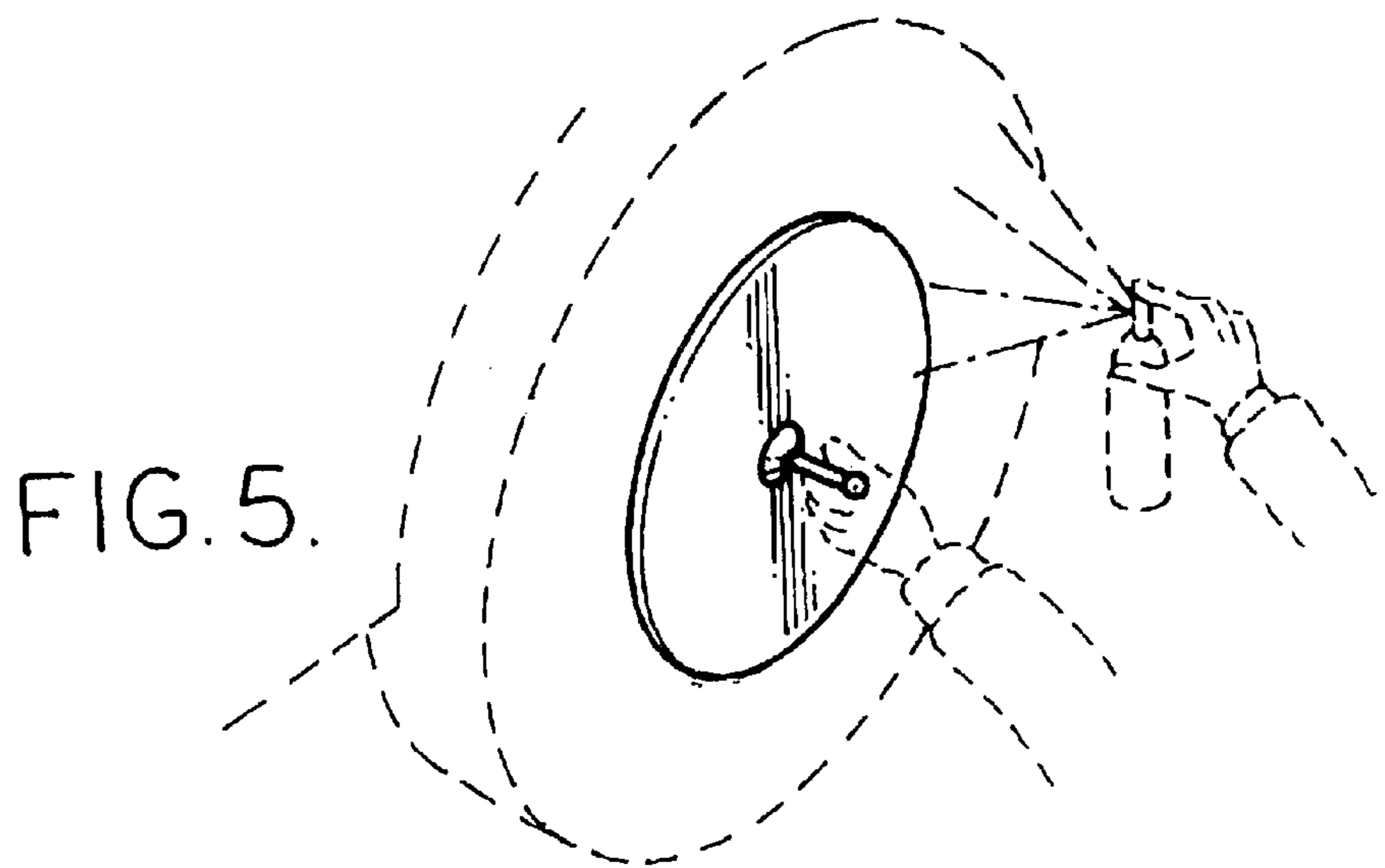


FIG. 5.

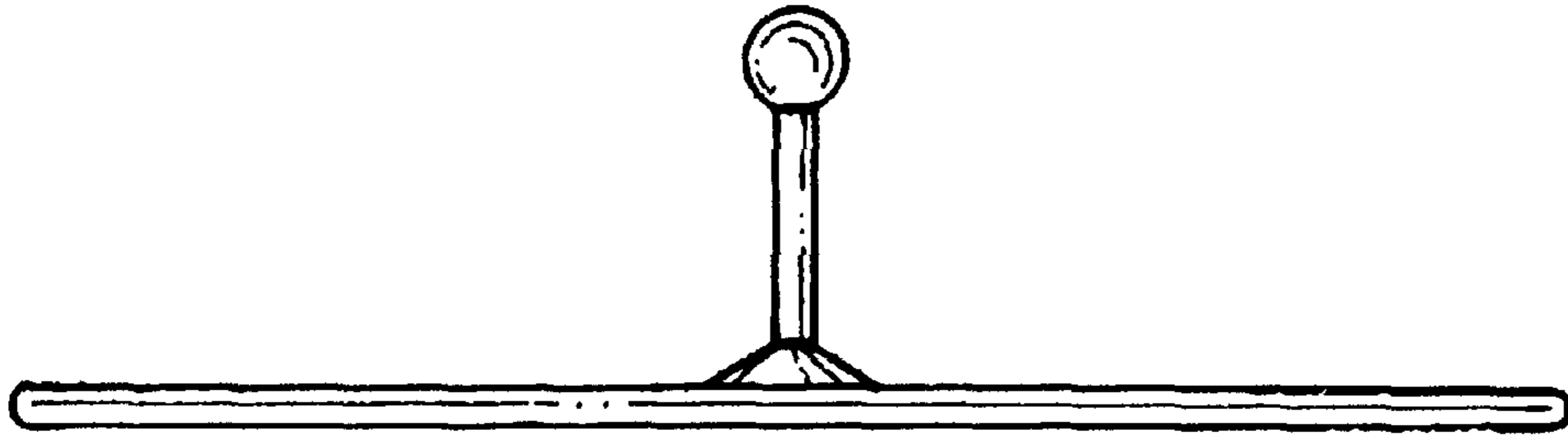


FIG. 4.

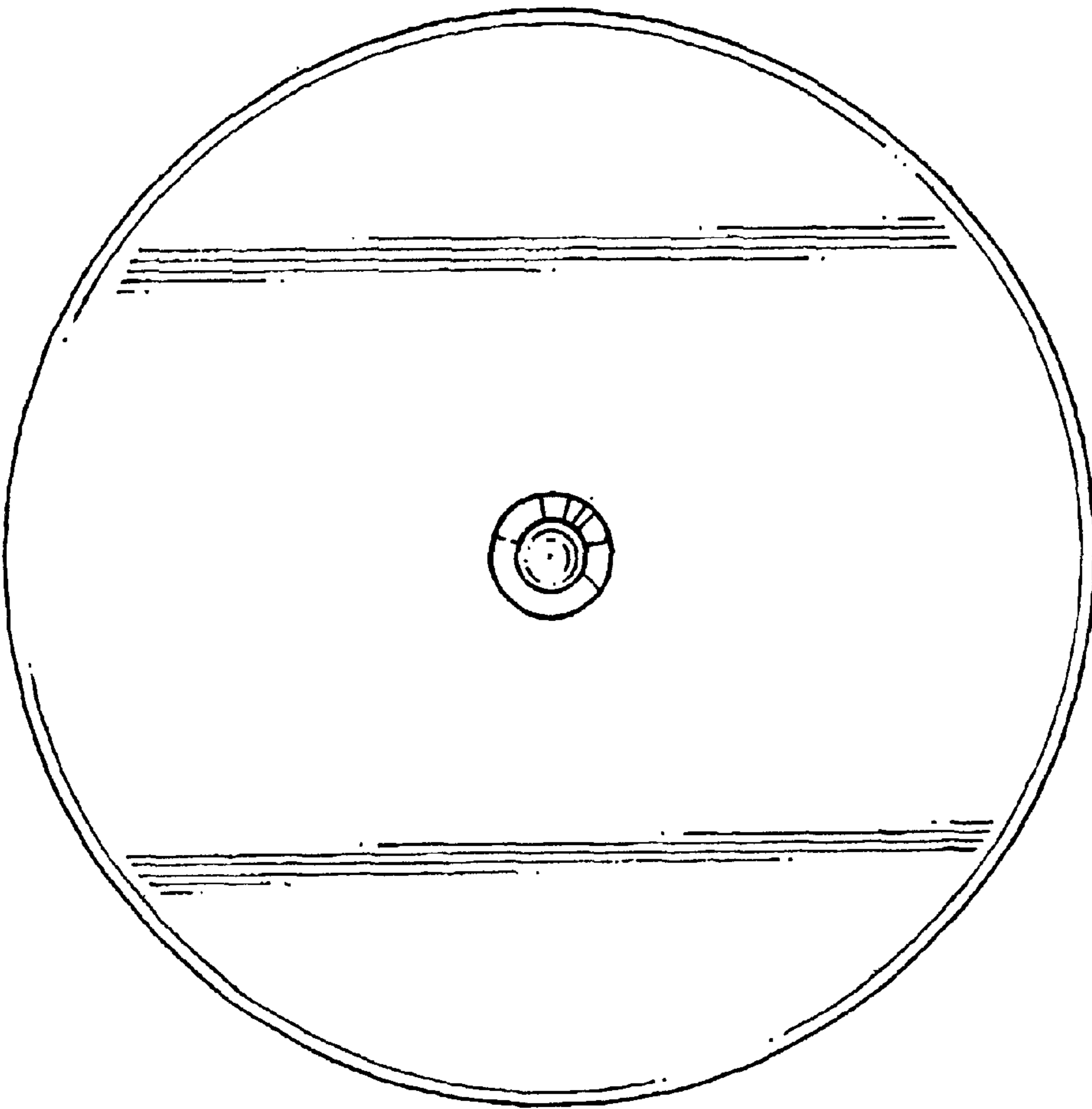


FIG. 2.

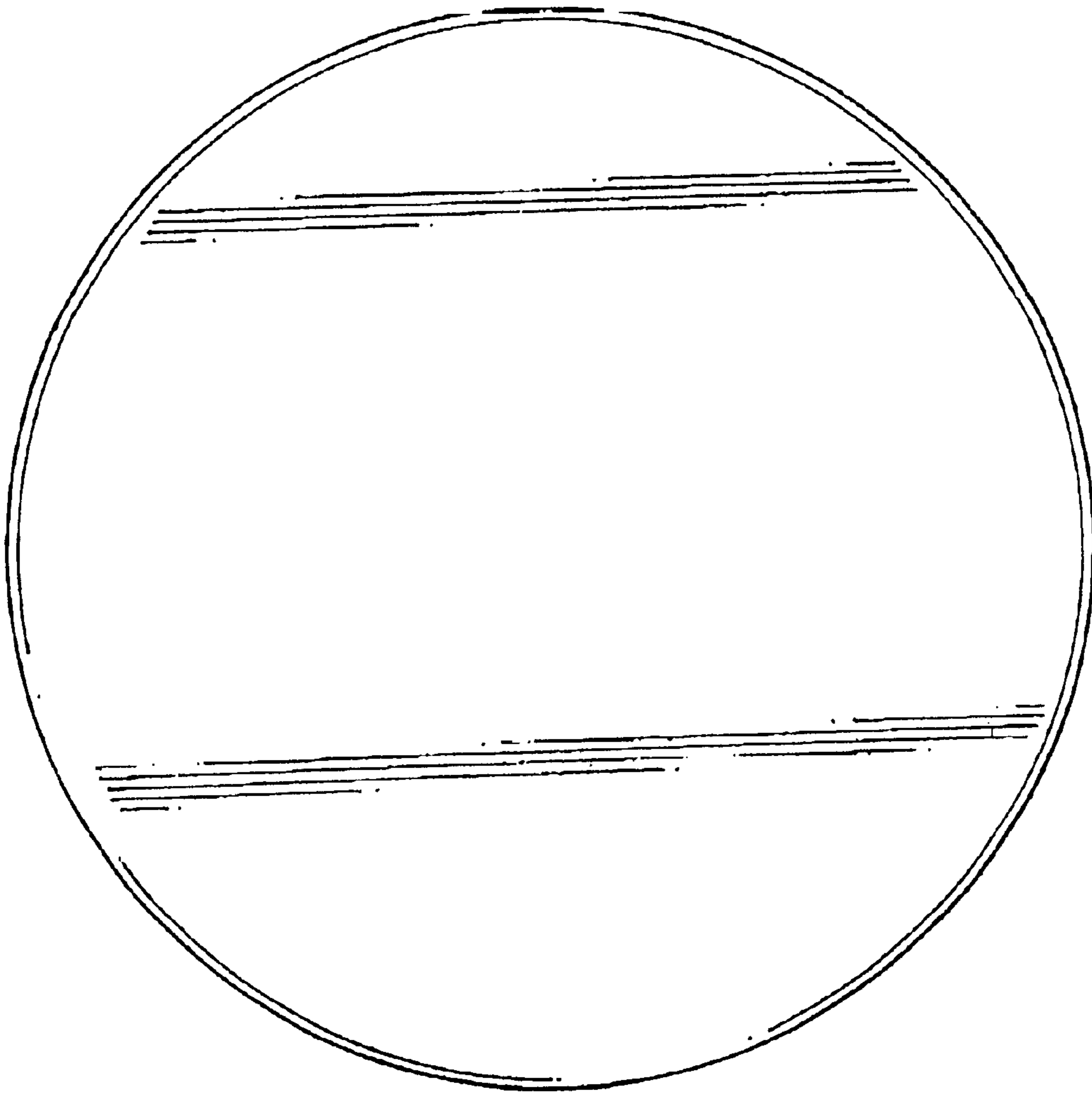


FIG. 3.