



US00D477798S

(12) **United States Design Patent**  
**Bean et al.**

(10) **Patent No.:** **US D477,798 S**

(45) **Date of Patent:** **\*\* Jul. 29, 2003**

(54) **CYCLE HANDLE BAR**

5,257,553 A \* 11/1993 Cheng ..... 74/551.8  
D420,310 S \* 2/2000 Spriggs et al. .... D12/111

(75) Inventors: **Andrew J. Bean**, Cincinnati, OH (US);  
**Craig A. Armstrong**, Cincinnati, OH  
(US); **Stephen A. Stickel**, Columbus,  
IN (US)

\* cited by examiner

*Primary Examiner*—Alan P. Douglas  
*Assistant Examiner*—Linda Brooks  
(74) *Attorney, Agent, or Firm*—Barnes & Thornburg

(73) Assignee: **Cosco Management, Inc.**, Wilmington,  
DE (US)

(57) **CLAIM**

(\*\*) Term: **14 Years**

The ornamental design for a cycle handle bar, as shown and described.

(21) Appl. No.: **29/156,000**

**DESCRIPTION**

(22) Filed: **Feb. 21, 2002**

(51) **LOC (7) Cl.** ..... **12-16**

(52) **U.S. Cl.** ..... **D12/178**

(58) **Field of Search** ..... D12/110–112,  
D12/114, 117–119, 178; 280/274–280,  
281.1, 282–288, 288.1–288.4; 180/219;  
74/551.1–551.9

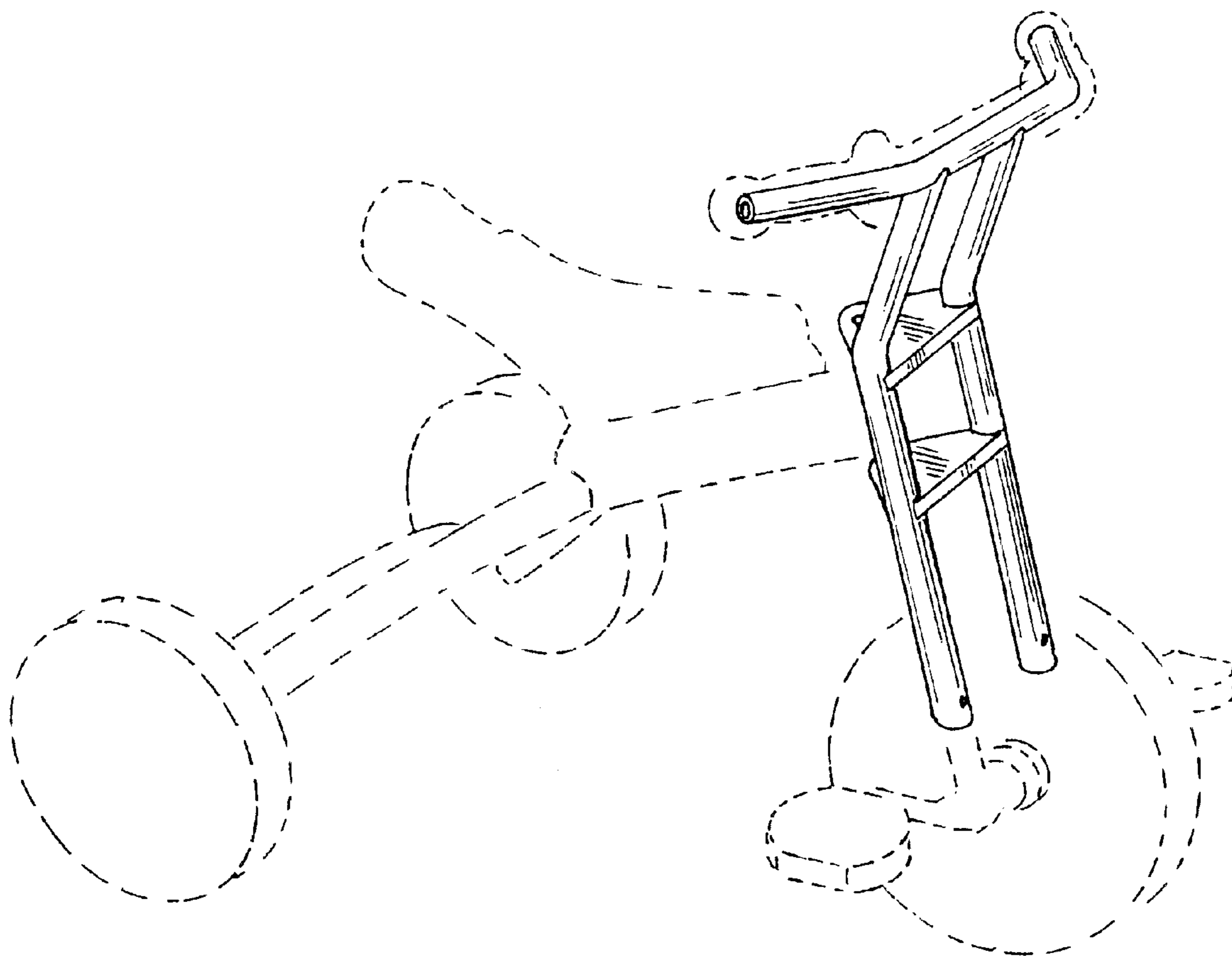
FIG. 1 is a perspective view of a cycle handle bar showing our new design, with broken lines illustrating environmental structure and forming no part of the claimed design; FIG. 2 is an enlarged front view thereof; FIG. 3 is an enlarged left-side view thereof, with the right-side view being a mirror image thereof; FIG. 4 is an enlarged top view thereof; FIG. 5 is an enlarged bottom view thereof; and, FIG. 6 is an enlarged rear view thereof.

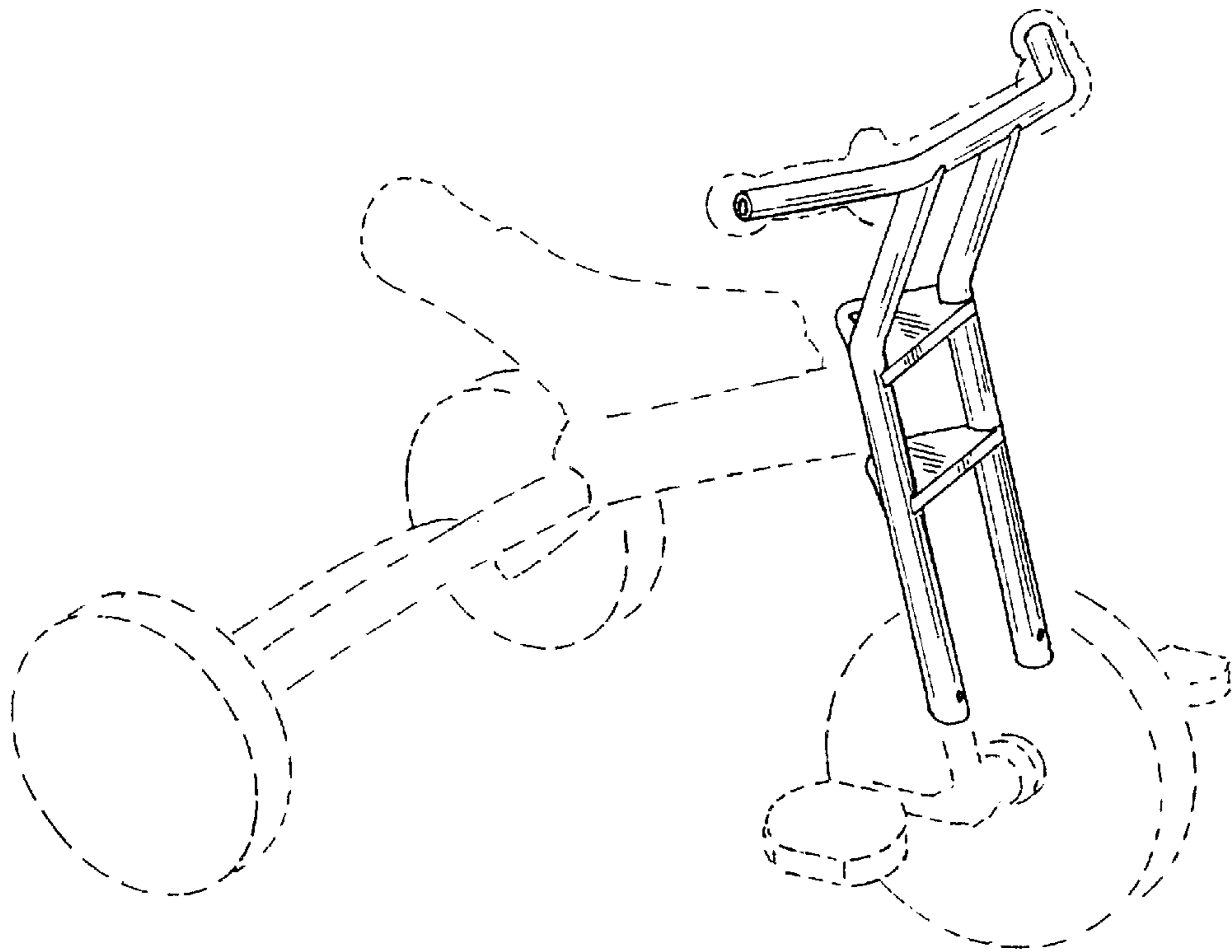
(56) **References Cited**

**U.S. PATENT DOCUMENTS**

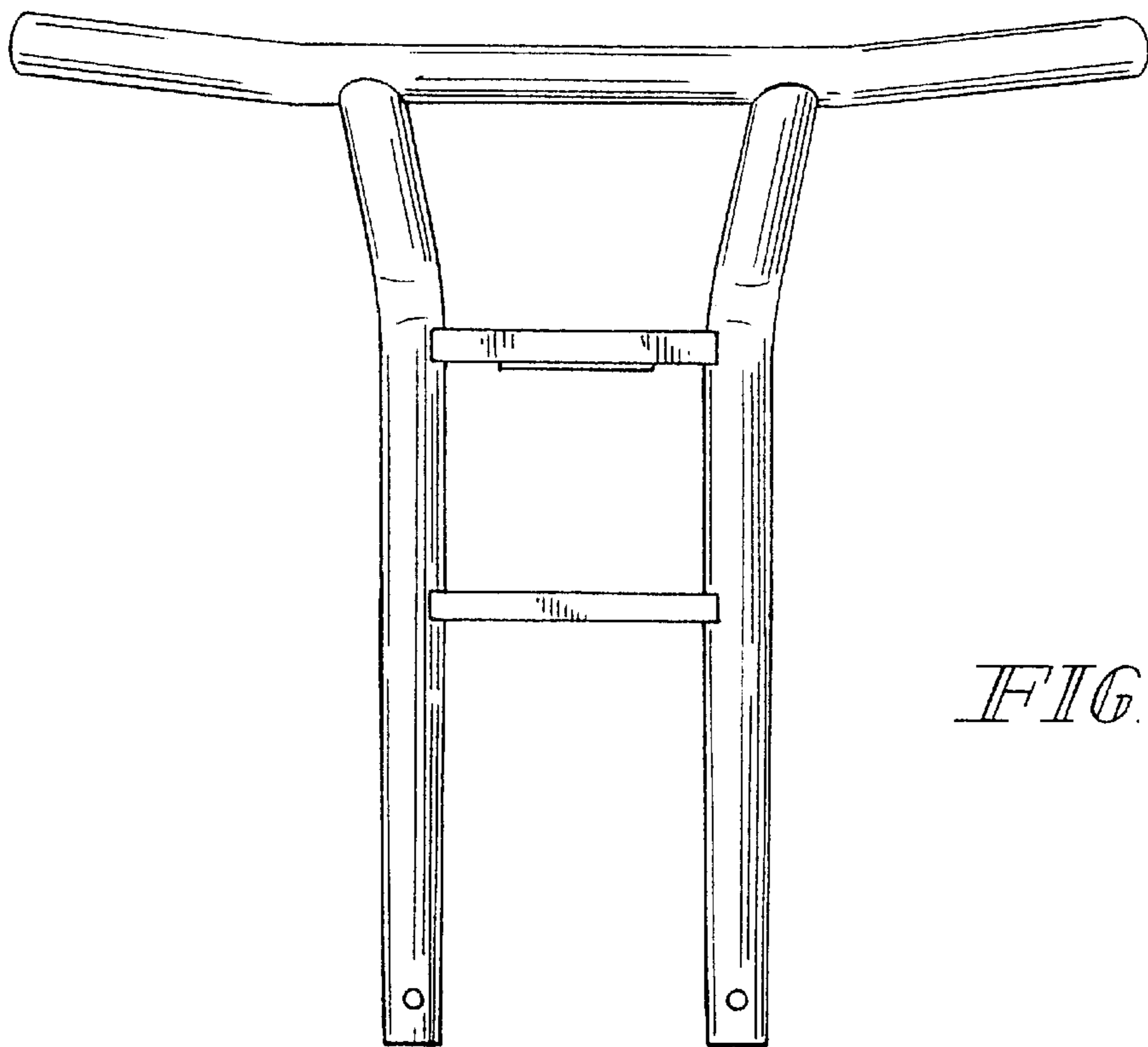
4,168,846 A \* 9/1979 Carren ..... 280/278

**1 Claim, 3 Drawing Sheets**

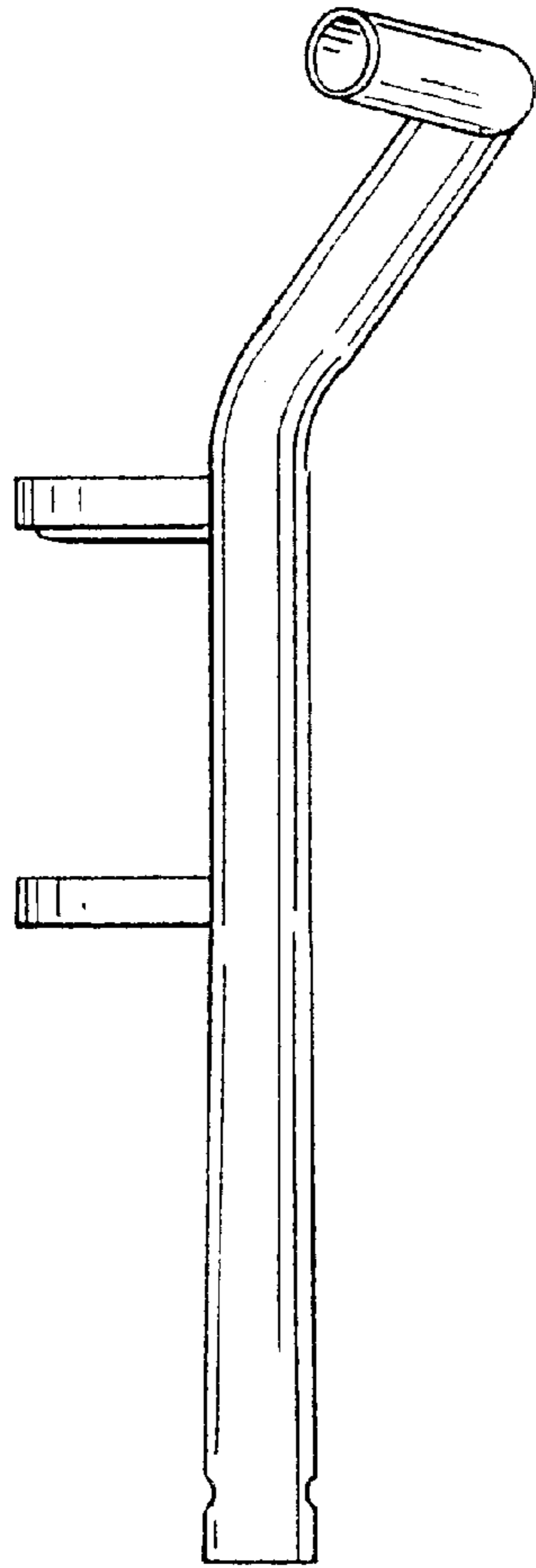




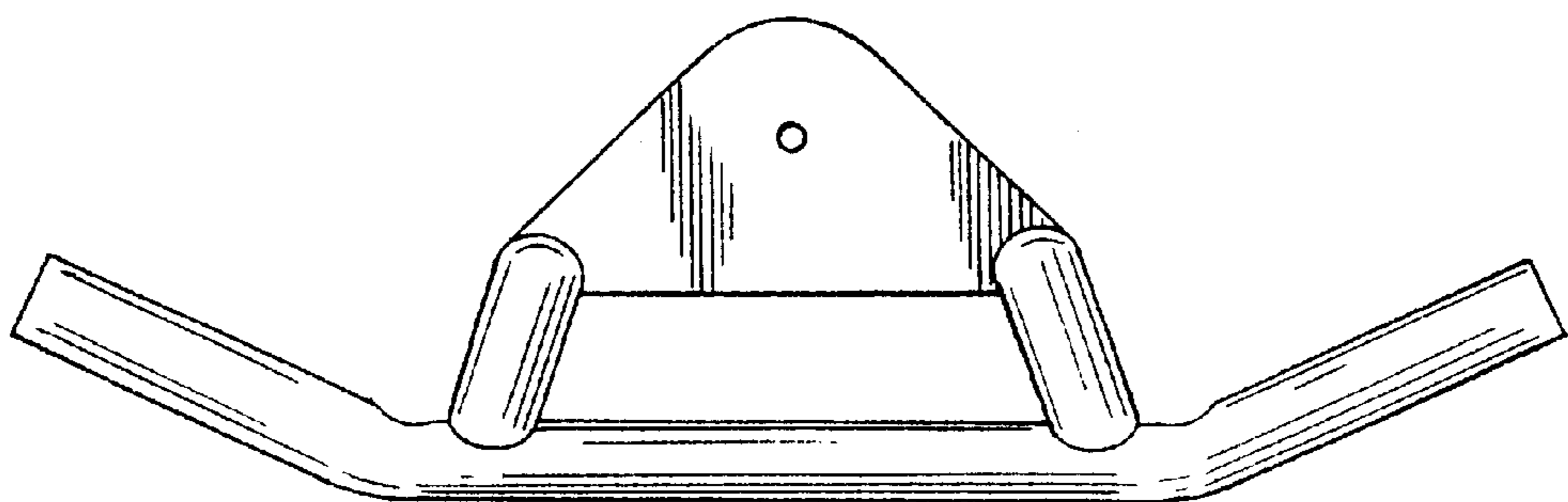
*FIG. 1*



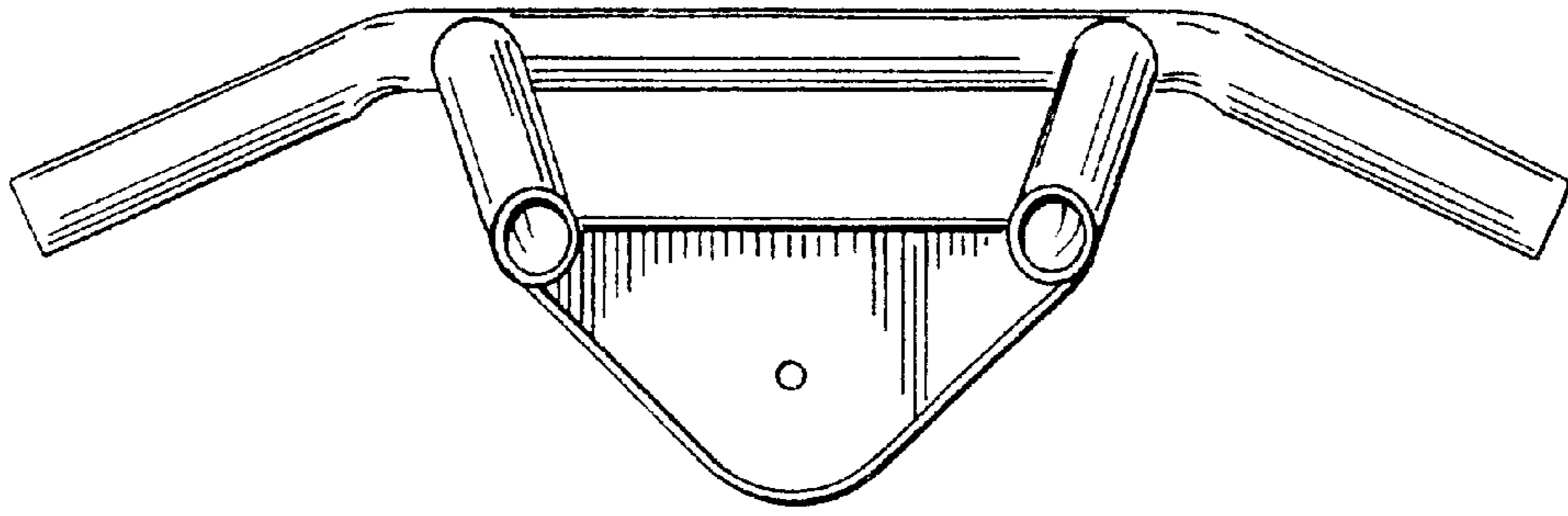
*FIG. 2*



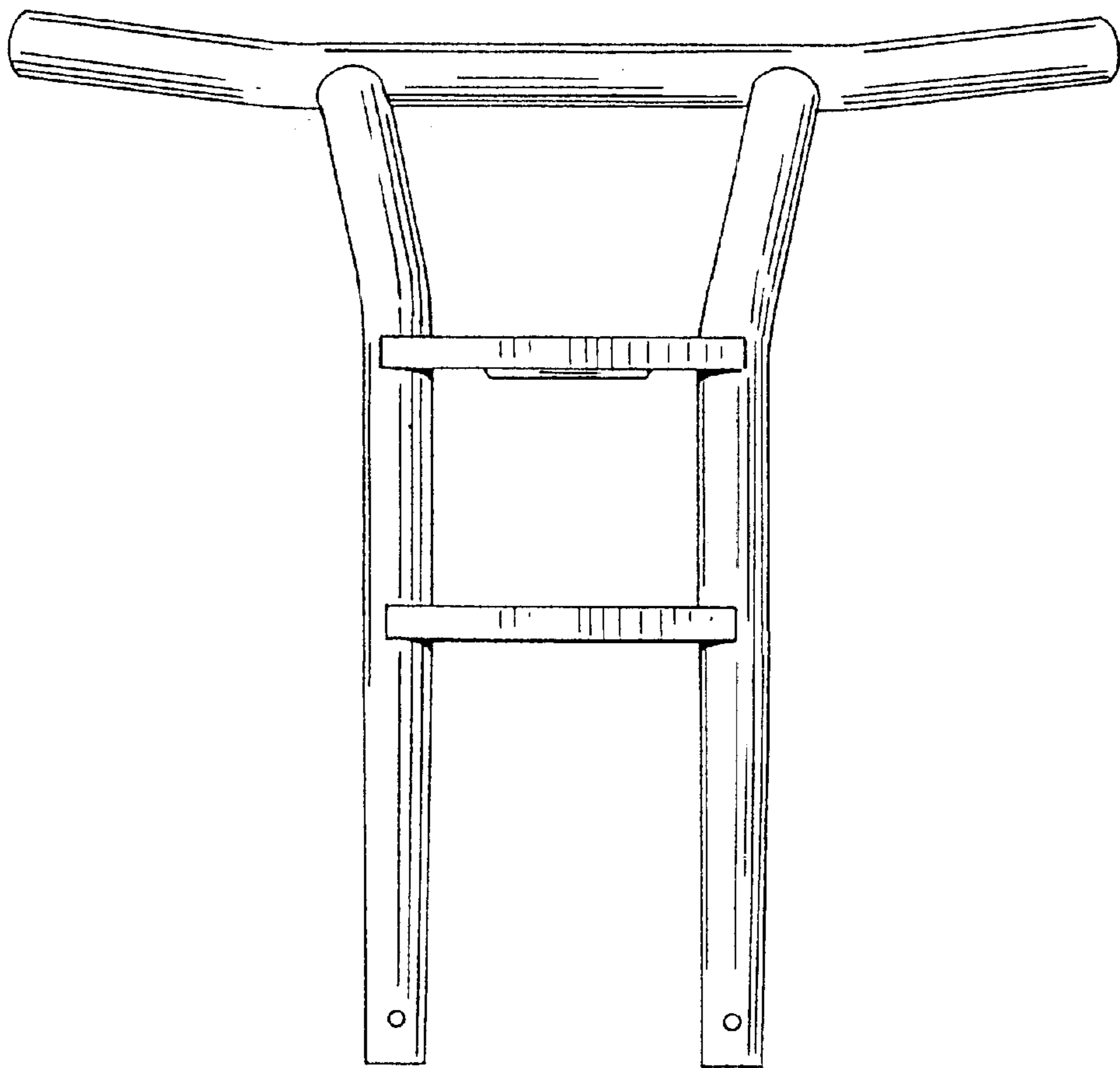
*FIG. 3*



*FIG. 4*



*FIG. 5*



*FIG. 6*