



US00D47797S

(12) **United States Design Patent**
McCoy et al.

(10) **Patent No.:** **US D477,797 S**

(45) **Date of Patent:** **** Jul. 29, 2003**

- (54) **SINGLE-WHEEL TRAILER**
- (75) Inventors: **Richard W. McCoy**, Granger, IN (US);
Katherine A. Adams, Mishawaka, IN (US); **John J. Kass**, Granger, IN (US);
Jason R. Moldthan, Osceola, IN (US)
- (73) Assignee: **Cequent Towing Products, Inc.**,
Plymouth, MI (US)
- (**) Term: **14 Years**
- (21) Appl. No.: **29/166,876**
- (22) Filed: **Sep. 5, 2002**
- (51) **LOC (7) Cl.** **12-10**
- (52) **U.S. Cl.** **D12/101**
- (58) **Field of Search** D12/101; 280/63,
280/78, 789, 650, 414.5, 204, 492, 494

4,426,097	A	1/1984	Livingston	
4,437,676	A	3/1984	Kittrell	
D281,312	S	* 11/1985	Russell	D12/101
4,567,844	A	* 2/1986	Johnson	D12/101 X
4,744,582	A	5/1988	Wykhuis et al.	
4,756,541	A	7/1988	Albitre	
5,011,170	A	4/1991	Forbes et al.	
5,067,738	A	11/1991	O'Connor	
5,098,113	A	3/1992	Albitre	
5,240,266	A	8/1993	Kelley et al.	
5,368,325	A	11/1994	Hazen	
5,641,173	A	6/1997	Cobb, Jr.	
5,791,670	A	8/1998	Hunker	
5,984,342	A	11/1999	Ysker	
6,042,138	A	* 3/2000	Shreck	280/492
6,182,990	B1	2/2001	Everett	
6,349,955	B1	2/2002	Cottard et al.	
6,470,981	B1	* 10/2002	Sueshige et al.	280/786
2001/0026055	A1	10/2001	Havener	
2001/0038190	A1	11/2001	Provencher	

* cited by examiner

Primary Examiner—Melody N. Brown
(74) *Attorney, Agent, or Firm*—King & Schickli, PLLC

(56) **References Cited**
U.S. PATENT DOCUMENTS

1,401,786	A	12/1921	Kapferer
1,794,630	A	3/1931	Linn
1,880,703	A	10/1932	Bischoff et al.
1,968,046	A	7/1934	Linn
2,009,548	A	7/1935	Goin et al.
2,027,127	A	1/1936	Tastenhoye
2,033,298	A	3/1936	Pribil
RE20,292	E	3/1937	Brown
2,157,186	A	5/1939	Pinter, Sr. et al.
2,494,421	A	1/1950	Wittke
2,564,996	A	8/1951	Rasbach
2,826,425	A	3/1958	Hoeper
2,834,632	A	5/1958	Mattox
3,263,383	A	8/1966	Foster
3,877,714	A	4/1975	Black
3,917,316	A	11/1975	Furnish
3,944,259	A	3/1976	Miller
4,266,793	A	5/1981	Pryor
D260,011	S	7/1981	Williams
4,372,569	A	2/1983	Otterson
4,403,802	A	9/1983	Jones

(57) **CLAIM**

The ornamental design of a single-wheel trailer, as shown and described.

DESCRIPTION

FIG. 1 is a perspective view of the single-wheel trailer of the present invention;
FIG. 2 is a top plan view thereof;
FIG. 3 is a bottom plan view thereof;
FIG. 4 is a left side elevational view thereof;
FIG. 5 is a right side elevational view thereof;
FIG. 6 is a front elevational view thereof; and,
FIG. 7 is a rear elevational view thereof.
The wheel shown in broken lines throughout the drawing views is for illustrative purposes only and forms no part of the claimed design.

1 Claim, 4 Drawing Sheets

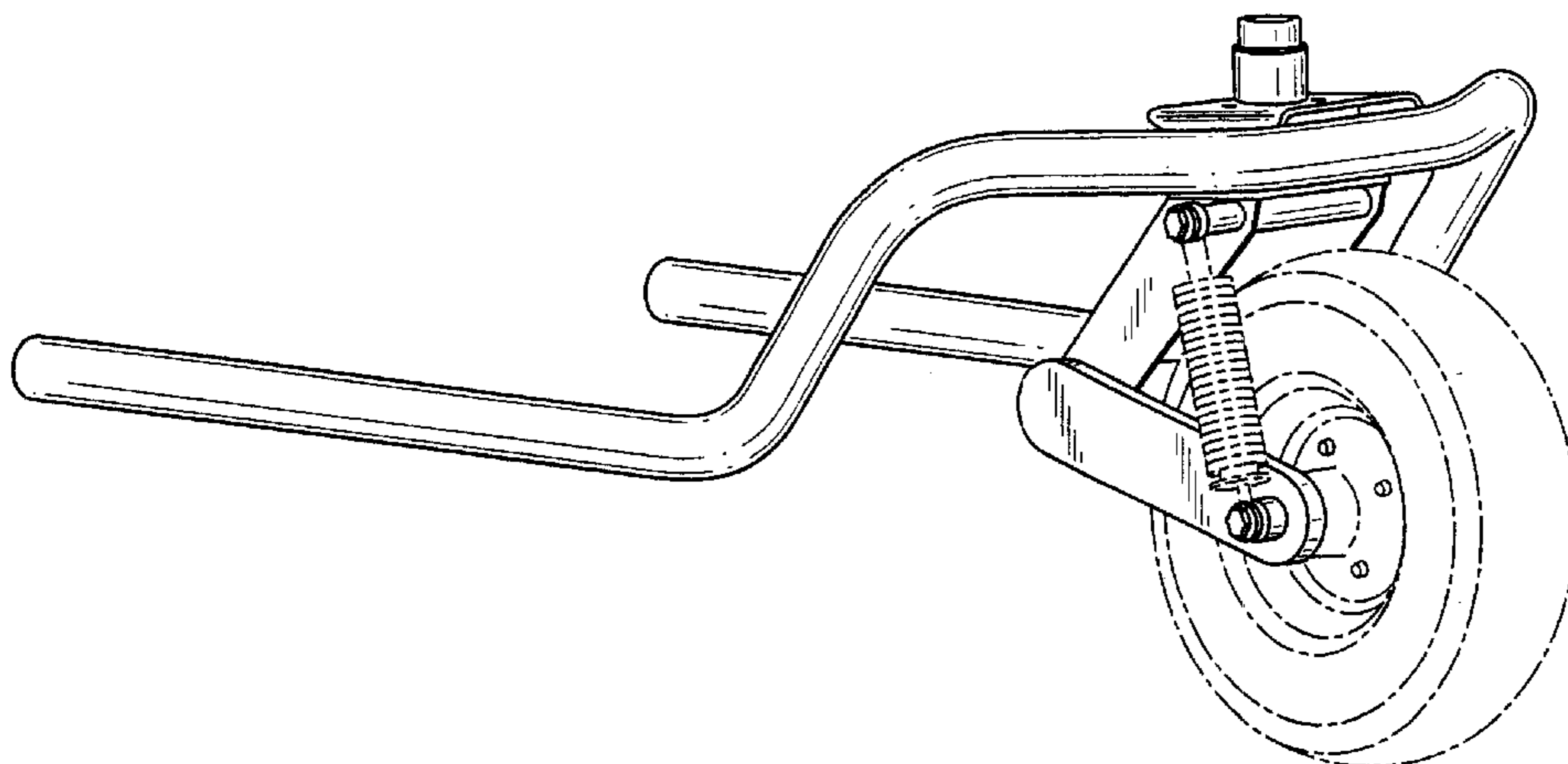


FIG. 1

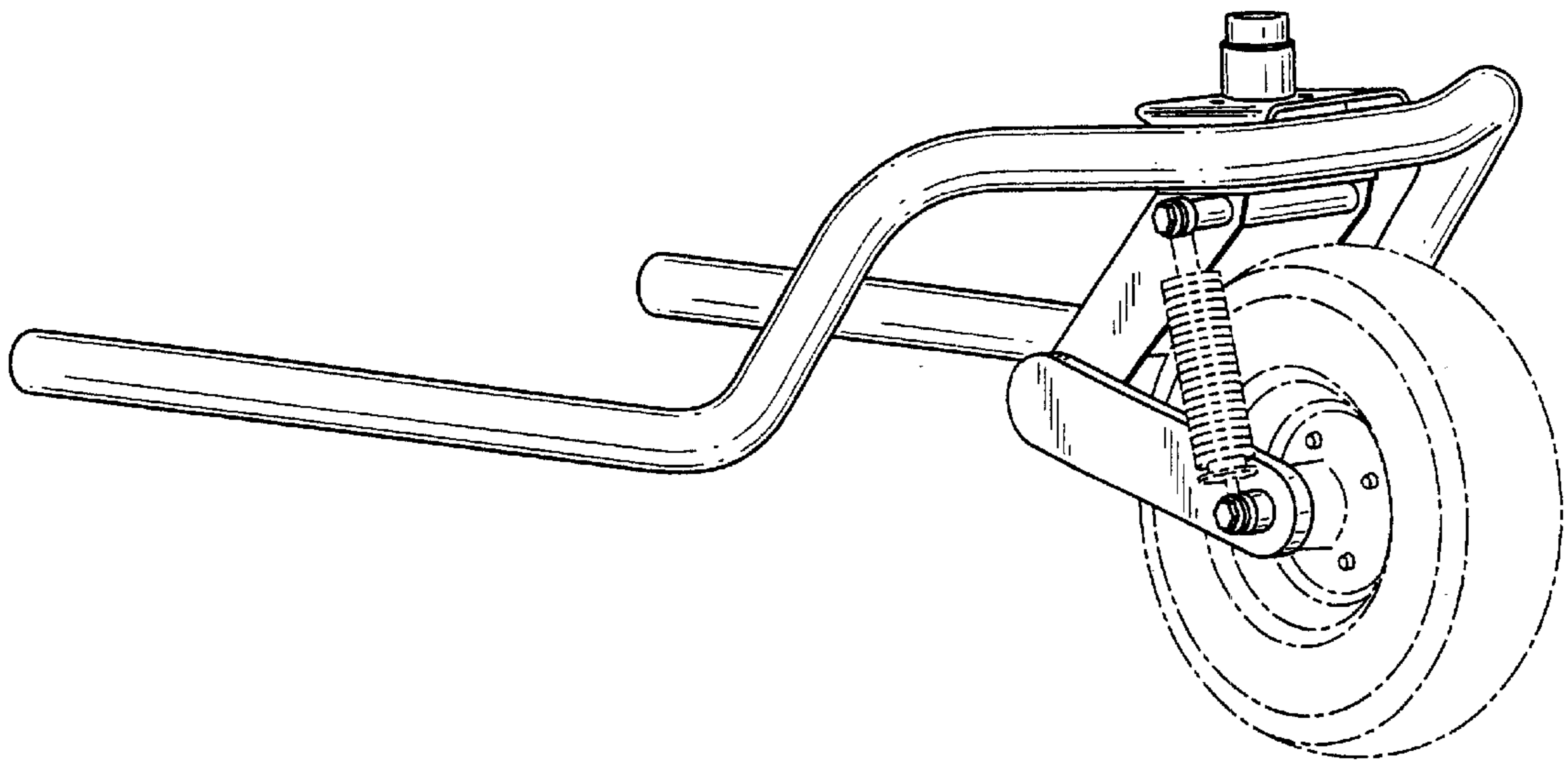


FIG. 2

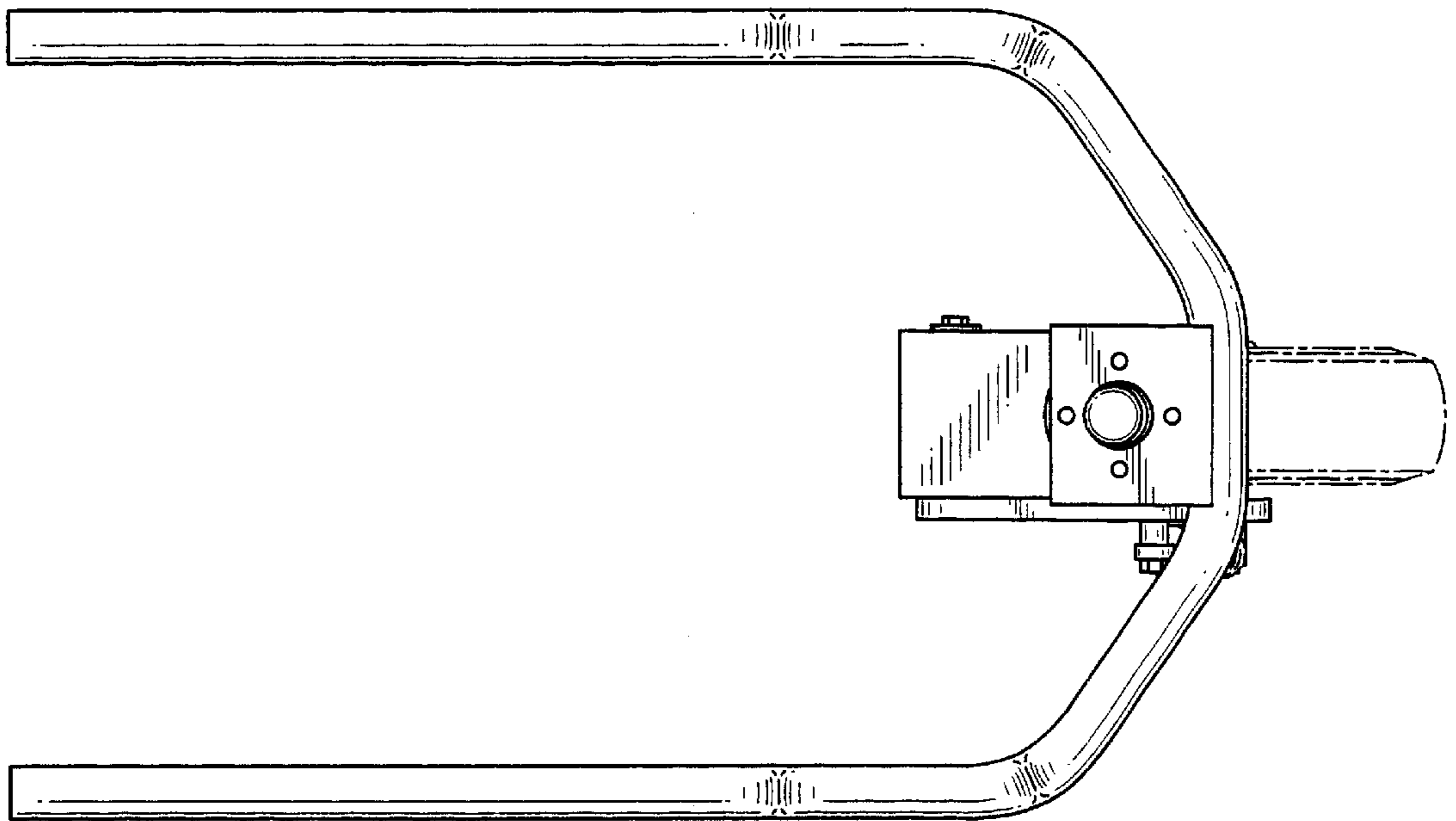


FIG. 3

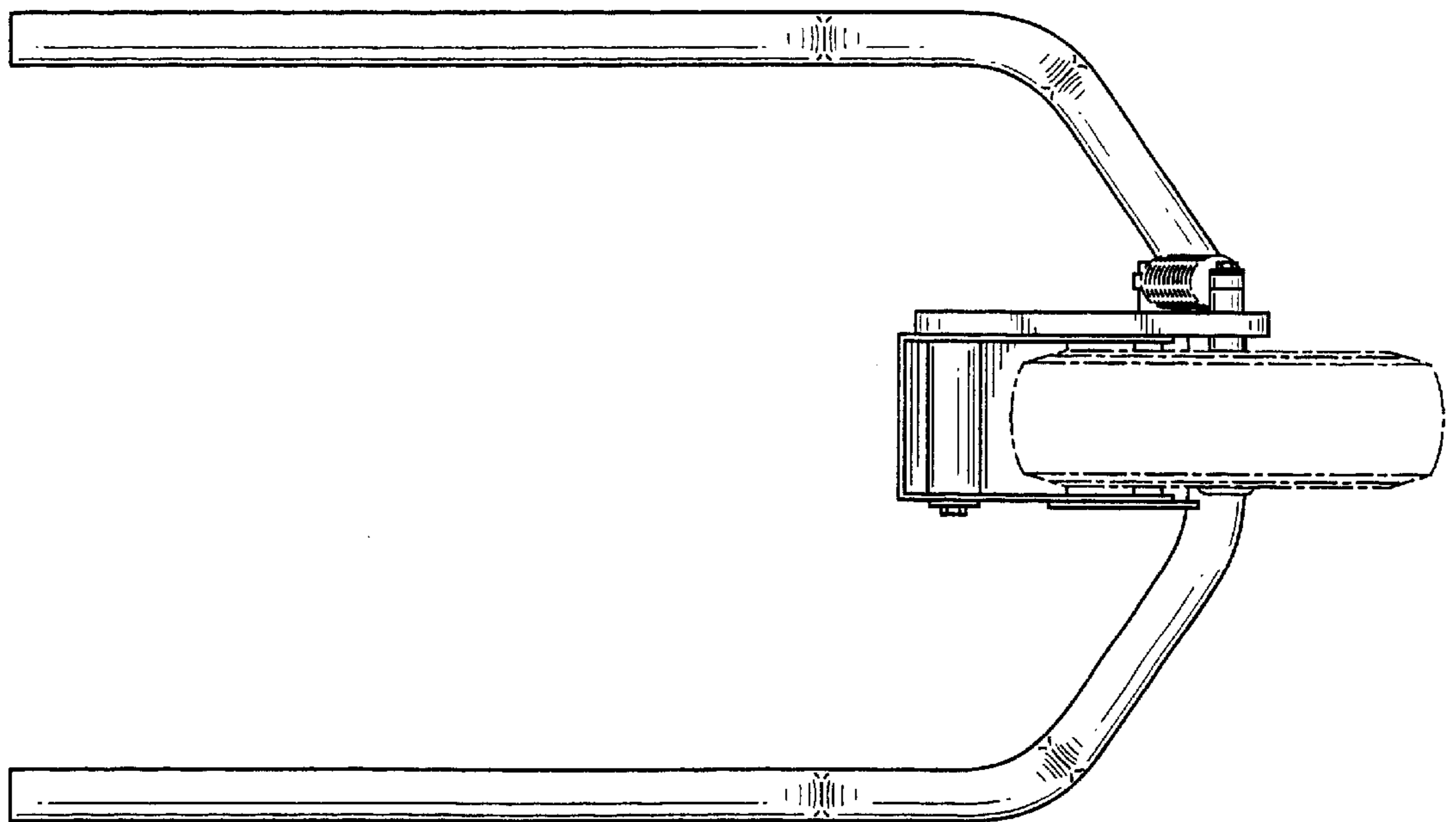


FIG. 4

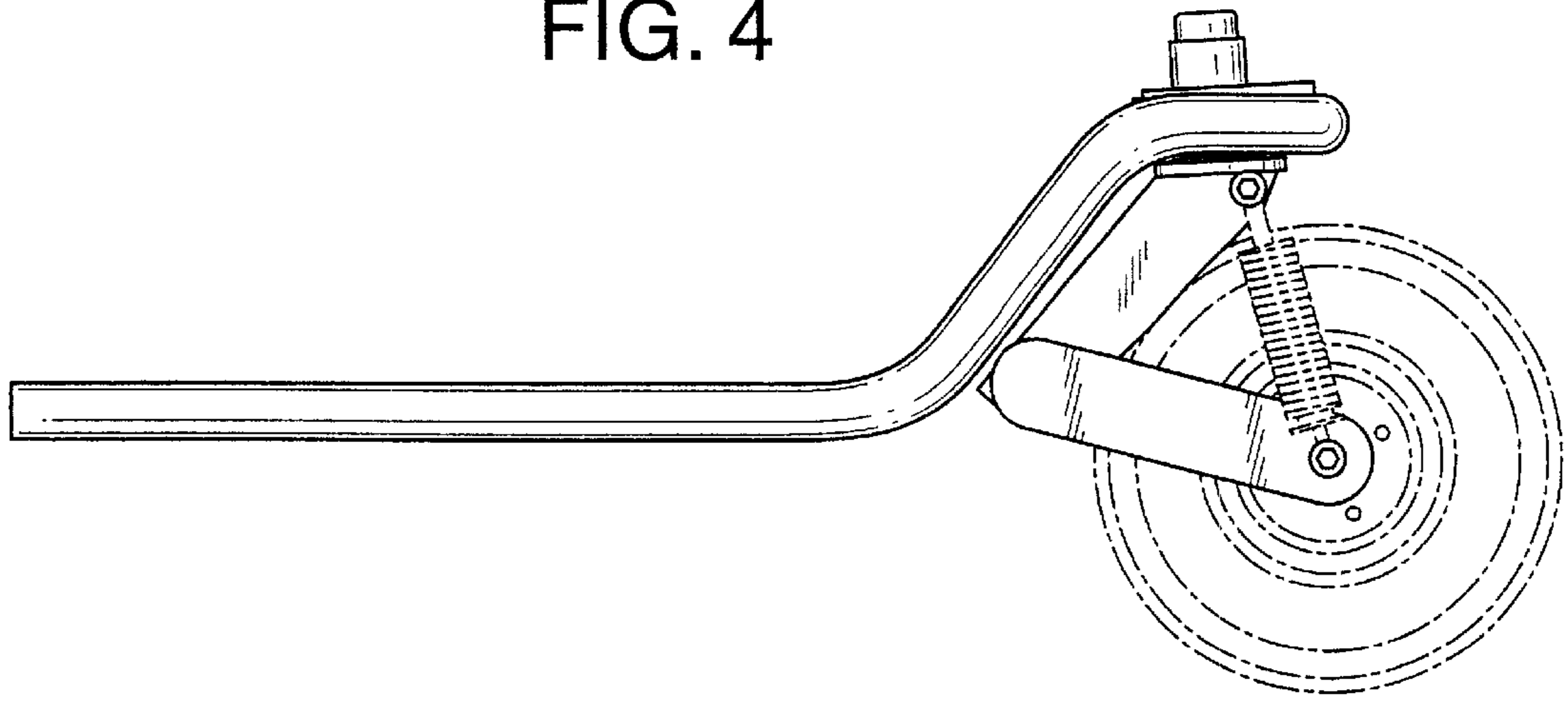


FIG. 5

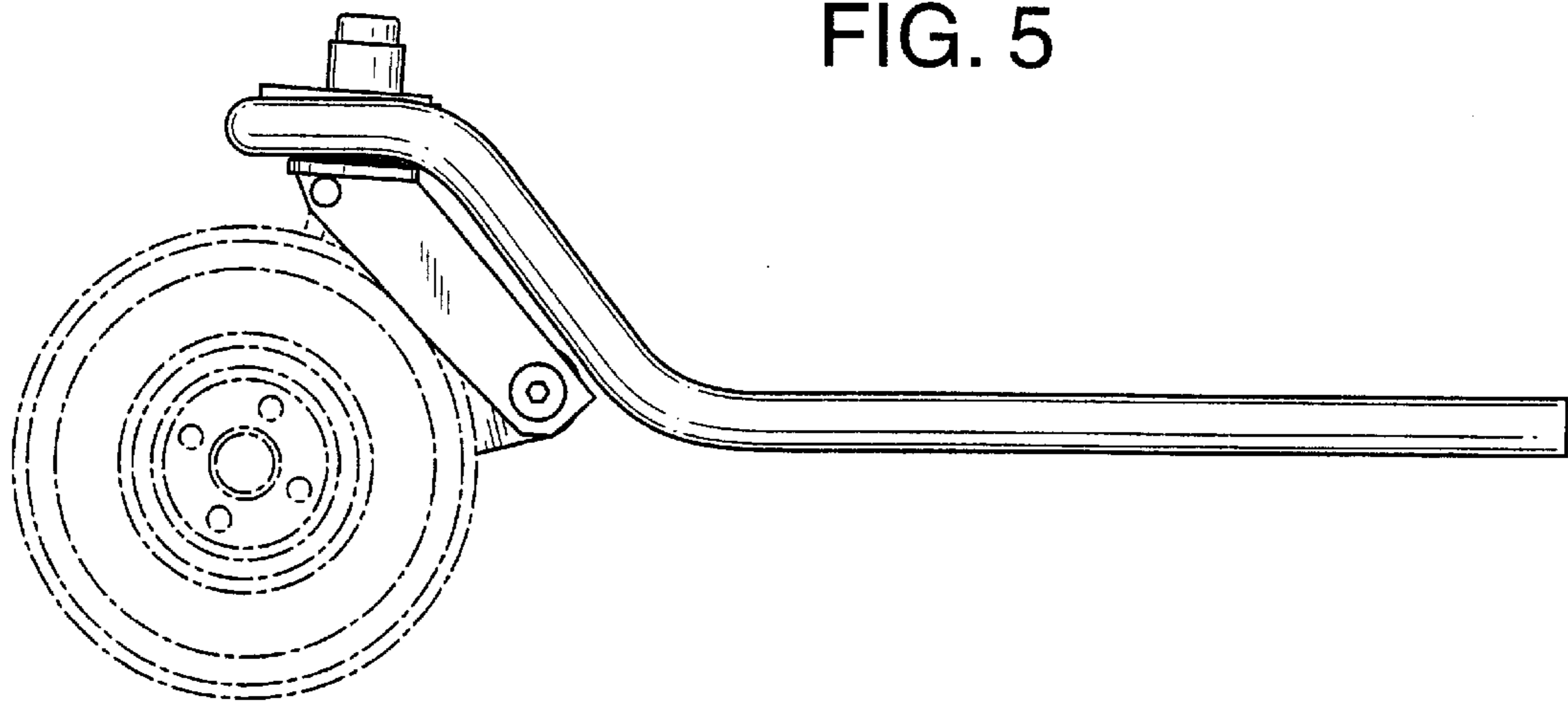


FIG. 6

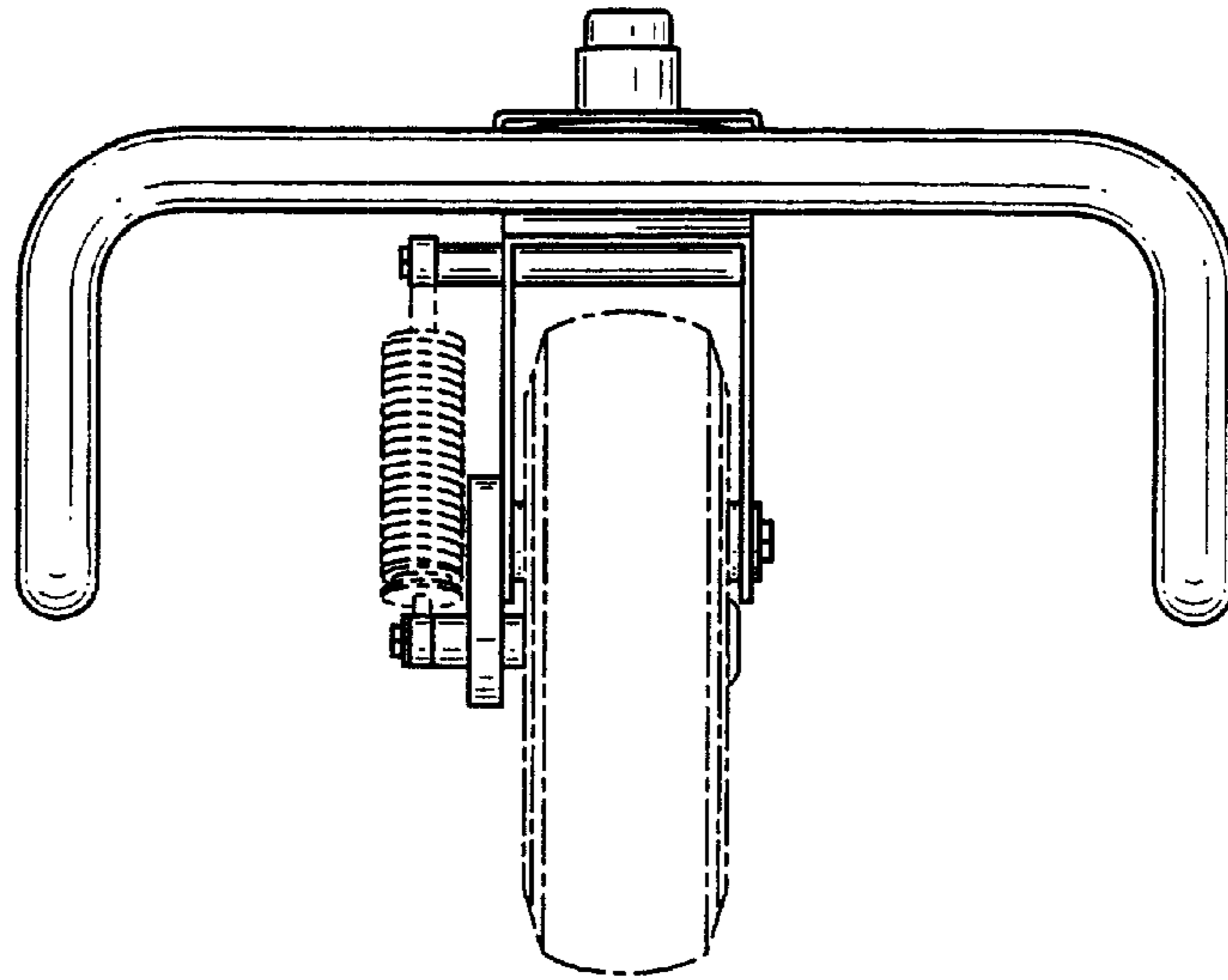


FIG. 7

