



US00D477783S

(12) **United States Design Patent**  
**Gilmore et al.**

(10) **Patent No.:** **US D477,783 S**  
(45) **Date of Patent:** **\*\* Jul. 29, 2003**

(54) **CONTAINER**

(75) Inventors: **Arthur Gilmore**, Centerport, NY (US);  
**Louis Lombardi**, Briarwood, NY (US);  
**Klaus Rosburg**, Brooklyn, NY (US)

(73) Assignee: **Texaco Inc.**, White Plains, NY (US)

(\*\*) Term: **14 Years**

(21) Appl. No.: **29/134,353**

(22) Filed: **Dec. 21, 2000**

(51) **LOC (7) Cl.** ..... **09-01**

(52) **U.S. Cl.** ..... **D9/523; D9/570; D9/575;**  
D9/547

(58) **Field of Search** ..... D9/516, 520, 523,  
D9/530, 531, 538, 540, 541, 543, 549,  
551, 557, 564, 570, 574, 575; 215/381-385,  
396, 398

(56) **References Cited**

**U.S. PATENT DOCUMENTS**

D60,342 S	2/1922	Haskell	
D97,825 S	12/1935	Smith	
D99,650 S	5/1936	Robinson	
D103,520 S	3/1937	Smith	
D192,268 S	2/1962	Sterges et al.	
D193,030 S	6/1962	Douglas et al.	
D195,064 S	4/1963	Dike	
D195,181 S	* 5/1963	Dike	D9/523
D195,367 S	6/1963	Lonker	
D195,600 S	7/1963	Neyman	
D196,002 S	8/1963	Koenigsberg	
D196,752 S	10/1963	Koenigsberg	
D200,013 S	1/1965	Lorenzen	
D201,213 S	* 5/1965	Petitto	D9/523
D207,678 S	* 5/1967	Cunningham	D9/531
D249,229 S	9/1978	Schacher et al.	
D266,095 S	9/1982	Hara	
D275,078 S	8/1984	Wassergord et al.	
D287,937 S	* 1/1987	Sargent et al.	D9/523
D292,968 S	12/1987	Darr	
D294,802 S	3/1988	Beaver	
D295,955 S	5/1988	LeFevre	

D304,158 S	10/1989	Kleinert	
D304,159 S	10/1989	Kleinert	
4,877,142 A	10/1989	Doering	
D307,553 S	* 5/1990	Matthews et al.	D9/547
D308,332 S	6/1990	Haworth	
D309,100 S	* 7/1990	Beaver	D9/523
4,949,861 A	8/1990	Cochran	
D315,671 S	3/1991	Zaragoza	
D318,615 S	* 7/1991	Martin	D9/528
D334,343 S	3/1993	Leslie et al.	

(List continued on next page.)

*Primary Examiner*—Ted Shooman

*Assistant Examiner*—Carol Rademaker

(74) *Attorney, Agent, or Firm*—Morris N. Reinisch; Pennie & Edmonds

(57) **CLAIM**

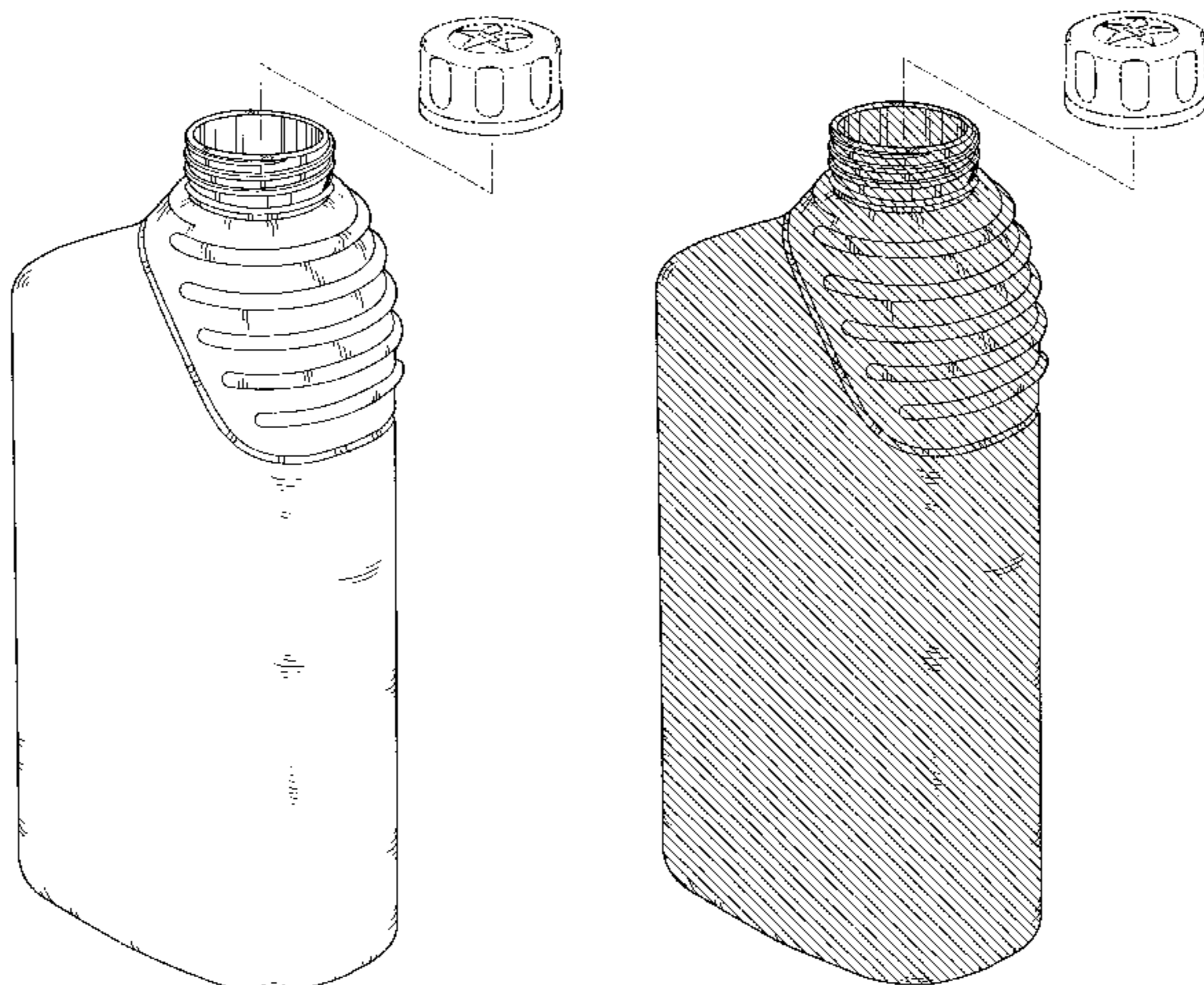
The ornamental design for a container, as shown and described.

**DESCRIPTION**

FIG. 1 is a front, perspective view of a first embodiment of the container of the present invention;  
 FIG. 2 is a side view thereof;  
 FIG. 3 is an opposite side view thereof;  
 FIG. 4 is a rear, elevational view thereof;  
 FIG. 5 is a front, elevational view thereof;  
 FIG. 6 is a top view thereof;  
 FIG. 7 is a bottom view thereof;  
 FIG. 7 is a front, perspective view of a second embodiment of the container of the present invention;  
 FIG. 8 is a side view thereof;  
 FIG. 9 is an opposite side view thereof;  
 FIG. 10 is a rear, elevational view thereof;  
 FIG. 11 is a front, elevational view thereof; and,  
 FIG. 12 is a top view thereof.

The broken lines showing a cap for use with the container in FIGS. 1-12 are for illustrative purposes only and form no part of the claimed design. In the second embodiment shown in FIGS. 7-12, a portion of the container is cross-hatched to represent that it is of a contrasting color from an uncross-hatched stripe of the container; however the particular color of the cross-hatched portion is not claimed.

**1 Claim, 10 Drawing Sheets**



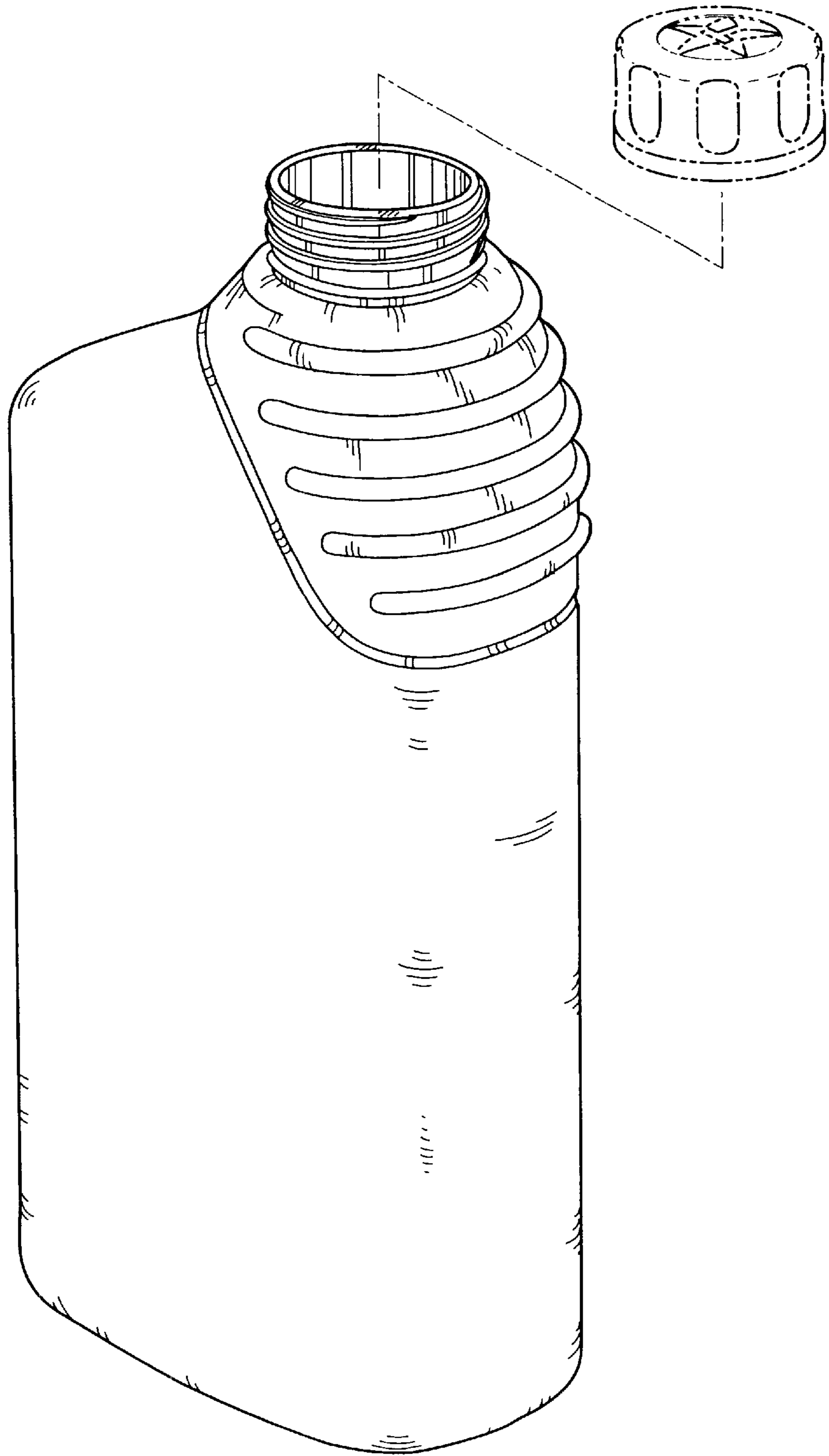
# US D477,783 S

Page 2

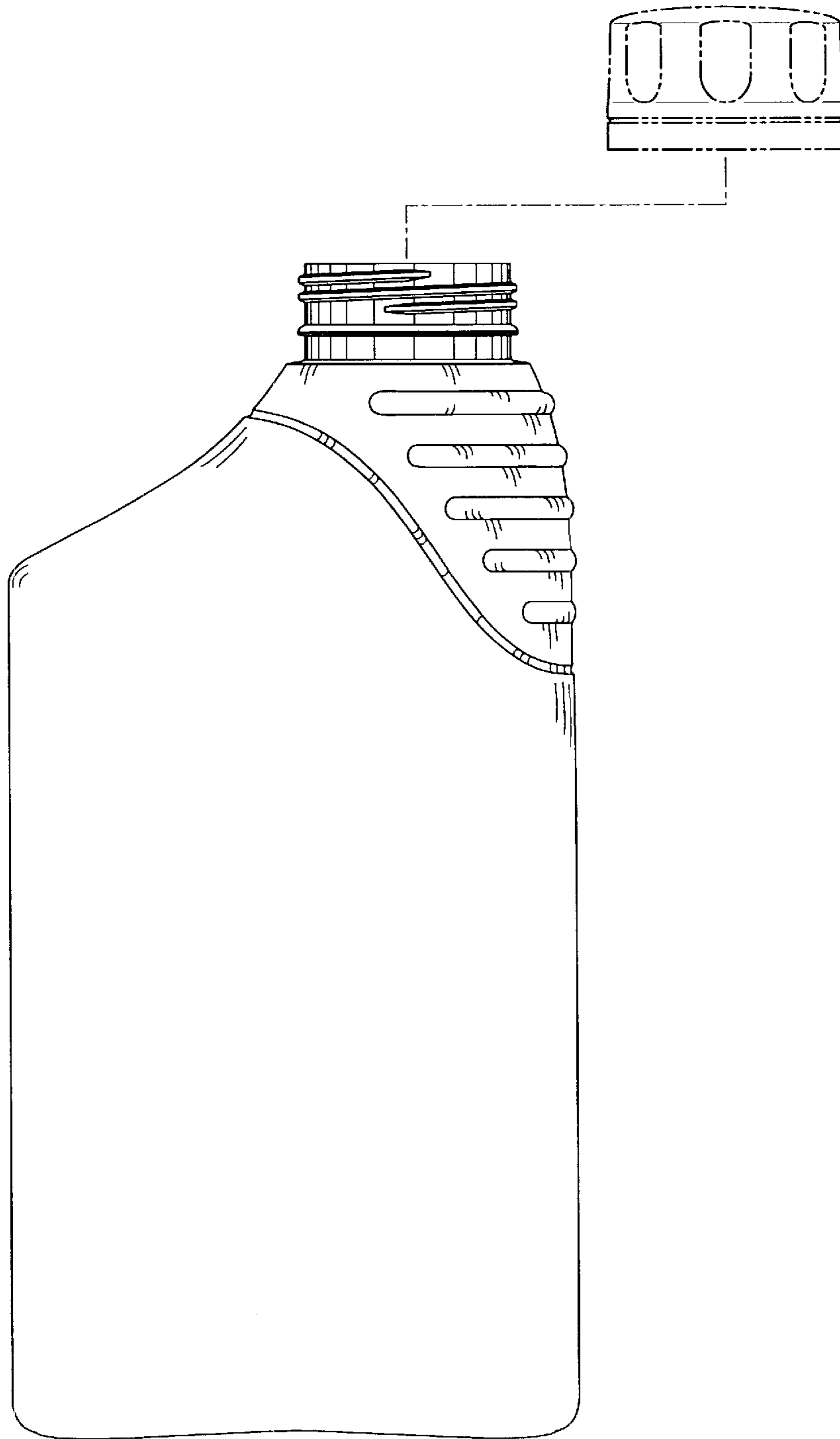
## U.S. PATENT DOCUMENTS

D337,275 S	7/1993	Tutssel	
D337,946 S	* 8/1993	Bridger et al. ....	D9/523
D342,678 S	12/1993	Warner et al.	
D349,056 S	7/1994	Jaramillo	
D352,904 S	11/1994	Kearse et al.	
D354,000 S	1/1995	Hoyt	
D354,230 S	1/1995	Hoyt	
D354,916 S	* 1/1995	Park .....	D9/523
D356,036 S	3/1995	Hoyt	
D356,504 S	3/1995	Saltz	
D361,269 S	8/1995	Fenton et al.	
D372,428 S	8/1996	Malmquist	
D375,049 S	10/1996	Vollborth	
D376,104 S	* 12/1996	Gerhart et al. ....	D9/527
D378,058 S	2/1997	Meisner et al.	
D380,681 S	7/1997	De Souza et al.	
D381,903 S	8/1997	Zimmer et al.	
D382,208 S	8/1997	Goettner et al.	
D382,812 S	8/1997	Kokenge et al.	
D383,391 S	9/1997	Beaver	
D383,678 S	9/1997	Syrek	
D385,794 S	11/1997	Goettner et al.	
D391,488 S	3/1998	Klima, Jr. et al.	
D395,603 S	6/1998	Harris	
D398,240 S	9/1998	Willardson	
D401,504 S	11/1998	Bolliger et al.	
D402,204 S	12/1998	Jennings	
D402,553 S	12/1998	Webster et al.	
D404,650 S	1/1999	Hefter et al.	
D406,063 S	2/1999	Vangramberen	
D406,527 S	* 3/1999	Anderson et al. ....	D9/523
D406,765 S	3/1999	Zimmer et al.	
5,875,940 A	3/1999	Mayfield	
D410,391 S	6/1999	Soller	
5,918,753 A	7/1999	Ogg et al.	
D413,808 S	9/1999	Bolliger et al.	
D415,964 S	11/1999	Manderfield, Jr. et al.	
D416,802 S	11/1999	Zimmer et al.	
5,979,696 A	11/1999	Bode et al.	
D420,290 S	2/2000	Dean et al.	
D420,918 S	2/2000	Hefter et al.	

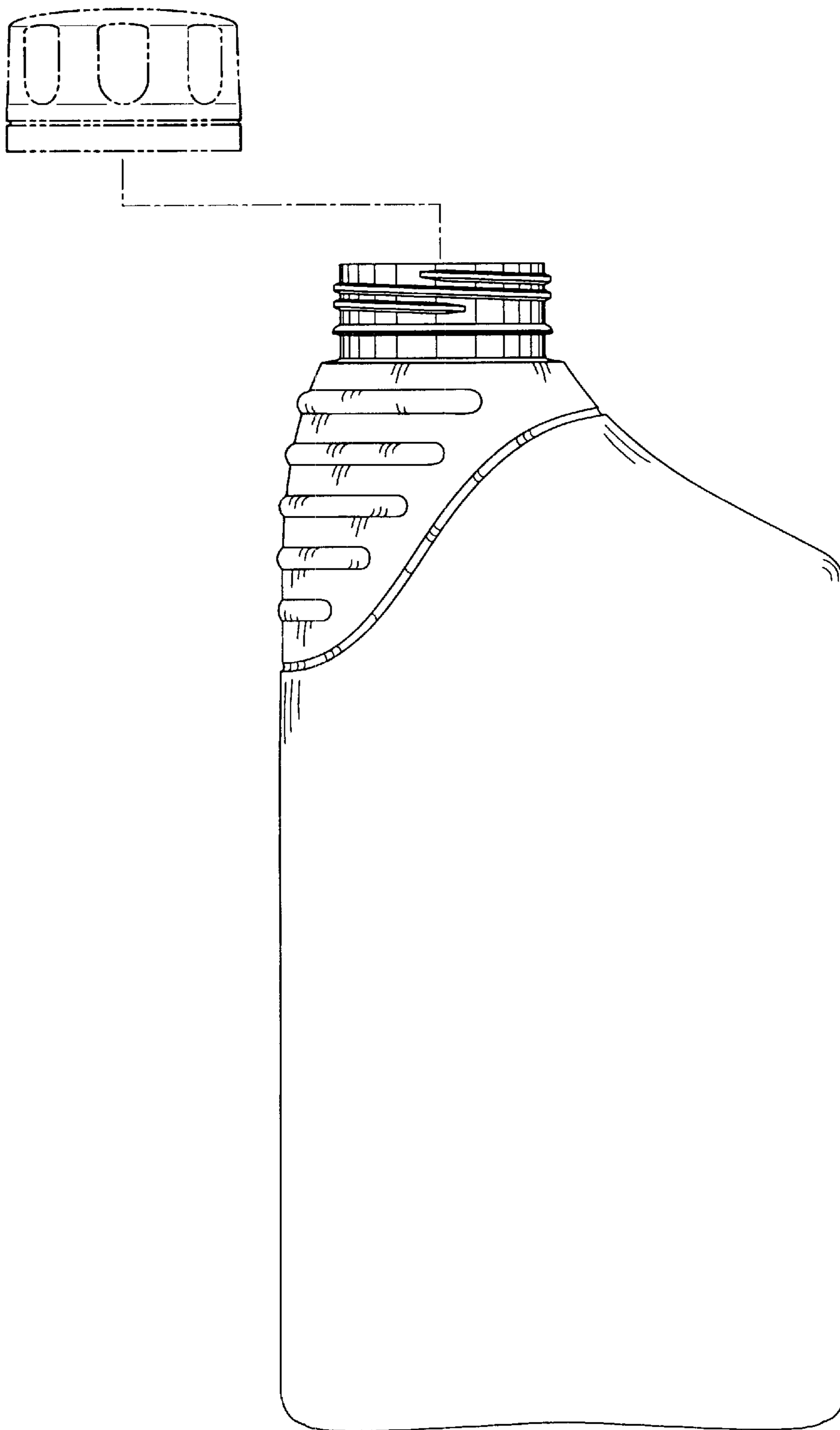
\* cited by examiner



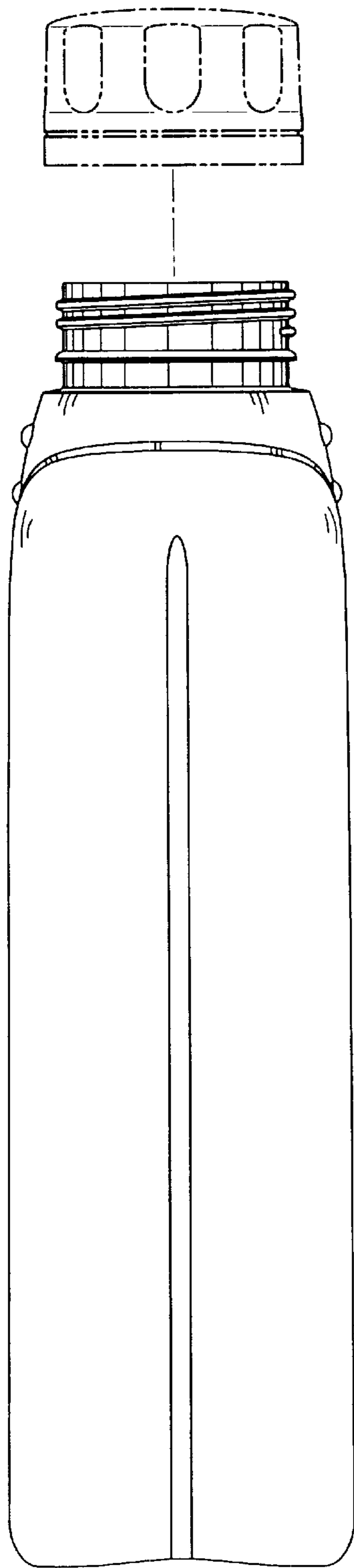
*Fig. 1*



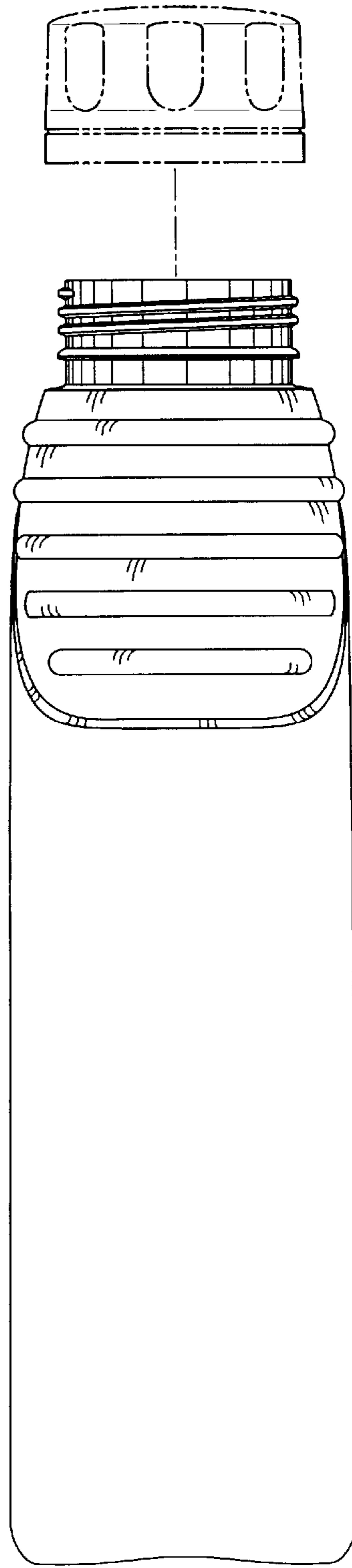
*Fig. 2*



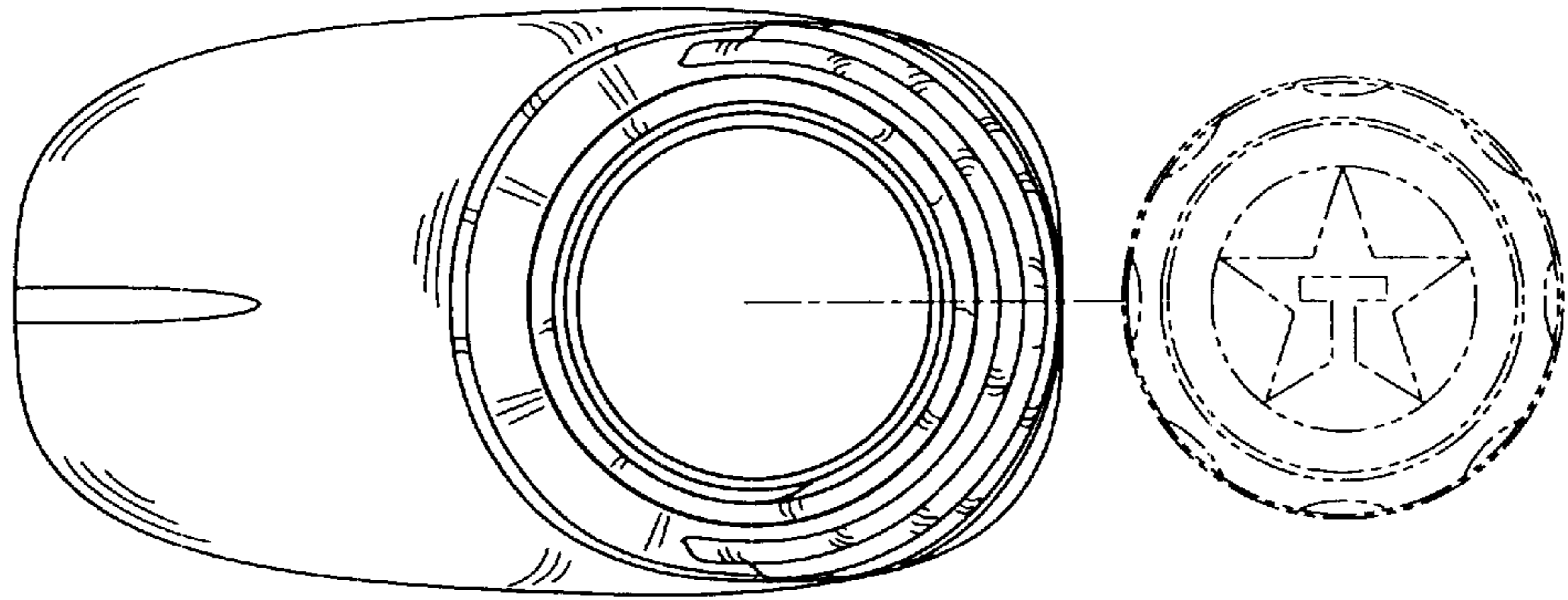
*Fig. 3*



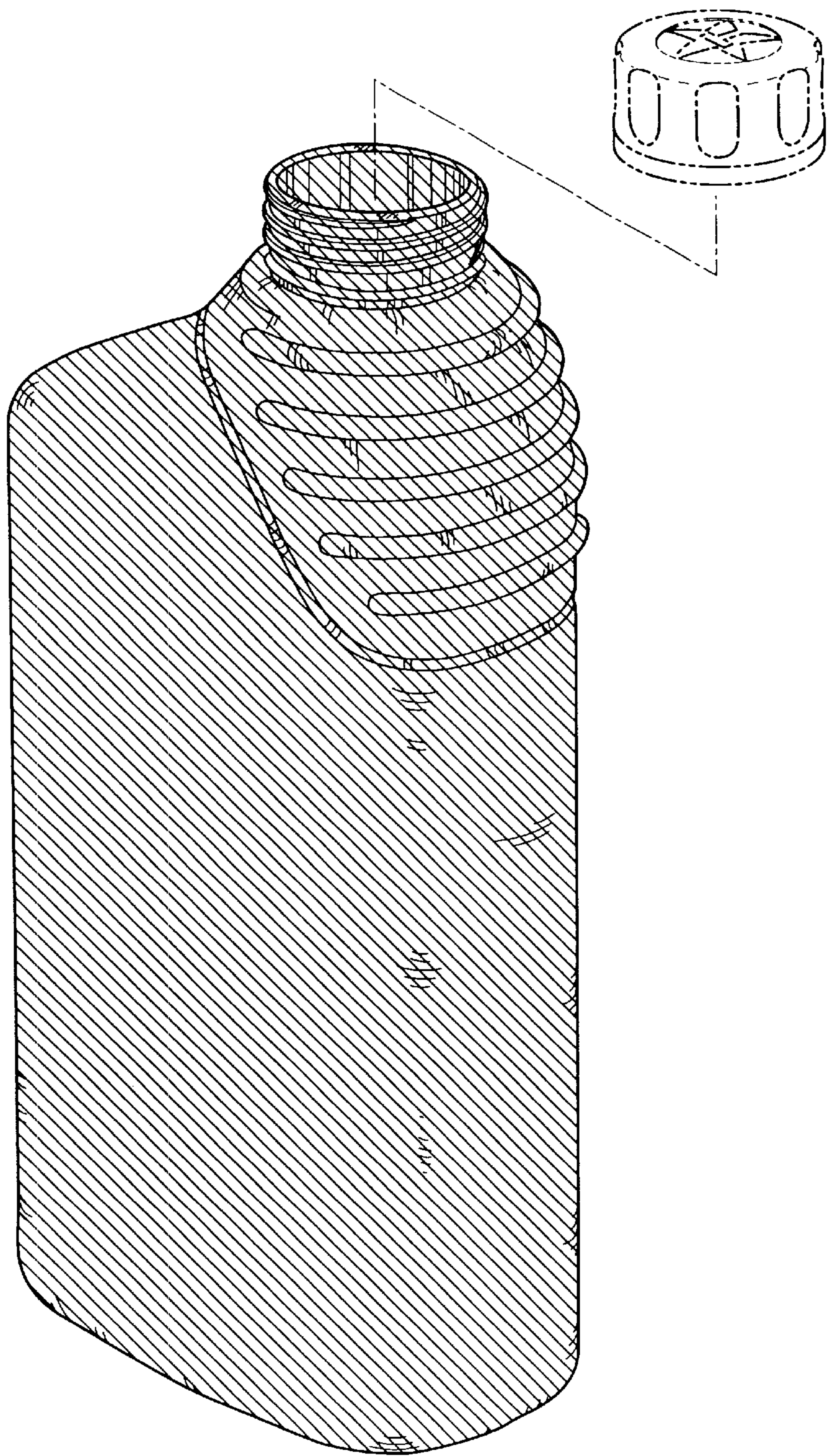
*Fig. 4*



*Fig. 5*

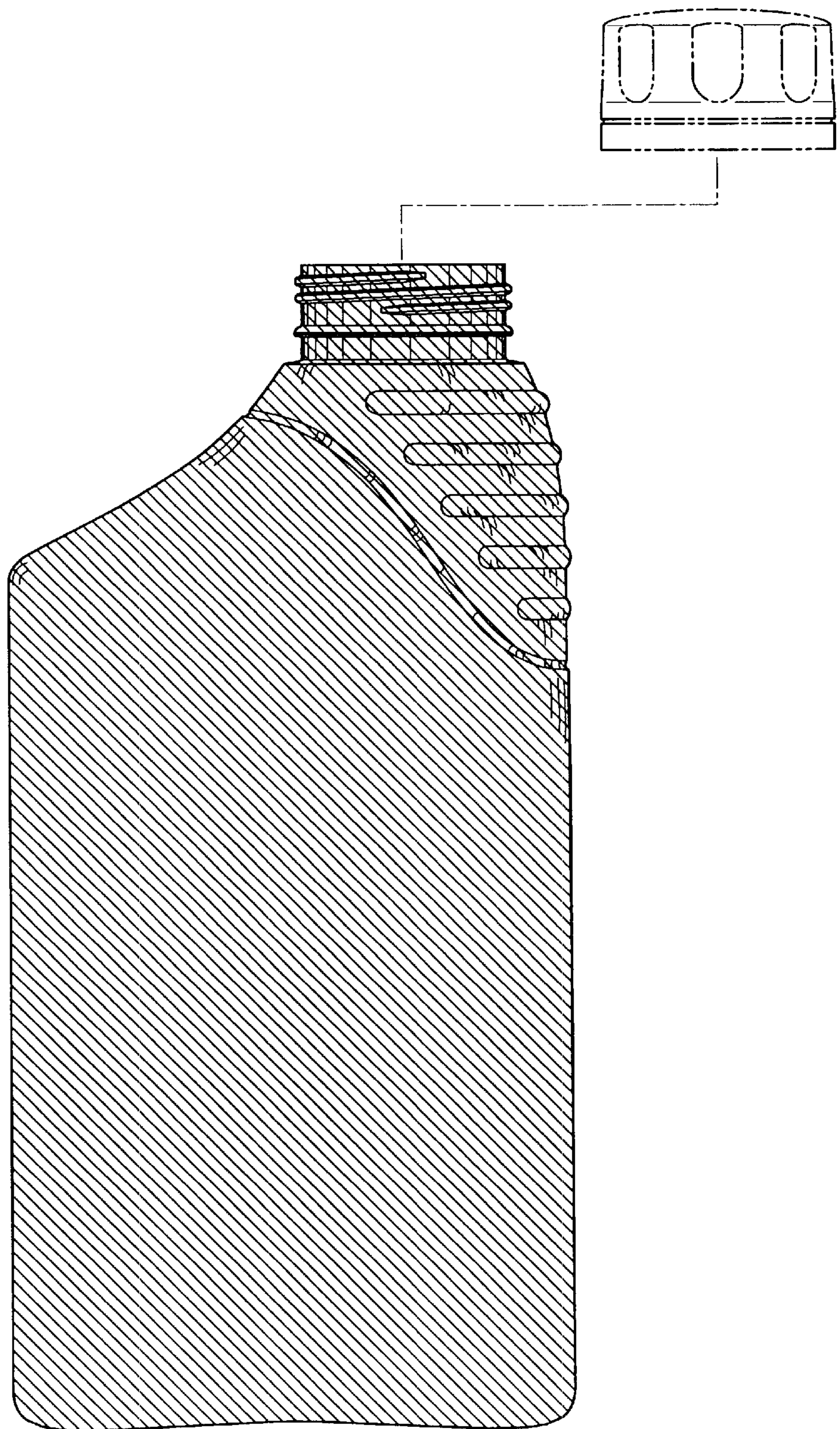


*Fig. 6*

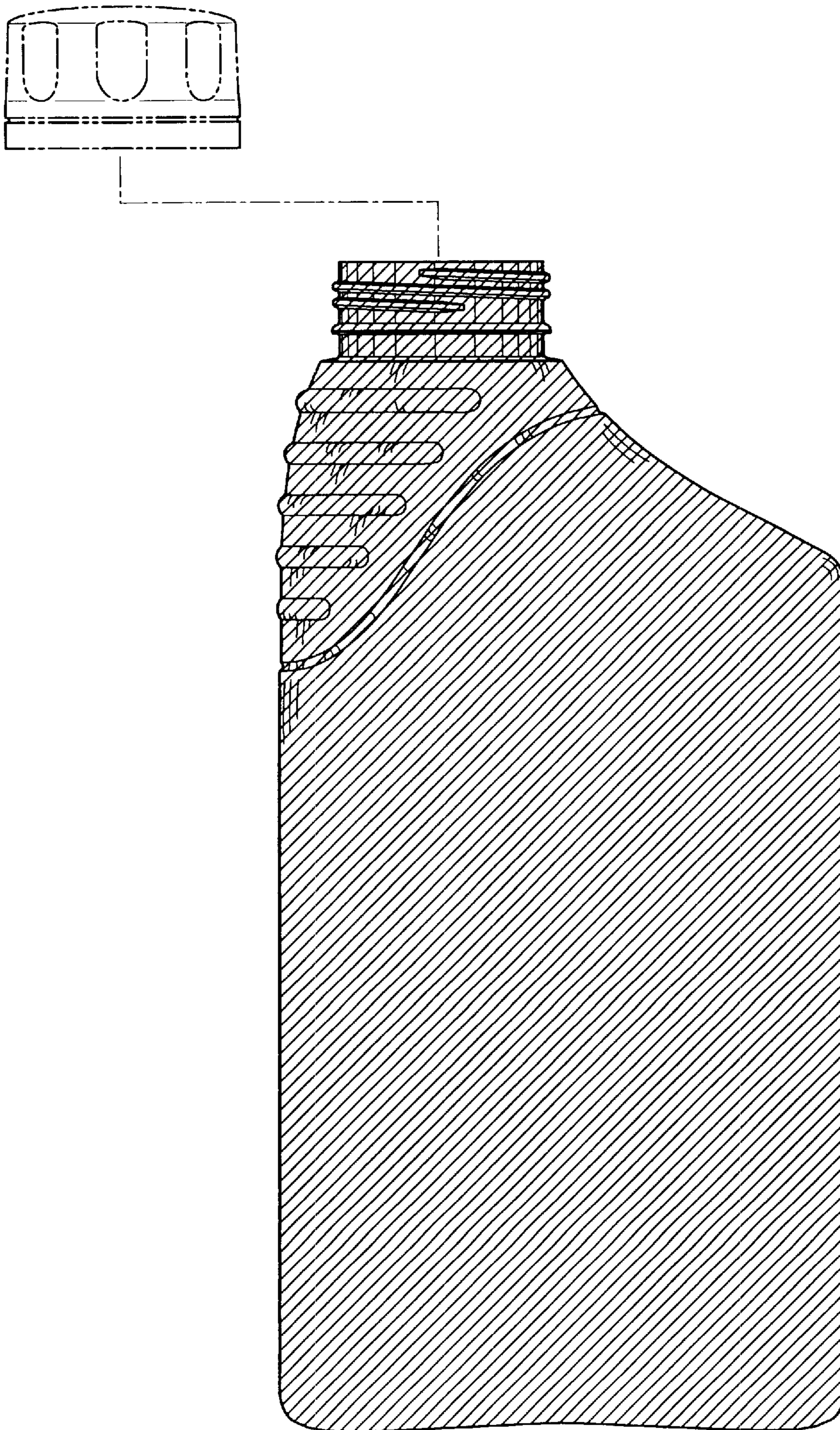


*Fig. 7*

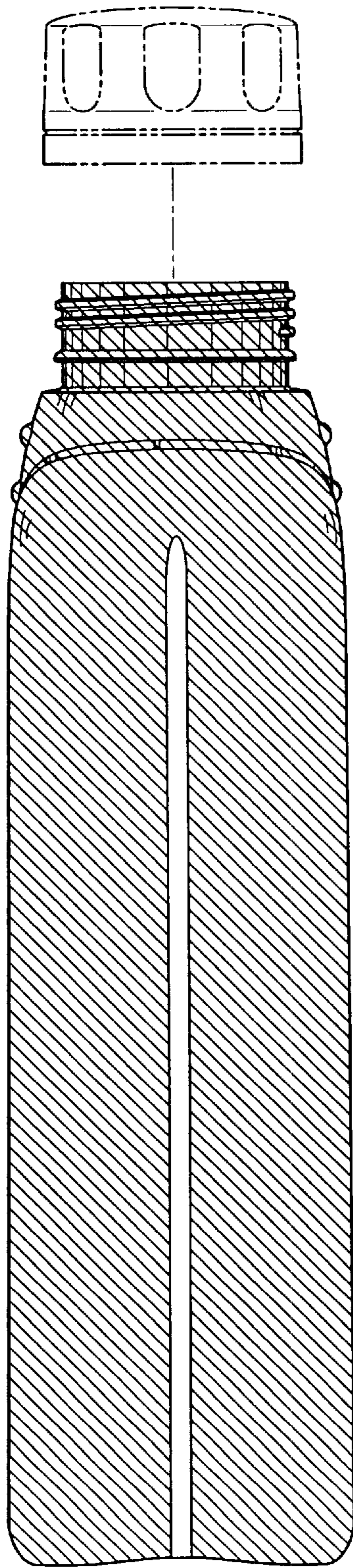




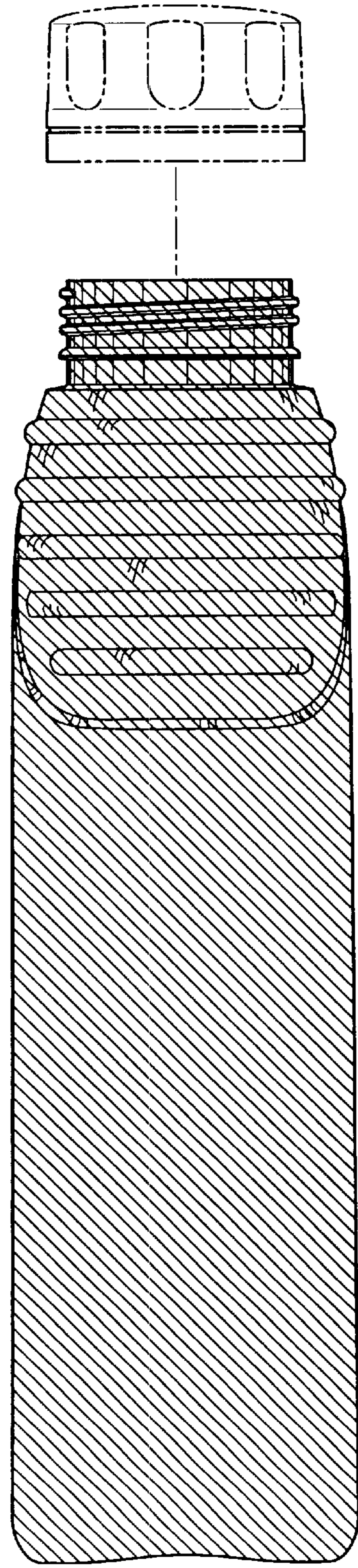
*Fig. 8*



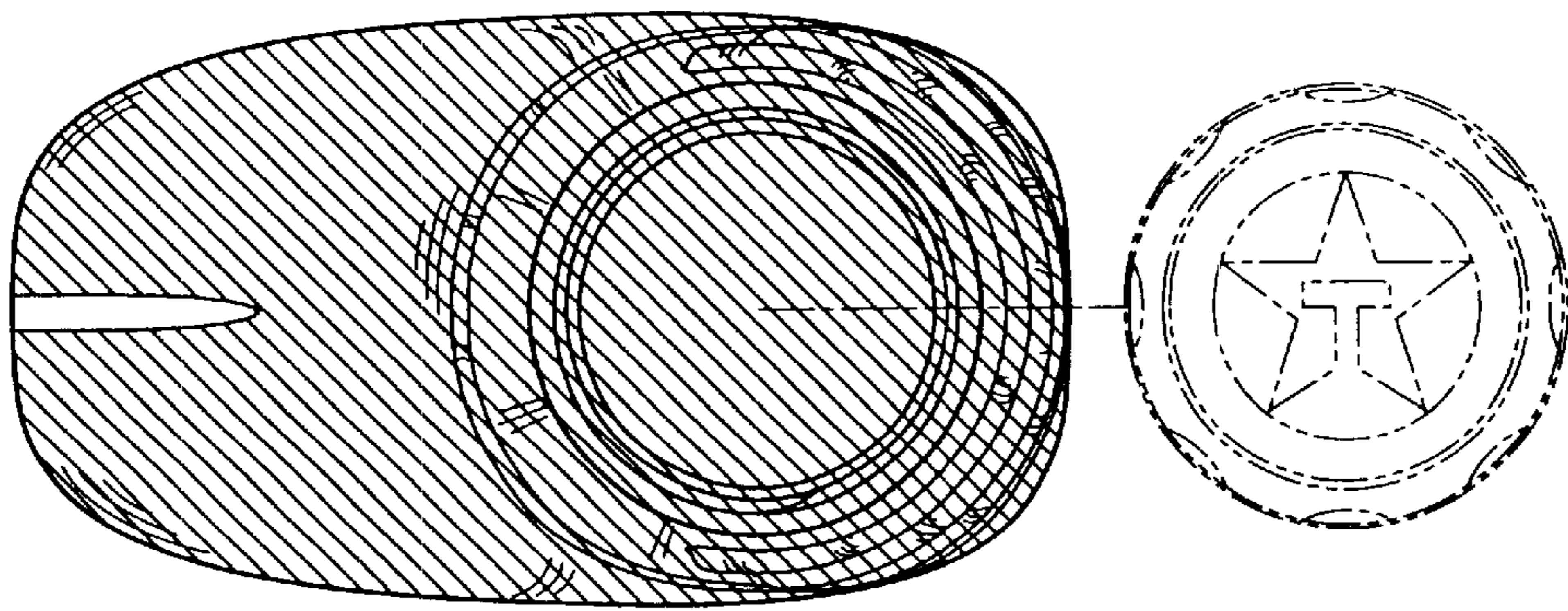
*Fig. 9*



*Fig. 10*



*Fig. 11*



*Fig. 12*