



US00D477782S

(12) **United States Design Patent**
Throgmorton

(10) **Patent No.:** **US D477,782 S**

(45) **Date of Patent:** **** Jul. 29, 2003**

(54) **SMALL TOY CAR PACKAGE INNER SHELL**

(75) **Inventor:** **Jade Aaron Throgmorton**, Escondido, CA (US)

(73) **Assignee:** **X-Concepts, LLC.**, Escondido, CA (US)

(**) **Term:** **14 Years**

(21) **Appl. No.:** **29/171,365**

(22) **Filed:** **Nov. 20, 2002**

(51) **LOC (7) Cl.** **09-07**

(52) **U.S. Cl.** **D9/456; D9/434**

(58) **Field of Search** D9/456, 434, 341, D9/414, 424, 415, 418, 427; 206/355, 457, 471, 459.5

(56) **References Cited**

U.S. PATENT DOCUMENTS

- 3,756,398 A * 9/1973 Green et al. 206/471
- D253,516 S * 11/1979 Meierhoefer D9/415
- D344,021 S * 2/1994 Martin et al. D9/418

- D349,052 S * 7/1994 Goldstein et al. D9/418
- D375,835 S * 11/1996 Christopher et al. D9/415
- D418,406 S * 1/2000 Liao D9/415
- 6,152,298 A * 11/2000 Dods 206/335

* cited by examiner

Primary Examiner—Louis S. Zarfes

Assistant Examiner—Gregory Andoll

(74) *Attorney, Agent, or Firm*—Kenneth R. Wright

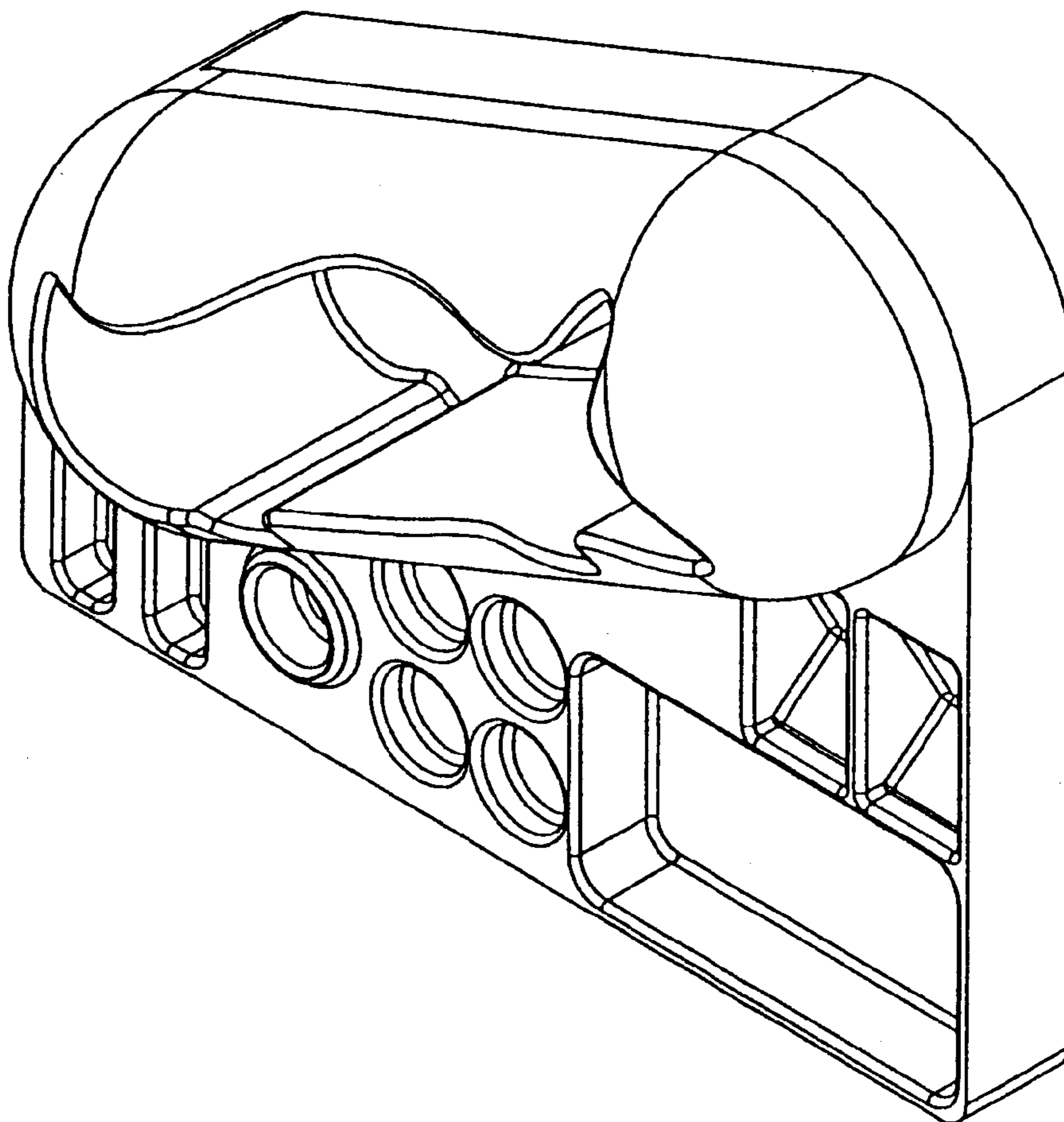
(57) **CLAIM**

The ornamental design for a small toy car package inner shell, as shown.

DESCRIPTION

FIG. 1 is a perspective view of the small toy car package inner shell showing the new design;
 FIG. 2 is a top view thereof;
 FIG. 3 is a bottom view thereof;
 FIG. 4 is a side view thereof;
 FIG. 5 is a side view thereof;
 FIG. 6 is a side view thereof; and,
 FIG. 7 is a side view thereof.

1 Claim, 3 Drawing Sheets



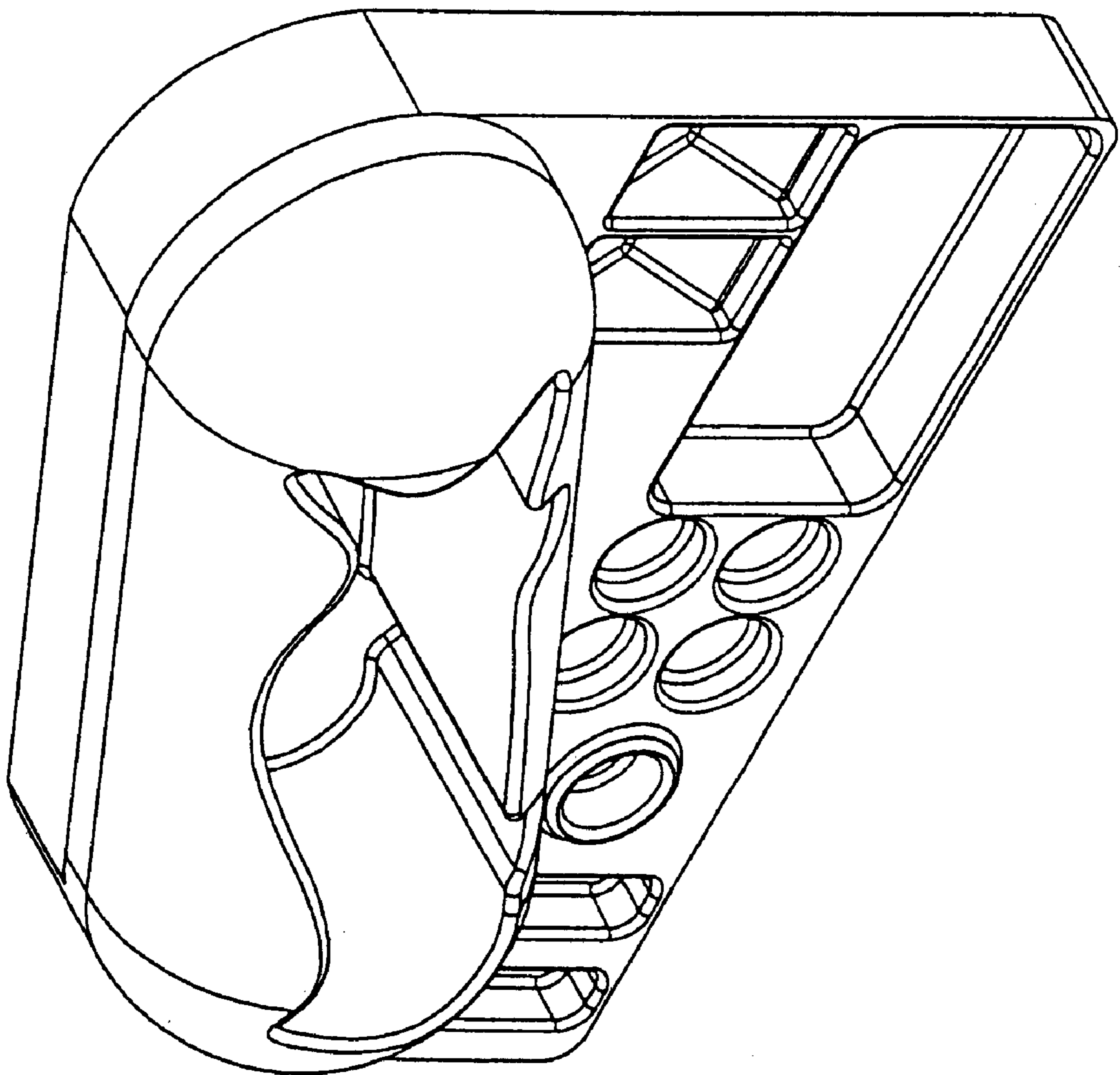


Figure 1

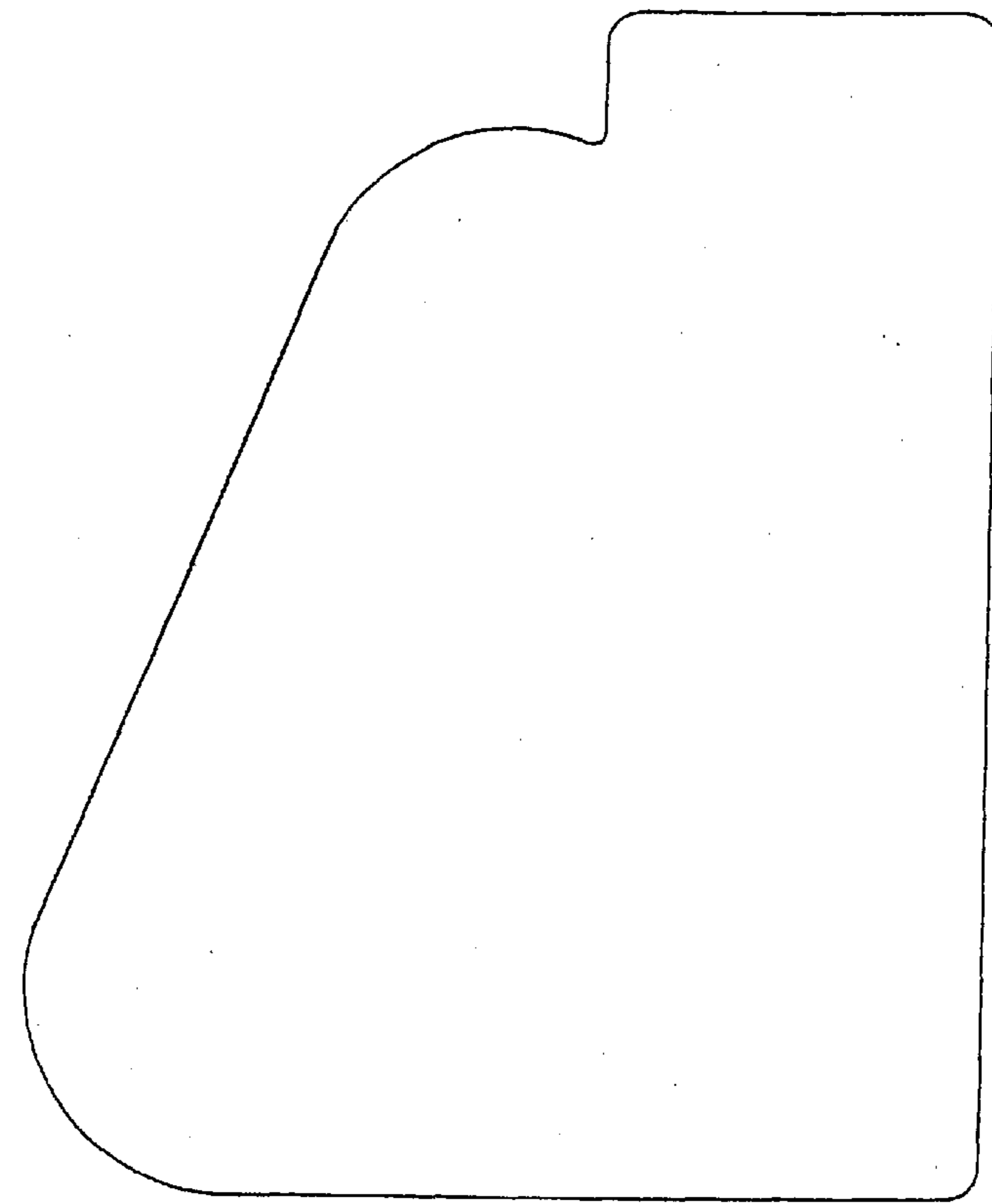


Figure 3

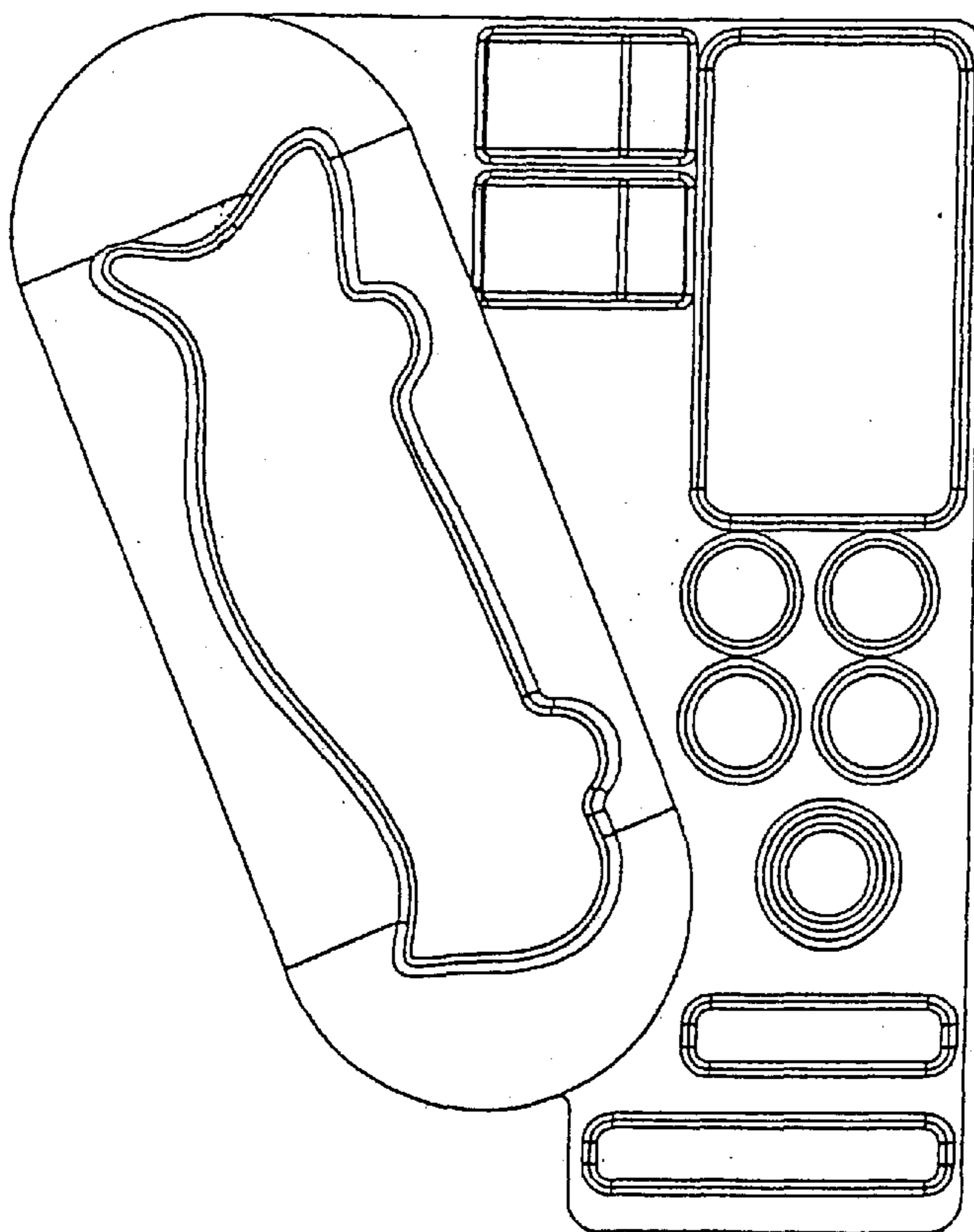


Figure 2

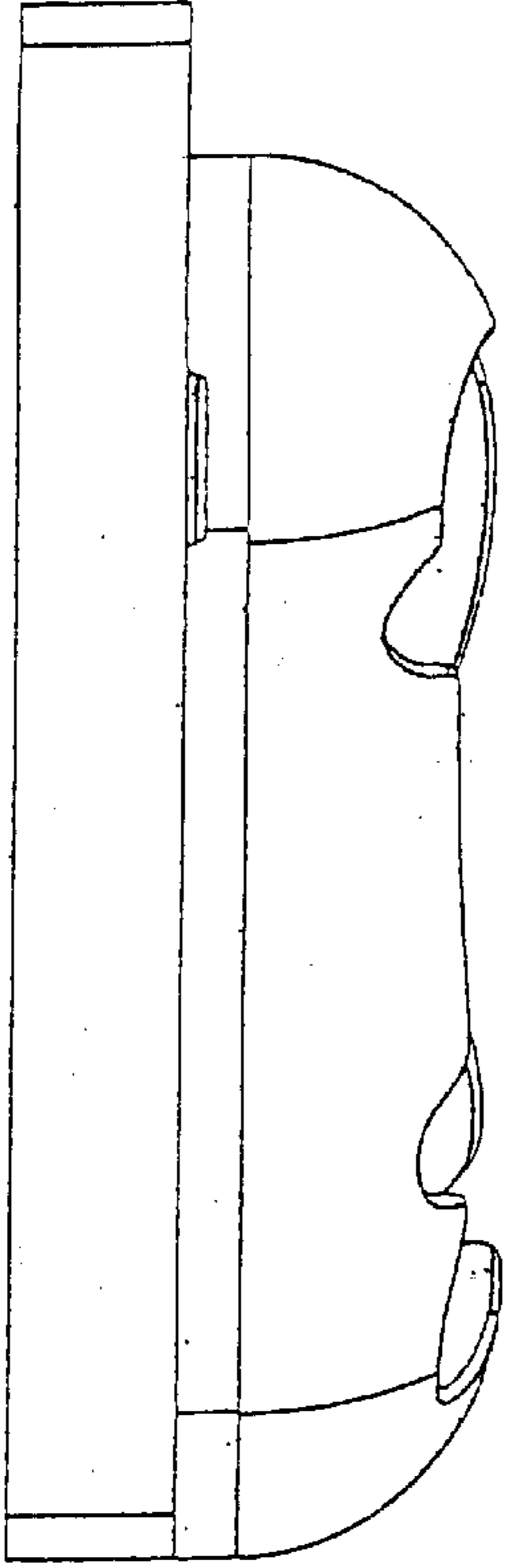


Figure 5

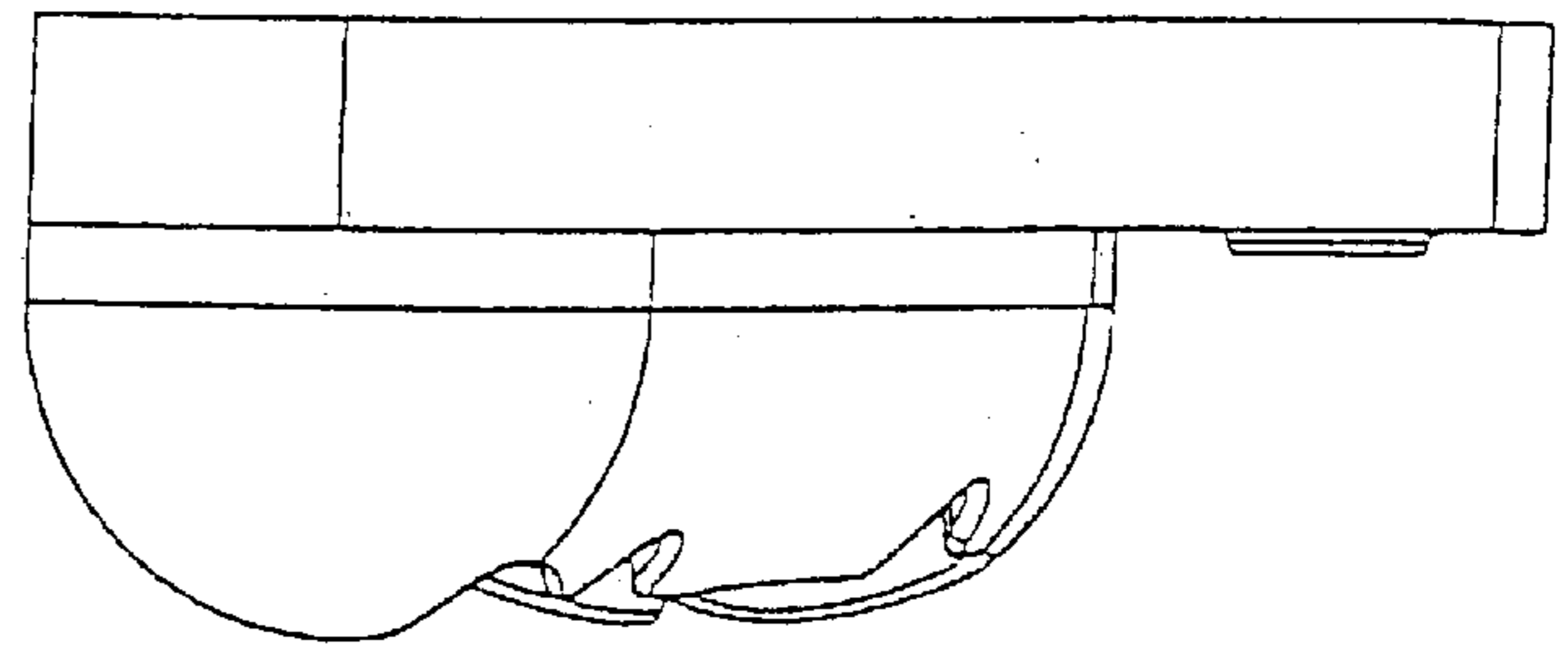


Figure 7

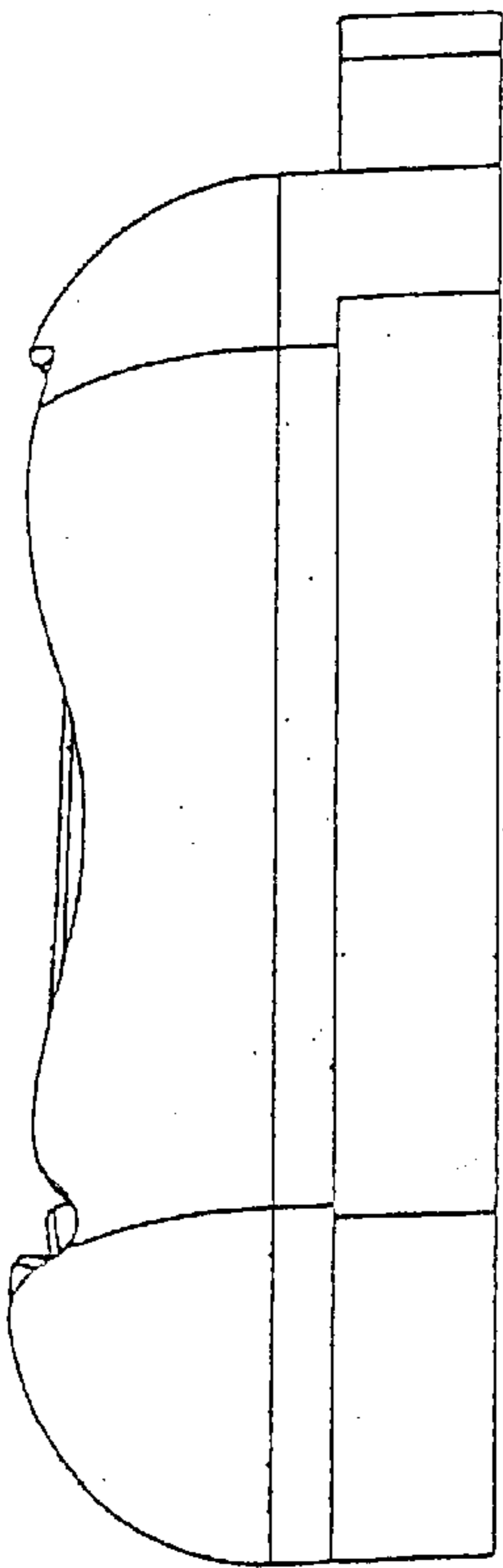


Figure 4

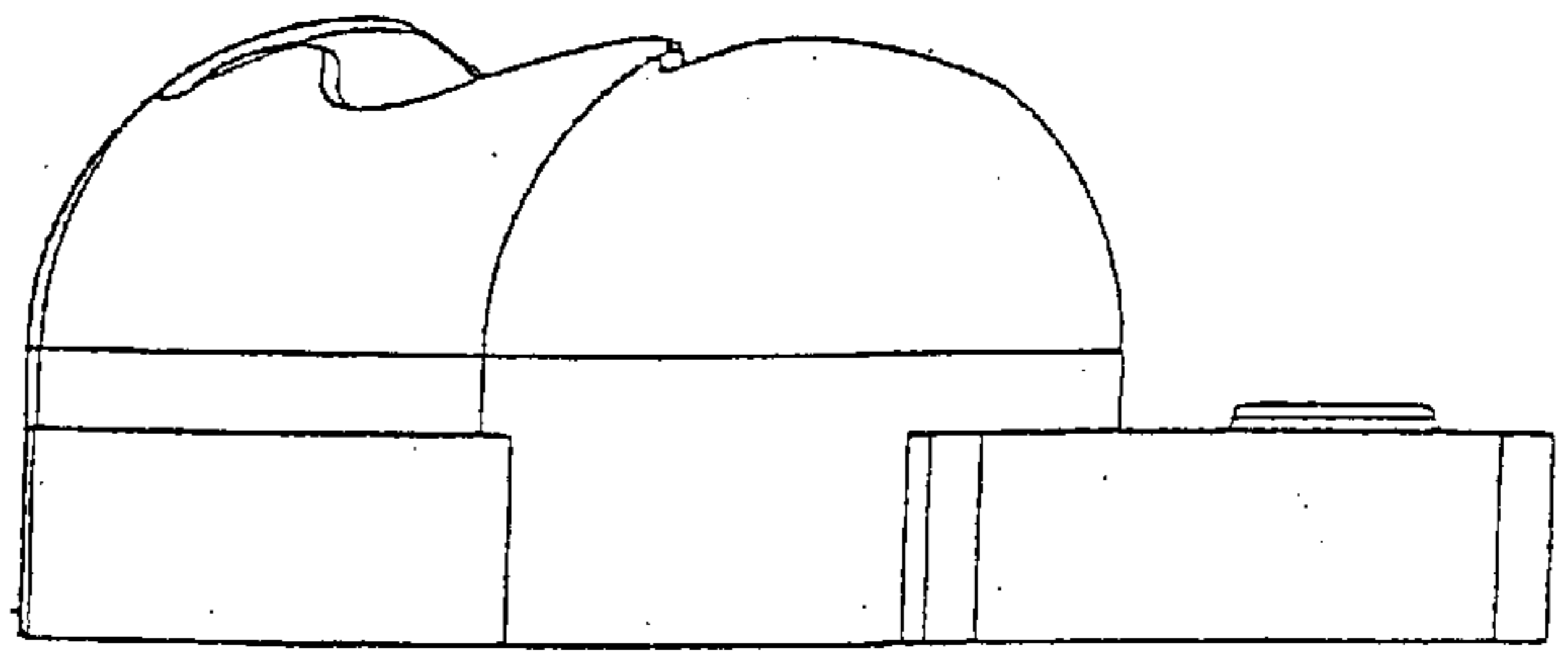


Figure 6