



US00D47778S

(12) **United States Design Patent**
Dretzka

(10) **Patent No.:** **US D477,778 S**

(45) **Date of Patent:** **** Jul. 29, 2003**

(54) **PUMP**

D416,154 S * 11/1999 Diehl D6/542
D419,864 S * 2/2000 Kuzma et al. D9/300

(75) Inventor: **Philip C. Dretzka**, Cleveland Heights,
OH (US)

OTHER PUBLICATIONS

(73) Assignee: **InterDesign, Inc.**, Solon, OH (US)

InterDesign, Inc. brochure: "bath," pp. 3, 4, and 6, 1998.
InterDesign, Inc. brochure: "housewares," pp. 5 and 7, 1998.

(**) Term: **14 Years**

* cited by examiner

(21) Appl. No.: **29/169,668**

Primary Examiner—Paula A. Mortimer

(22) Filed: **Oct. 24, 2002**

(74) *Attorney, Agent, or Firm*—D. Peter Hochberg;
Katherine R. Vieyra; Sean Mellino

(51) **LOC (7) Cl.** **09-01**

(52) **U.S. Cl.** **D9/300**

(58) **Field of Search** D9/300, 556, 558,
D9/571–575, 447–449, 542, 549, 544, 545;
215/382, 383, 384; 222/321.1–321.9, 212–213,
215, 257, 384; D6/542, 543, 544, 545;
221/282, 283, 284; D28/91.1

(57) **CLAIM**

The ornamental design for a pump, as shown and described.

(56) **References Cited**

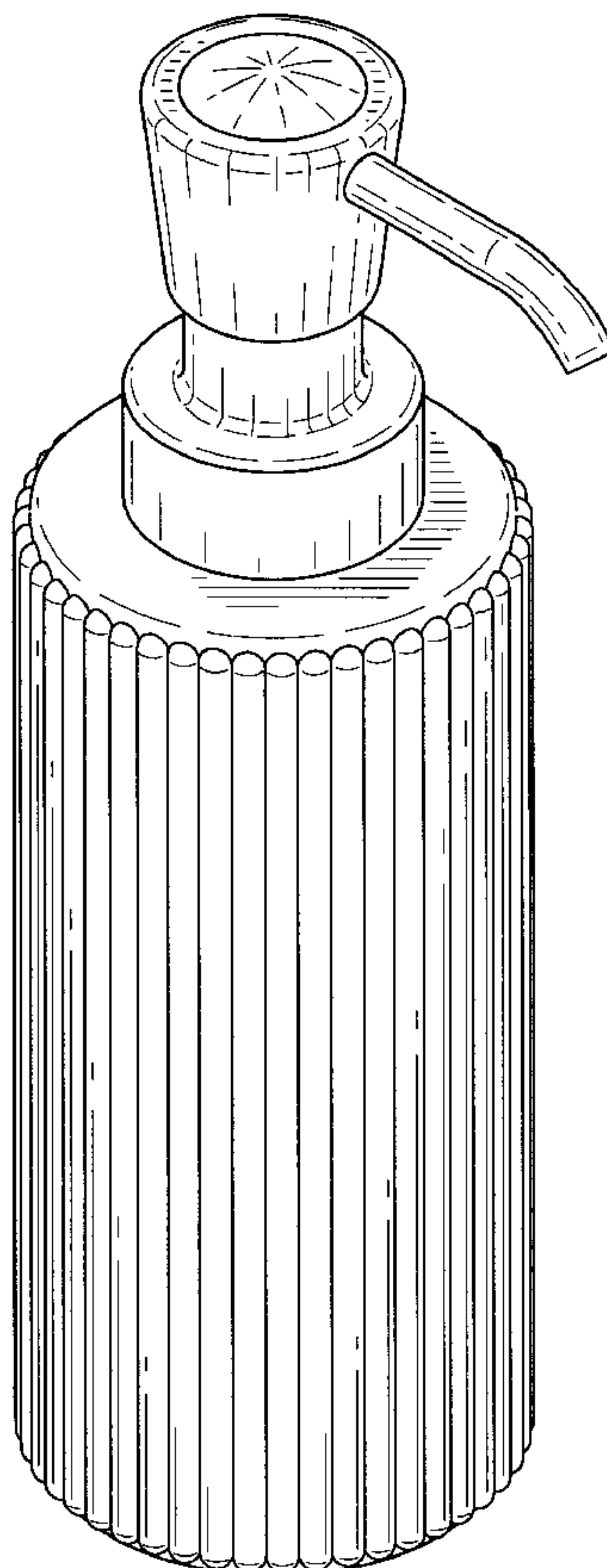
DESCRIPTION

U.S. PATENT DOCUMENTS

D286,374 S * 10/1986 Bussell D9/300
4,809,878 A * 3/1989 Rainey 222/321.9
D348,333 S * 6/1994 Perrin et al. D28/91.1
D351,991 S * 11/1994 Bertolini et al. D9/300
D375,454 S * 11/1996 Lathrop et al. D9/300
D386,963 S * 12/1997 Hsu D9/300

FIG. 1 is a perspective view of the pump according to the invention;
FIG. 2 is a top view of the pump as shown in FIG. 1;
FIG. 3 is a front view of the pump as shown in FIG. 1;
FIG. 4 is a side view of the pump as shown in FIG. 1;
FIG. 5 is a rear view of the pump as shown in FIG. 1;
FIG. 6 is a side view of the pump as shown in FIG. 1, shown from the opposite side of that shown in FIG. 4; and,
FIG. 7 is a bottom view of the pump as shown in FIG. 1.

1 Claim, 3 Drawing Sheets



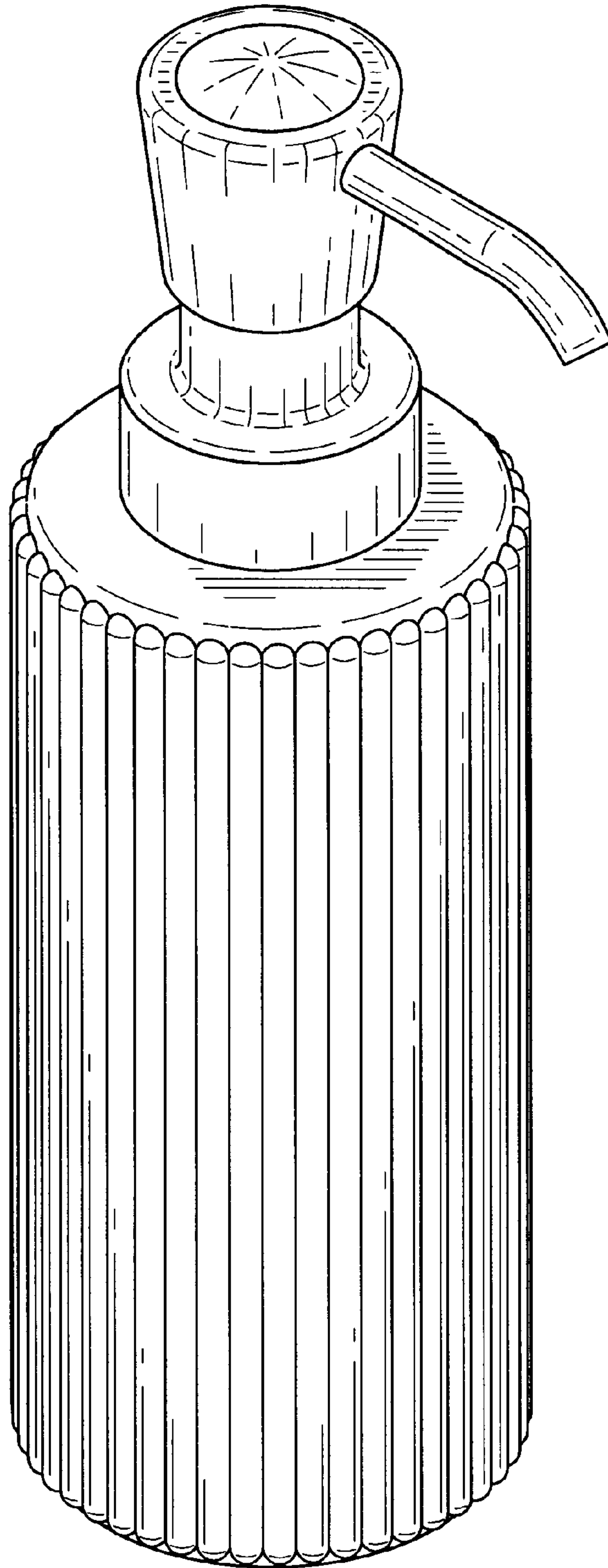


FIG-1

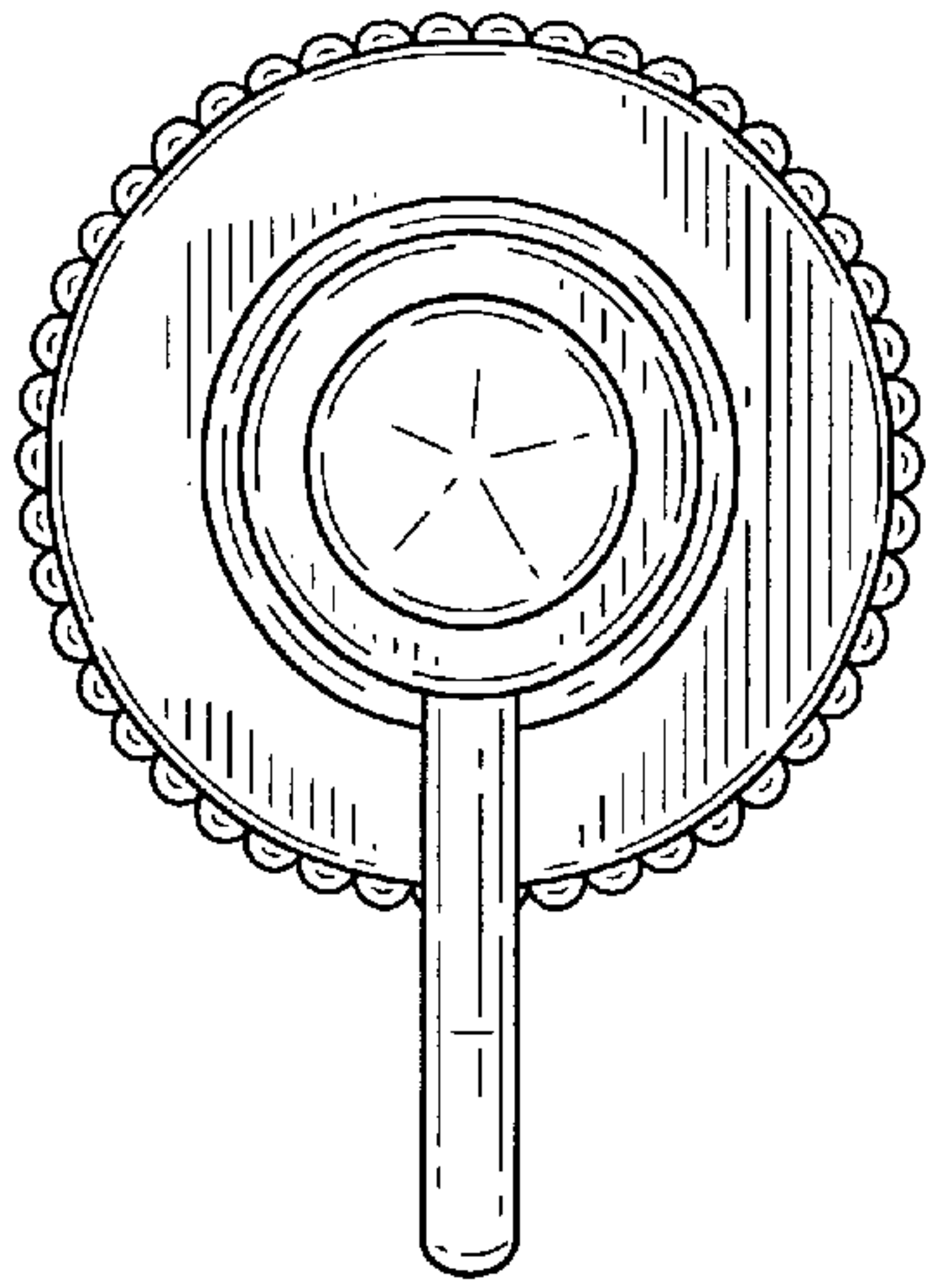


FIG-2

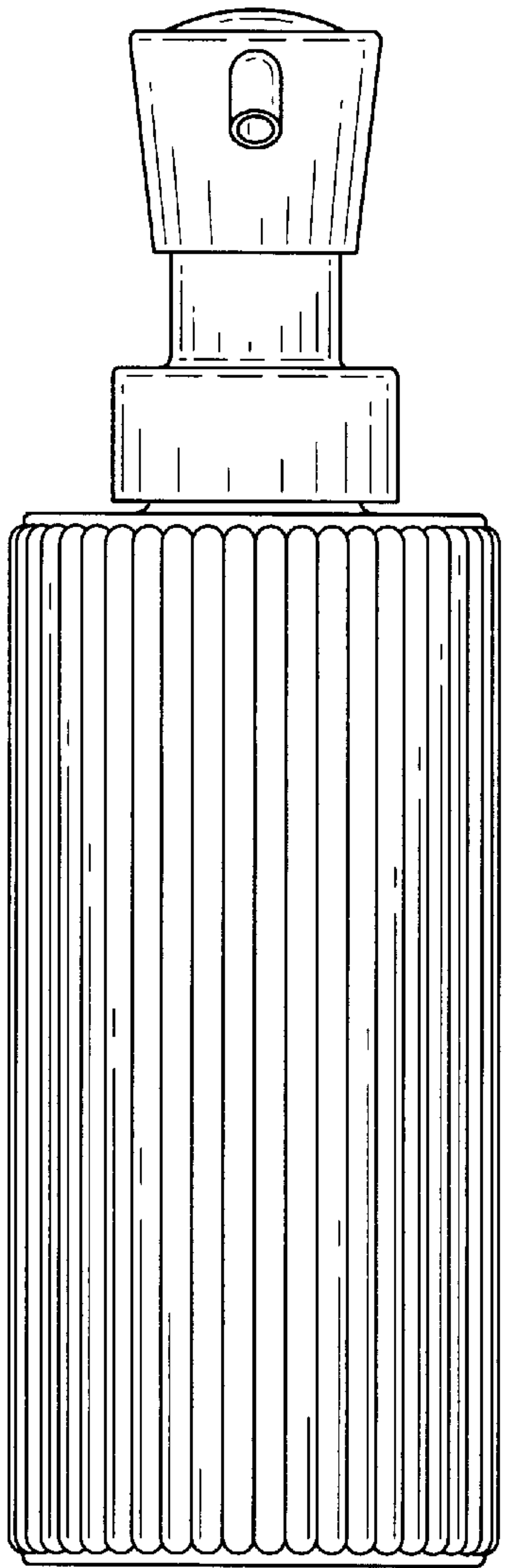


FIG-3

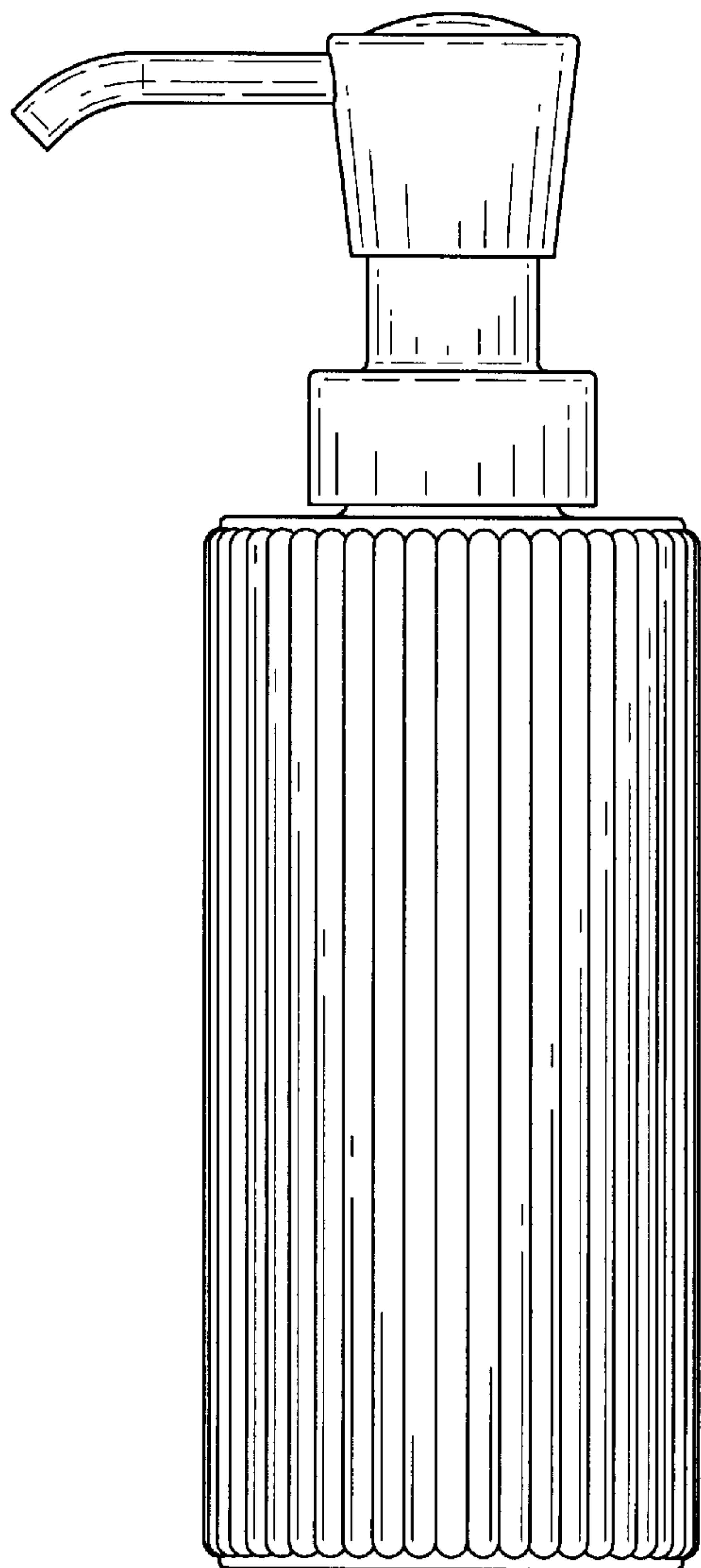


FIG-4

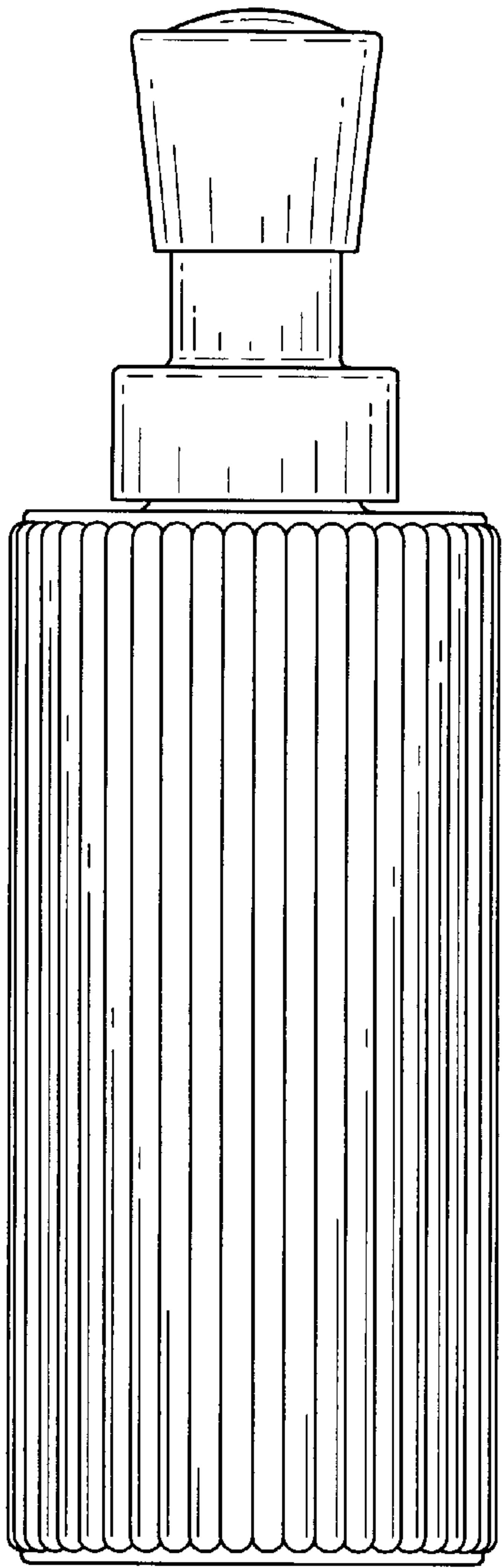


FIG-5

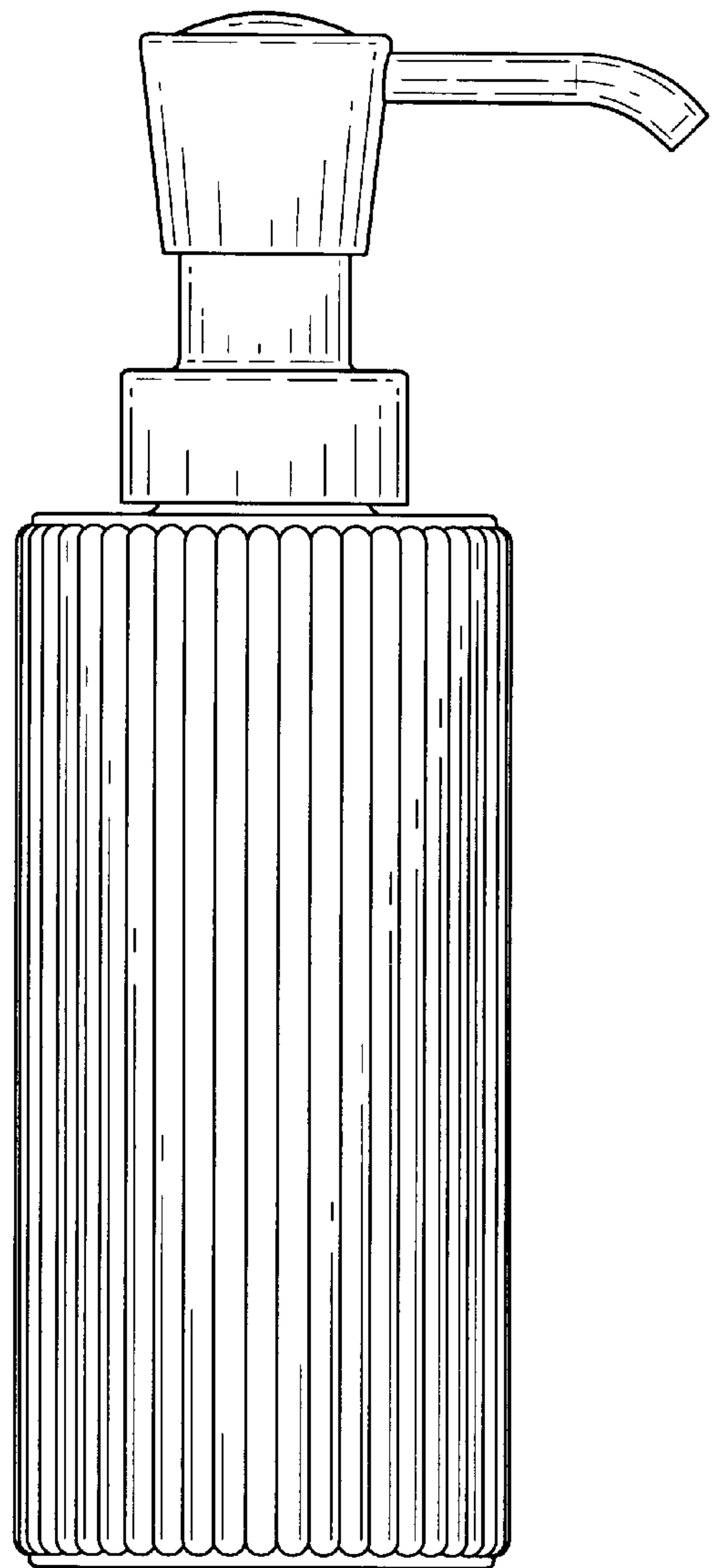


FIG-6

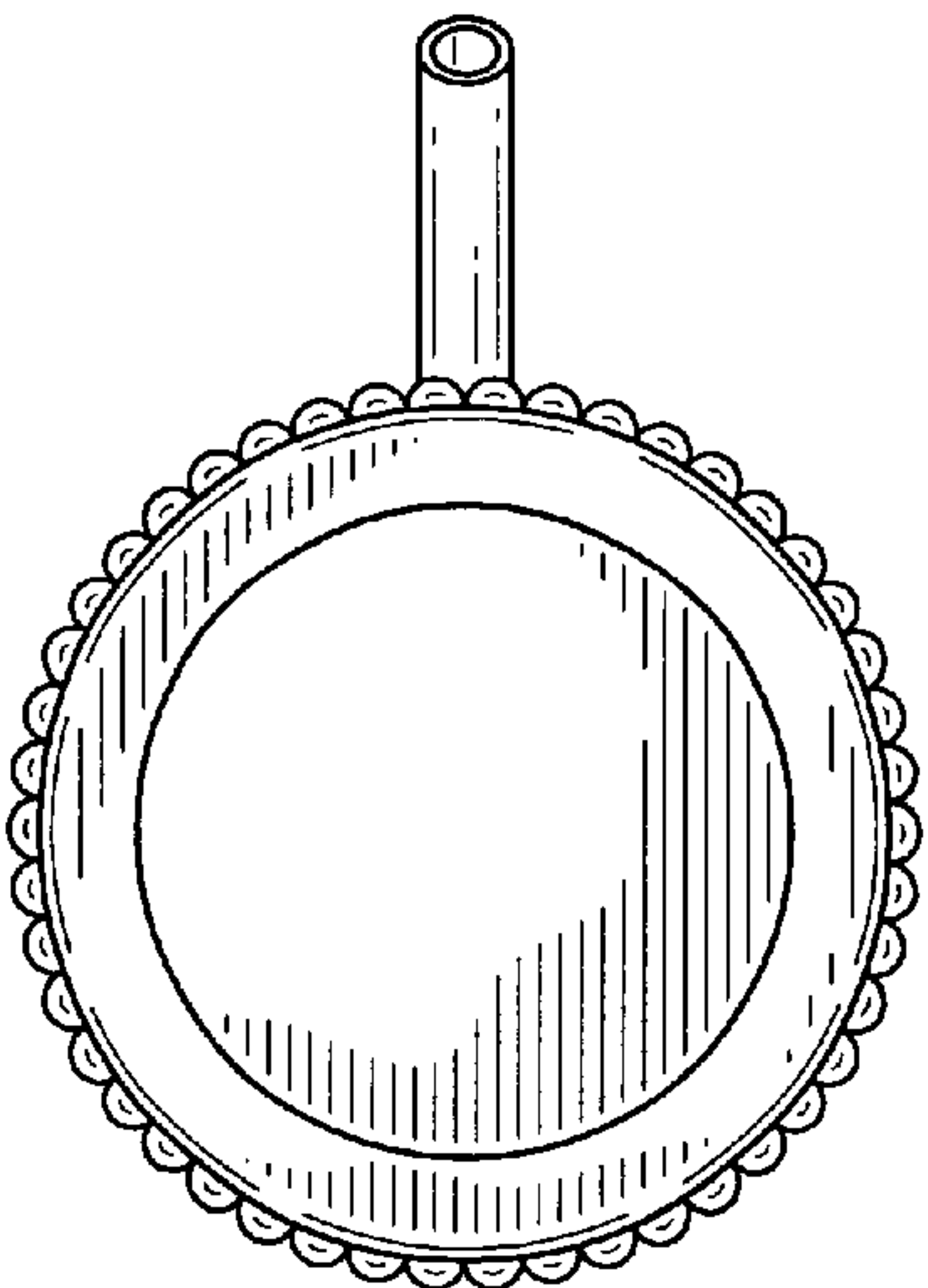


FIG-7