



US00D47776S

(12) **United States Design Patent**  
**Pontaoe**

(10) **Patent No.:** **US D477,776 S**

(45) **Date of Patent:** **\*\* Jul. 29, 2003**

(54) **CORD CLAMP**

(75) Inventor: **John S. Pontaoe**, Chicago, IL (US)

(73) Assignee: **Illinois Tool Works Inc.**, Glenview, IL (US)

(\*\*) Term: **14 Years**

(21) Appl. No.: **29/160,941**

(22) Filed: **May 20, 2002**

**Related U.S. Application Data**

(63) Continuation of application No. 09/686,607, filed on Oct. 11, 2000.

(51) **LOC (7) Cl.** ..... **08-08**

(52) **U.S. Cl.** ..... **D8/396**

(58) **Field of Search** ..... D8/394-396, 72, D8/354, 356, 382, 383; 24/129 R, 115 R, 115 H, 115 K, 127, 3.1, 3.4, 3.6, 3.11-3.13, 136 R, 130, 298; D11/200, 215; D2/607, 609

(56) **References Cited**

**U.S. PATENT DOCUMENTS**

520,318 A	5/1894	Knap	
1,128,305 A	2/1915	Gammache	
1,455,879 A	5/1923	Gronlund	
1,529,257 A	3/1925	Lampl	
2,159,223 A	5/1939	Okun	
2,272,136 A	2/1942	Orech et al.	
2,297,661 A	9/1942	Okun	
2,631,449 A	3/1953	Protsman	
2,877,527 A	3/1959	Bond	
3,187,396 A *	6/1965	Carrol	24/115 R
3,296,669 A	1/1967	Elder, Jr.	
3,965,544 A *	6/1976	Boden	24/136 R

4,049,357 A	9/1977	Hamisch, Jr.	
4,117,998 A	10/1978	Notoya	
4,143,446 A	3/1979	Down	
4,379,358 A	4/1983	Wibrow	
4,548,201 A	10/1985	Yoon	
5,208,950 A	5/1993	Merritt	
5,245,730 A	9/1993	Martin	
5,283,930 A	2/1994	Krauss	
5,504,977 A *	4/1996	Weppner et al.	24/115 R
5,669,119 A	9/1997	Seron	
5,671,508 A	9/1997	Murai	
6,044,527 A	4/2000	Ishida et al.	
6,094,783 A	8/2000	Parsons	
D433,649 S *	11/2000	Buettell	D11/200
6,158,095 A	12/2000	Lassiter	

\* cited by examiner

*Primary Examiner*—Louis S. Zarfaz

*Assistant Examiner*—Deanne Levy

(74) *Attorney, Agent, or Firm*—Mark W. Croll; Paul F. Donovan

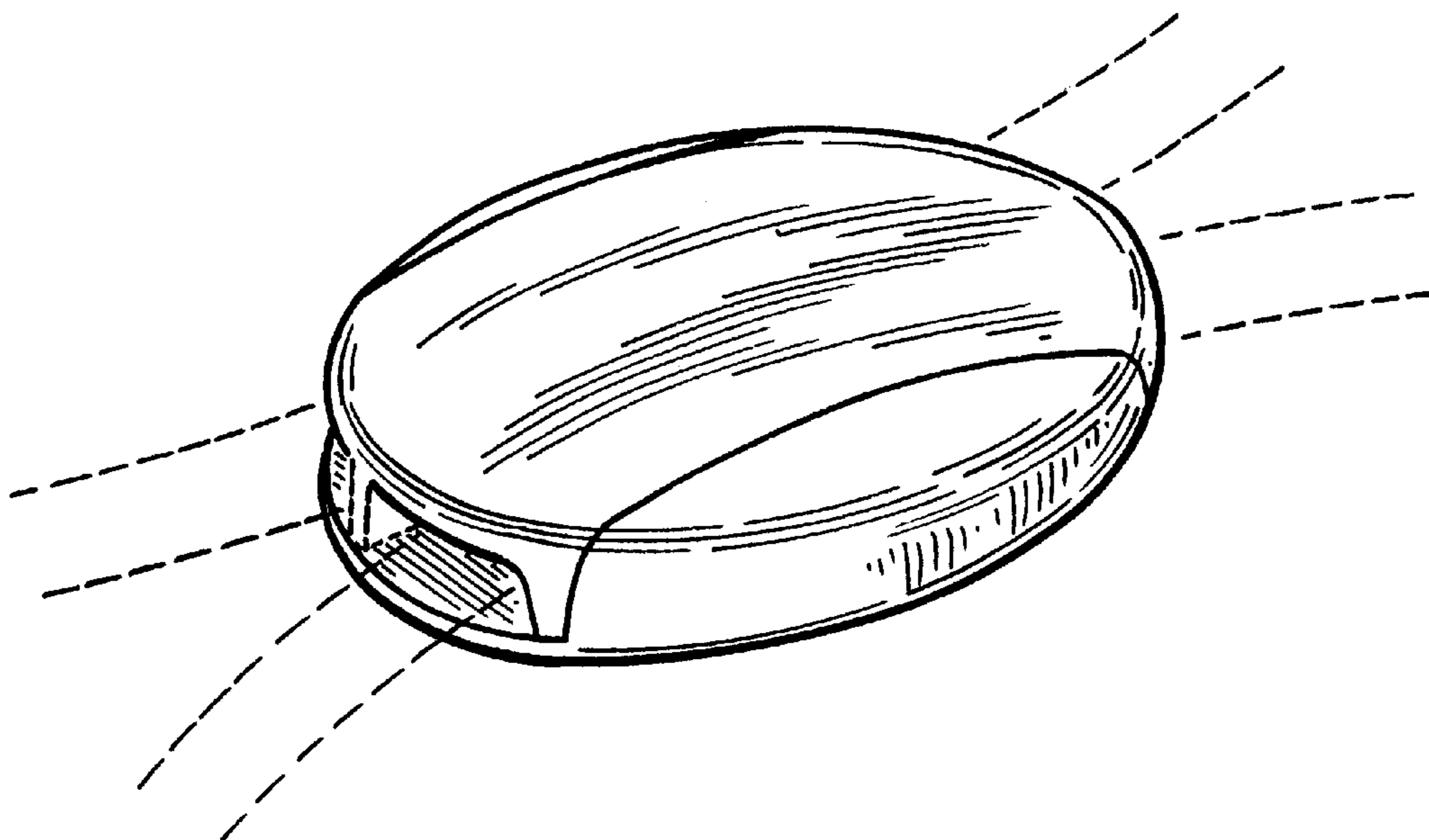
(57) **CLAIM**

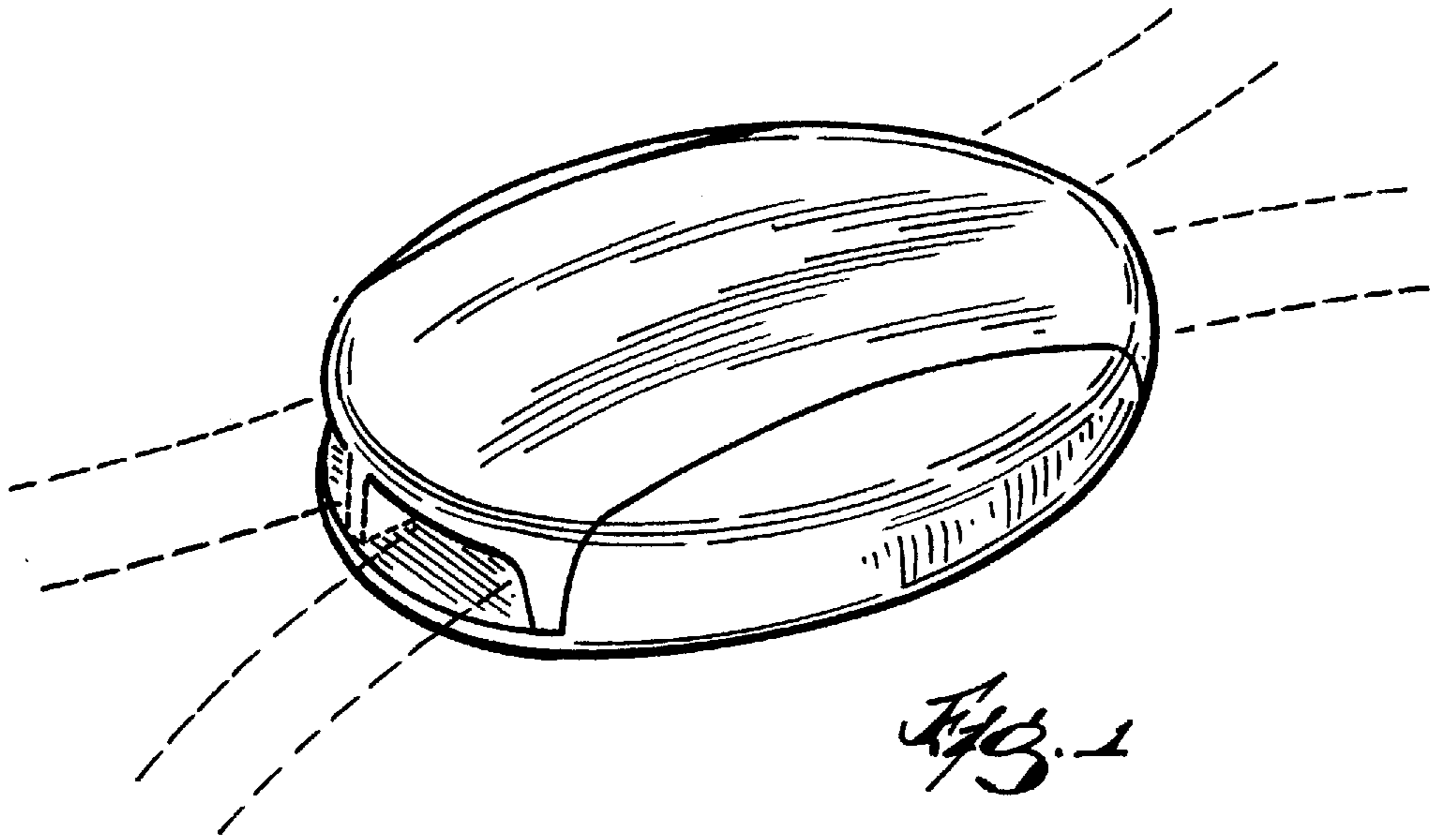
The ornamental design for a cord clamp, as shown and described.

**DESCRIPTION**

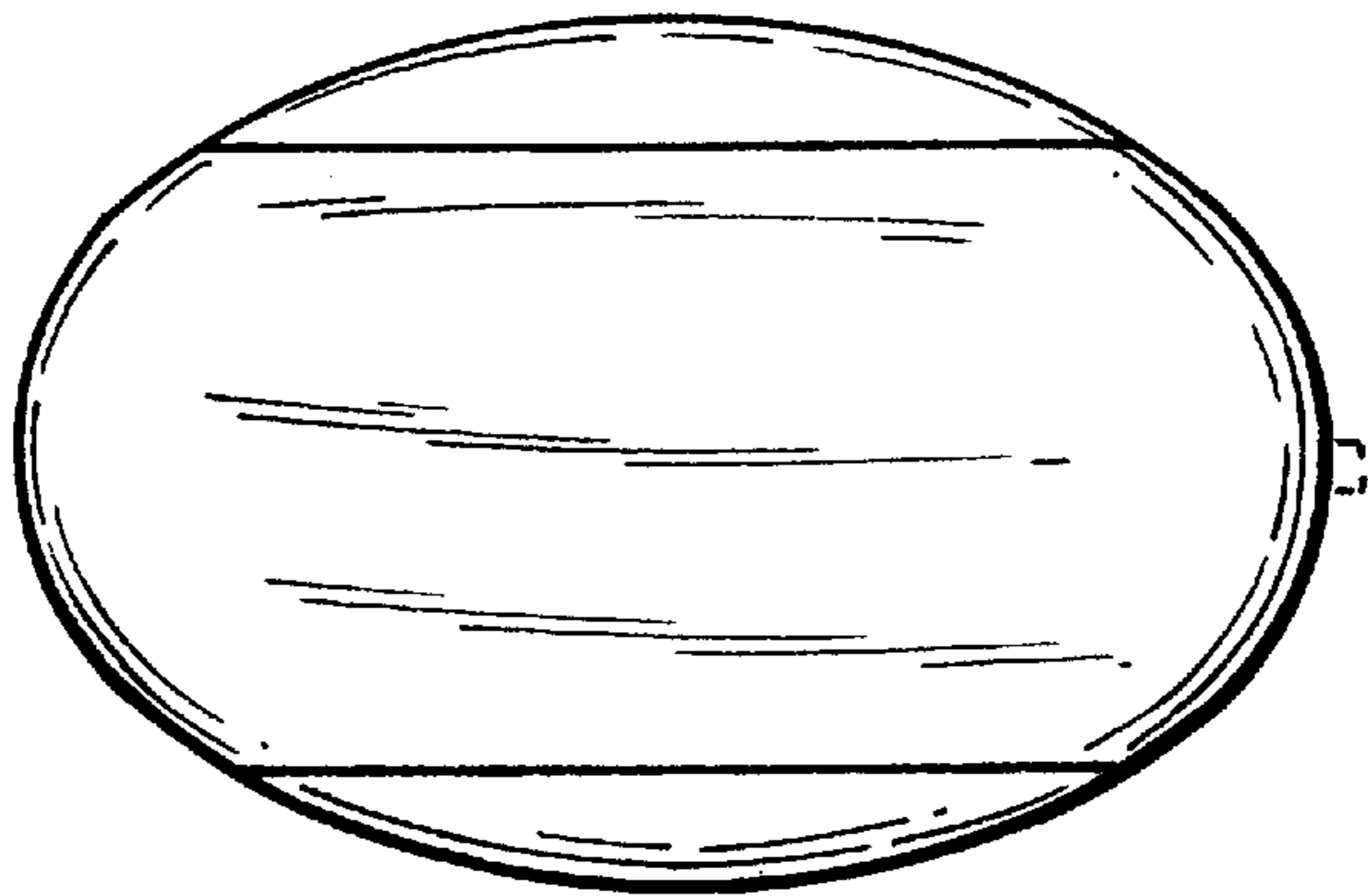
FIG. 1 is a perspective view of a cord clamp showing the new design;  
FIG. 2 is a top plan view thereof;  
FIG. 3 is an elevational view of one side thereof, the opposite side being the same as this one side;  
FIG. 4 is a bottom plan view thereof; and,  
FIG. 5 is a front side elevational view thereof, the back side being the same as the front side.  
The broken line portion of the disclosure are for illustrative purposes only and form no part of the claimed design.

**1 Claim, 2 Drawing Sheets**

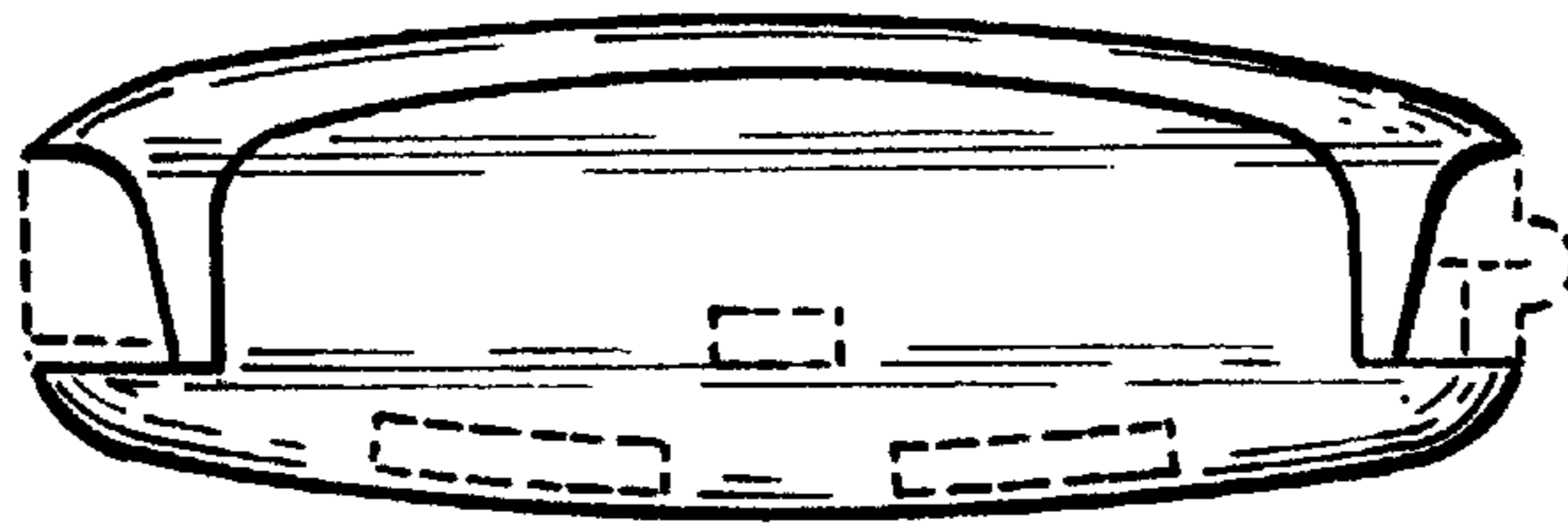




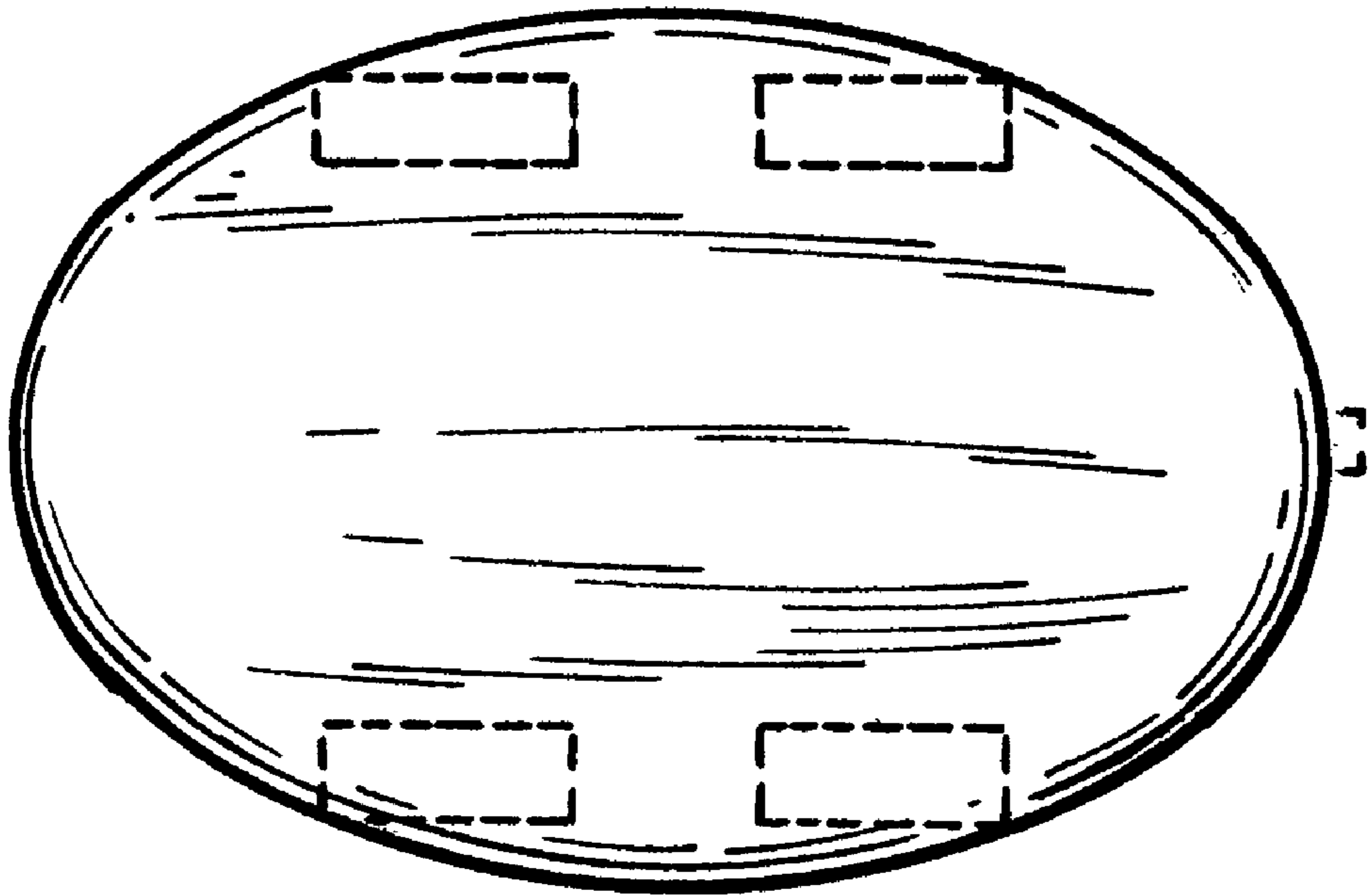
*Fig. 1*



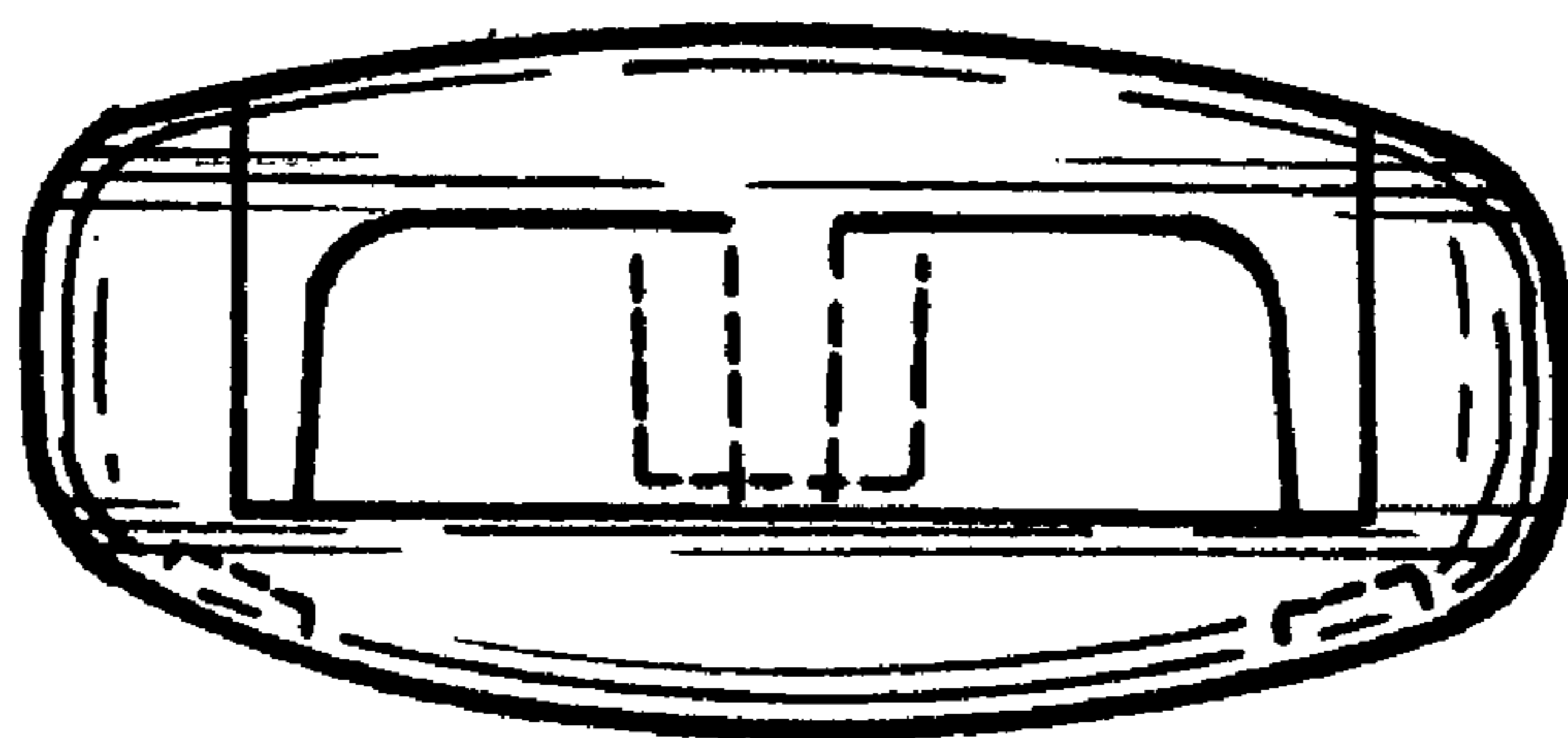
*Fig. 2.*



*Fig. 3*



*Fig. 4*



*Fig. 5*