



US00D47775S

(12) **United States Design Patent**  
**Adams et al.**

(10) **Patent No.:** **US D477,775 S**

(45) **Date of Patent:** **\*\* Jul. 29, 2003**

(54) **TWO PIECE JAW TYPE CLIP**

(75) Inventors: **William E. Adams**, Portersville, PA  
(US); **Matthew H. French**, Slippery  
Rock, PA (US)

(73) Assignee: **Adams Mfg. Corp.**, Portersville, PA  
(US)

(\*\*) Term: **14 Years**

(21) Appl. No.: **29/159,746**

(22) Filed: **Apr. 26, 2002**

(51) **LOC (7) Cl.** ..... **08-08**

(52) **U.S. Cl.** ..... **D8/395; D19/65**

(58) **Field of Search** ..... D8/394, 395, 39,  
D8/40; D18/65, 88; D21/576, 584, 597,  
599, 600, 626, 650; 24/67 R, 67.1-67.11,  
455, 489, 513, 495, 496, 499, 500-502,  
508, 530, 510, 511

(56) **References Cited**

**U.S. PATENT DOCUMENTS**

353,482 A	*	11/1886	Cottle	.....	24/510
746,844 A	*	12/1903	Jordan	.....	24/510
D137,693 S	*	4/1944	Reinecke	.....	D21/599
D142,161 S	*	8/1945	Braund	.....	D21/597
2,464,739 A		3/1949	Solomon et al.		
3,030,681 A		4/1962	Phillips		
3,597,813 A		8/1971	Takahashi		
3,756,550 A		9/1973	Kollitz		
4,277,864 A		7/1981	Orson, Sr.		
D269,985 S	*	8/1983	Gibbons	.....	D21/600

D271,406 S	*	11/1983	Osborne	.....	D21/650
D286,013 S		10/1986	Adams		
4,840,341 A		6/1989	Hasegawa		
4,987,659 A		1/1991	Grandis		
5,153,969 A		10/1992	Arrendiell et al.		
5,179,768 A		1/1993	Jio		
5,301,393 A		4/1994	Brown		
D349,312 S	*	8/1994	Whalen	.....	D21/576
5,452,500 A		9/1995	Revis		
6,073,318 A		6/2000	Phillips		
D428,202 S	*	7/2000	Tsai	.....	D28/40
6,393,668 B1	*	5/2002	Olson et al.	.....	24/67.9
D464,685 S	*	10/2002	Weiser et al.	.....	D21/650

\* cited by examiner

*Primary Examiner*—Louis S. Zarfaz

*Assistant Examiner*—Deanne Levy

(74) *Attorney, Agent, or Firm*—Buchanan Ingersoll, P.C.

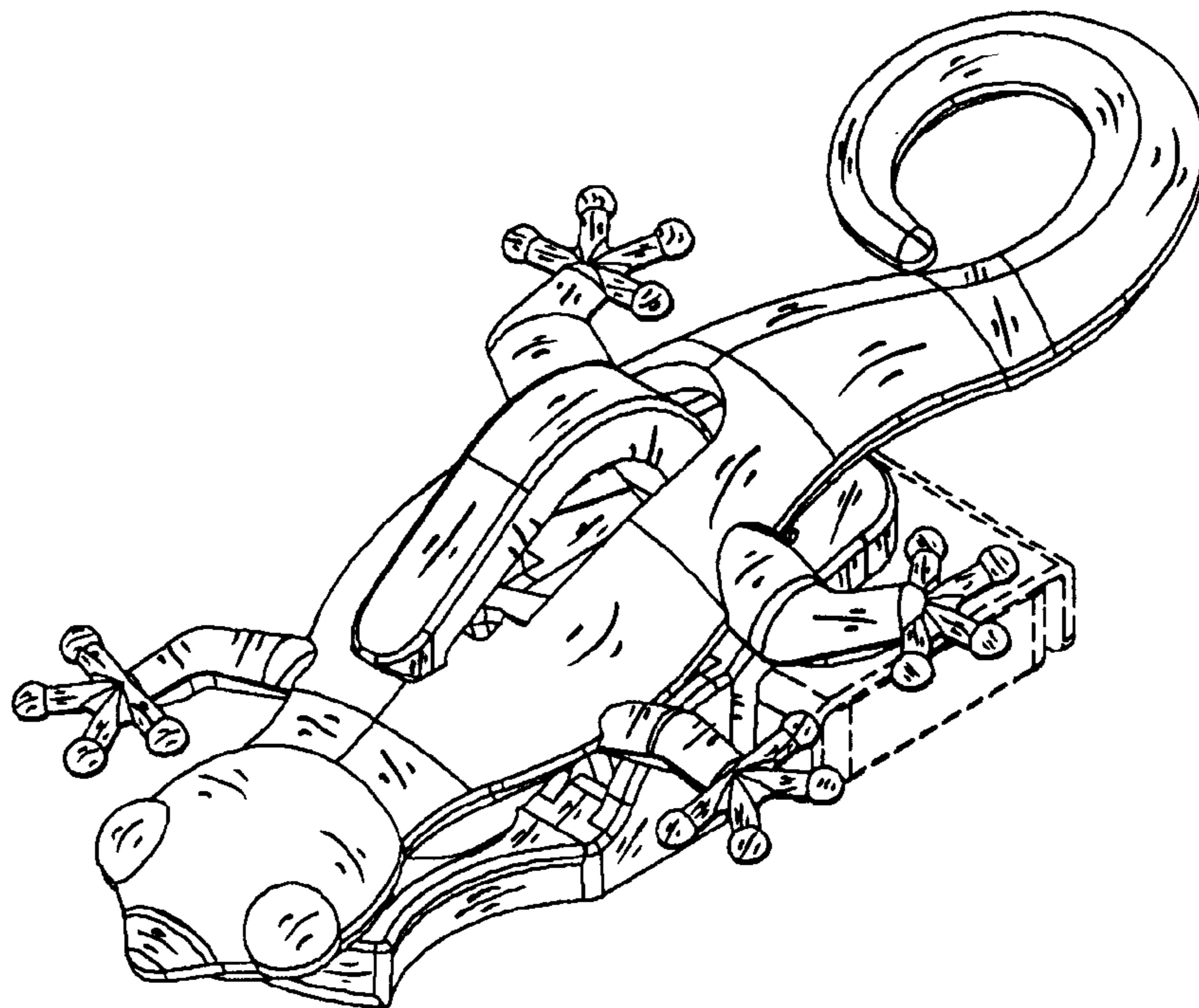
(57) **CLAIM**

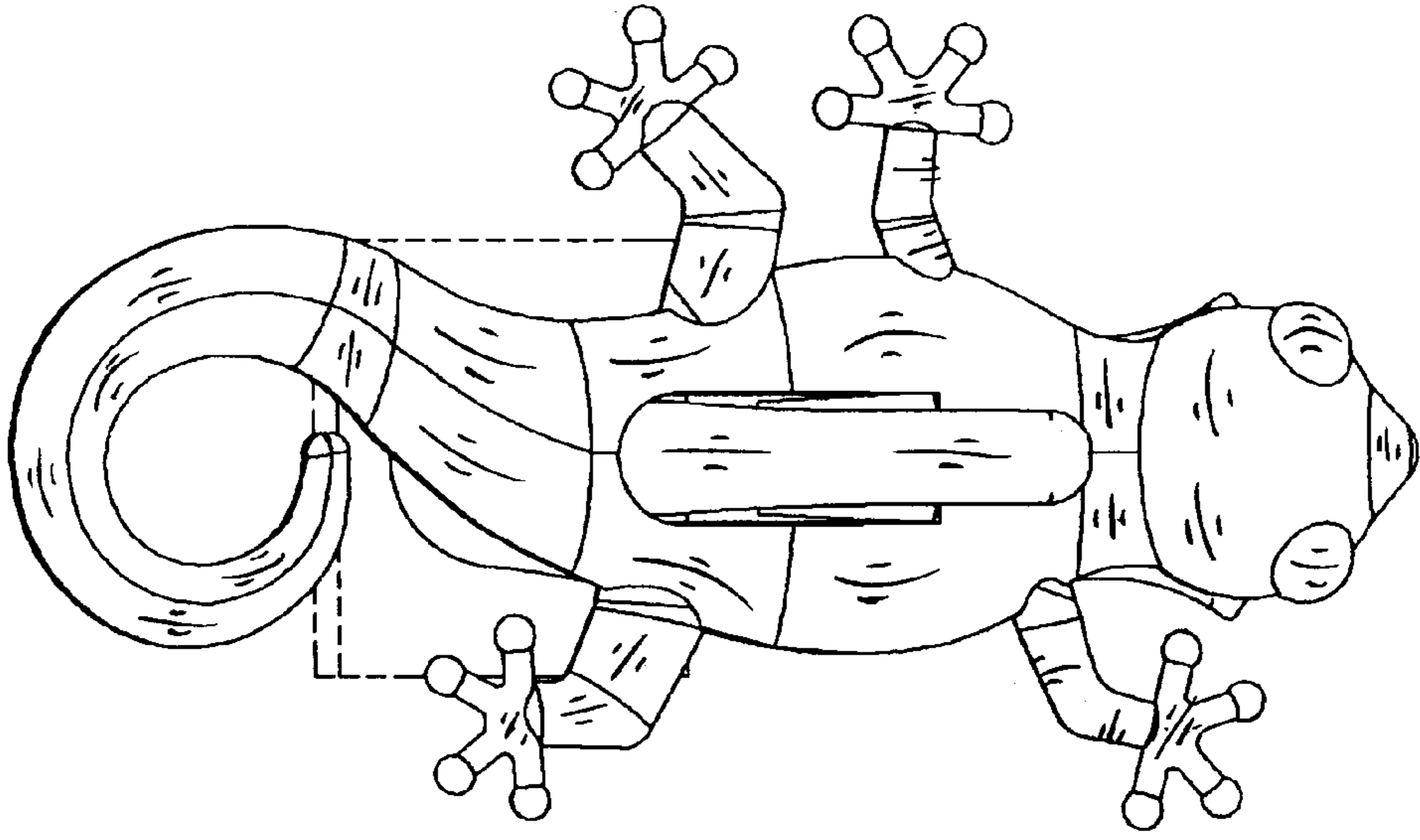
An ornamental design for a two piece jaw type clip, as shown and described.

**DESCRIPTION**

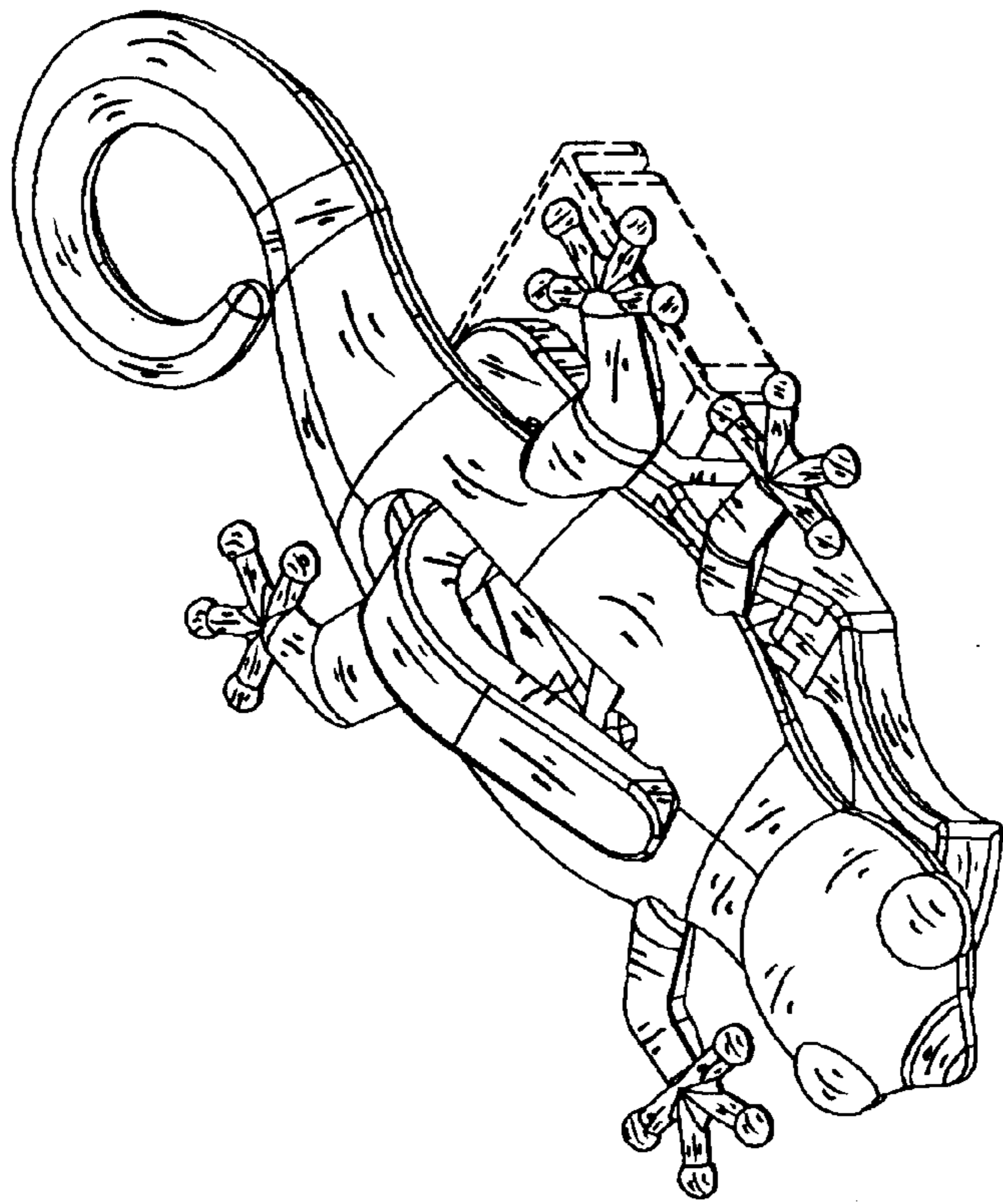
FIG. 1 is a perspective view of our two piece jaw type clip; FIG. 2 is a top plan view thereof; FIG. 3 is a front view thereof; FIG. 4 is a left side view, the right side being a mirror image thereof; FIG. 5 is a bottom view thereof; and, FIG. 6 is a rear view thereof. A magnet is shown in dotted line for illustrative purposes and forms no part of the present design.

**1 Claim, 3 Drawing Sheets**

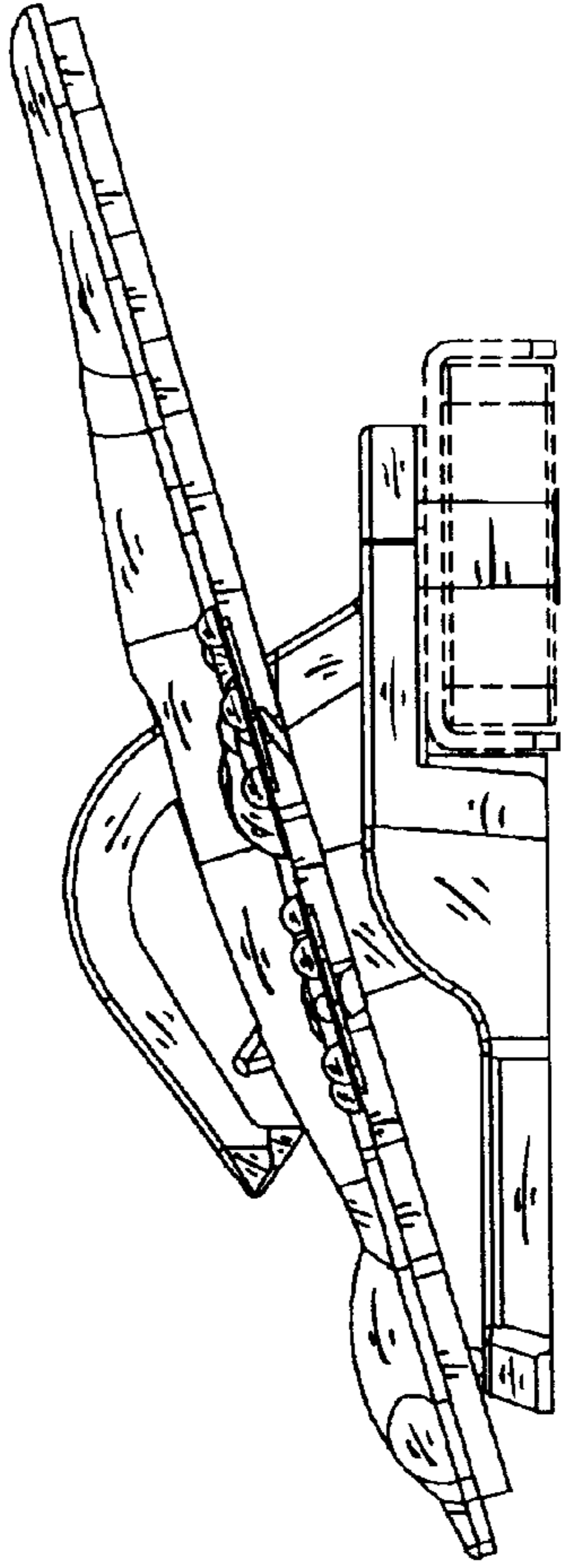




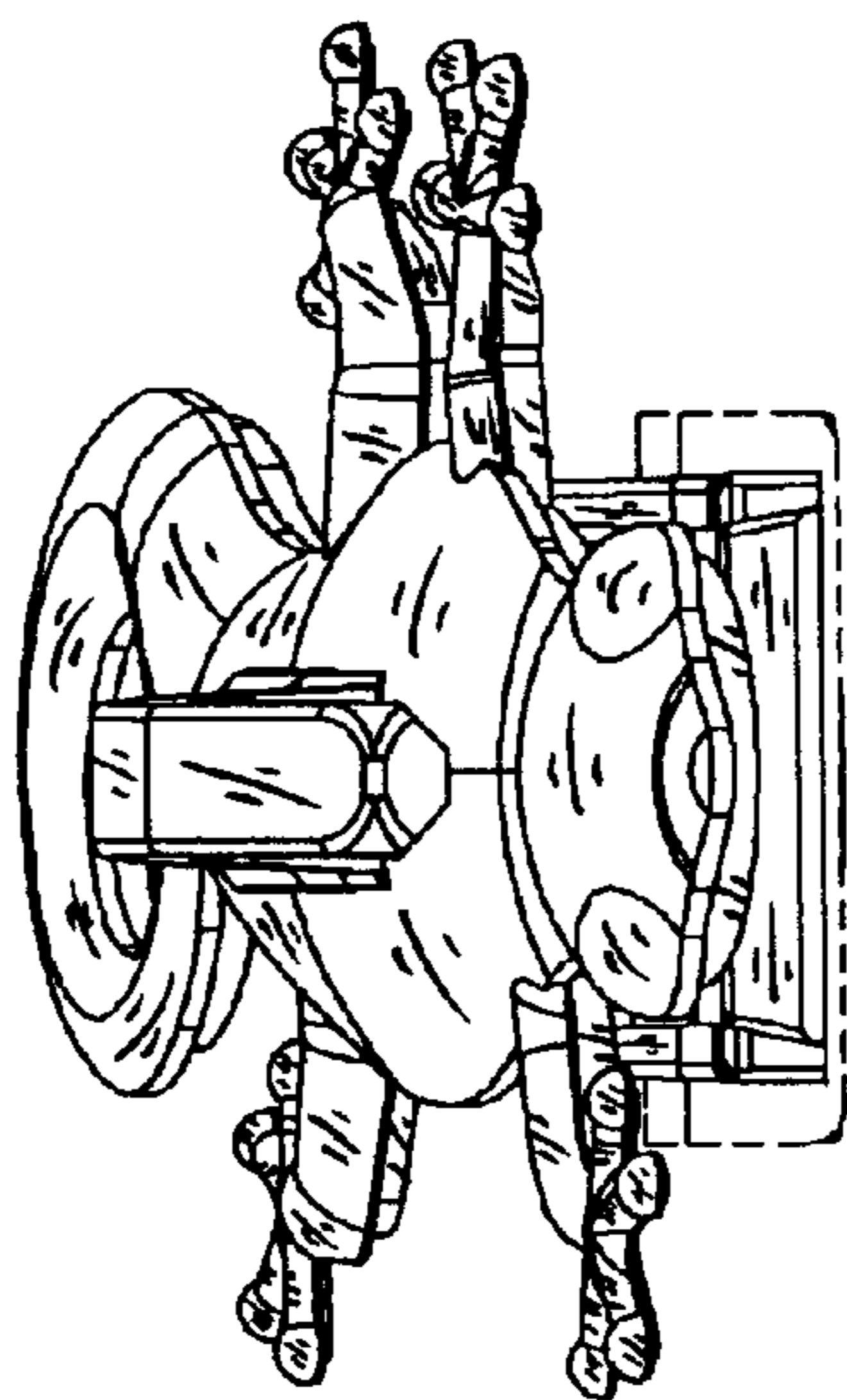
**FIG. 2**



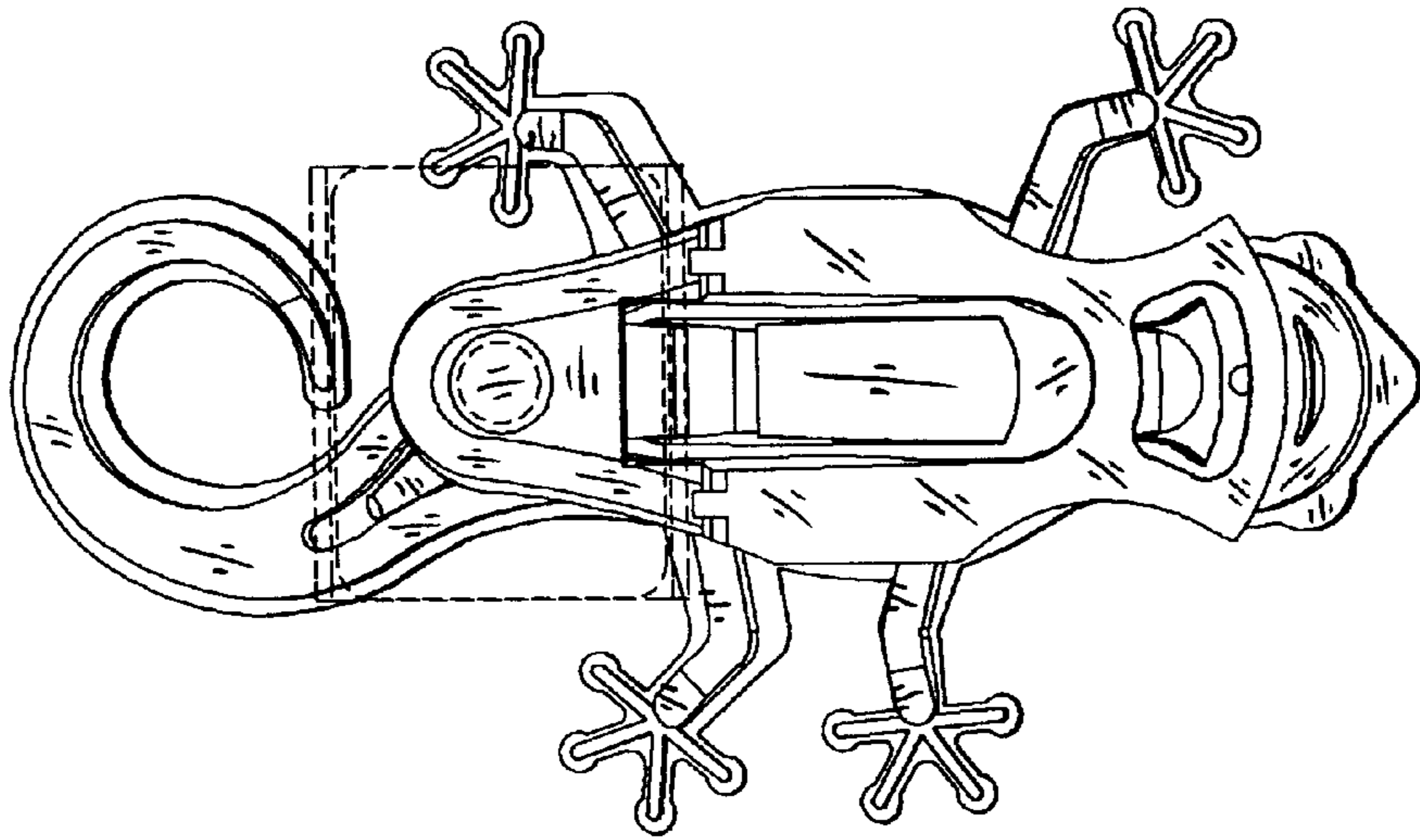
**FIG. 1**



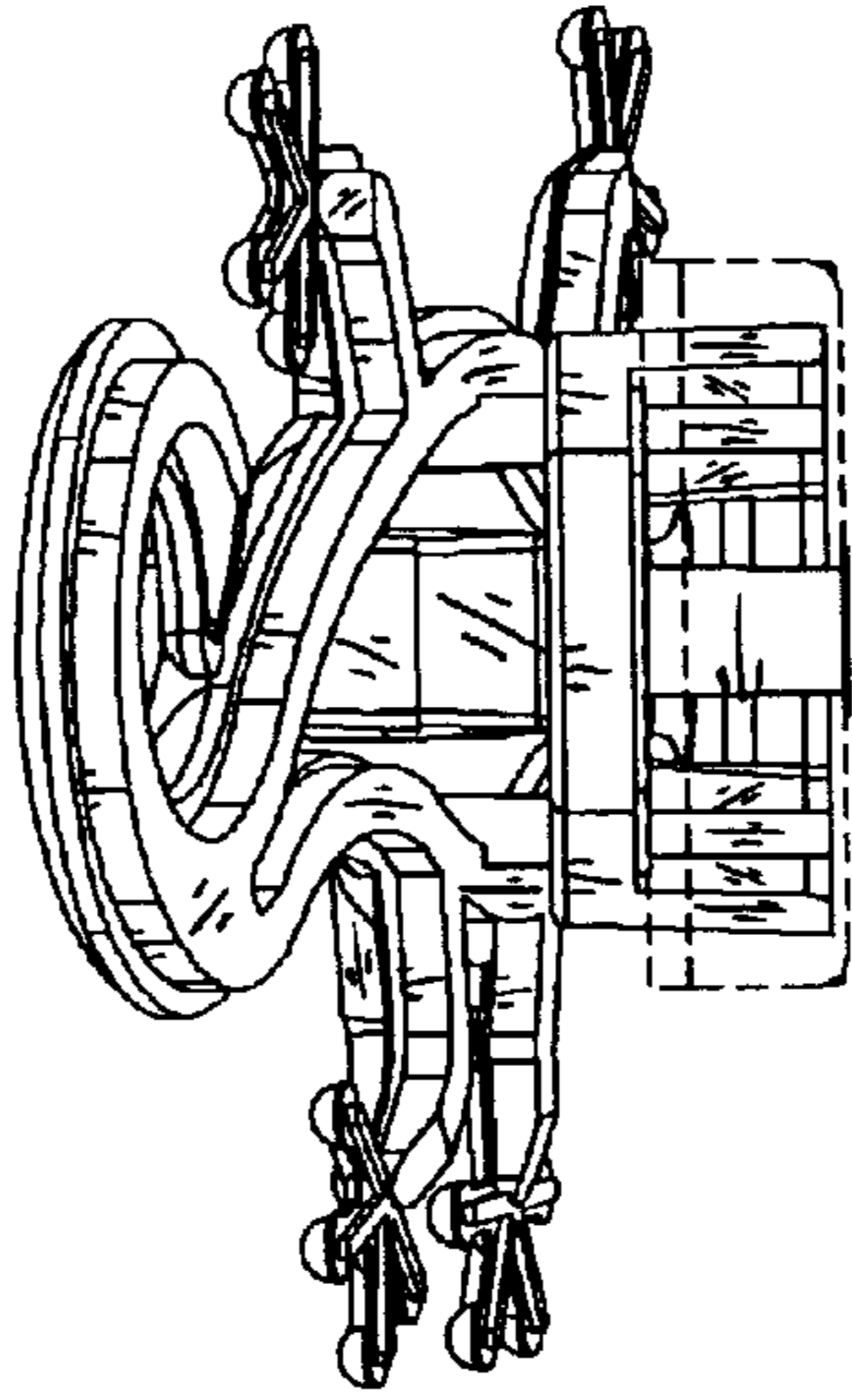
**FIG. 3**



**FIG. 4**



**FIG. 5**



**FIG. 6**