



US00D47772S

(12) **United States Design Patent**
Nezu

(10) **Patent No.:** **US D477,772 S**

(45) **Date of Patent:** **** Jul. 29, 2003**

(54) **CORD HOLDER**

(75) Inventor: **Mikio Nezu**, Suita (JP)

(73) Assignee: **Nifco Inc.**, Yokohama (JP)

(**) Term: **14 Years**

(21) Appl. No.: **29/170,478**

(22) Filed: **Nov. 7, 2002**

(30) **Foreign Application Priority Data**

May 20, 2002 (JP) 2002 013333

(51) **LOC (7) Cl.** **08-08**

(52) **U.S. Cl.** **D8/383**; D11/215

(58) **Field of Search** D2/639, 978; D3/318;
D8/354, 356, 382, 383, 394, 395; D11/200,
214, 215, 216, 218, 228; 24/115 G, 115 M,
115 R, 129 A, 129 W, 136 L, 136 R

(56) **References Cited**

U.S. PATENT DOCUMENTS

- D251,478 S * 4/1979 Boden D8/383
- 5,337,458 A * 8/1994 Fukutomi et al. 24/115 H
- 5,345,657 A * 9/1994 Shimizu 24/115 G

- D430,484 S * 9/2000 Ikeda D11/215
- D439,148 S * 3/2001 Ishii D11/215
- D439,507 S * 3/2001 Ikeda D11/215
- D451,369 S * 12/2001 Murata D8/383
- D452,138 S * 12/2001 Murata D8/383

* cited by examiner

Primary Examiner—Doris V. Coles

Assistant Examiner—Elizabeth Albert

(74) *Attorney, Agent, or Firm*—Kanesaka & Takeuchi

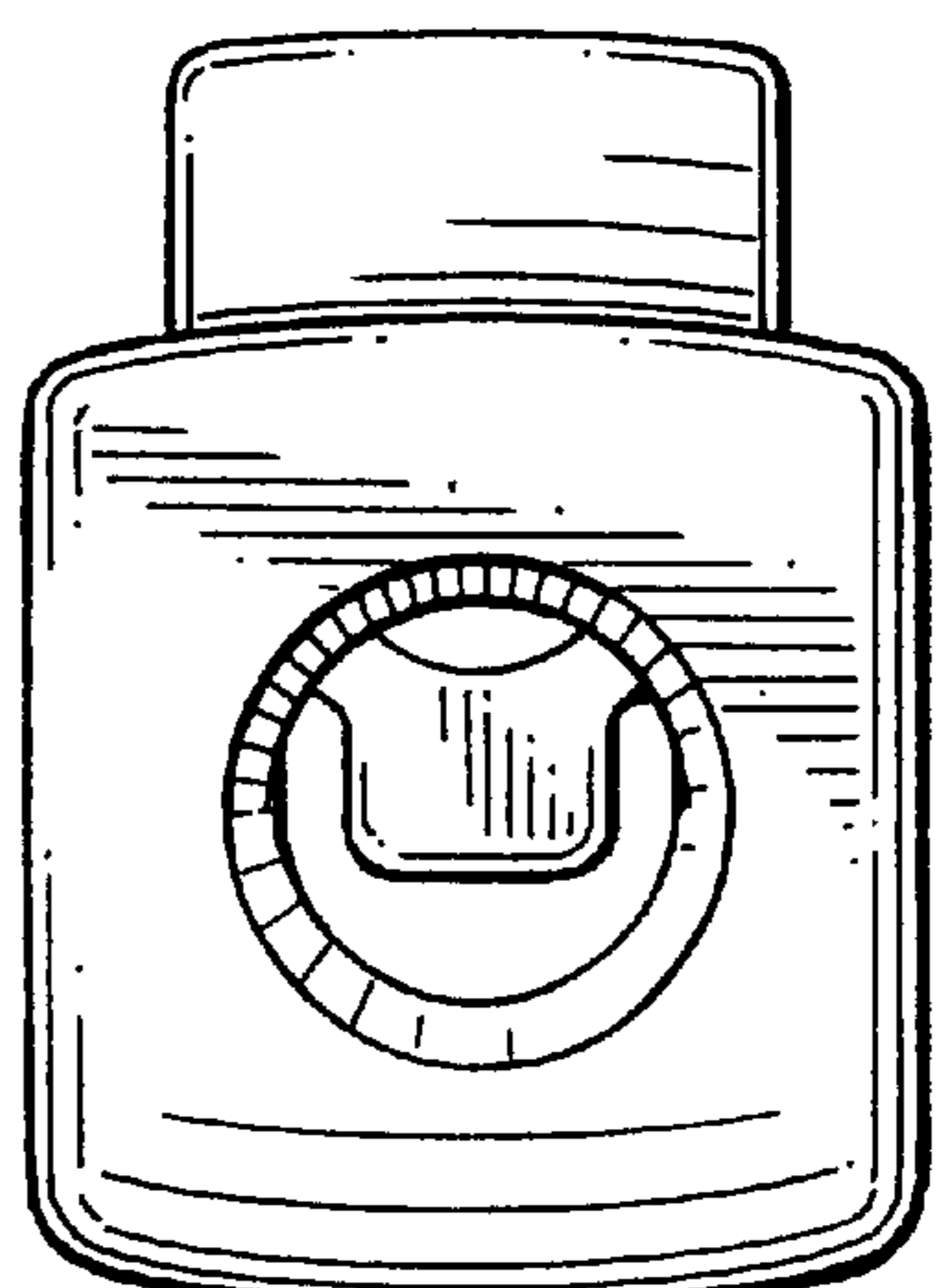
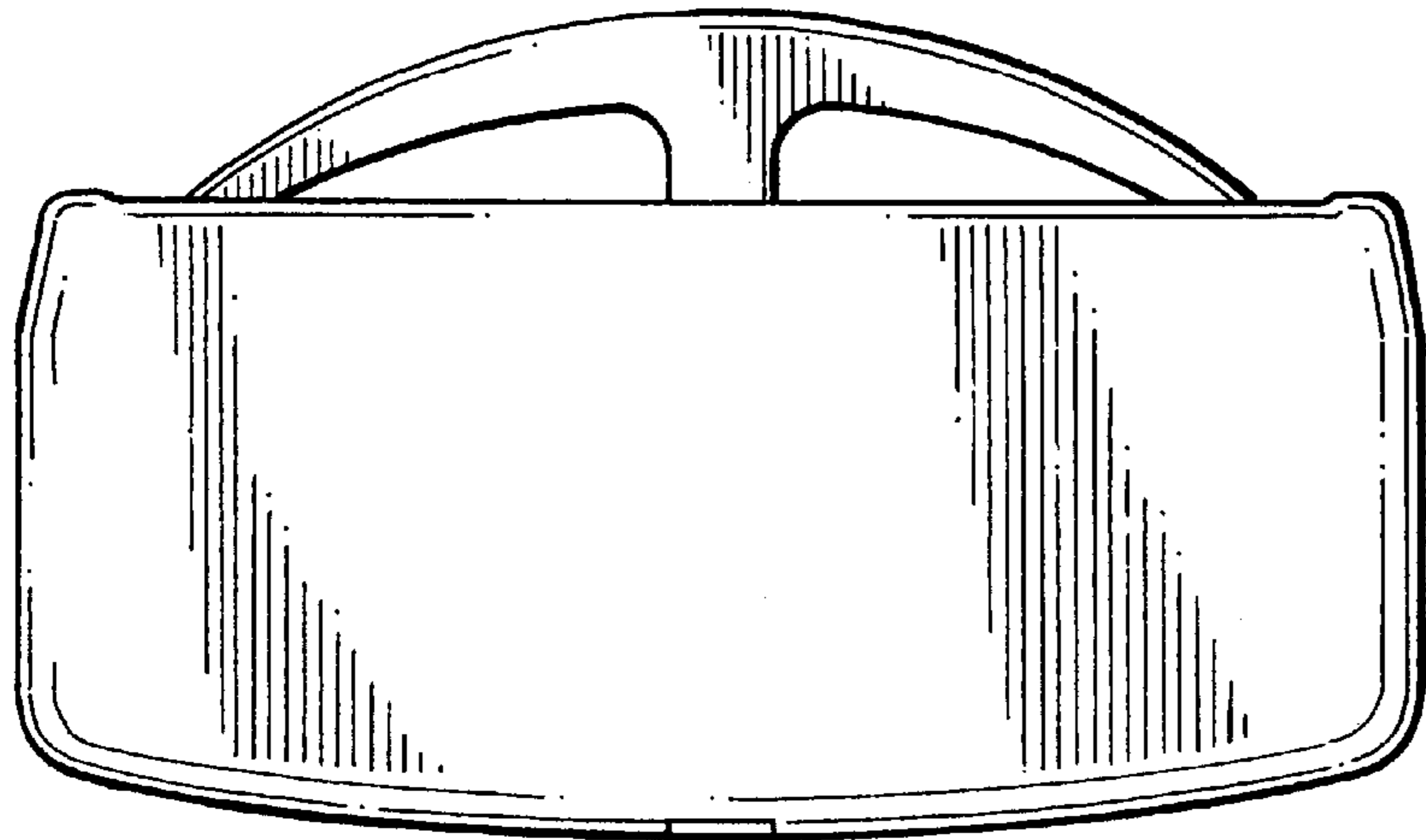
(57) **CLAIM**

The ornamental design for a cord holder, as shown and described.

DESCRIPTION

FIG. 1 is a plan view of a cord holder showing my new design;
 FIG. 2 is a bottom plan view thereof;
 FIG. 3 is a front view thereof;
 FIG. 4 is a right view thereof;
 FIG. 5 is a cross sectional view taken along line 5—5 of FIG. 1; and,
 FIG. 6 is a cross sectional view taken along line 6—6 of FIG. 1.

1 Claim, 3 Drawing Sheets



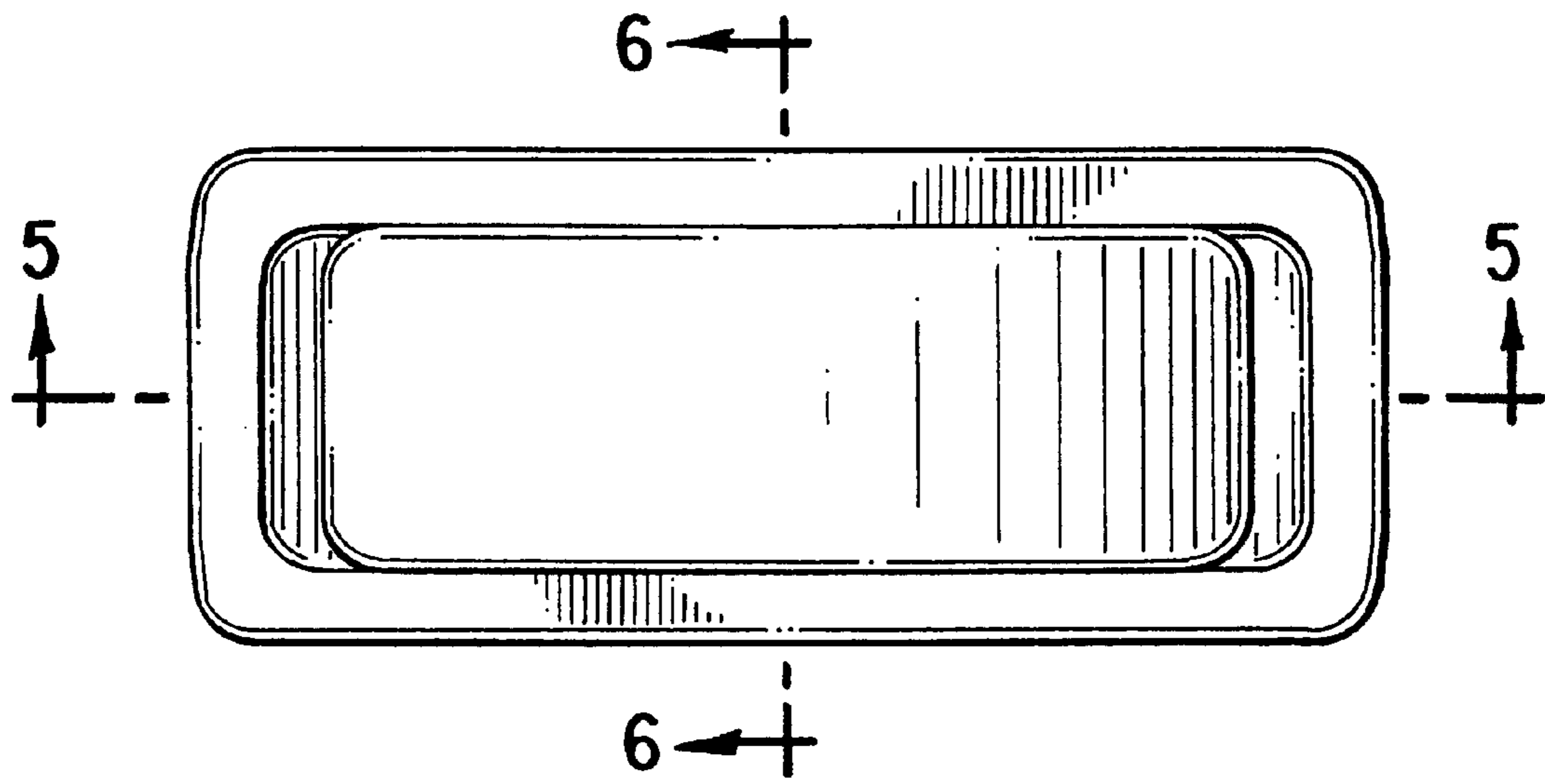


FIG. 1

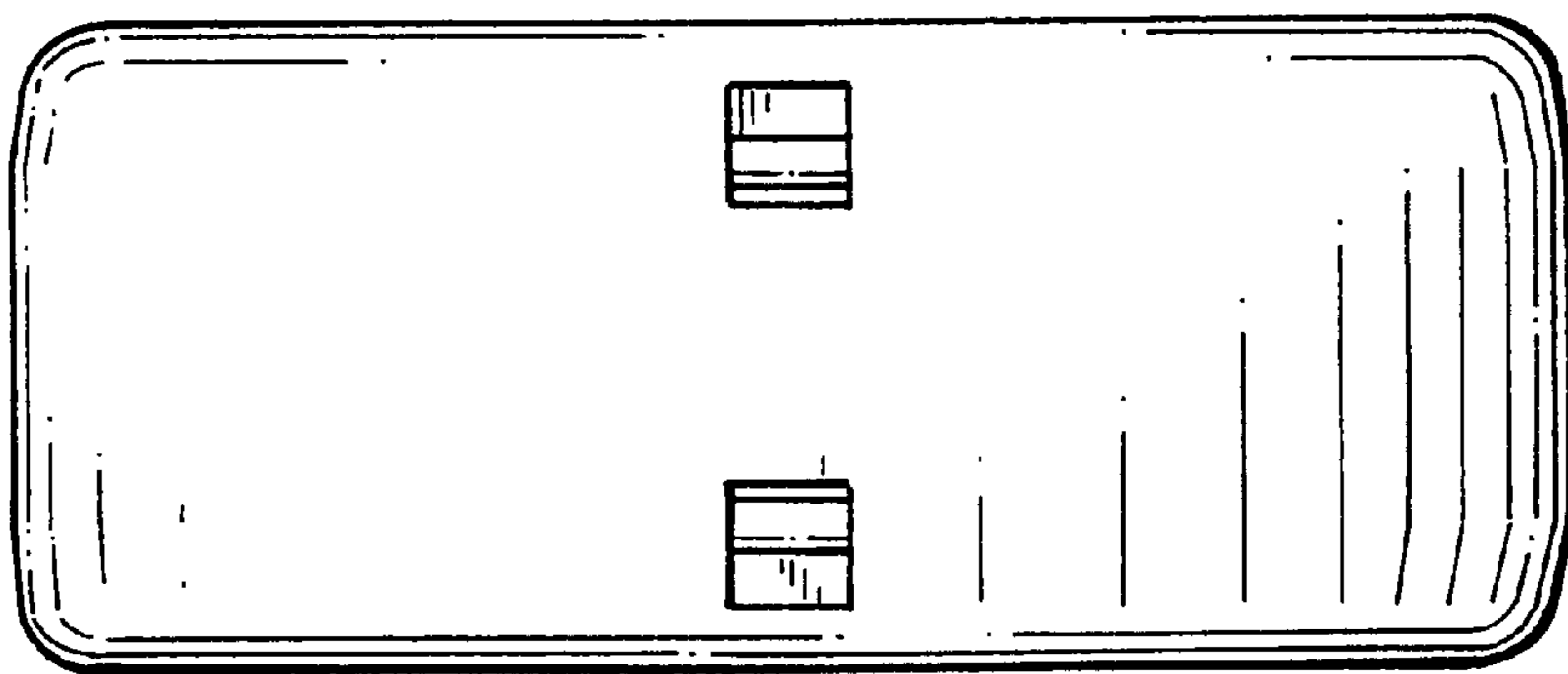


FIG. 2

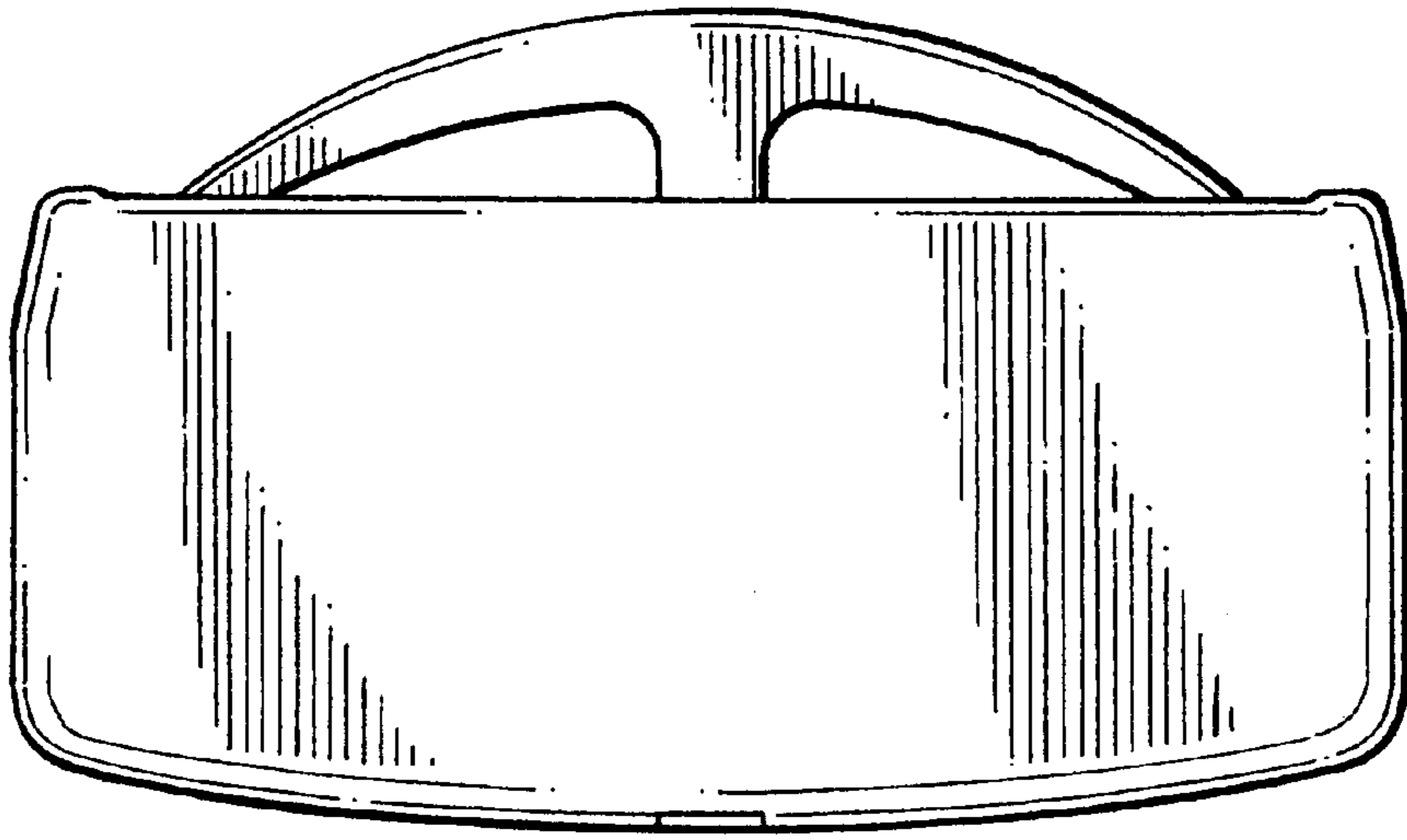


FIG. 3

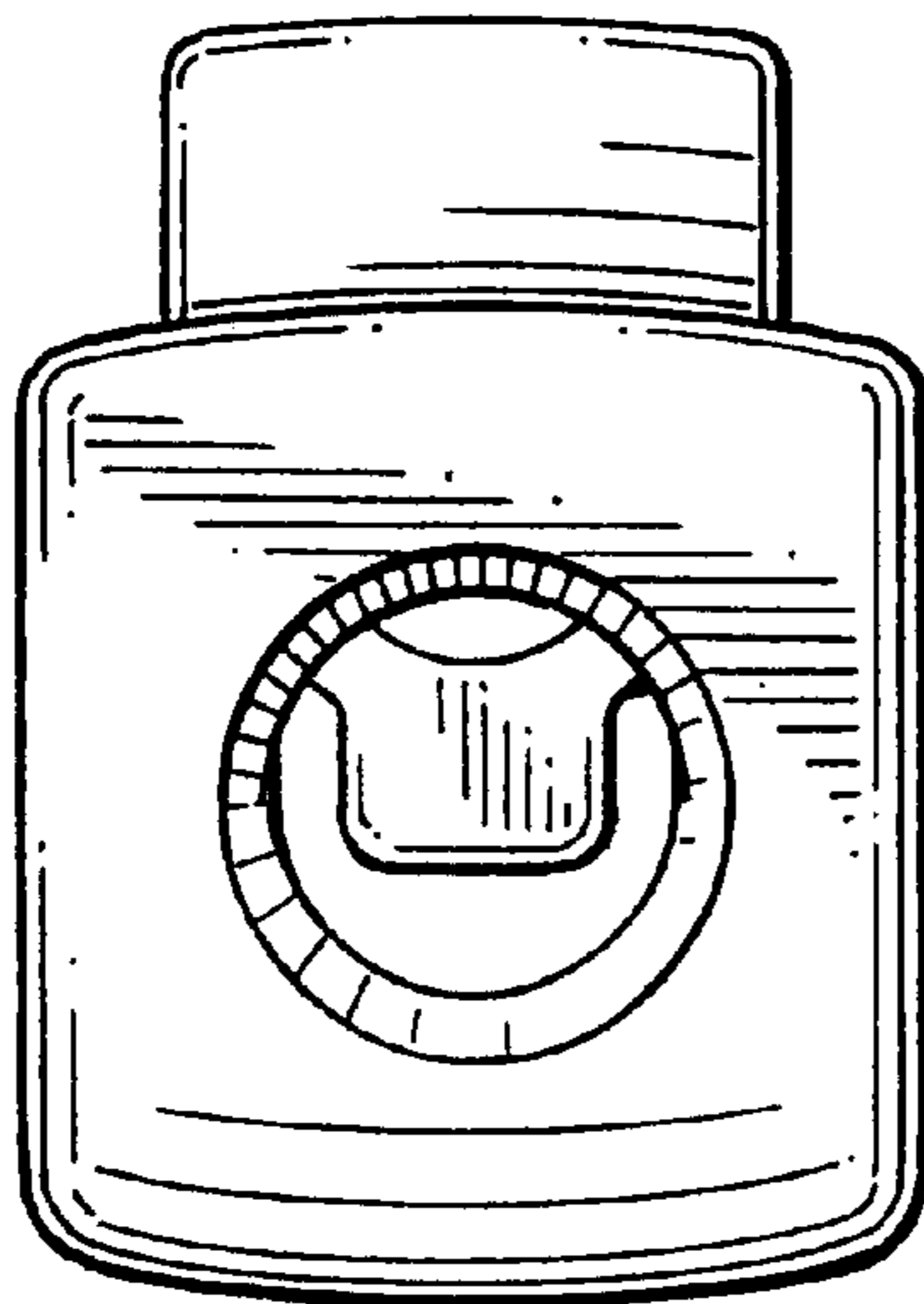


FIG. 4

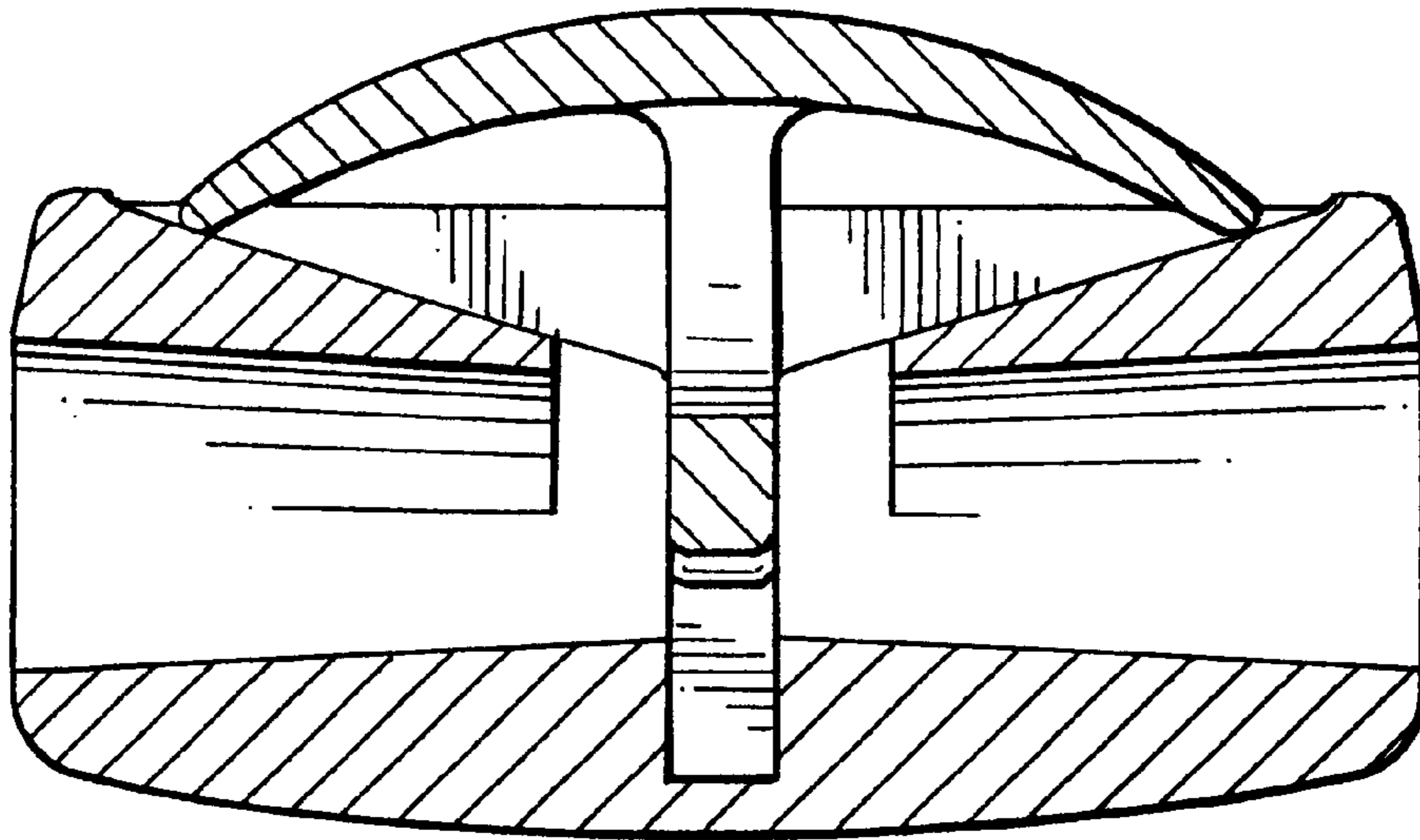


FIG. 5

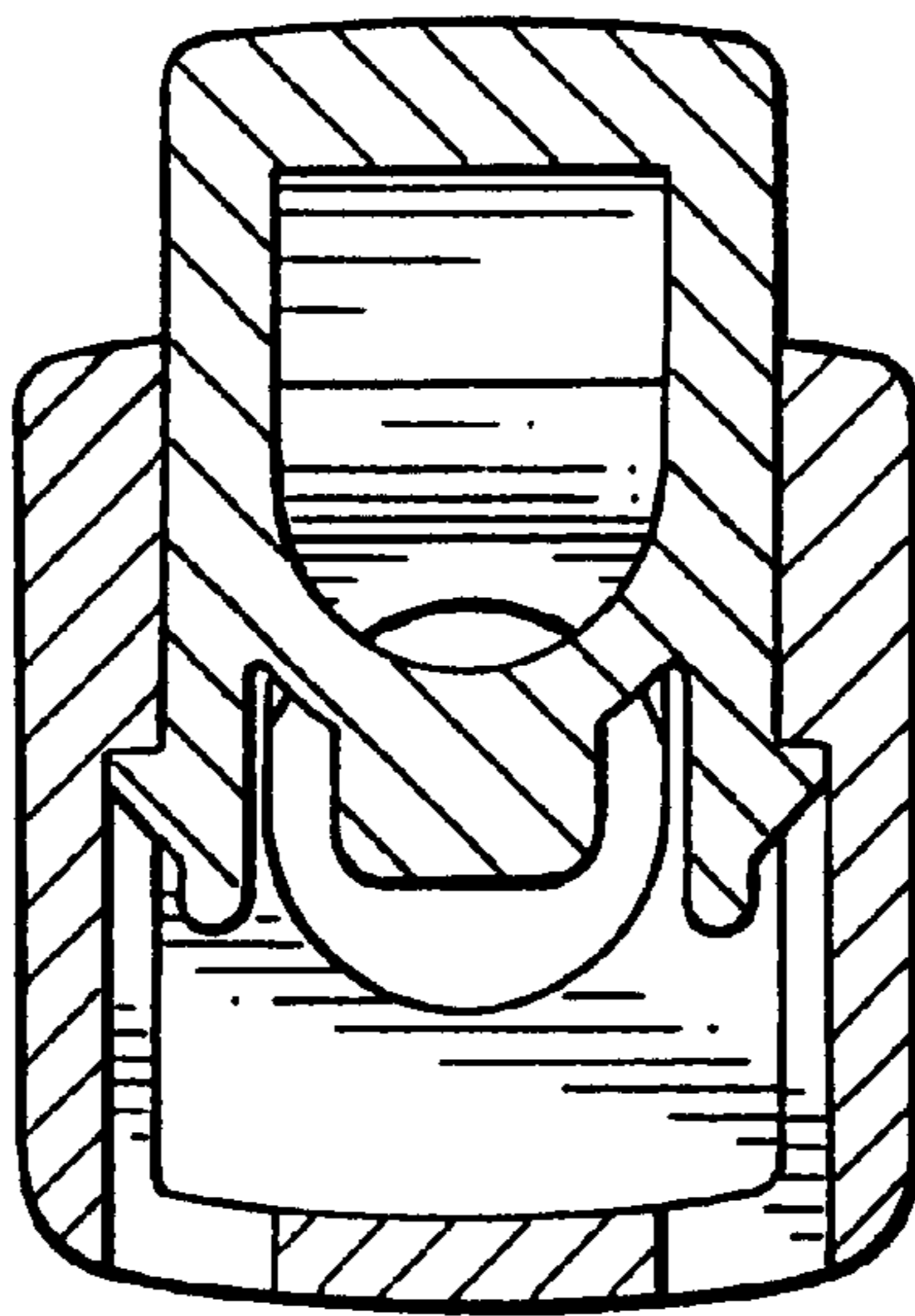


FIG. 6