



US00D47771S

(12) **United States Design Patent**
Nemoto

(10) **Patent No.:** **US D477,771 S**

(45) **Date of Patent:** **** Jul. 29, 2003**

(54) **MALE MEMBER OF A CONNECTOR**

(75) Inventor: **Takehiko Nemoto**, Hiroshima (JP)

(73) Assignee: **NIFCO Inc.**, Yokohama (JP)

(**) Term: **14 Years**

(21) Appl. No.: **29/170,201**

(22) Filed: **Nov. 4, 2002**

Related U.S. Application Data

(62) Division of application No. 29/160,684, filed on May 16, 2002, now Pat. No. Des. 471,084.

(30) **Foreign Application Priority Data**

Nov. 19, 2001 (JP) 2001-033815

(51) **LOC (7) Cl.** **08-08**

(52) **U.S. Cl.** **D8/382**

(58) **Field of Search** D8/382, 499, 394-396;
411/109, 968, 455, 451.1, 15, 45, 48, 51,
55, 937.1, 500, 508-510, 913, 923; 24/453

(56) **References Cited**

U.S. PATENT DOCUMENTS

4,427,328 A * 1/1984 Kojima 411/508
4,506,419 A * 3/1985 Mitomi 24/297
4,524,494 A * 6/1985 Sato et al. 24/453

4,527,821 A * 7/1985 Tanaka 292/19
4,712,939 A * 12/1987 Fujimoto 403/24
D299,004 S * 12/1988 Fujimoto D8/382
5,333,965 A * 8/1994 Mailey 403/326
5,393,185 A * 2/1995 Duffy, Jr. 411/510
D382,468 S * 8/1997 Takahashi D8/382

* cited by examiner

Primary Examiner—Clare E. Hefflin

(74) *Attorney, Agent, or Firm*—Kanesaka & Takeuchi

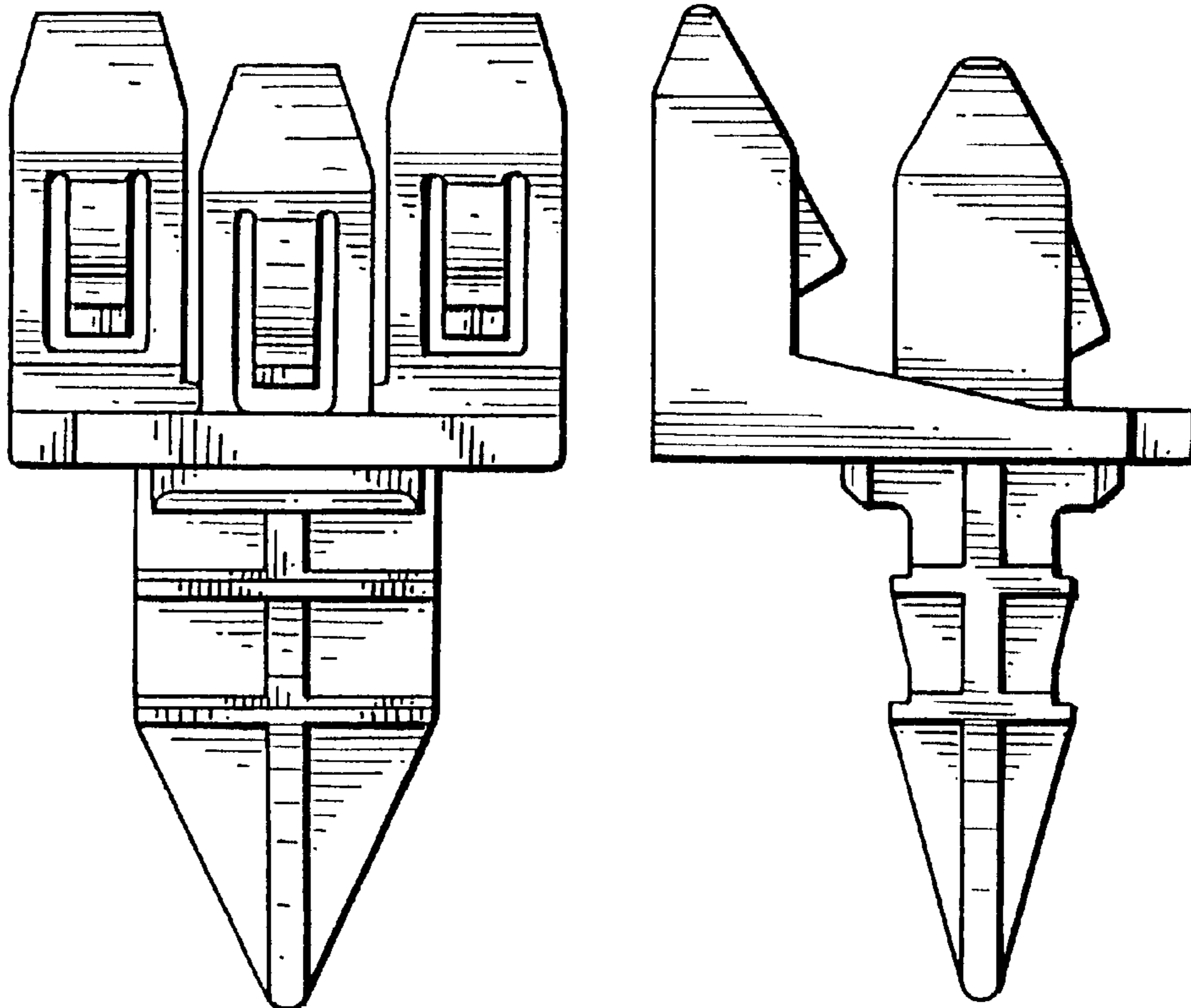
(57) **CLAIM**

The ornamental design for a male member of a connector, as shown and described.

DESCRIPTION

FIG. 1 is a front view of an example of a male member of a connector showing my new design;
FIG. 2 is a top plan view thereof;
FIG. 3 is a rear view thereof;
FIG. 4 is a bottom plan view thereof;
FIG. 5 is a left side view thereof;
FIG. 6 is a right side view thereof;
FIG. 7 is a cross sectional view taken along line 7—7 in FIG. 2;
FIG. 8 is a cross sectional view taken along line 8—8 in FIG. 2; and,
FIG. 9 is a cross sectional view taken along line 9—9 in FIG. 2.

1 Claim, 3 Drawing Sheets



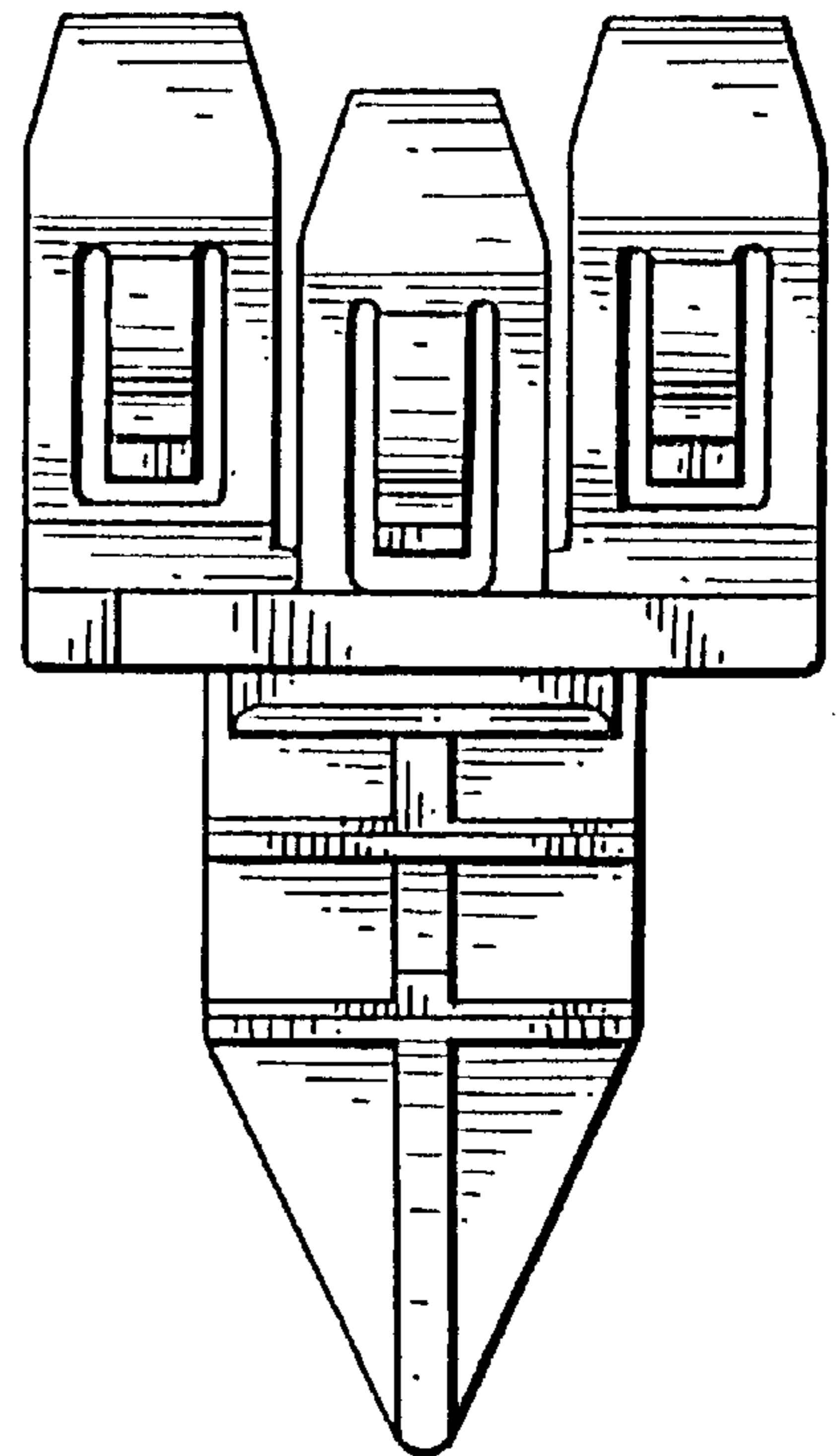


Fig. 1

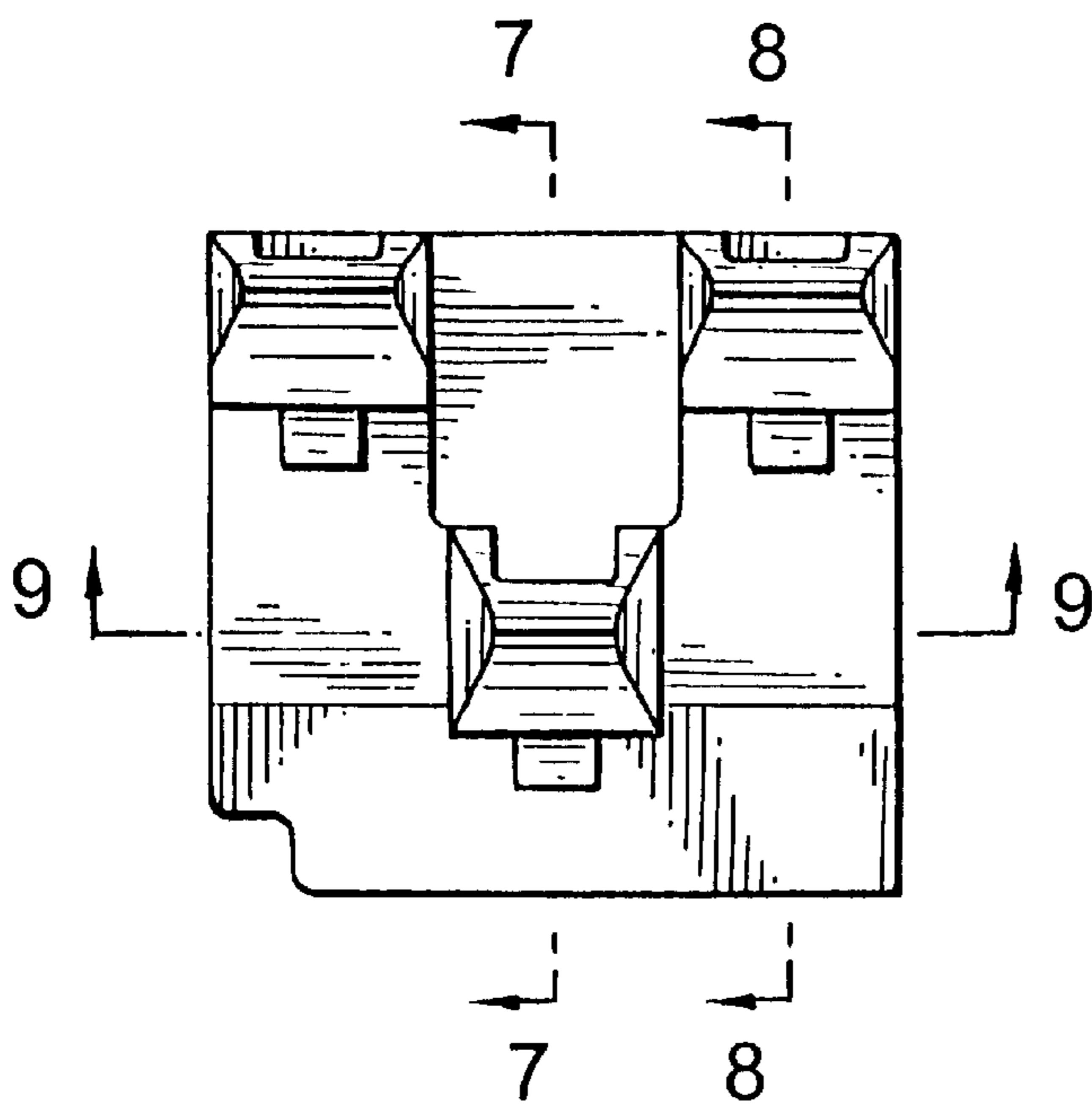


Fig. 2

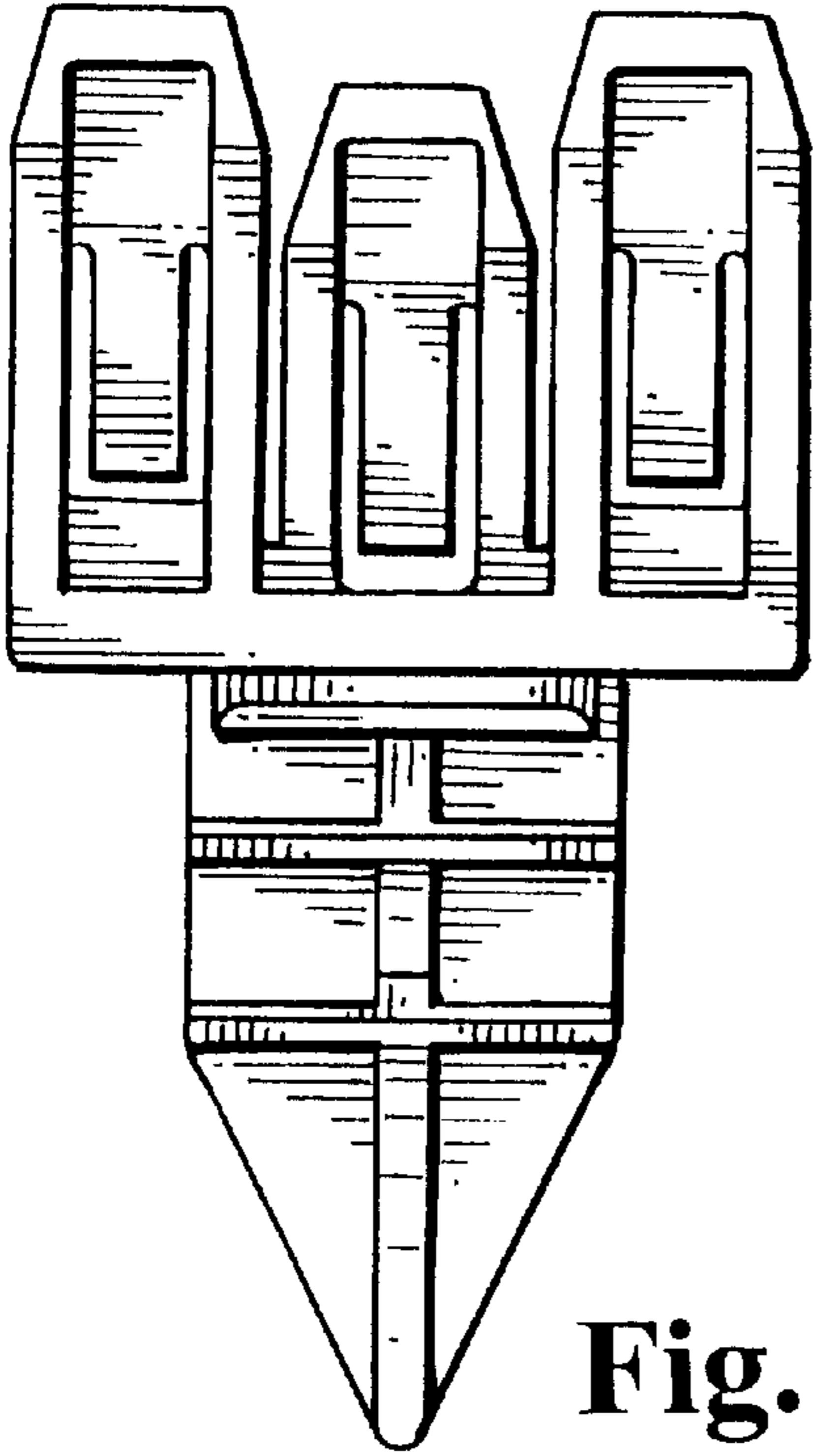


Fig. 3

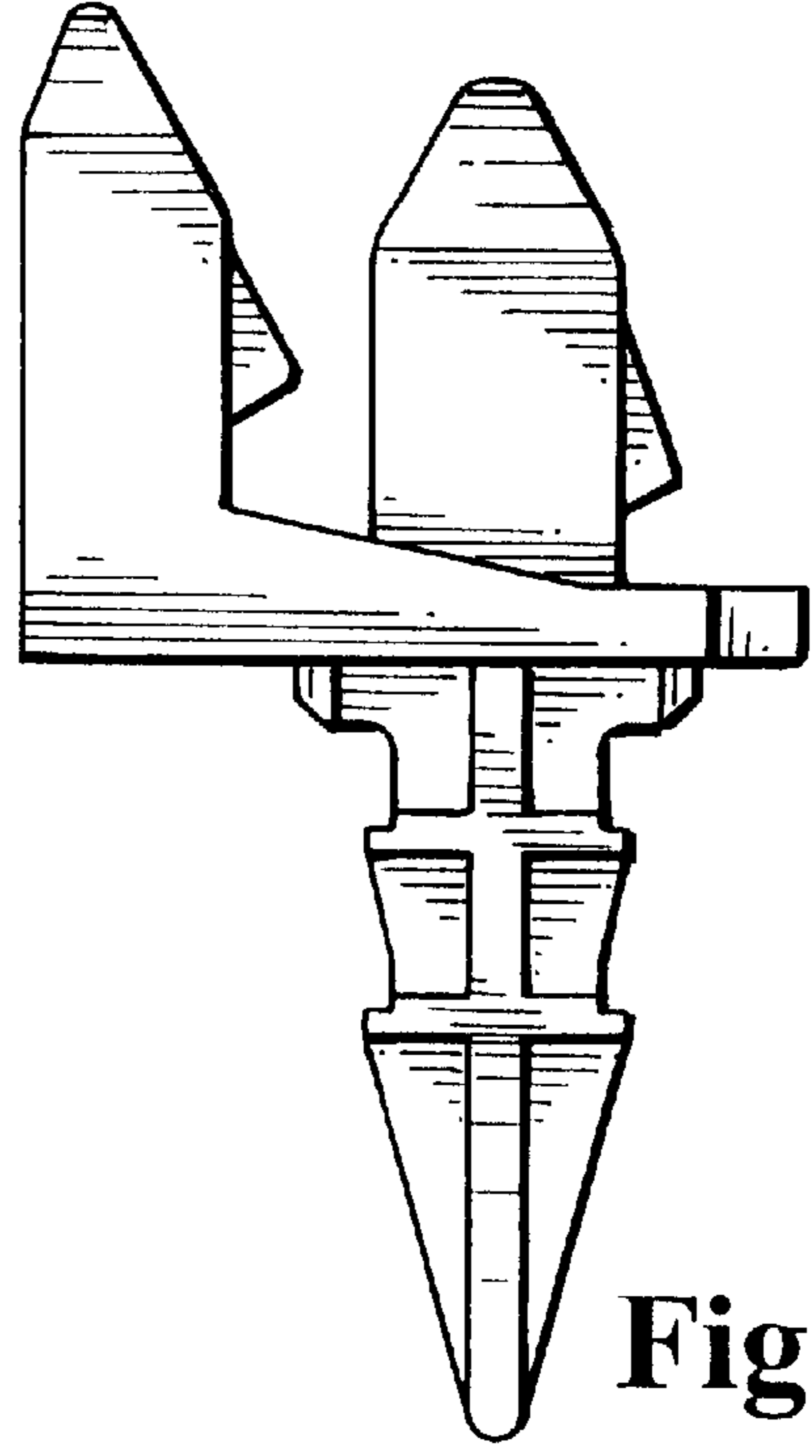


Fig. 5

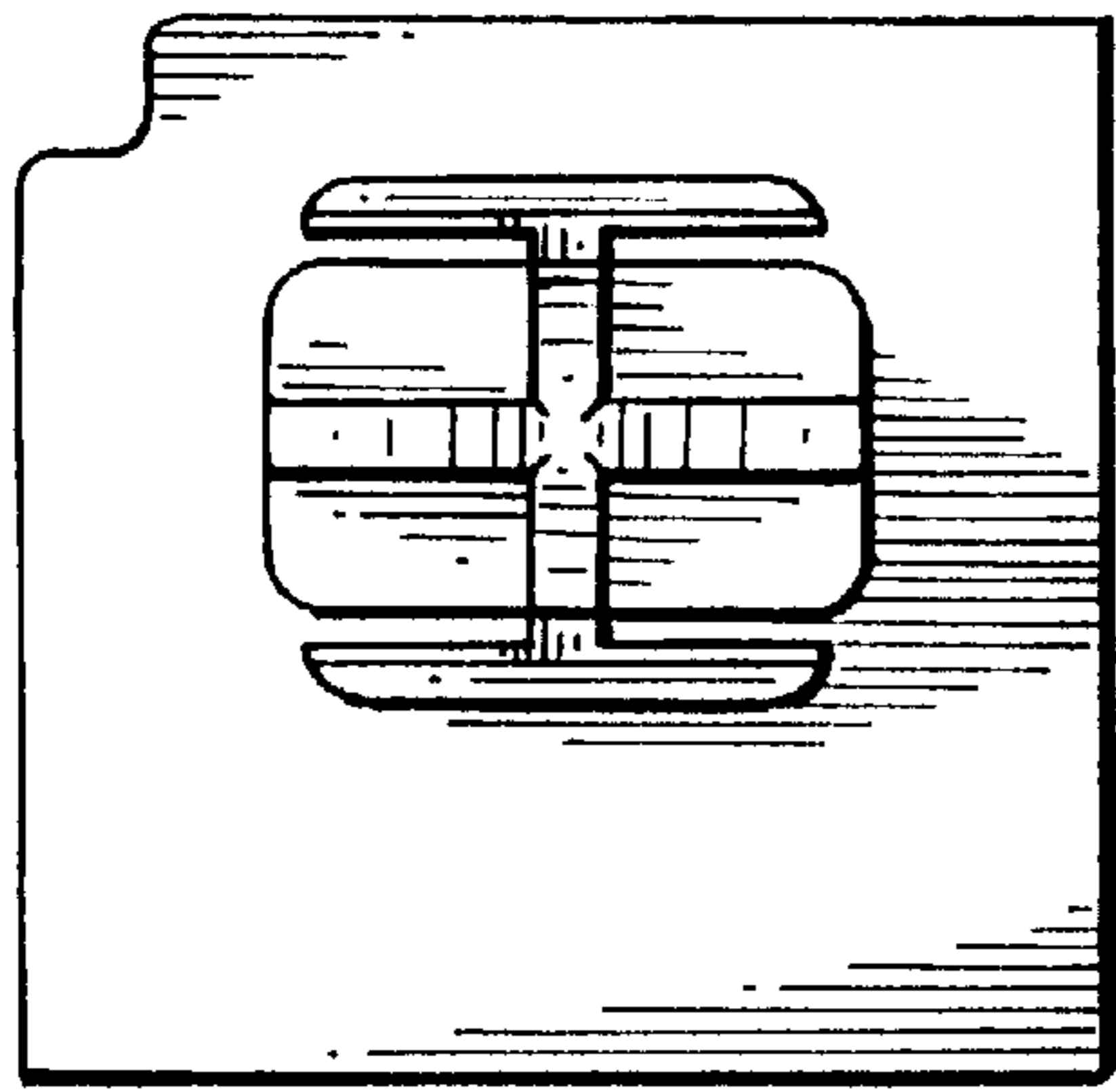


Fig. 4

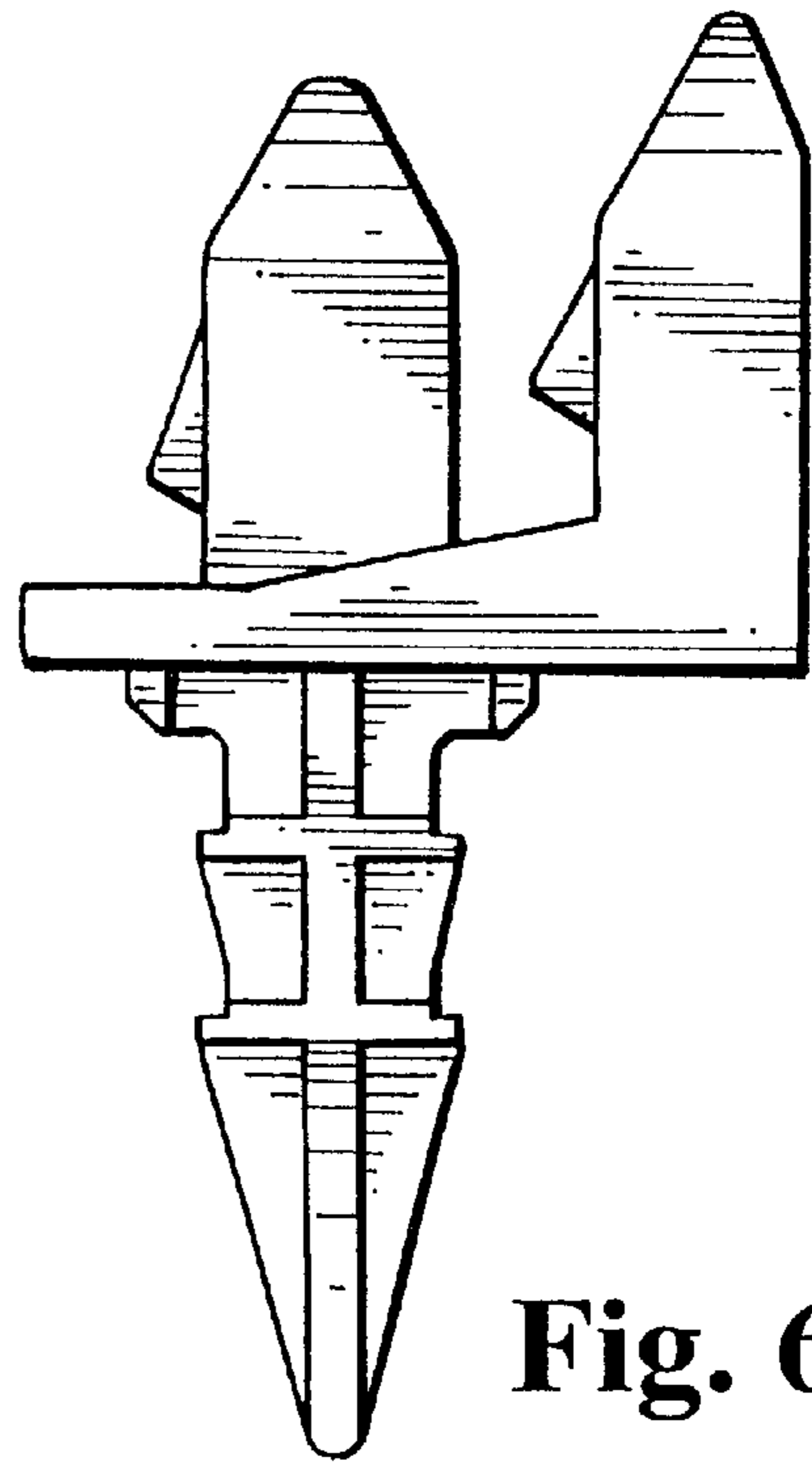


Fig. 6

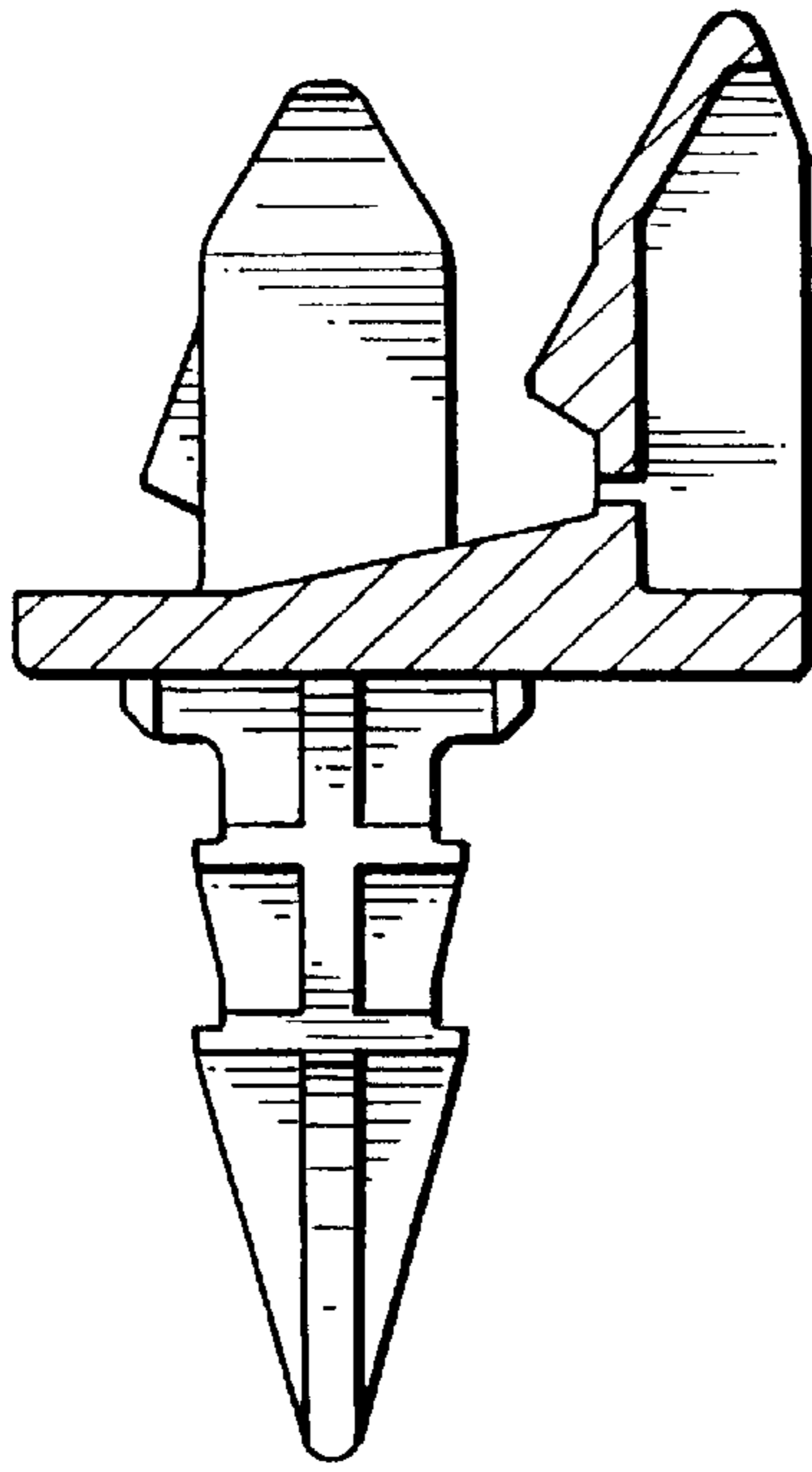


Fig. 8

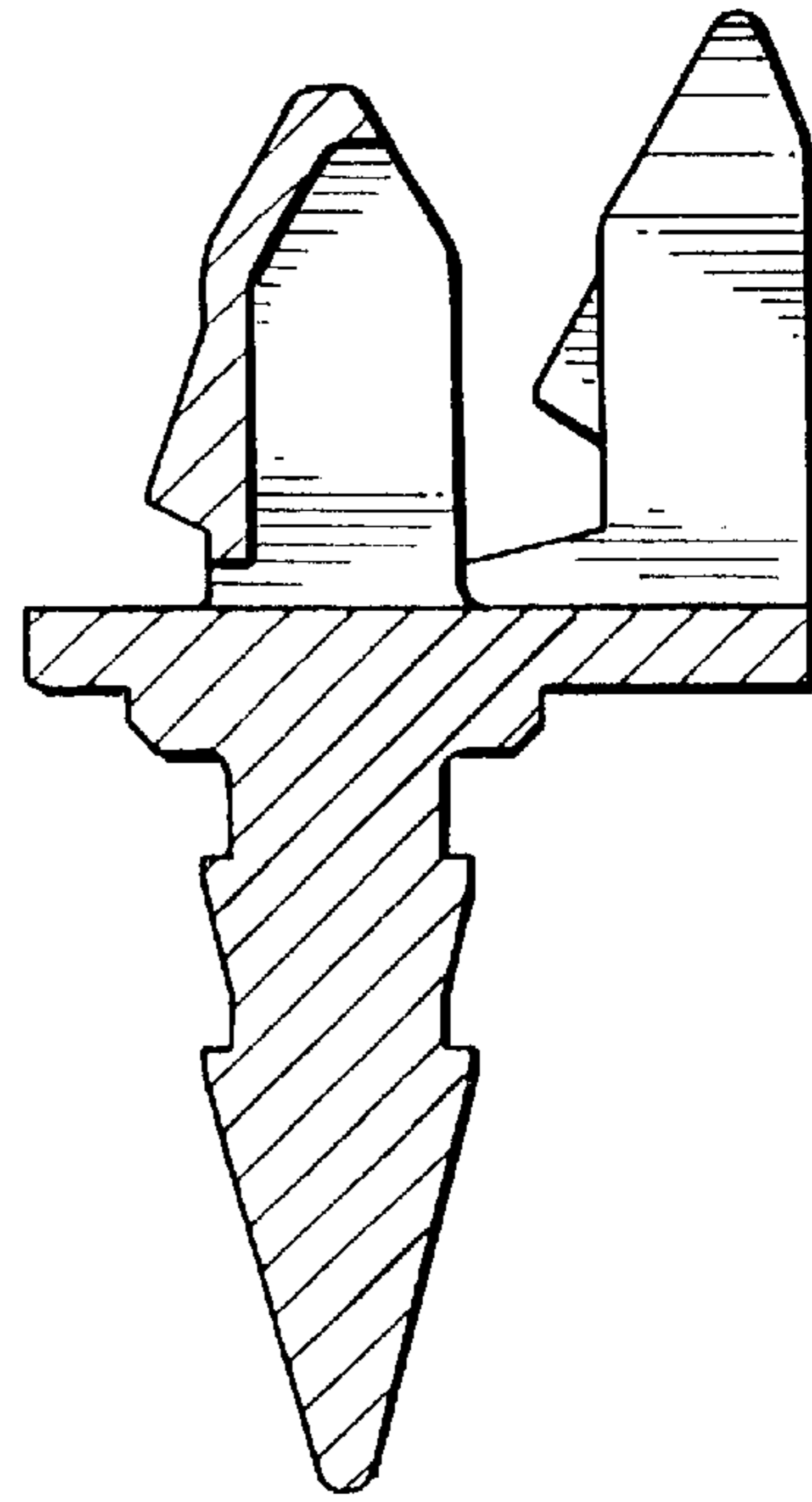


Fig. 7

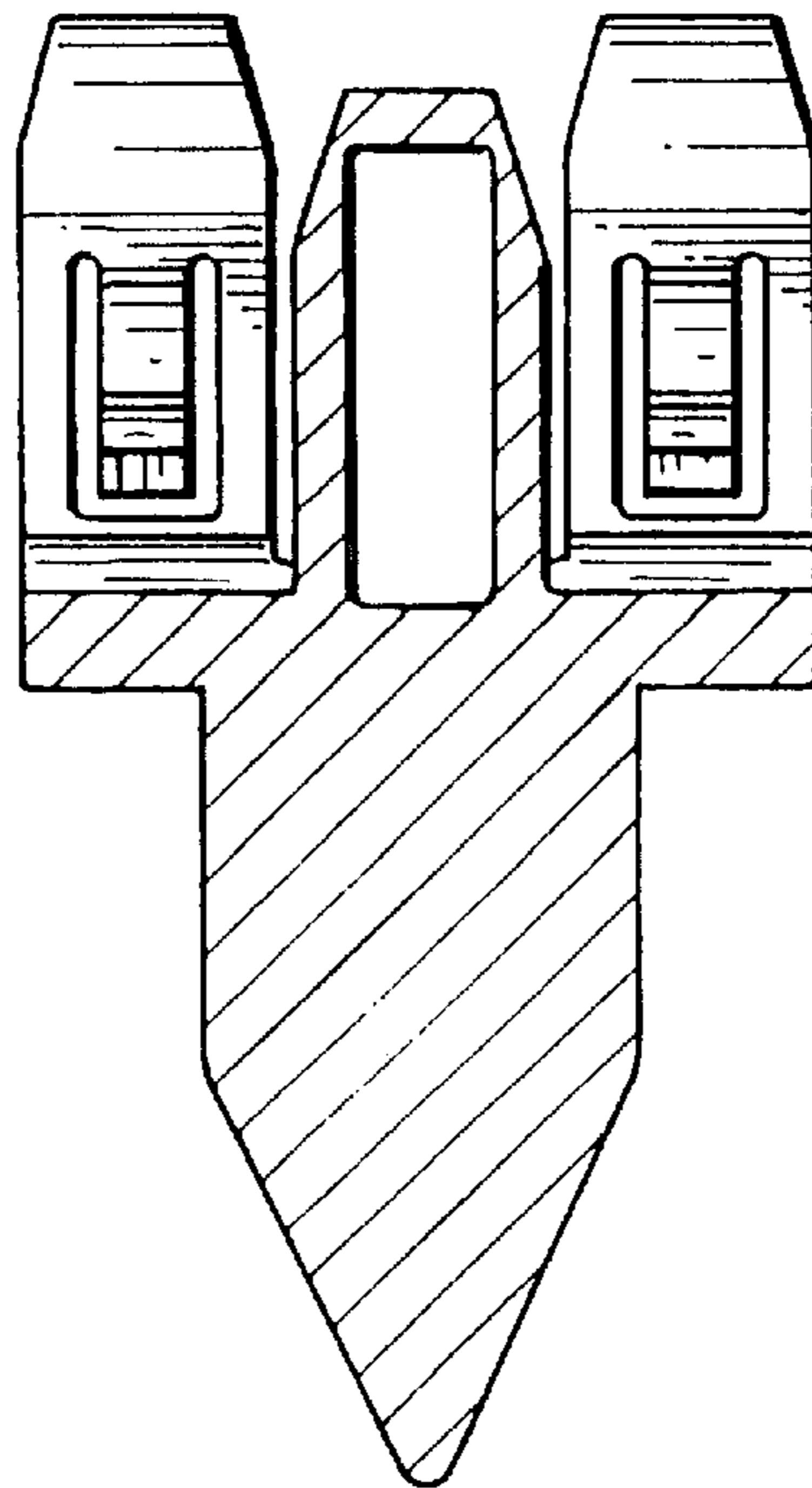


Fig. 9