



US00D47770S

(12) **United States Design Patent**  
**Baker et al.**

(10) **Patent No.: US D477,770 S**

(45) **Date of Patent: \*\* Jul. 29, 2003**

(54) **ROTATIONAL SNAP ACTION CLAMP**

(76) Inventors: **William E. Baker**, 1225 Orgard Ranch Rd., El Cajon, CA (US) 92019;  
**Richard R. Eberhardt**, 3230 San Carlos Dr., Spring Valley, CA (US) 91978

(\*\*) Term: **14 Years**

(21) Appl. No.: **29/151,743**

(22) Filed: **Nov. 8, 2001**

(51) **LOC (7) Cl. .... 08-05**

(52) **U.S. Cl. .... D8/373; D8/396**

(58) **Field of Search** ..... D8/356, 373, 396, D8/394; 248/200, 300, 251, 73, 220.21, 311.2, 206.5, 316.7, 71-72, 74.1, 74.2, 313, 103, 229.26, 27.1, 74.3, 52, 316, 113; 16/304; 24/115 A, 115 G, 339, 564

(56) **References Cited**

**U.S. PATENT DOCUMENTS**

1,486,762	A	*	3/1924	Jones	.....	248/113
2,191,782	A	*	2/1940	Valane	.....	248/229.26
2,834,566	A	*	5/1958	Bower	.....	248/103
D281,393	S	*	11/1985	Karnhag et al.	.....	D8/373
4,886,228	A	*	12/1989	Kennedy	.....	248/74.1
5,371,991	A	*	12/1994	Bechtel et al.	.....	52/686
5,524,327	A	*	6/1996	Mickel et al.	.....	24/115 A

\* cited by examiner

*Primary Examiner*—Pamela Burgess  
(74) *Attorney, Agent, or Firm*—Richard D. Clarke

(57) **CLAIM**

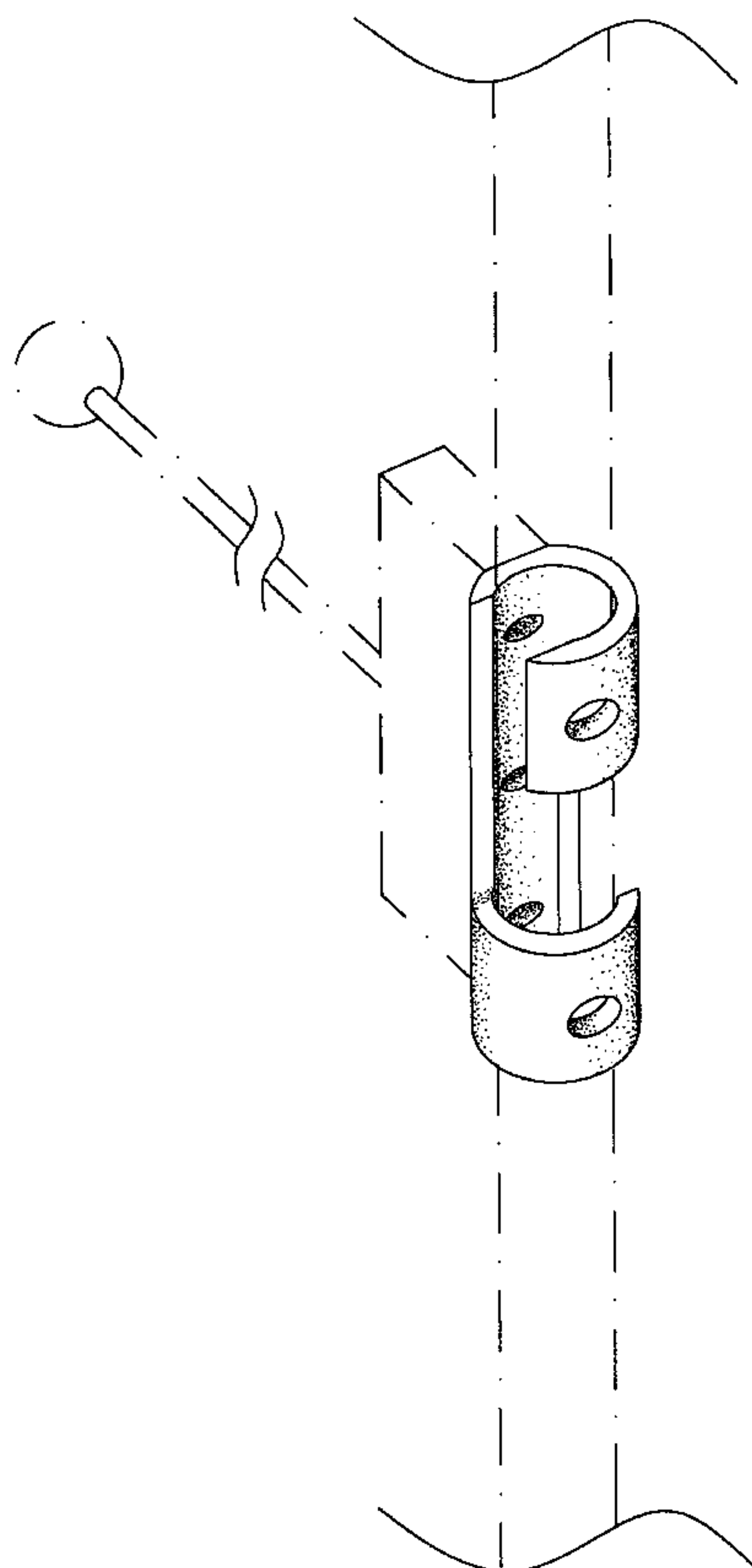
The ornamental design for a rotational snap action clamp, as shown and described.

**DESCRIPTION**

FIG. 1 is a rear and side elevational perspective view of one side of a rotational snap action clamp;  
FIG. 2 is a rear and side elevational perspective view of the opposite side of a rotational snap action clamp;  
FIG. 3 is a top view of a rotational snap action clamp;  
FIG. 4 is a bottom view of a rotational snap action clamp;  
FIG. 5 is a front elevational view of a rotational snap action clamp;  
FIG. 6 is a rear elevational view of a rotational snap action clamp;  
FIG. 7 is a side elevational view of one side of a rotational snap action clamp; and,  
FIG. 8 is a side elevational view of the opposite side of a rotational snap action clamp.

The broken line showing of an attachment rod in FIGS. 1 and 2, and a visual fixation device attached to the rotational snap action clamp in FIGS. 1, 2, 3, 4, 7 and 8, is for illustrative purposes only, and forms no part of the claimed design.

**1 Claim, 4 Drawing Sheets**



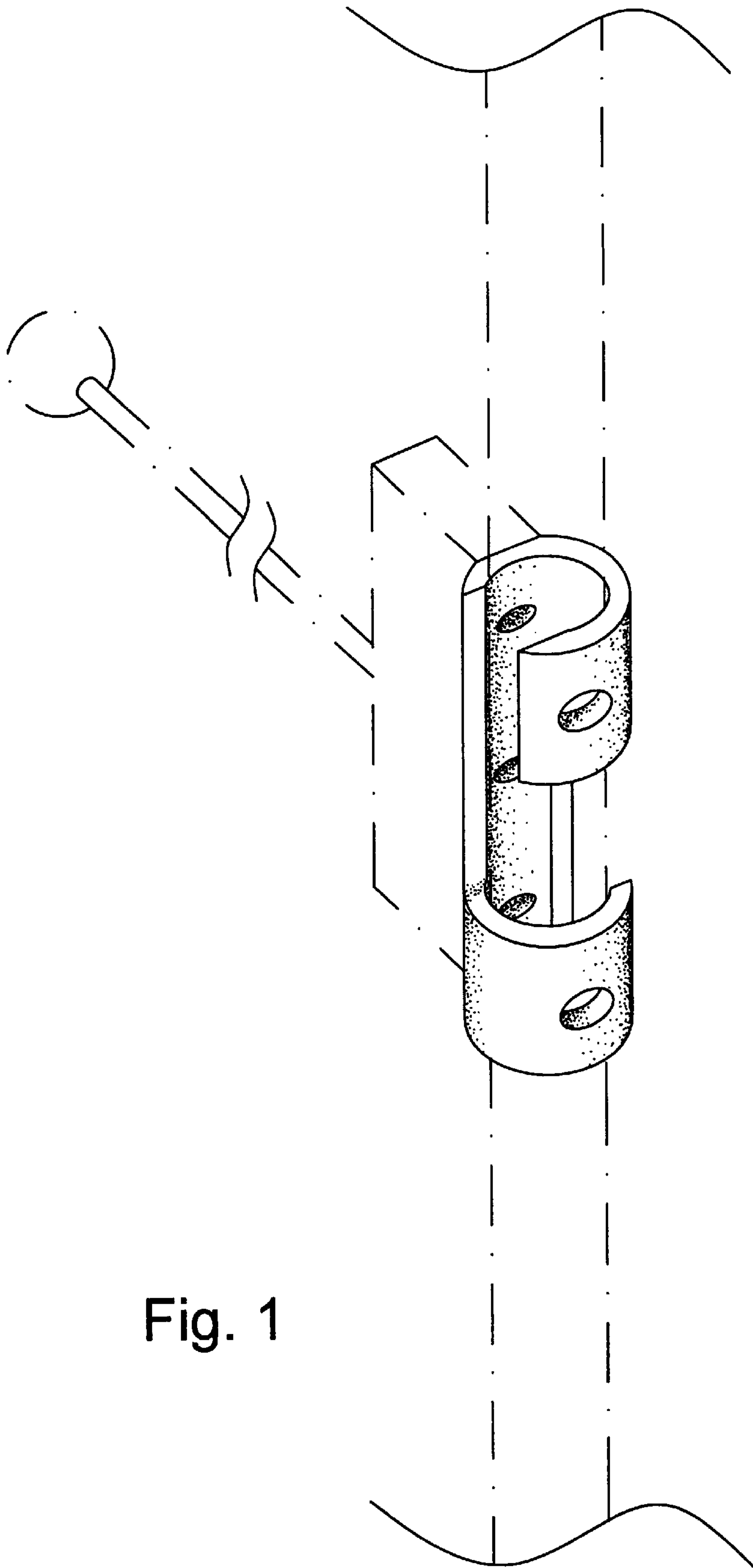


Fig. 1

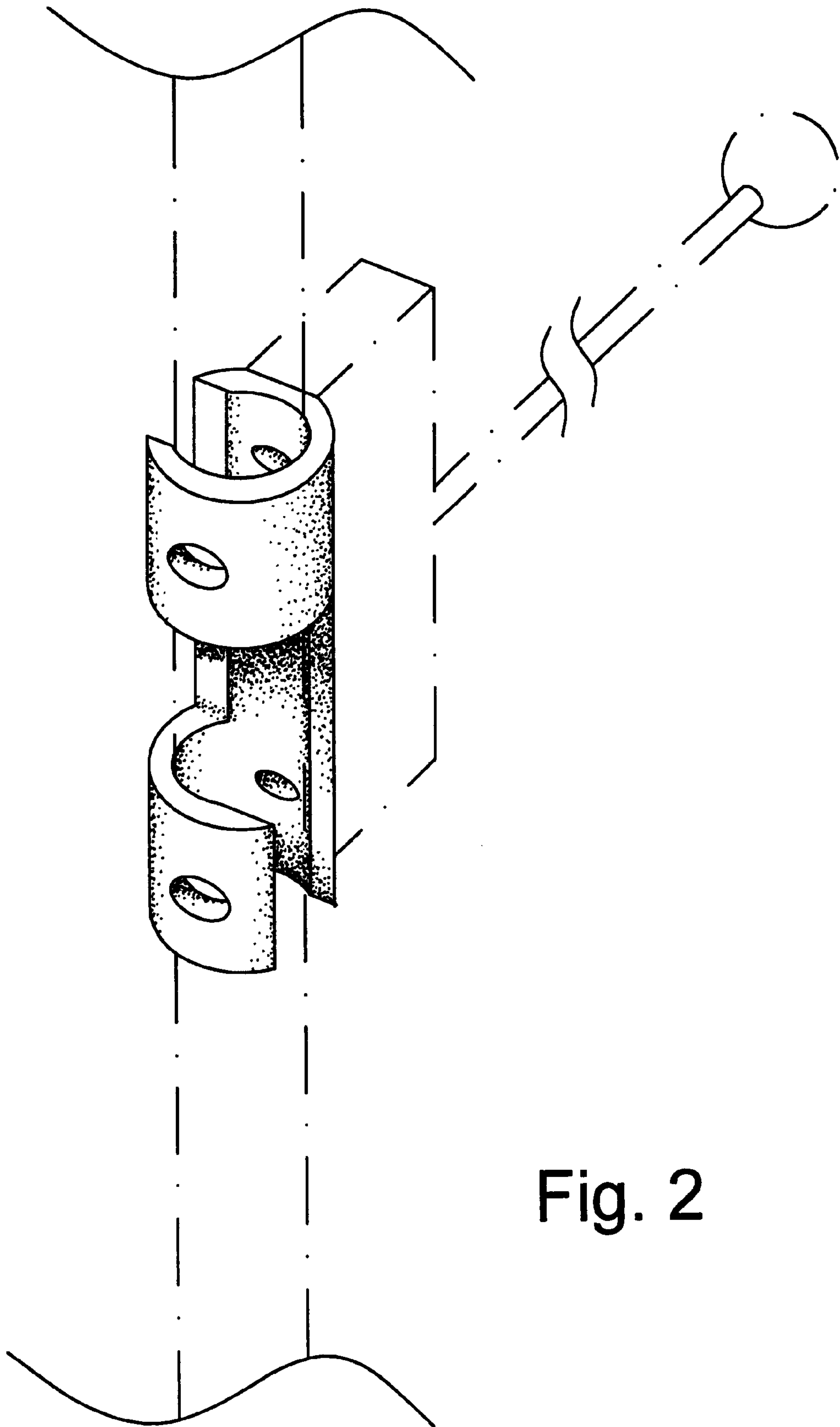


Fig. 2

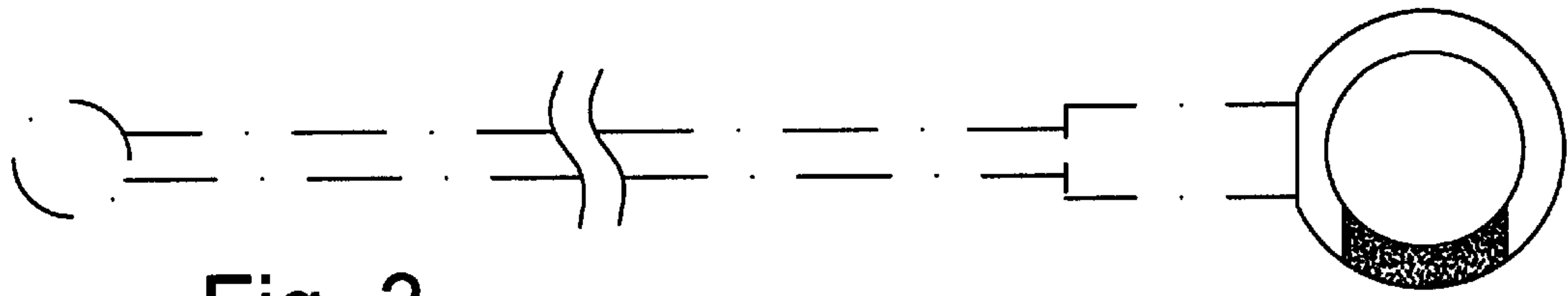


Fig. 3

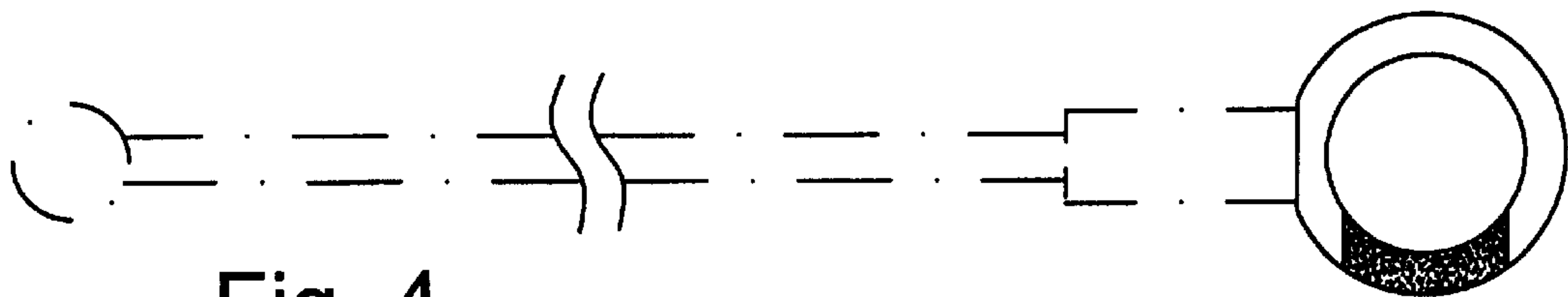


Fig. 4

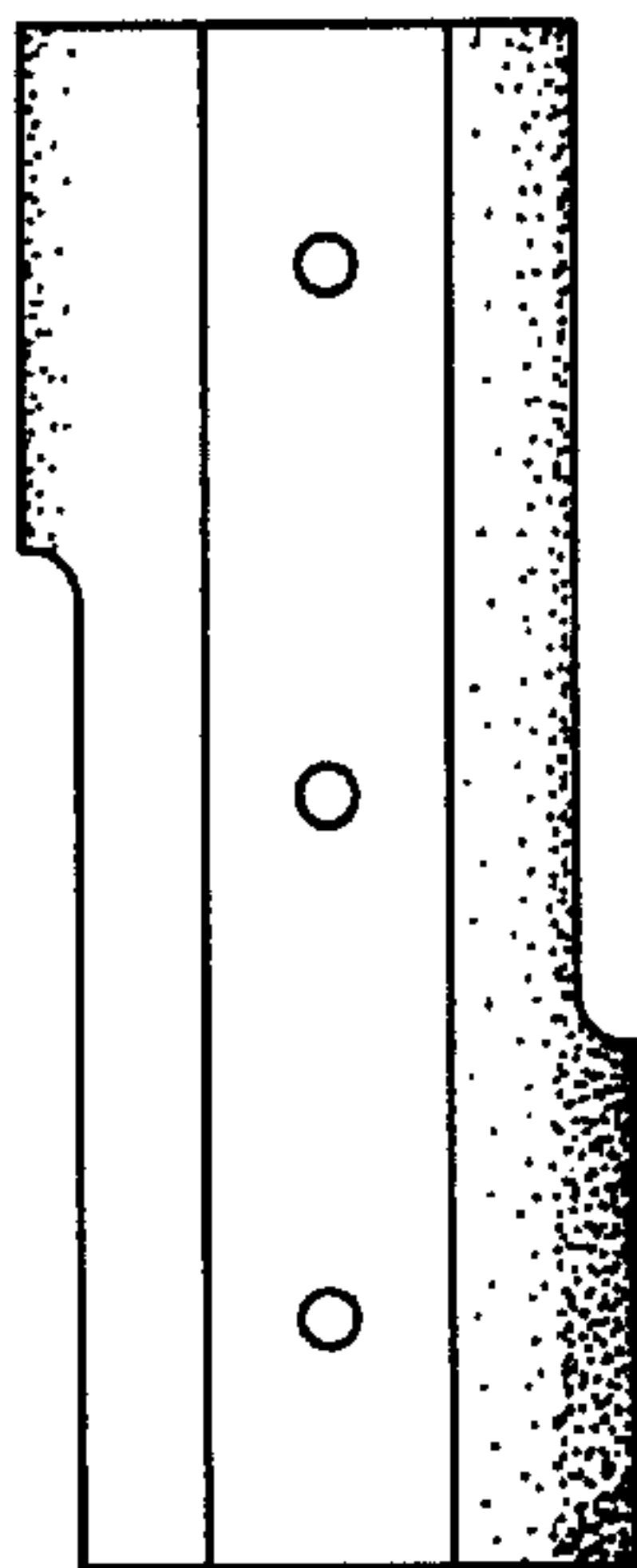


Fig. 5

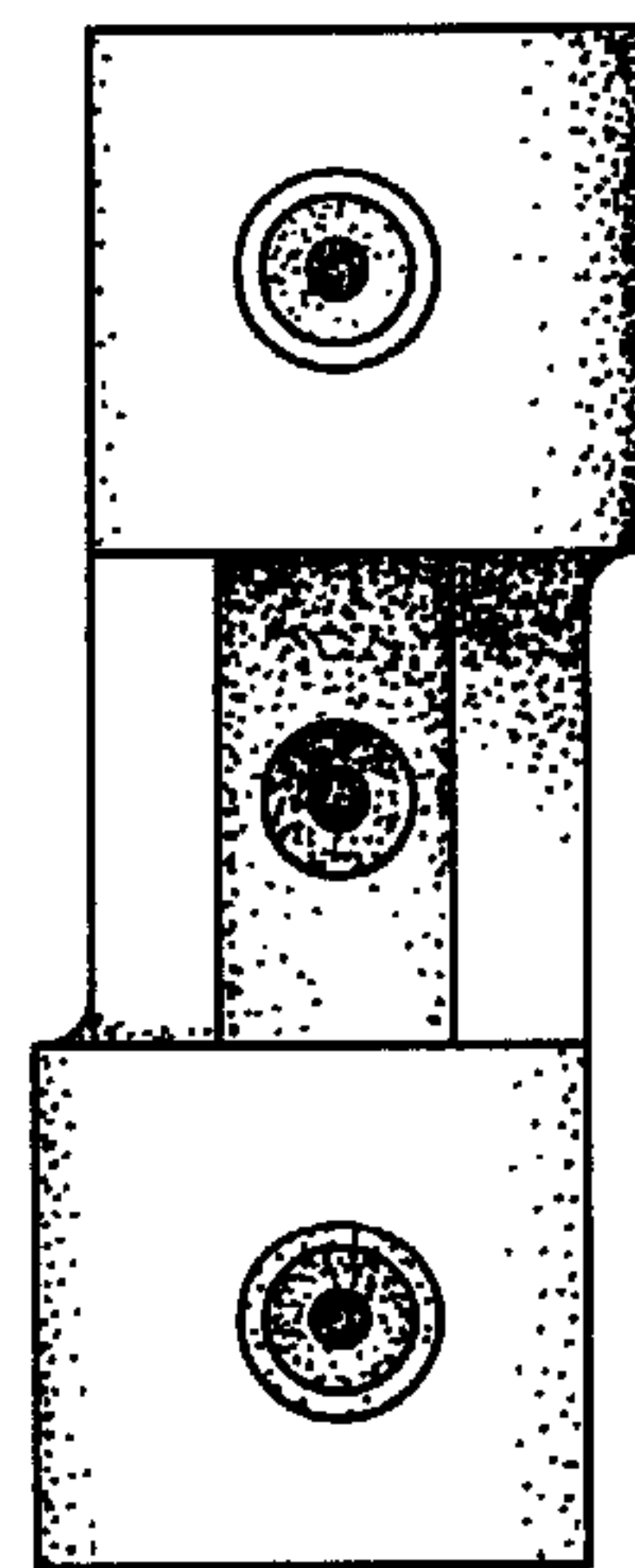


Fig. 6

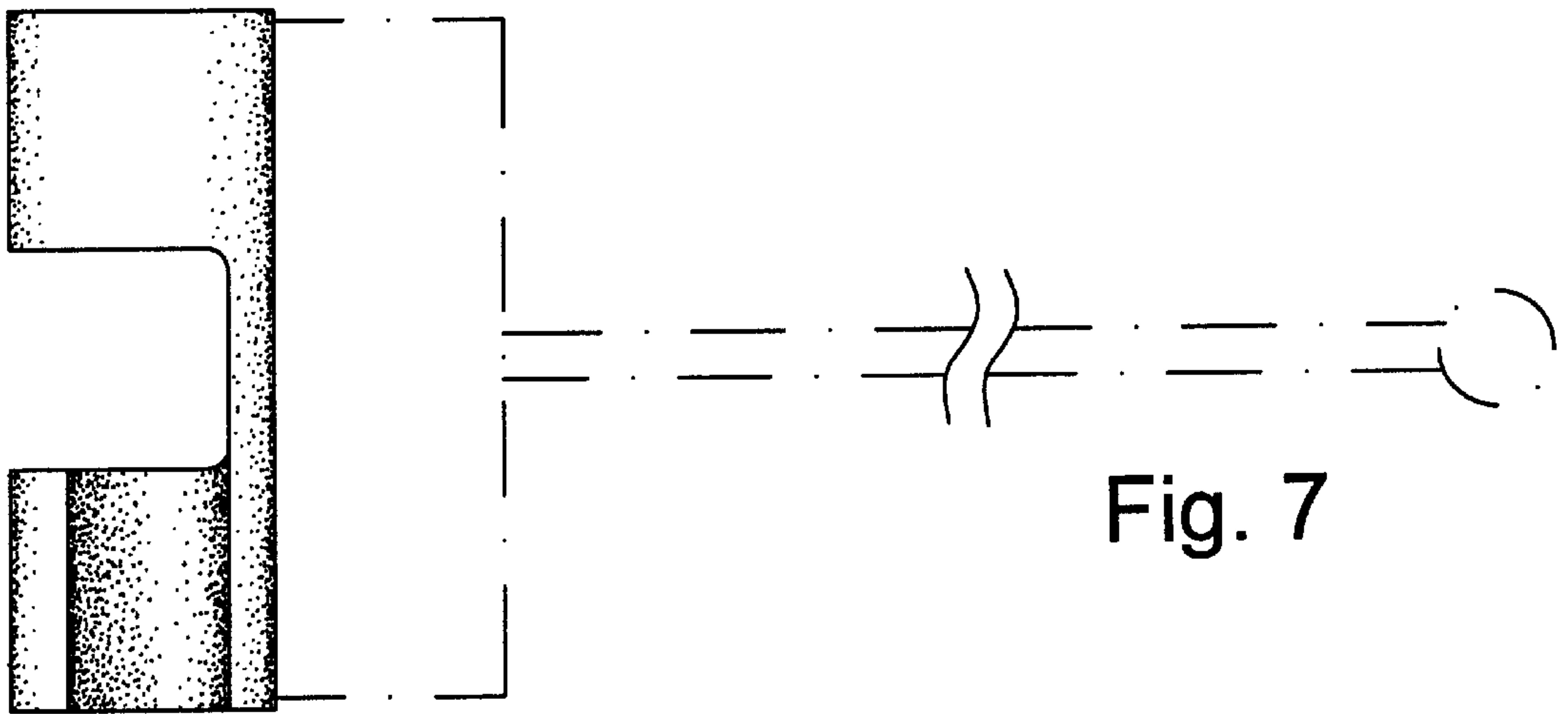


Fig. 7

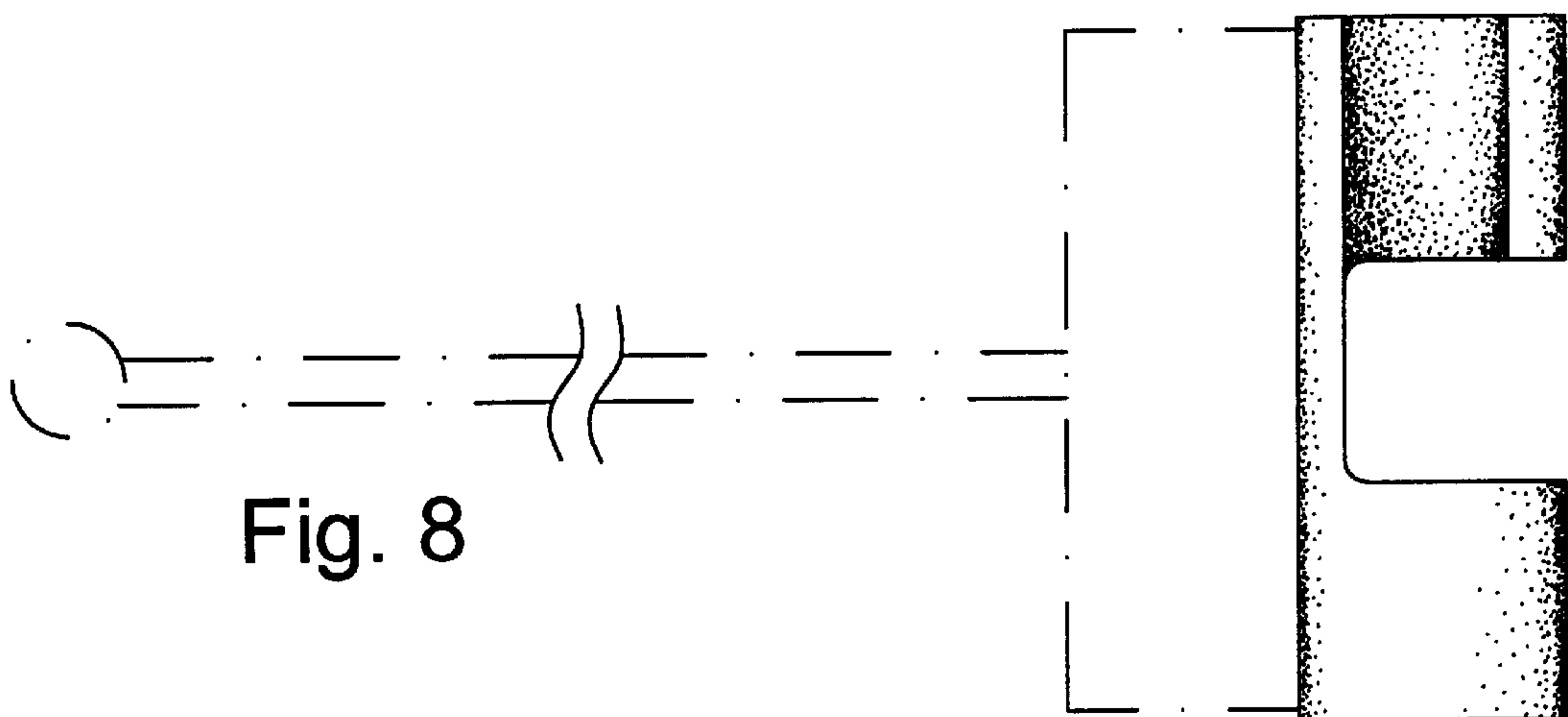


Fig. 8