



US00D477769S

(12) **United States Design Patent**
Shea

(10) **Patent No.:** **US D477,769 S**

(45) **Date of Patent:** **** Jul. 29, 2003**

(54) **OFF-SHELF BRACKET**

(76) **Inventor:** **Thomas M. Shea**, 984 Livernois, Troy, MI (US) 48083

(**) **Term:** **14 Years**

(21) **Appl. No.:** **29/154,537**

(22) **Filed:** **Jan. 24, 2002**

(51) **LOC (7) Cl.** **08-05**

(52) **U.S. Cl.** **D8/363**

(58) **Field of Search** D8/349, 354, 363, D8/366, 367, 371, 373, 380, 381, 382, 398, 394; 211/86.01, 90.01, 105.1, 193; 40/661.08; 248/200, 205.1, 207, 214, 215, 216.4, 219.4, 227.1, 227.4, 235, 247, 300, 339, 340

(56) **References Cited**

U.S. PATENT DOCUMENTS

- D181,558 S * 11/1957 Urie D8/398
- 3,907,118 A * 9/1975 Pelavin 248/214
- 4,059,248 A * 11/1977 Kuntz 248/214
- D310,018 S * 8/1990 Landrum D8/373
- D315,092 S * 3/1991 Brown D8/370

- D422,483 S 4/2000 Shea D8/354
- D422,886 S 4/2000 Shea D8/354
- D435,435 S 12/2000 Shea D8/363
- 6,273,279 B1 * 8/2001 Wolf 211/86.01

* cited by examiner

Primary Examiner—Doris V. Coles
Assistant Examiner—Elizabeth A. Albert
(74) *Attorney, Agent, or Firm*—Gifford, Krass, Groh, Sprinkle, Anderson & Citkowski, P.C.

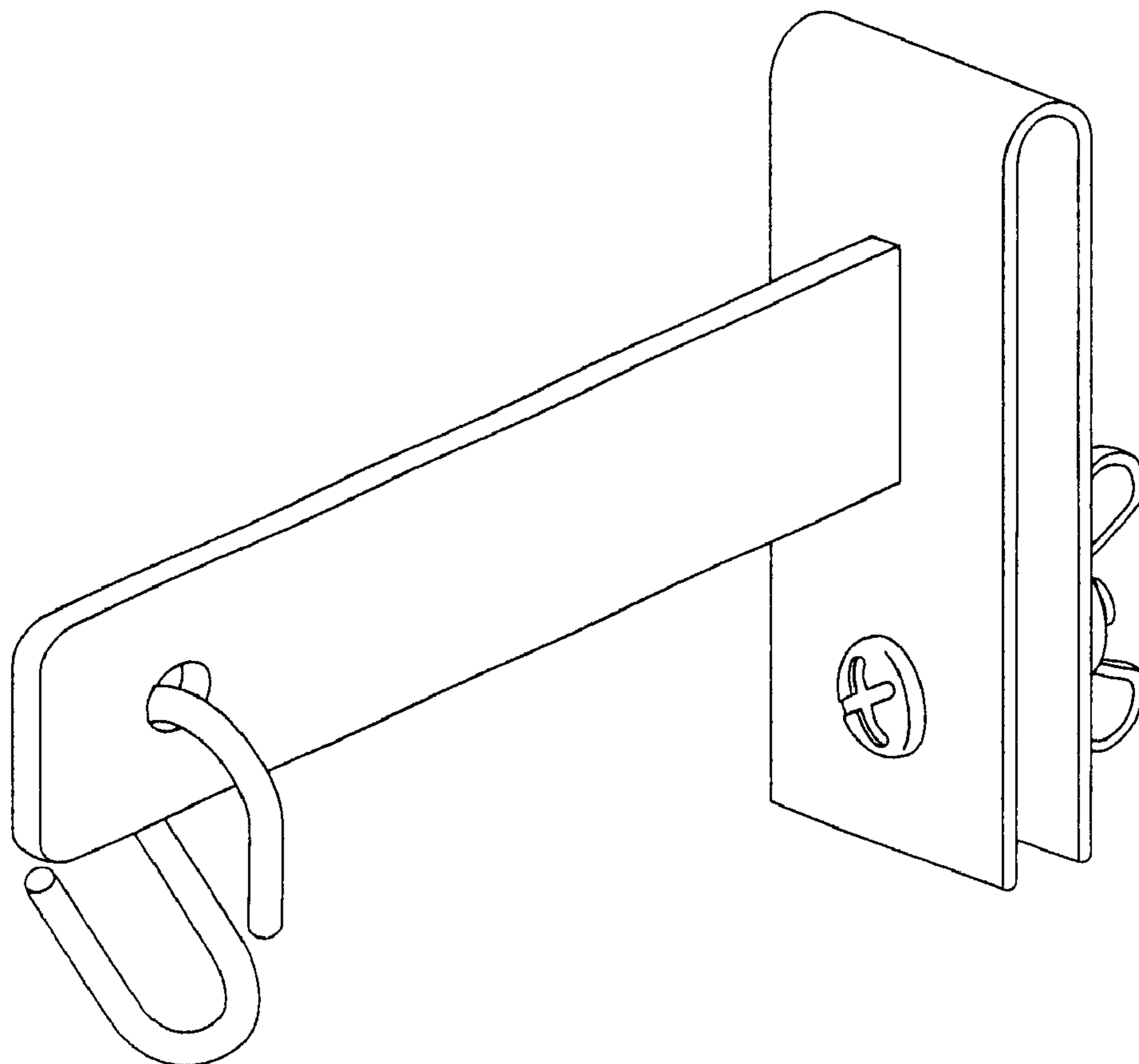
(57) **CLAIM**

I claim the ornamental design for an off-shelf bracket, as shown and described.

DESCRIPTION

FIG. 1 is a perspective view of the off-shelf bracket showing my new design;
FIG. 2 is a left side elevational view of FIG. 1;
FIG. 3 is a right side elevational view of FIG. 1;
FIG. 4 is a front elevational view of FIG. 1;
FIG. 5 is a rear elevational view of FIG. 1;
FIG. 6 is a top plan view of FIG. 1; and,
FIG. 7 is a bottom plan view of FIG. 1.

1 Claim, 4 Drawing Sheets



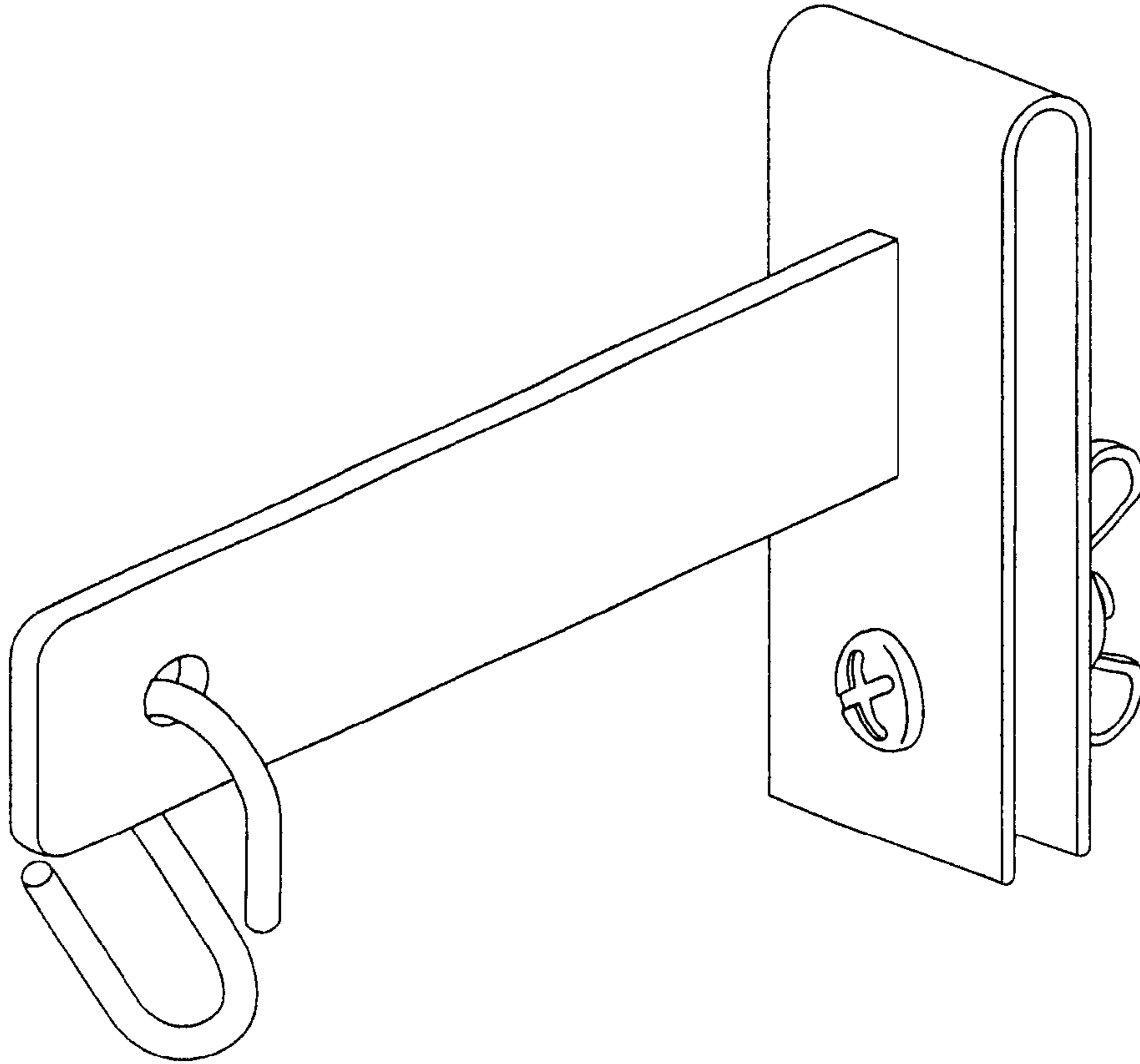


Fig-1

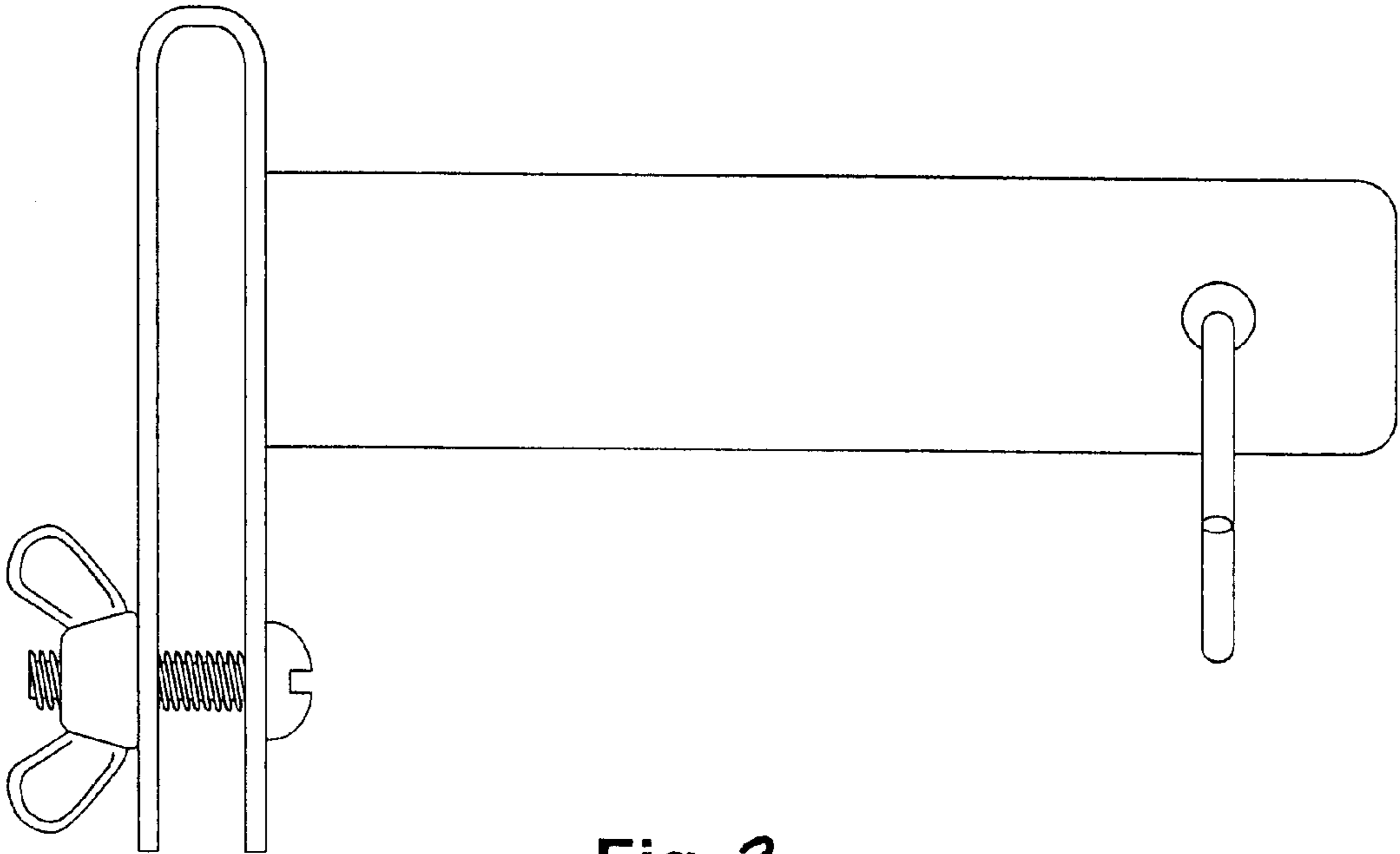


Fig-3

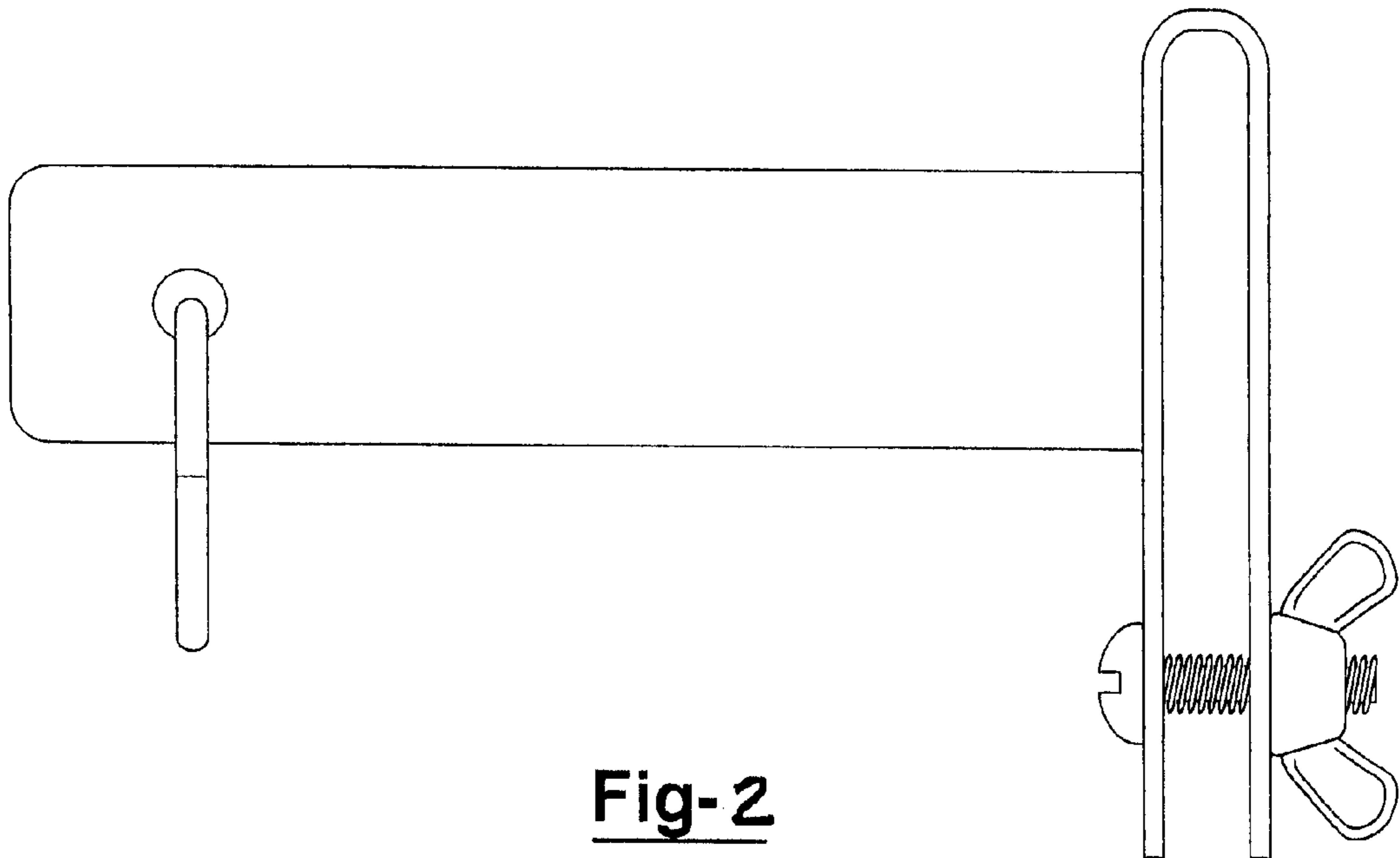


Fig-2

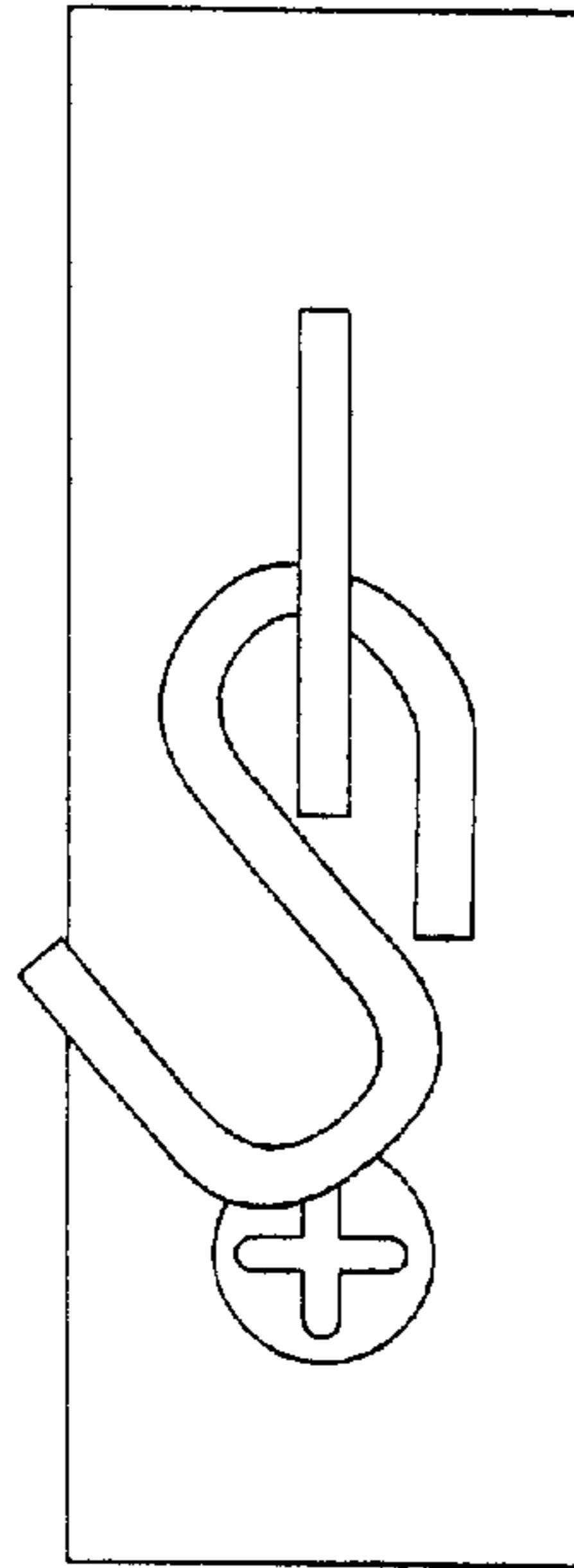


Fig-4

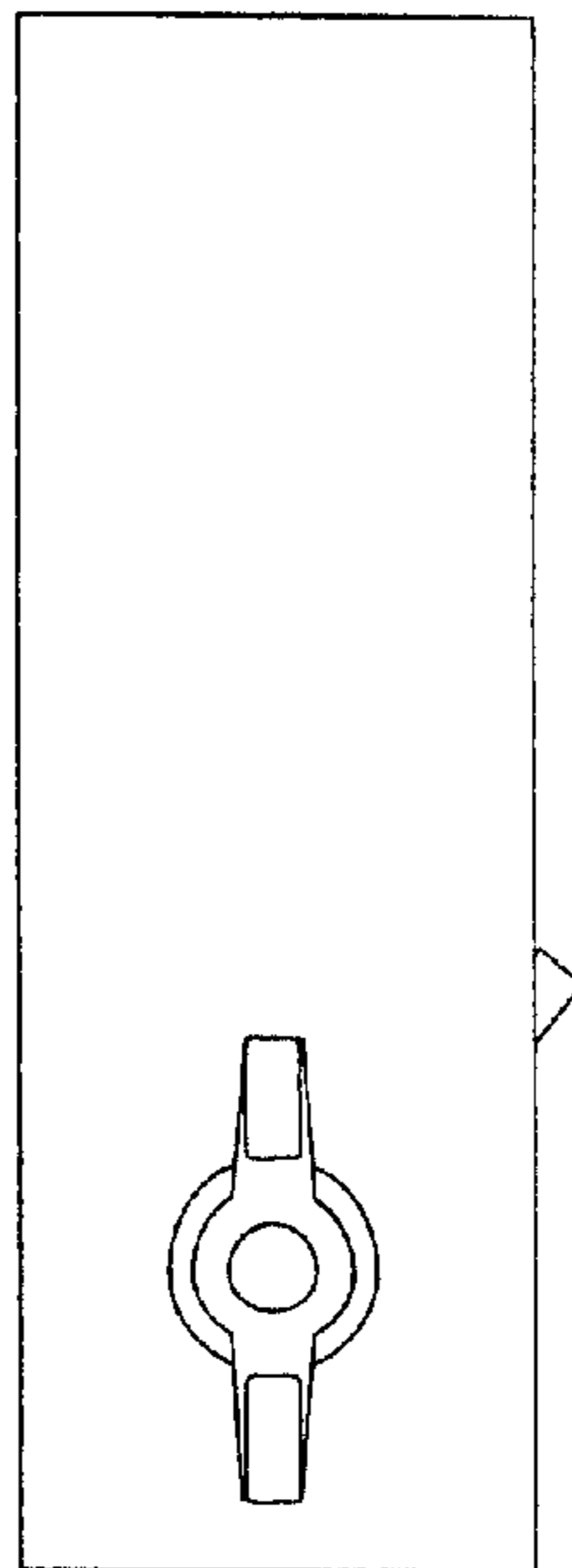


Fig-5

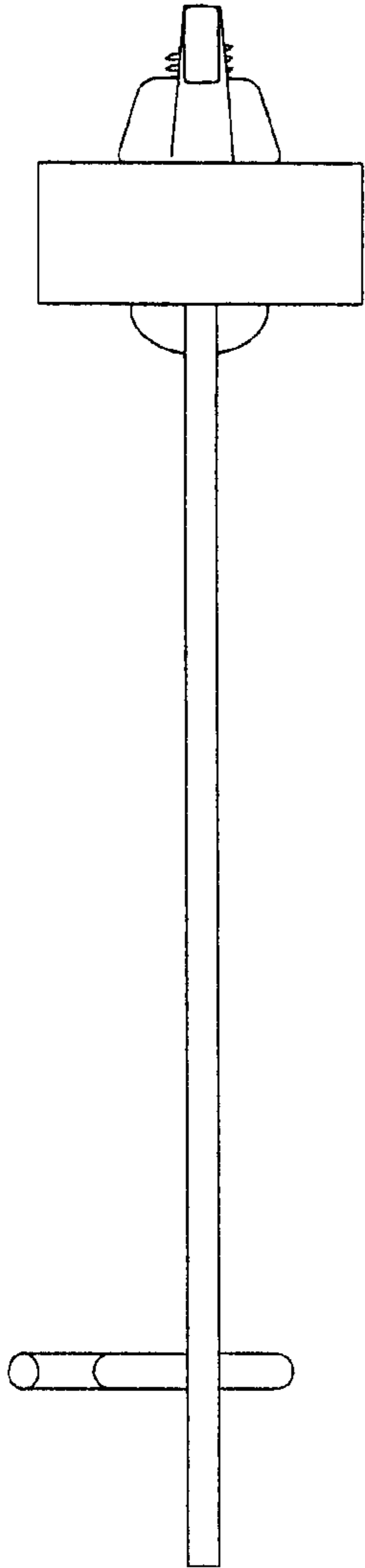


Fig-6

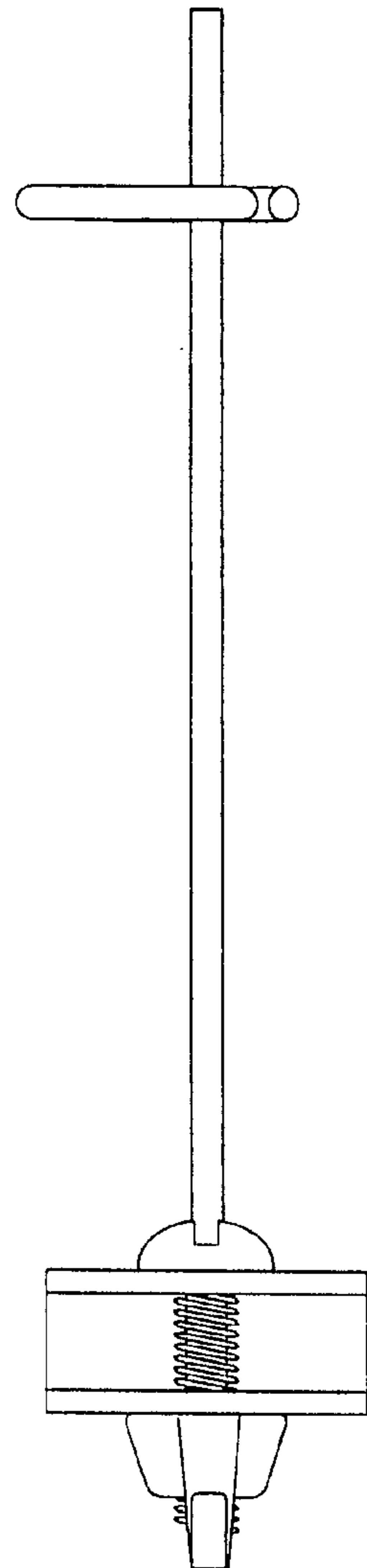


Fig-7