



US00D477766S

(12) **United States Design Patent**
Ping

(10) **Patent No.:** **US D477,766 S**

(45) **Date of Patent:** **** Jul. 29, 2003**

(54) **FOLDABLE HAND TOOL**

(75) **Inventor:** **Qiu Jian Ping, Hangzhou (CN)**

(73) **Assignee:** **Great Neck Saw Manufacturers, Inc.,
Mineola, NY (US)**

(**) **Term:** **14 Years**

(21) **Appl. No.:** **29/153,522**

(22) **Filed:** **Jan. 10, 2002**

Related U.S. Application Data

(63) Continuation-in-part of application No. 29/124,955, filed on Jun. 15, 2000, now Pat. No. Des. 458,527.

(51) **LOC (7) Cl.** **08-05**

(52) **U.S. Cl.** **D8/107; D8/52**

(58) **Field of Search** **D8/52, 54-56,
D8/105-107, 98, 99; D27/142; 7/118, 125,
127-135, 165, 167, 168; 30/153, 155; 81/425.7,
486, 489, DIG. 9, 177.4, 177.6, 324, 342,
367, 370, 390**

(56) **References Cited**

U.S. PATENT DOCUMENTS

154,750 A	9/1874	Flack
164,750 A	6/1875	Meyer
237,138 A	2/1881	Slayton
266,073 A	1/1882	Augetin
295,885 A	3/1884	Pullman
310,439 A	1/1885	Kamak
337,858 A	3/1886	Neuhaus
358,312 A	2/1887	Weck
445,509 A	1/1891	Thayer
464,405 A	12/1891	Widman
542,601 A	7/1895	Baker
580,235 A	4/1897	Strum
589,392 A	7/1897	Kelar
592,766 A	11/1897	Effinger et al.
596,096 A	12/1897	Watts
614,537 A	11/1898	Dahlquist
649,334 A	5/1900	Meloos
662,005 A	11/1900	Lewis

696,995 A	4/1902	Moser
762,725 A	6/1904	Kaufmann
790,432 A	5/1905	Heilrath
857,459 A	6/1907	Hendrickson
858,003 A	6/1907	Klever
881,294 A	3/1908	Billings
896,746 A	8/1908	McCarty
948,231 A	2/1910	Libby
988,068 A	3/1911	Beardsley
1,174,132 A	3/1916	Dragun
1,184,746 A	5/1916	Hanson
1,187,842 A	6/1916	Kaas
1,194,296 A	8/1916	Jones
1,334,425 A	3/1920	Wernimont

(List continued on next page.)

FOREIGN PATENT DOCUMENTS

CH	277412	8/1951
DE	30788	3/1885
DE	29556	12/1894

(List continued on next page.)

Primary Examiner—Joel Sincavage
Assistant Examiner—Clare E. Heflin
(74) *Attorney, Agent, or Firm*—Joseph J. Previto

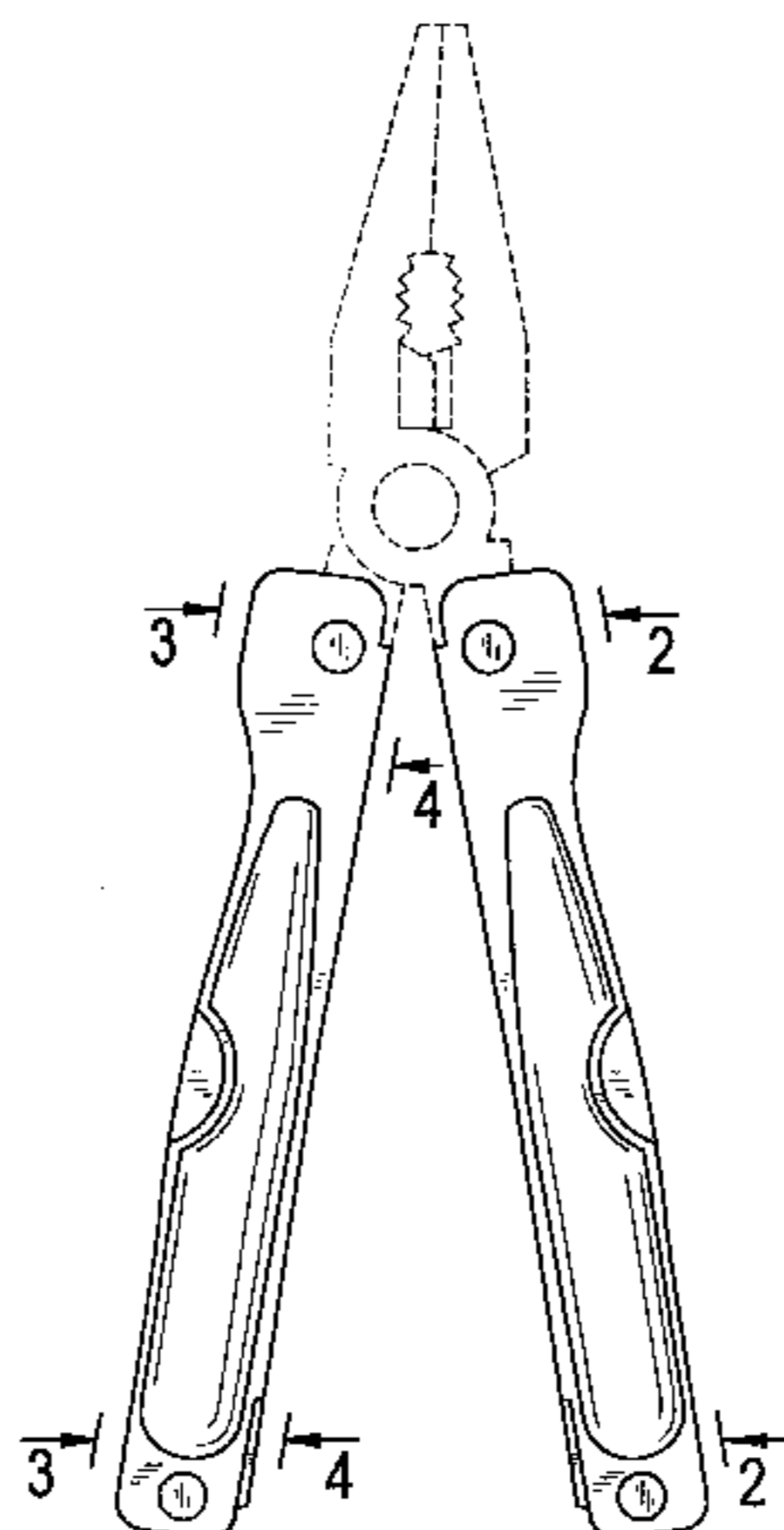
(57) **CLAIM**

The ornamental design of a foldable hand tool, as shown and described.

DESCRIPTION

FIG. 1 is a side view of a foldable hand tool showing the new design in the unfolded position.
FIG. 2 is a view taken along line 2—2 thereof.
FIG. 3 is a view taken along line 3—3 thereof.
FIG. 4 is a view taken along line 4—4 thereof.
FIG. 5 is an opposite view thereof.
FIG. 6 is a side view of FIG. 1 showing the foldable tool in the folded position; and,
FIG. 7 is a side view of FIG. 5 showing the foldable tool in the folded position.
The broken lines shown in the drawing are for illustrative purposes only and form no part of the claimed design.

1 Claim, 3 Drawing Sheets



US D477,766 S

U.S. PATENT DOCUMENTS

1,370,906	A	3/1921	Newton
1,461,270	A	7/1923	Garrison
1,467,661	A	9/1923	Undy
1,472,826	A	11/1923	Champlin
1,474,592	A	11/1923	Jacoby
1,486,725	A	3/1924	Brown
1,511,340	A	10/1924	Jackson
1,524,694	A	2/1925	Di Maio
1,551,328	A	8/1925	Perry
1,561,833	A	11/1925	Cruickshank
1,561,993	A	11/1925	Nielsen
1,619,181	A	3/1927	Beretz
1,828,121	A	10/1931	Adam
2,057,201	A	10/1936	McCluskey
D112,590	S	12/1938	MacPherson
D137,408	S	3/1944	Frisk
D149,934	S	6/1948	Cobb
2,514,130	A	7/1950	Jones
2,561,682	A	7/1951	Barnett
2,575,652	A	11/1951	Bovee
2,606,471	A	8/1952	Kollweck
2,641,179	A	6/1953	Petersen
2,714,249	A	8/1955	Clark et al.
2,747,446	A	5/1956	Eder
2,779,098	A	1/1957	Pocoski et al.
2,814,108	A	11/1957	Bassett
3,044,081	A	7/1962	Robinson, Jr.
3,364,508	A	1/1968	Garrett
3,798,687	A	3/1974	Stevens
3,858,258	A	1/1975	Stevens
3,947,905	A	4/1976	Neff
4,208,749	A	6/1980	Hermann et al.
4,238,862	A	12/1980	Leatherman
4,297,756	A	11/1981	Lance
4,330,937	A	5/1982	Cope
4,347,665	A	9/1982	Glesser
4,364,174	A	12/1982	De Asis
4,502,220	A	3/1985	Aoki
4,512,051	A	4/1985	Magan
4,555,822	A	12/1985	Miceli
4,563,833	A	1/1986	Aucoin
D286,501	S	11/1986	Magan
4,648,145	A	3/1987	Miceli
4,669,140	A	6/1987	Miceli
4,744,272	A	5/1988	Leatherman
4,805,303	A	2/1989	Gibbs
4,888,869	A	12/1989	Leatherman
4,896,424	A	1/1990	Walker
4,942,637	A	7/1990	Yeang-Yai
4,995,128	A	2/1991	Montgomery et al.
5,014,379	A	5/1991	Hull et al.
5,029,355	A	7/1991	Thai
5,044,079	A	9/1991	Gibbs
5,062,173	A	11/1991	Collins et al.
5,074,046	A	12/1991	Kolesky
5,119,520	A	6/1992	Finn
D327,826	S	7/1992	Neff
5,142,721	A	9/1992	Sessiona et al.
5,157,996	A	10/1992	Keyvani

5,207,012	A	5/1993	Lael
5,212,844	A	5/1993	Sessions et al.
D338,386	S	8/1993	Frazer
5,267,366	A	12/1993	Frazer
5,320,004	A	6/1994	Hsiao
D356,019	S	3/1995	Sakai
D365,266	S	12/1995	Hasegawa
5,491,856	A	2/1996	Legg
D367,807	S	3/1996	Hung
5,497,522	A	3/1996	Chen
D368,634	S	4/1996	Frazer
D371,498	S	7/1996	Lai
5,537,750	A	7/1996	Seber et al.
D382,182	S	8/1997	Seber
D384,872	S	10/1997	Yeh
D385,170	S	10/1997	Rivera
5,697,114	A	12/1997	McIntosh et al.
5,745,997	A	5/1998	Berg et al.
5,765,247	A	6/1998	Seber et al.
D407,286	S	3/1999	Seber et al.
D407,287	S	3/1999	Seber et al.
D407,616	S	4/1999	Seber
D407,621	S	4/1999	Koon
D410,833	S	6/1999	Hasegawa
D414,092	S	9/1999	Chang
5,964,131	A	10/1999	Seber et al.
D416,184	S	11/1999	Gathmann
D416,186	S	11/1999	Balolia
5,979,059	A	11/1999	Leatherman
5,979,959	A	11/1999	Rivera
D417,380	S	12/1999	Kayson
5,996,451	A	12/1999	Seber et al.
6,006,385	A	12/1999	Kershaw et al.
D419,849	S	2/2000	Kayson
6,047,426	A	4/2000	McIntosh et al.
D440,846	S	4/2001	Saunders
D442,841	S	5/2001	Balolia
D445,326	S	* 7/2001	Alfaro D8/107
6,318,218	B1	* 11/2001	Anderson et al. 7/165
D458,527	S	* 6/2002	Ping D8/107

FOREIGN PATENT DOCUMENTS

DE	145784	7/1902
DE	2322229	5/1974
DE	G 91 03 496.5	8/1991
EP	97100156.5	1/1997
FR	409943	3/1910
FR	2308470	11/1976
GB	5375	11/1882
GB	21369	8/1894
GB	17248	8/1895
GB	20299	8/1902
GB	15859	8/1904
GB	13254	8/1905
GB	14268	8/1907
GB	186520	10/1922
GB	403769	1/1934
IT	521555	3/1955
RU	1002145	3/1983

* cited by examiner

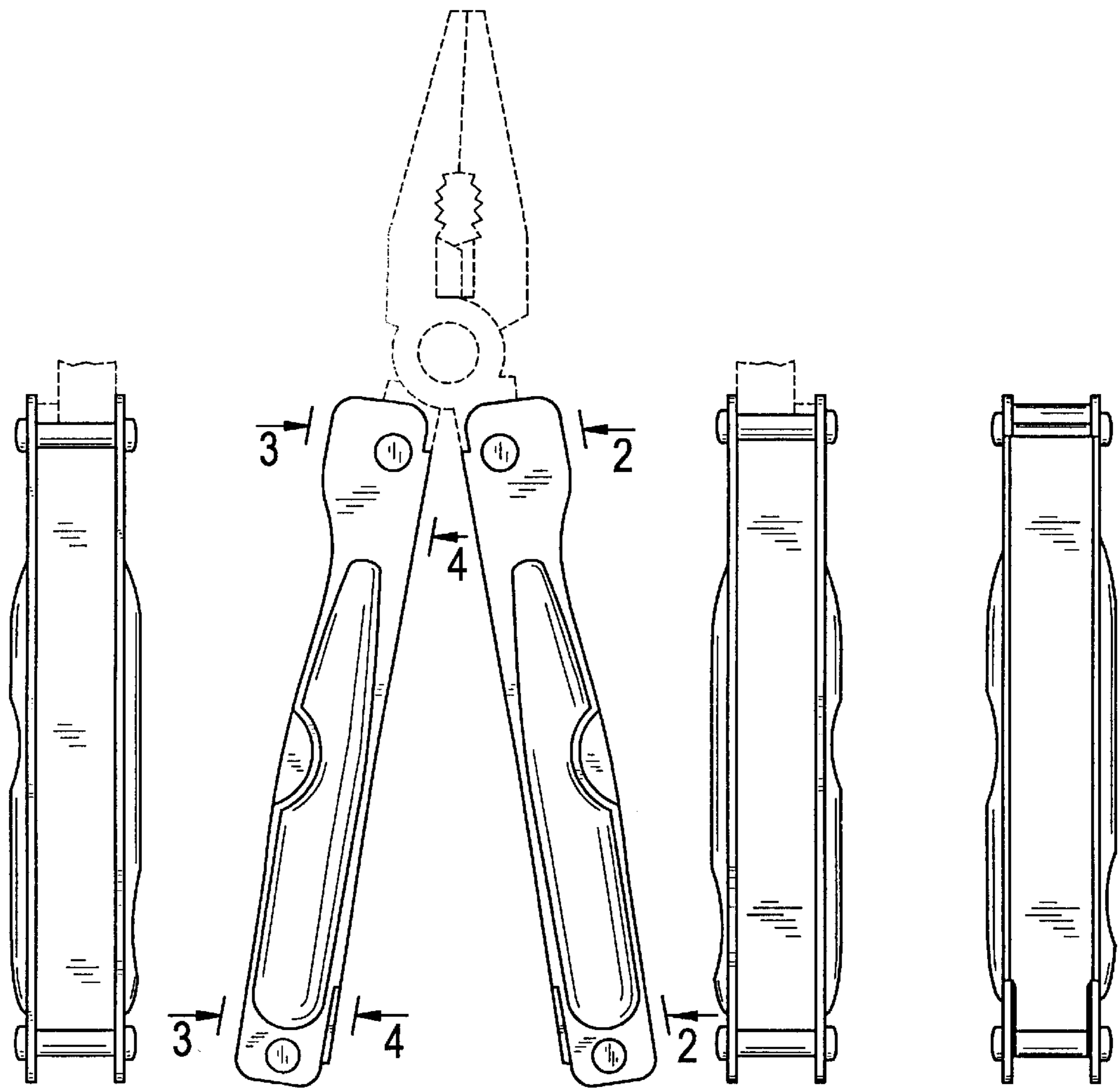


FIG. 2

FIG. 1

FIG. 3

FIG. 4

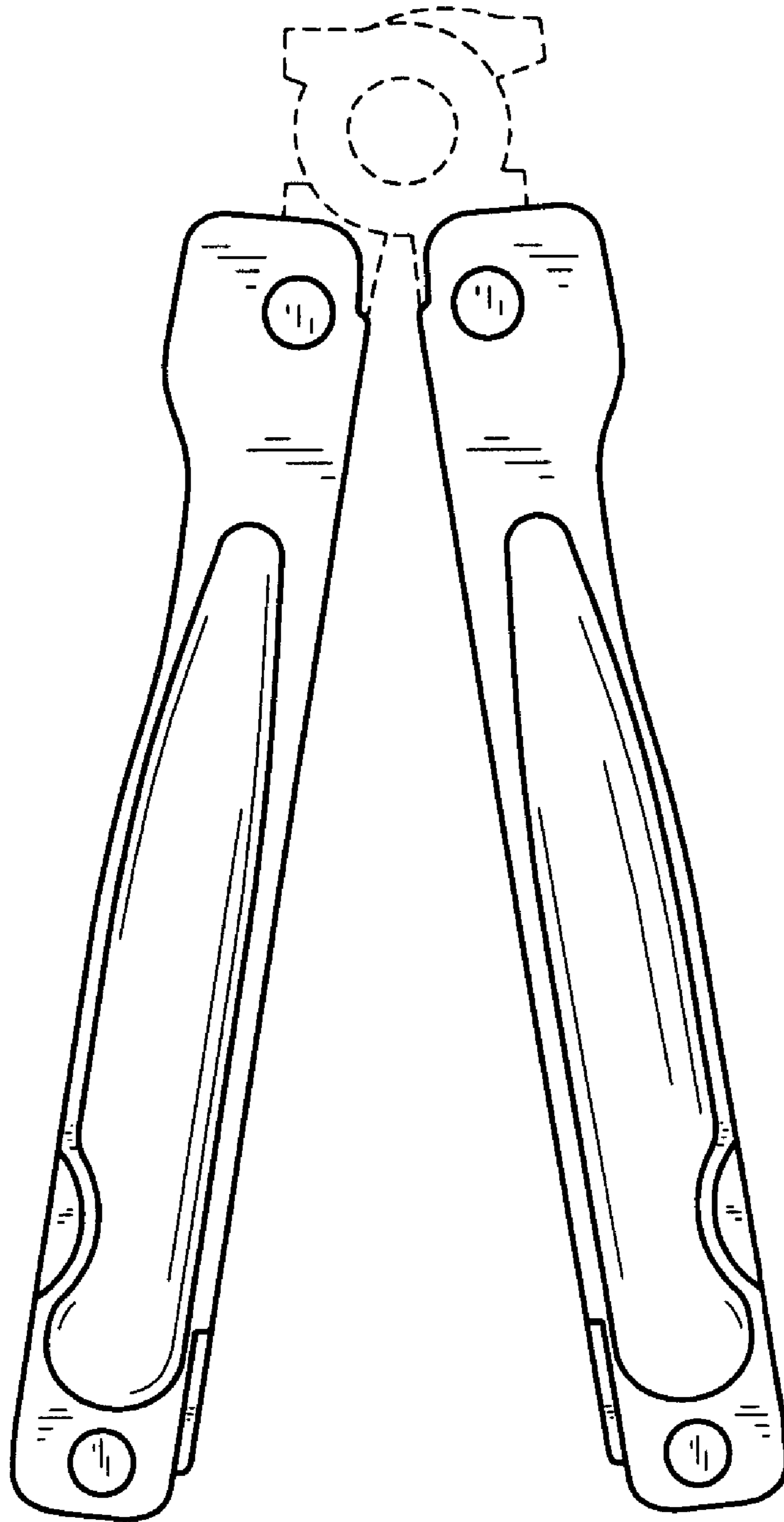


FIG. 5

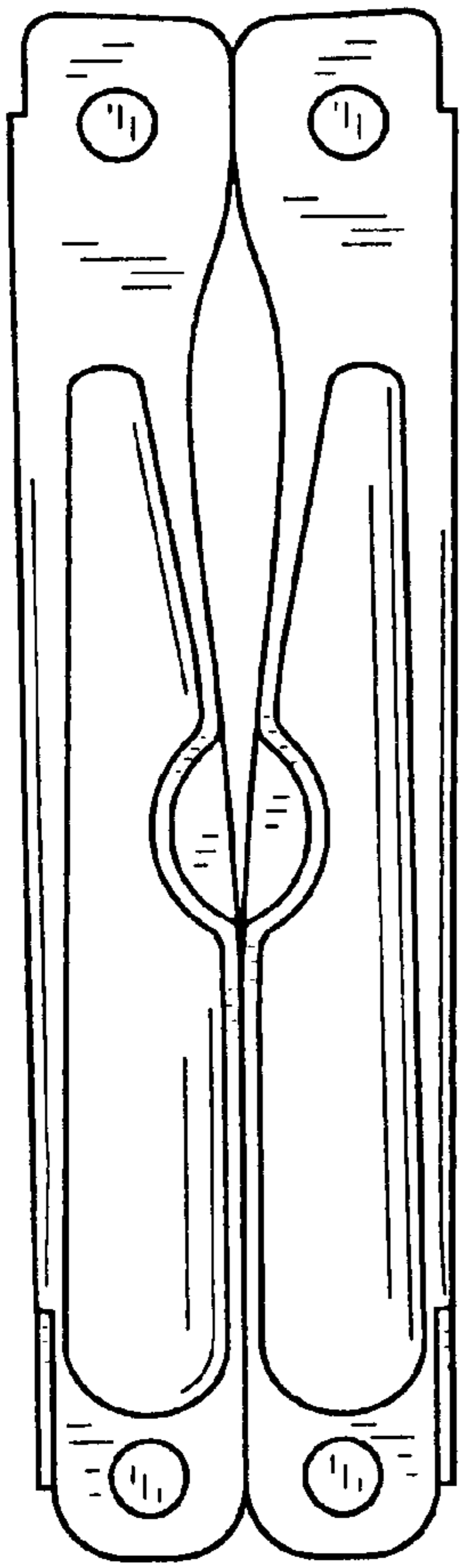


FIG. 6

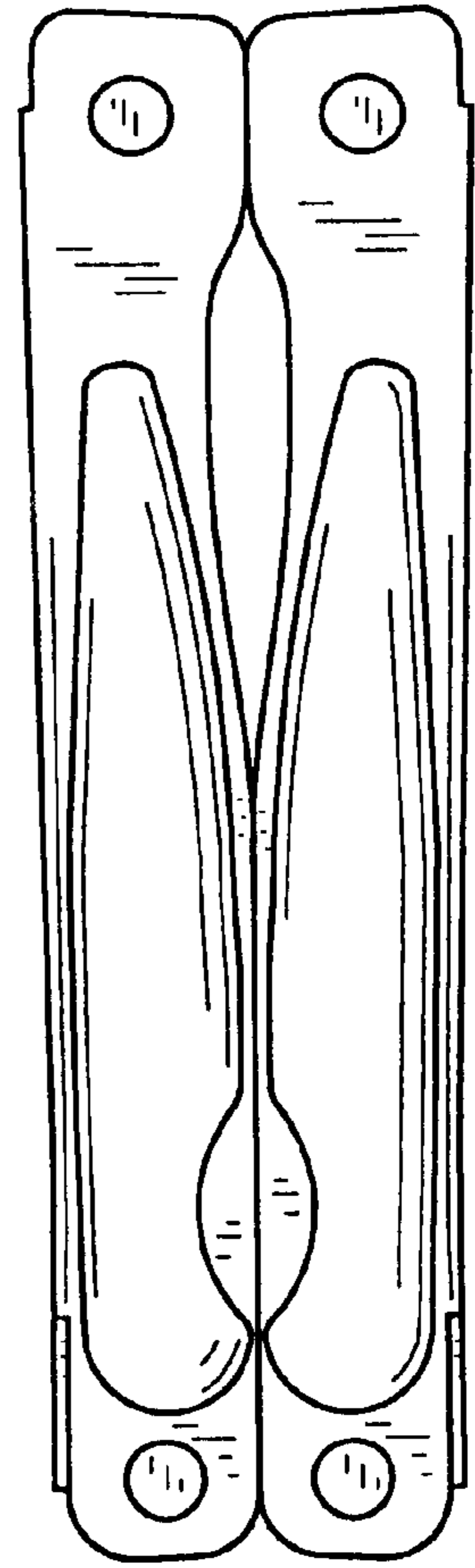


FIG. 7