



US00D477765S

(12) **United States Design Patent**
Hall

(10) **Patent No.:** **US D477,765 S**

(45) **Date of Patent:** **** Jul. 29, 2003**

(54) **SMALL HAND-HELD BAG CUTTING DEVICE**

(74) *Attorney, Agent, or Firm*—Steven W. Webb

(76) **Inventor:** **Christopher Hall**, 6550 Ponto Dr.,
Carlsbad, CA (US) 92008

(57) **CLAIM**

The ornamental design for a small hand-held bag cutting device, as shown and described.

(**) **Term:** **14 Years**

DESCRIPTION

(21) **Appl. No.:** **29/161,403**

FIG. 1 is a perspective view of the small hand-held bag cutting device.

(22) **Filed:** **May 30, 2002**

FIG. 2 is a top plan view of the small hand-held bag cutting device.

(51) **LOC (7) Cl.** **08-98**

FIG. 3 is a front side view of the small hand-held bag cutting device.

(52) **U.S. Cl.** **D8/98**

(58) **Field of Search** D8/14, 98; 30/2,
30/287, 310, 319, 280, 289, 294

FIG. 4 is a left side view of the small hand-held bag cutting device.

(56) **References Cited**

FIG. 5 is a rear side view of the small hand-held bag cutting device.

U.S. PATENT DOCUMENTS

FIG. 6 is a right side view of the small hand-held bag cutting device; and,

4,001,934 A	*	1/1977	Bell	30/124
D255,981 S	*	7/1980	Carbo	D8/98
D366,407 S	*	1/1996	Kendall et al.	D8/98
D370,164 S	*	5/1996	McCracken	D8/98
D424,397 S	*	5/2000	Wiseman	D8/98
D435,775 S	*	1/2001	Rothschild et al.	D8/98

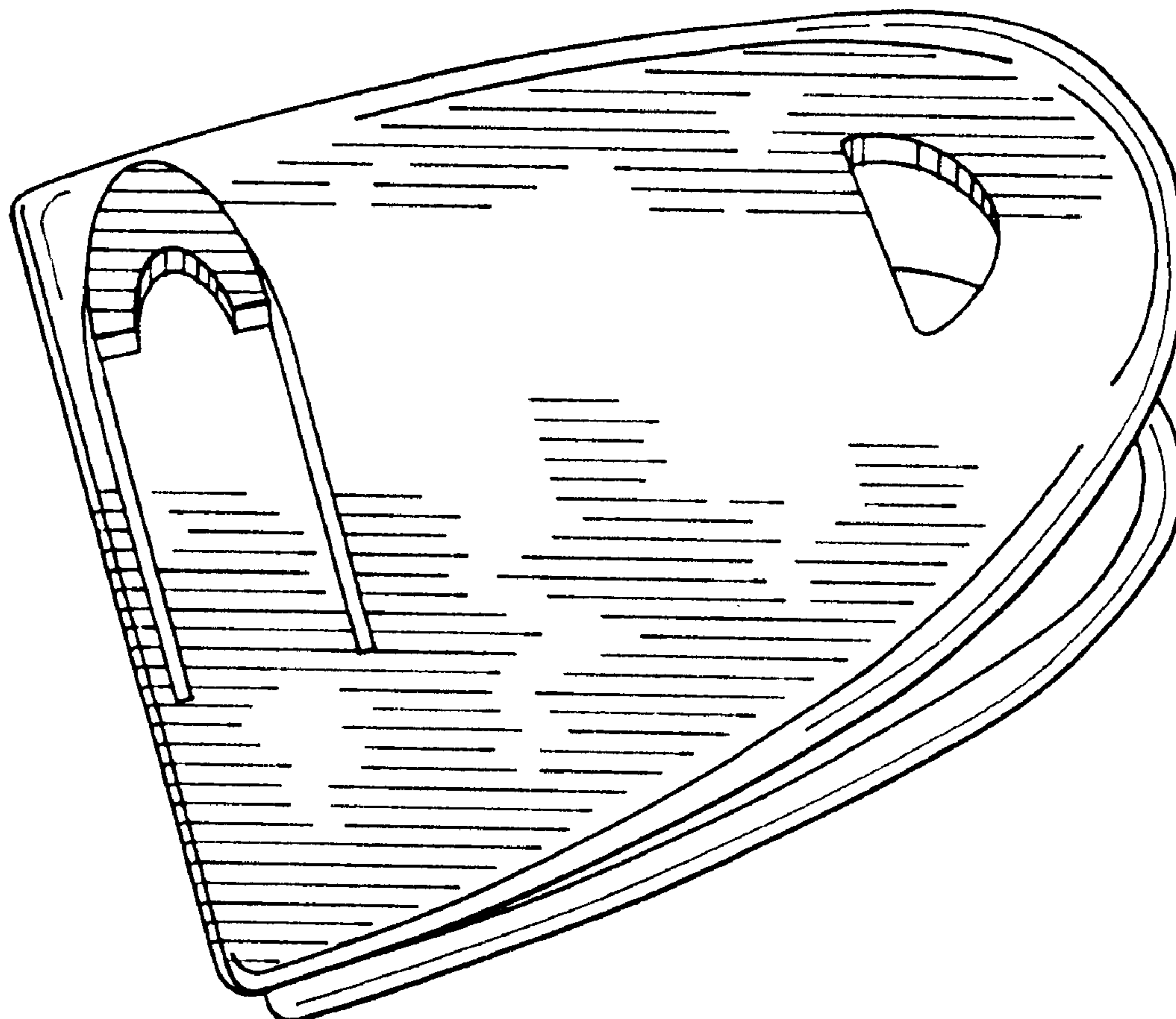
FIG. 7 is a bottom plan view of the small hand-held bag cutting device.

The small hand-held bag cutting device is made of semi-transparent material, is overall smooth in its surface, and has no decoration.

* cited by examiner

Primary Examiner—Philip S. Hyder

1 Claim, 2 Drawing Sheets



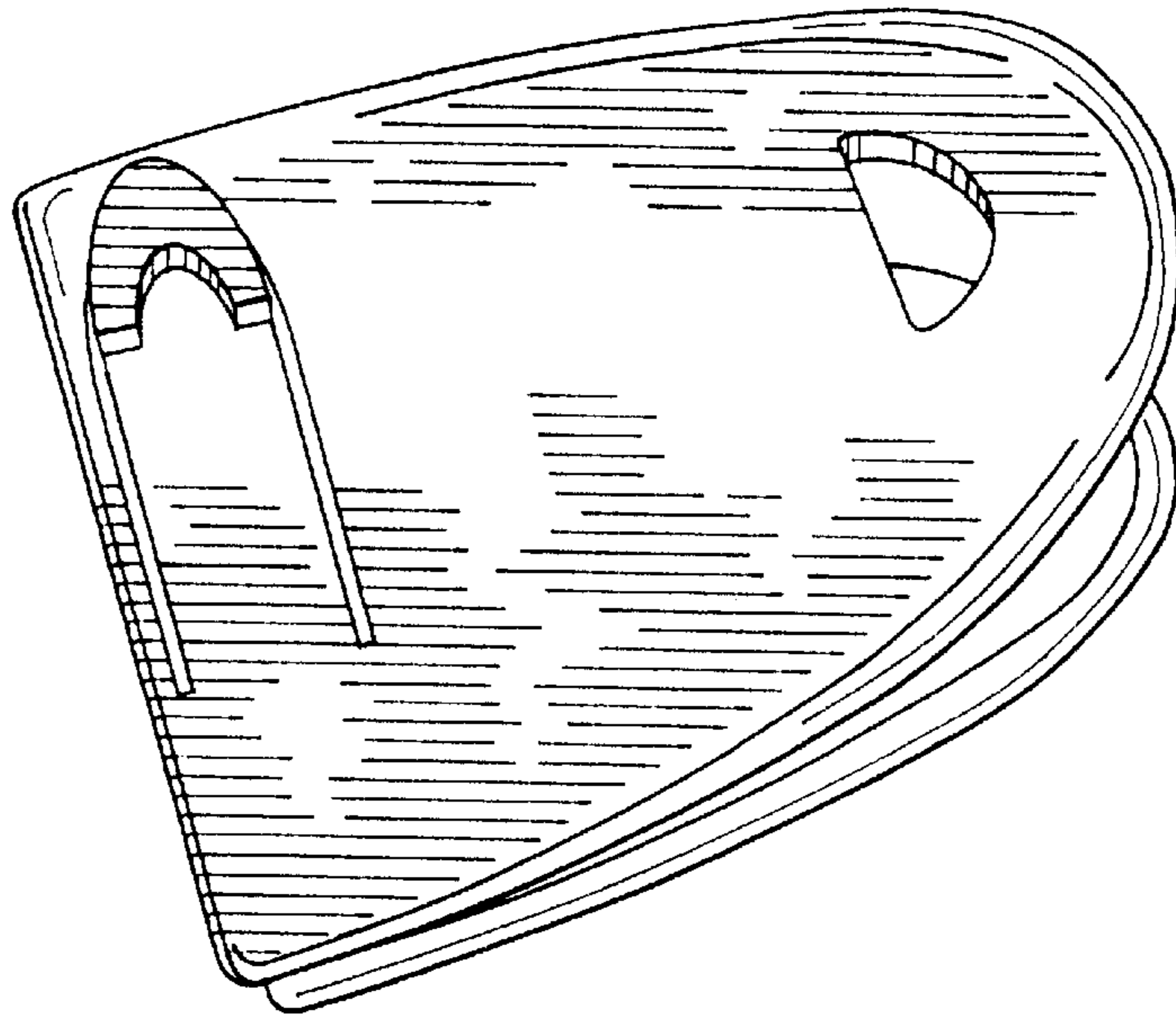


Fig. 1

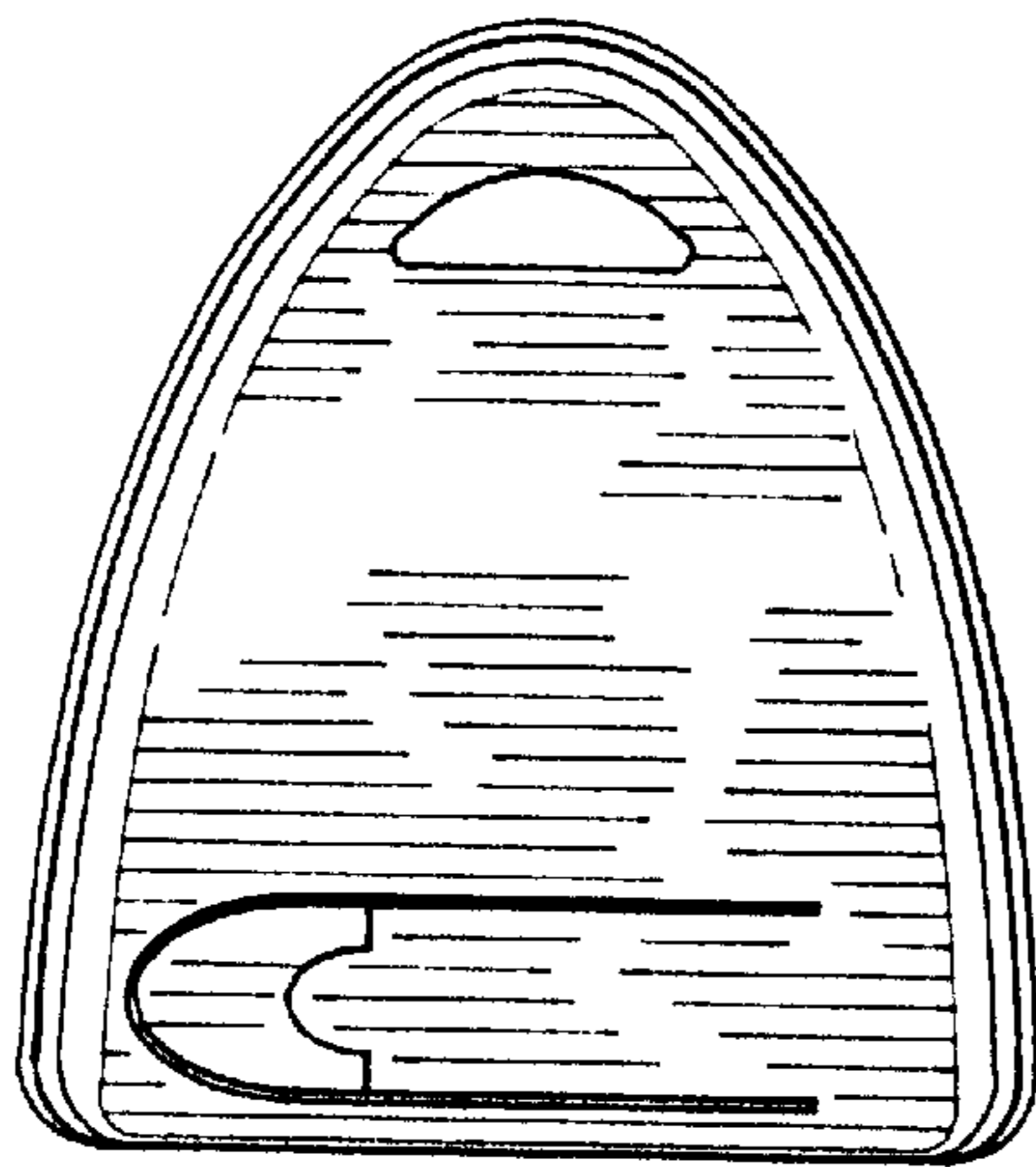


Fig. 2

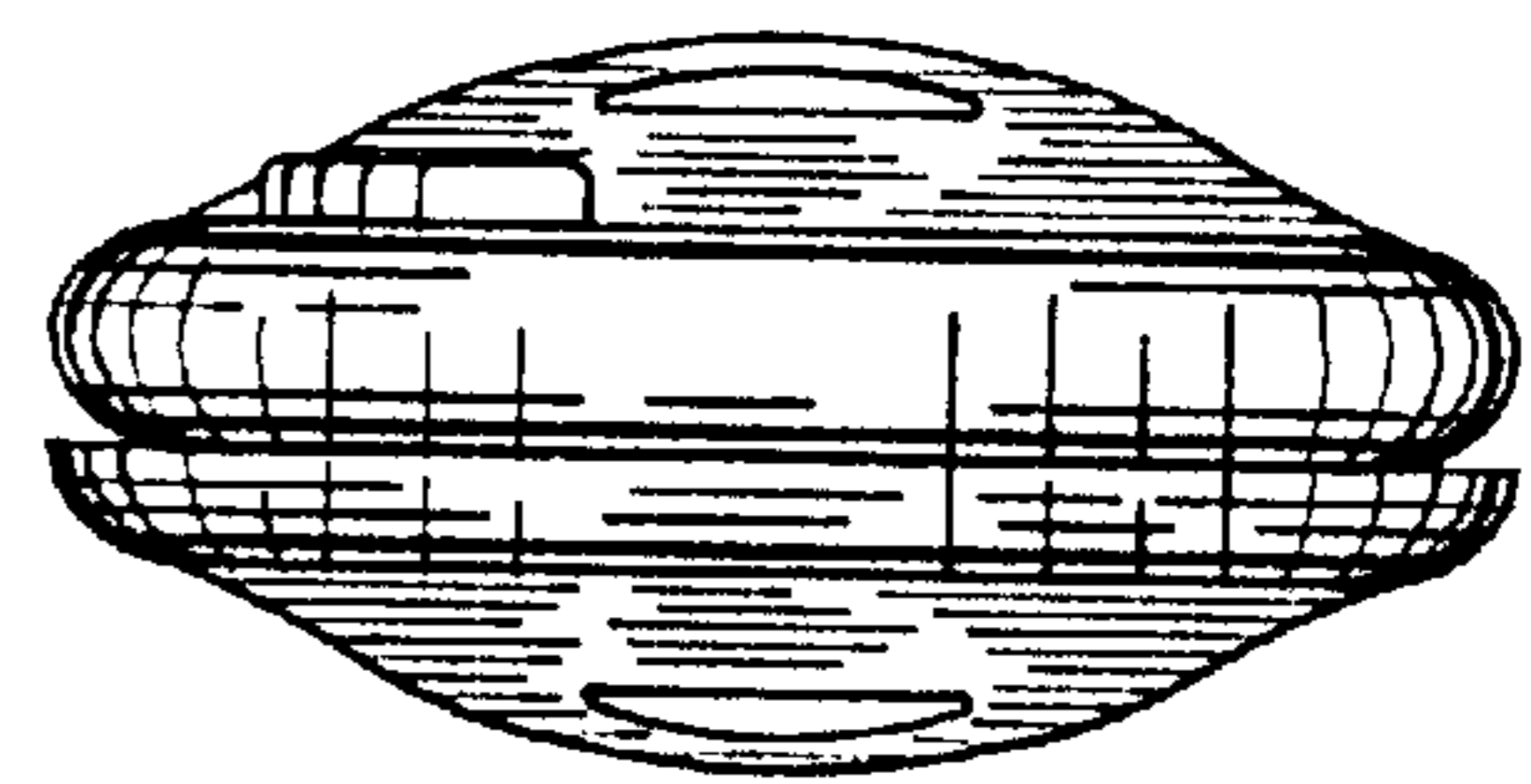


Fig. 3

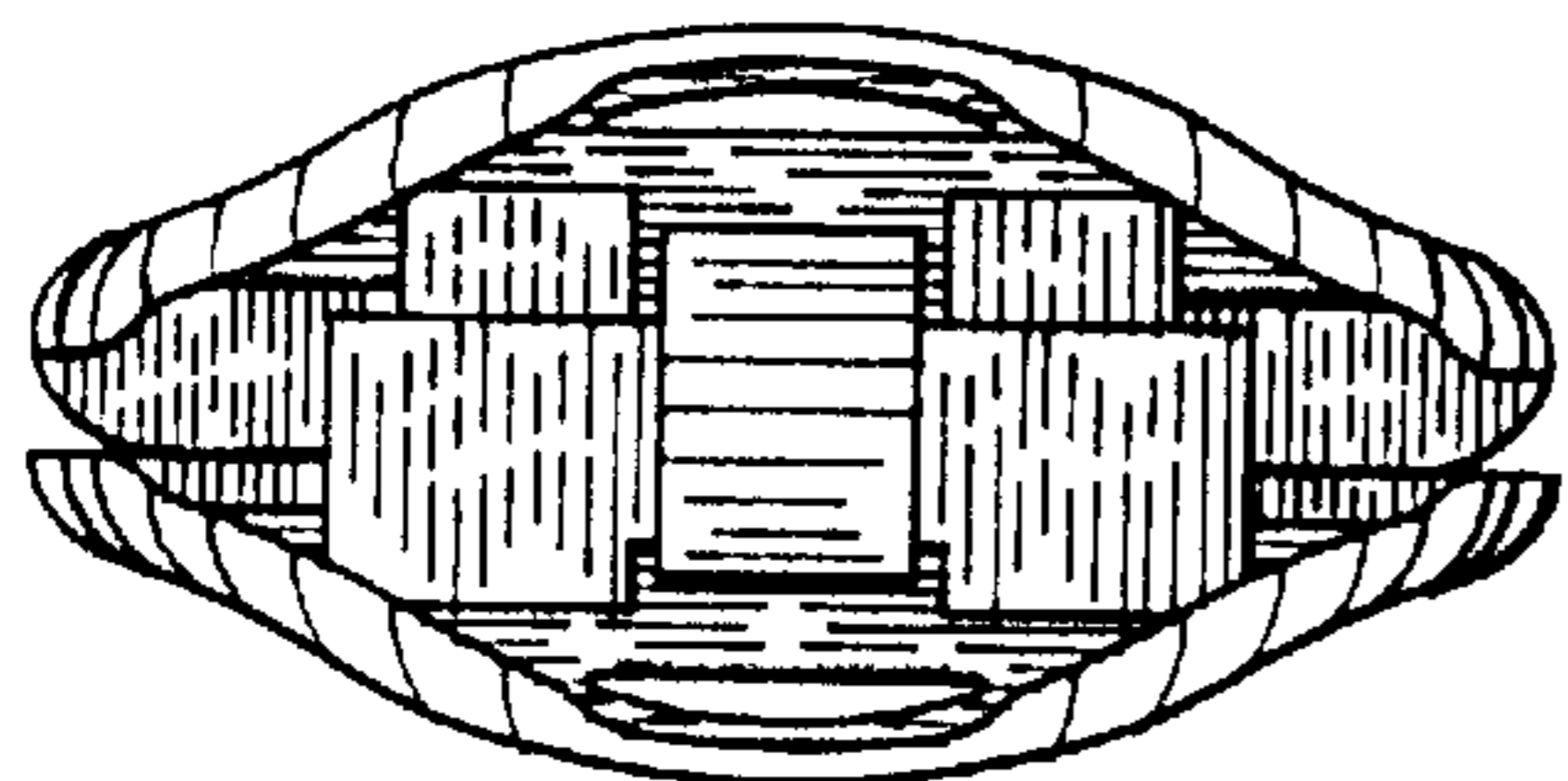


Fig. 5

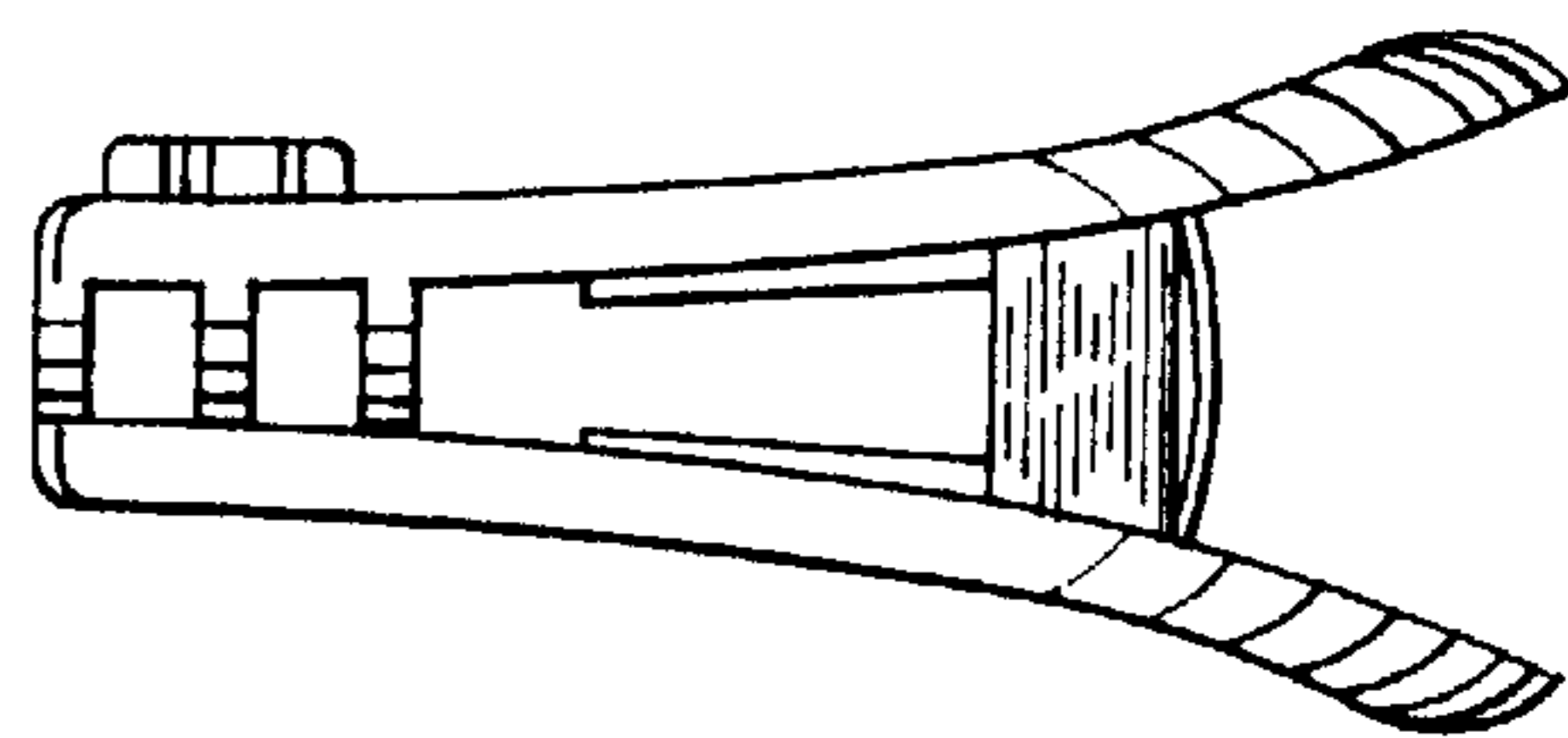


Fig. 4

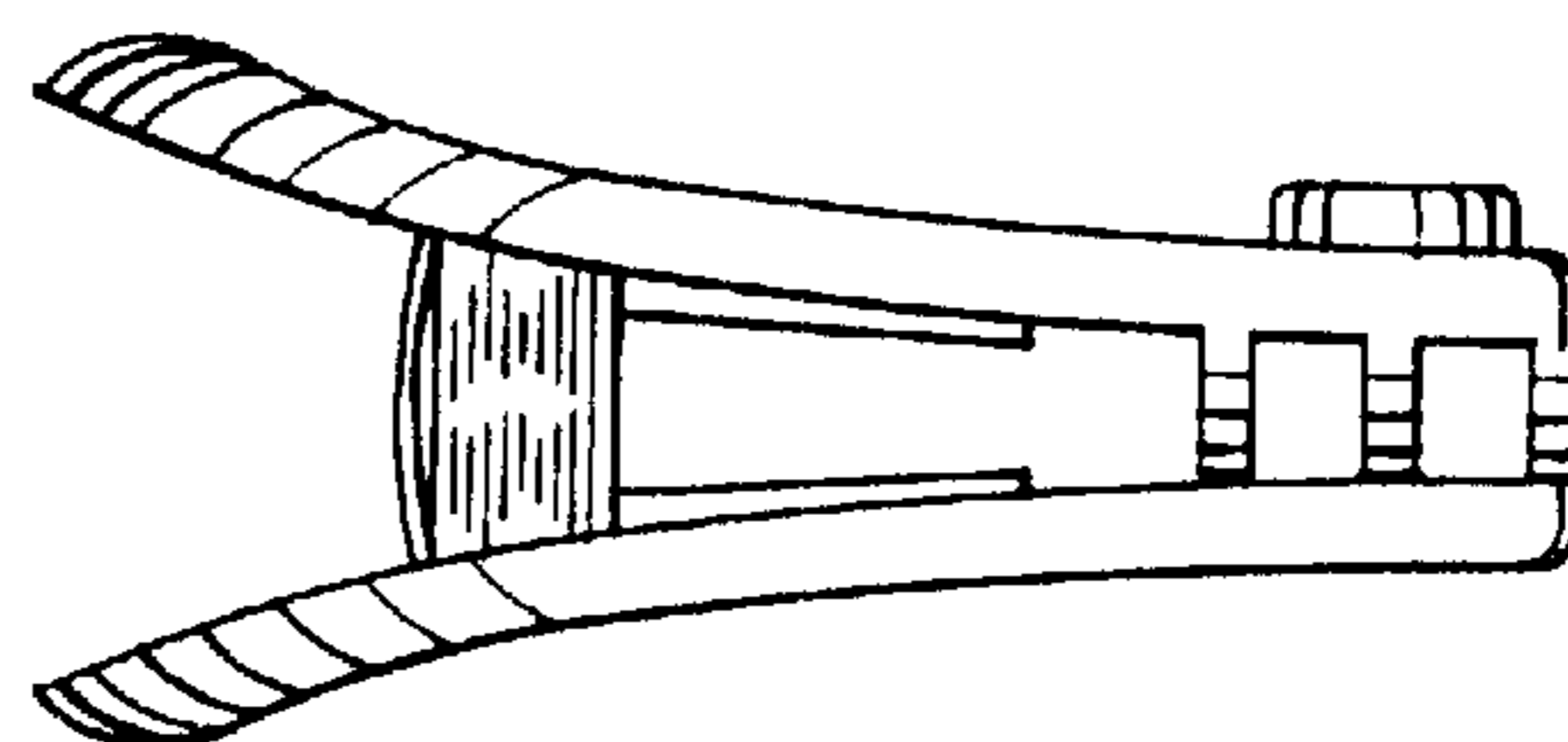


Fig. 6

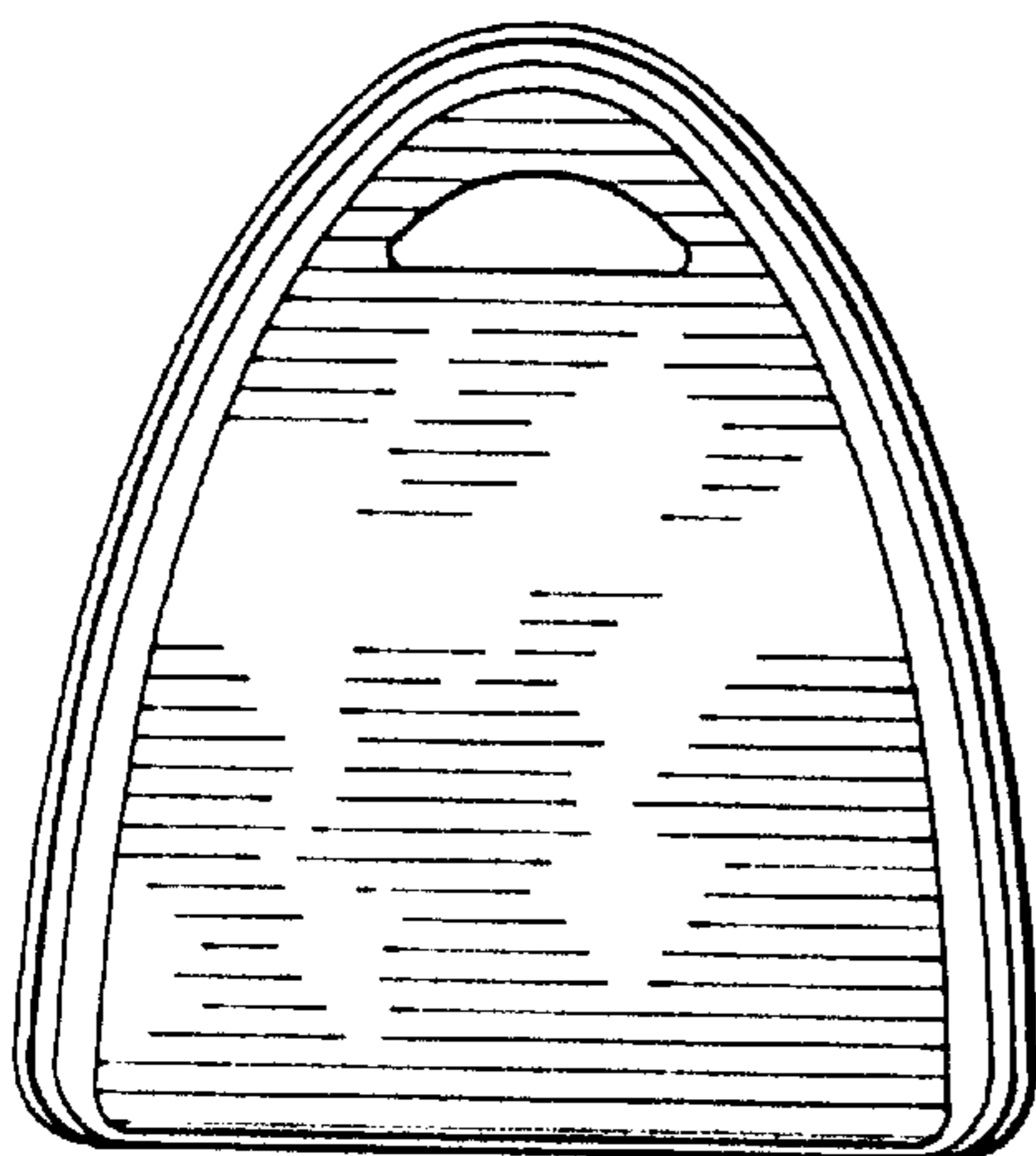


Fig. 7