



US00D47764S

(12) **United States Design Patent**
Magann

(10) **Patent No.:** **US D477,764 S**

(45) **Date of Patent:** **** Jul. 29, 2003**

(54) **SANDING UNIT**

(76) **Inventor:** **Keith Wilder Magann, 2710 Youngs Dr., Haymarket, VA (US) 20169**

(**) **Term:** **14 Years**

(21) **Appl. No.:** **29/171,643**

(22) **Filed:** **Nov. 27, 2002**

Related U.S. Application Data

(62) Division of application No. 29/155,171, filed on Feb. 6, 2002, now Pat. No. Des. 470,381.

(51) **LOC (7) Cl.** **08-05**

(52) **U.S. Cl.** **D8/90**

(58) **Field of Search** D8/90, 94, 45;
451/523, 524, 525, 526, 527, 530, 555

(56) **References Cited**

U.S. PATENT DOCUMENTS

4,922,665 A	5/1990	Wanatowicz	401/137
D310,012 S	* 8/1990	Henke et al.	D8/90
5,054,248 A	10/1991	Thayer	451/490
D329,583 S	9/1992	Medina	D8/90

5,168,672 A	12/1992	Gregoire, Sr.	451/502
D365,507 S	12/1995	Pope	D8/90
5,512,010 A	4/1996	Labad, Jr.	15/105
5,634,843 A	6/1997	Liu	451/344
5,662,519 A	9/1997	Arnold	451/495
5,902,176 A	5/1999	Chen	451/517
D429,136 S	8/2000	Ali et al.	D8/90

* cited by examiner

Primary Examiner—Philip S. Hyder

(74) *Attorney, Agent, or Firm*—Fleshner & Kim, LLP

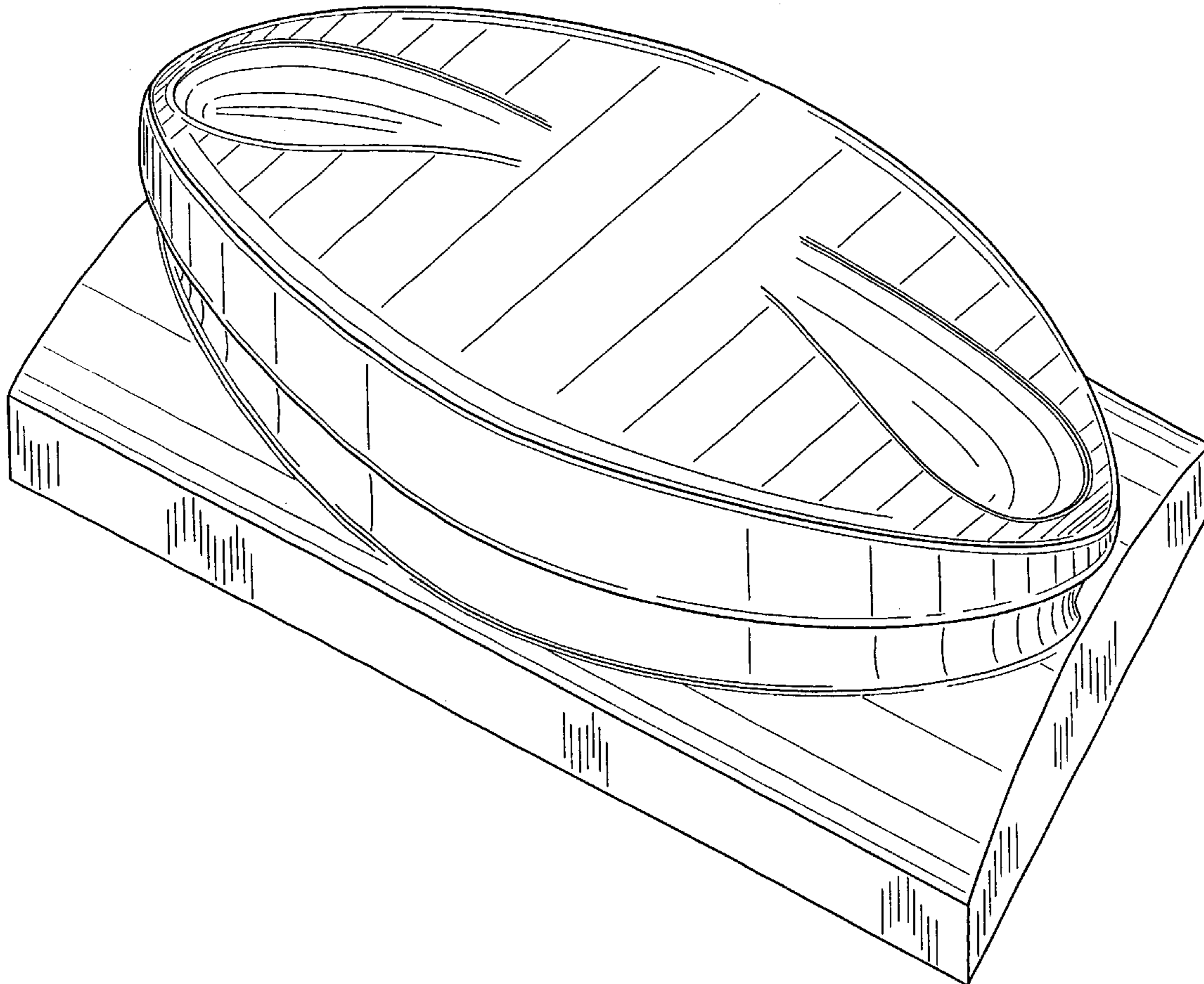
(57) **CLAIM**

The ornamental design for a sanding unit, as shown and described.

DESCRIPTION

Fig. 1 is a perspective view of a sanding unit showing my new design;
FIG. 2 is a right side view thereof, the left side view being a mirror image;
FIG. 3 is a front view thereof, the rear view being a mirror image;
FIG. 4 is a top view thereof; and,
FIG. 5 is a bottom view thereof.

1 Claim, 3 Drawing Sheets



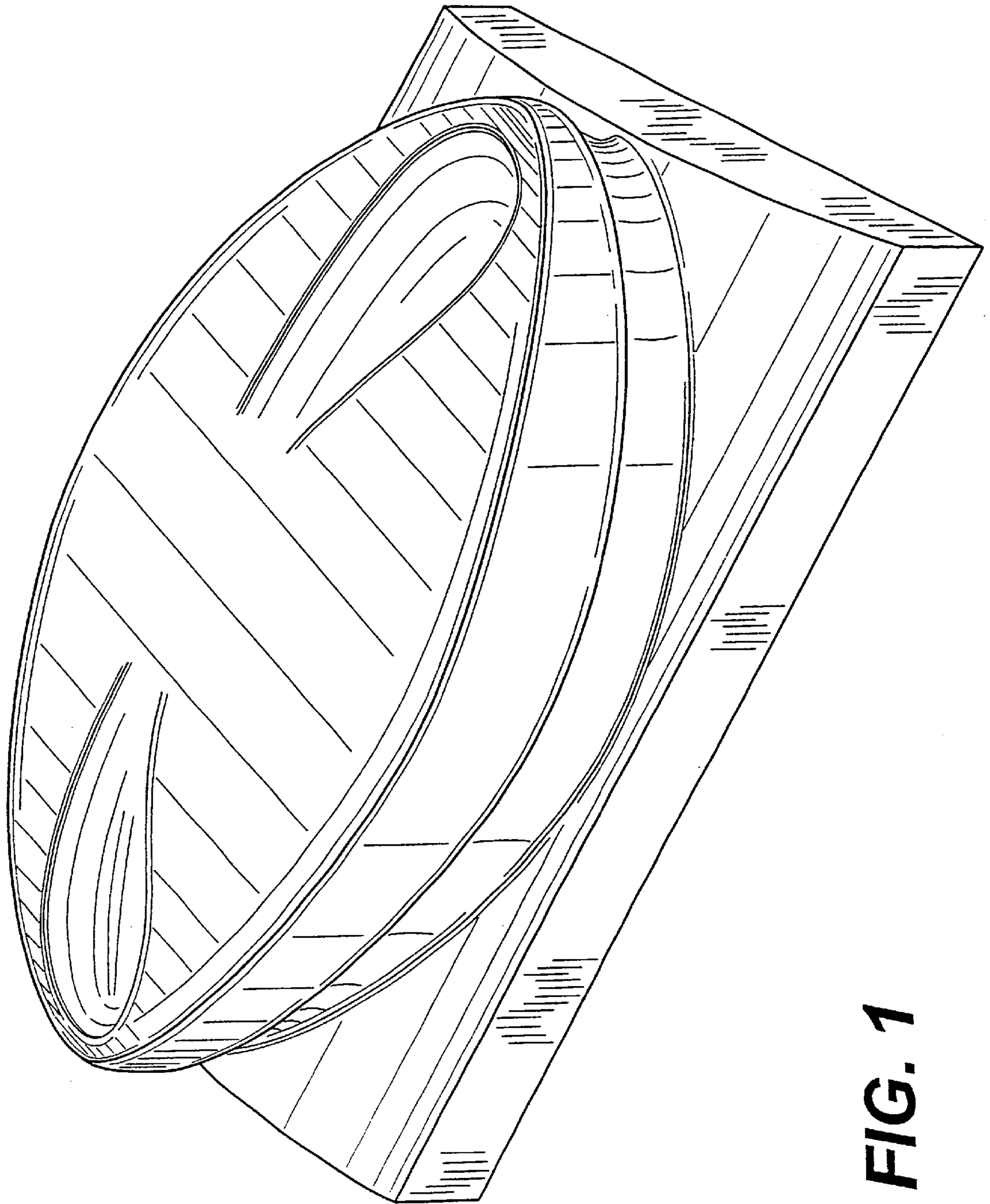


FIG. 1

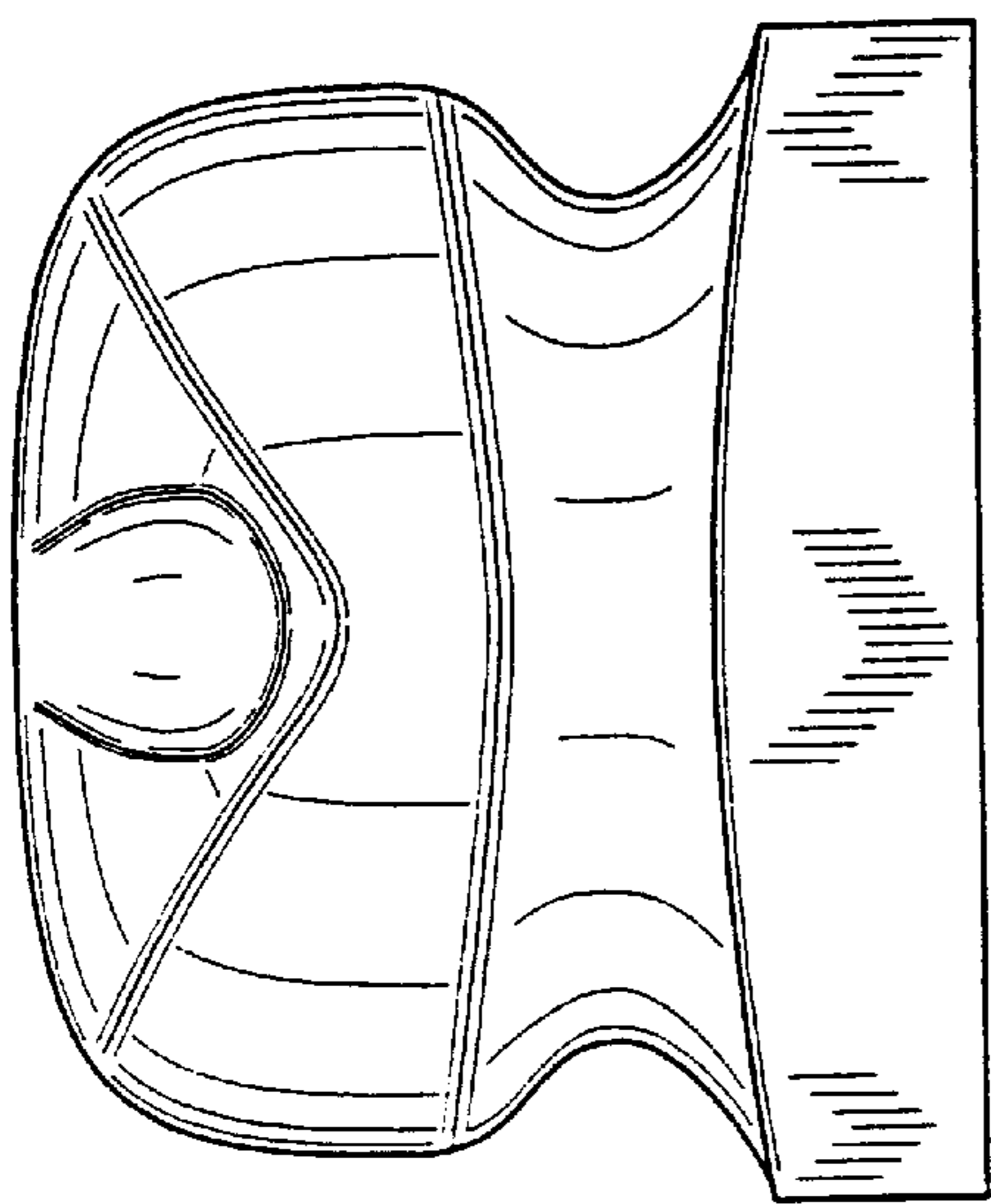


FIG. 2

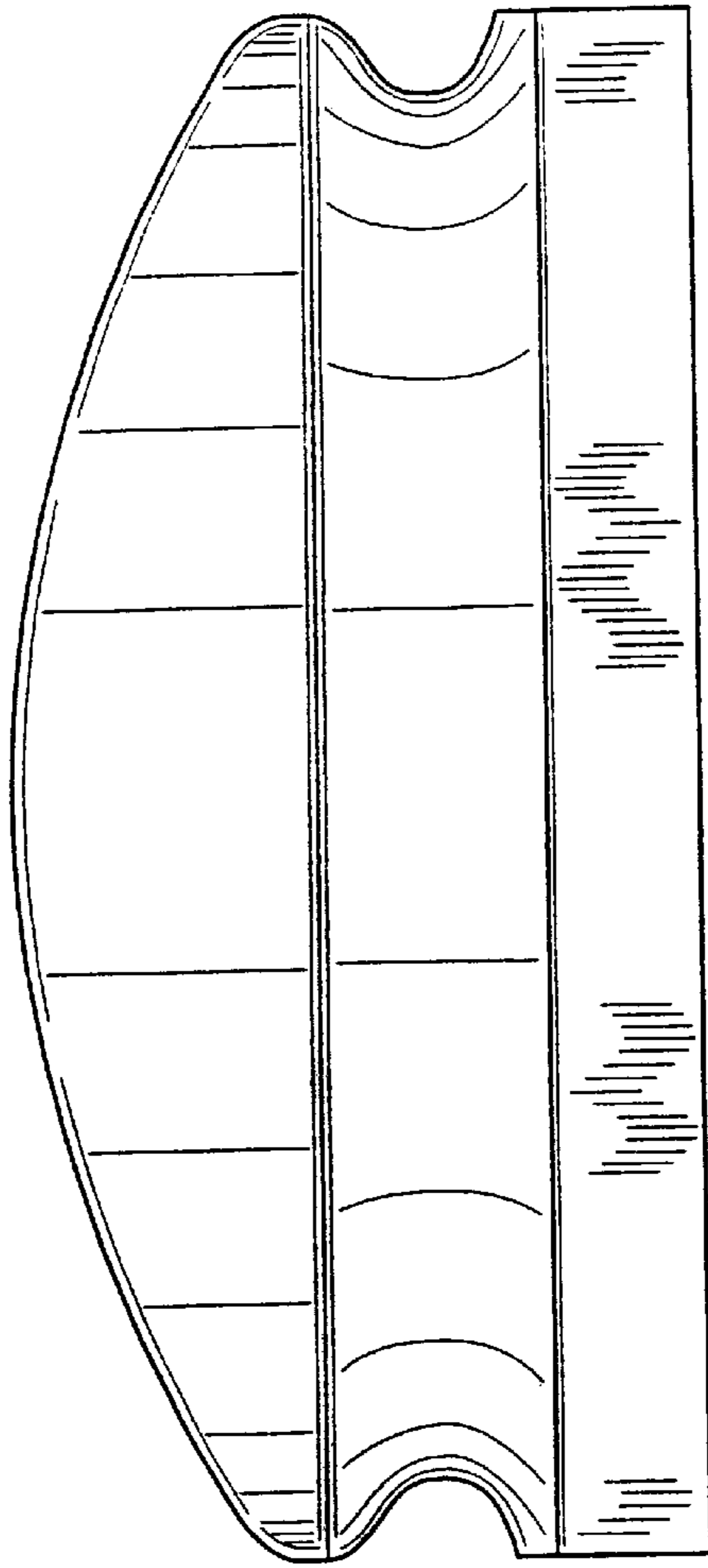


FIG. 3

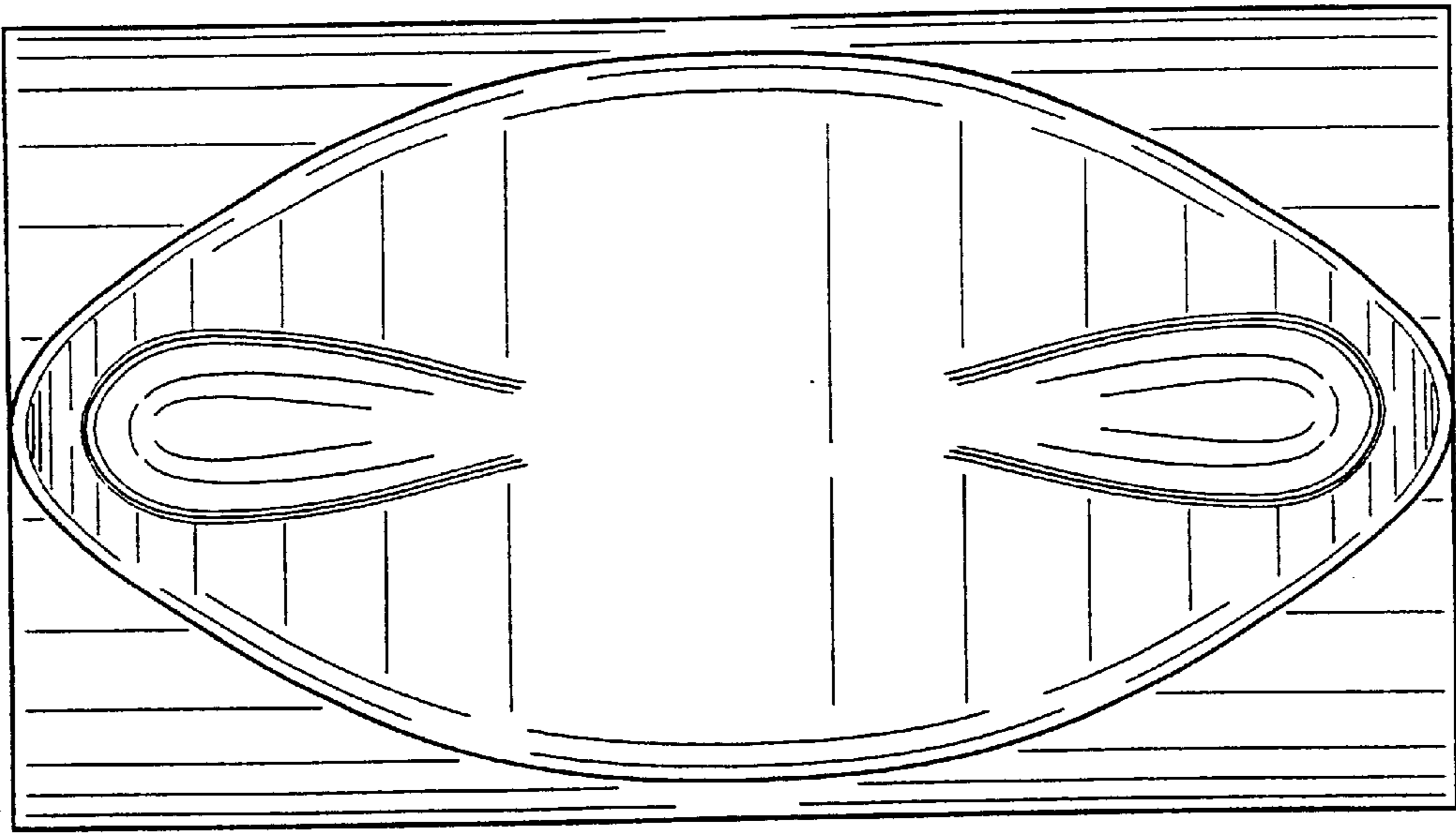


FIG. 4

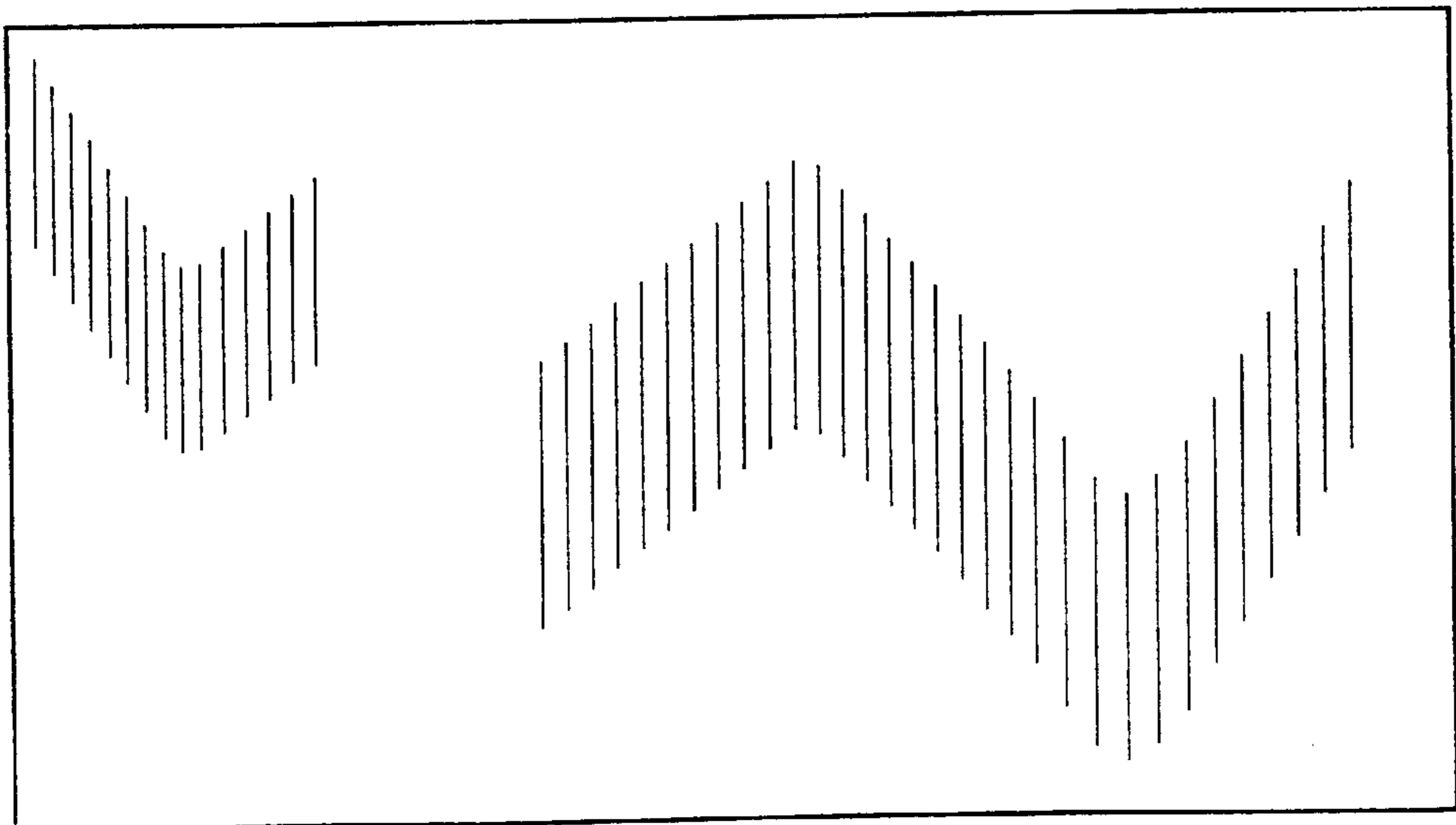


FIG. 5