



US00D477762S

(12) **United States Design Patent**
Bor

(10) **Patent No.:** **US D477,762 S**

(45) **Date of Patent:** **** Jul. 29, 2003**

(54) **PNEUMATIC STAPLER**

(75) **Inventor:** **Chien-Guo Bor, Taichung (TW)**

(73) **Assignee:** **Basso Industry Corp., Taichung (TW)**

(**) **Term:** **14 Years**

(21) **Appl. No.:** **29/171,132**

(22) **Filed:** **Nov. 18, 2002**

(51) **LOC (7) Cl.** **08-05**

(52) **U.S. Cl.** **D8/68; D8/69**

(58) **Field of Search** **D8/61, 62, 63,**
D8/64, 65, 66, 67, 68, 69, 70; 81/57.11,
429, 464, 465, 466, 469, 489; 173/13, 169,
178, 213, 217; 227/8, 114, 120, 130, 136,
142; 310/50; 408/20, 124, 125, 234, 241 R;
451/358

(56) **References Cited**

U.S. PATENT DOCUMENTS

D316,022 S	*	4/1991	Moraht	D8/69
D338,818 S	*	8/1993	Katsuba	D8/69
5,564,614 A	*	10/1996	Yang	227/142
5,720,422 A	*	2/1998	Ichikawa et al.	227/120

D410,182 S	*	5/1999	Etter et al.	D8/69
6,036,072 A	*	3/2000	Lee	227/120
D435,769 S	*	1/2001	Etter et al.	D8/68
6,296,167 B1	*	10/2001	Jen	227/120
D459,184 S	*	6/2002	Buck	D8/69
D462,884 S	*	9/2002	Oh	D8/69

* cited by examiner

Primary Examiner—Doris V. Coles

Assistant Examiner—T. Chase Nelson

(74) *Attorney, Agent, or Firm*—Charles E. Baxley

(57) **CLAIM**

The ornamental design for a pneumatic stapler, as shown and described.

DESCRIPTION

FIG. 1 is a perspective view of a pneumatic stapler showing my new design;

FIG. 2 is a front elevational view thereof;

FIG. 3 is a rear elevational view thereof,

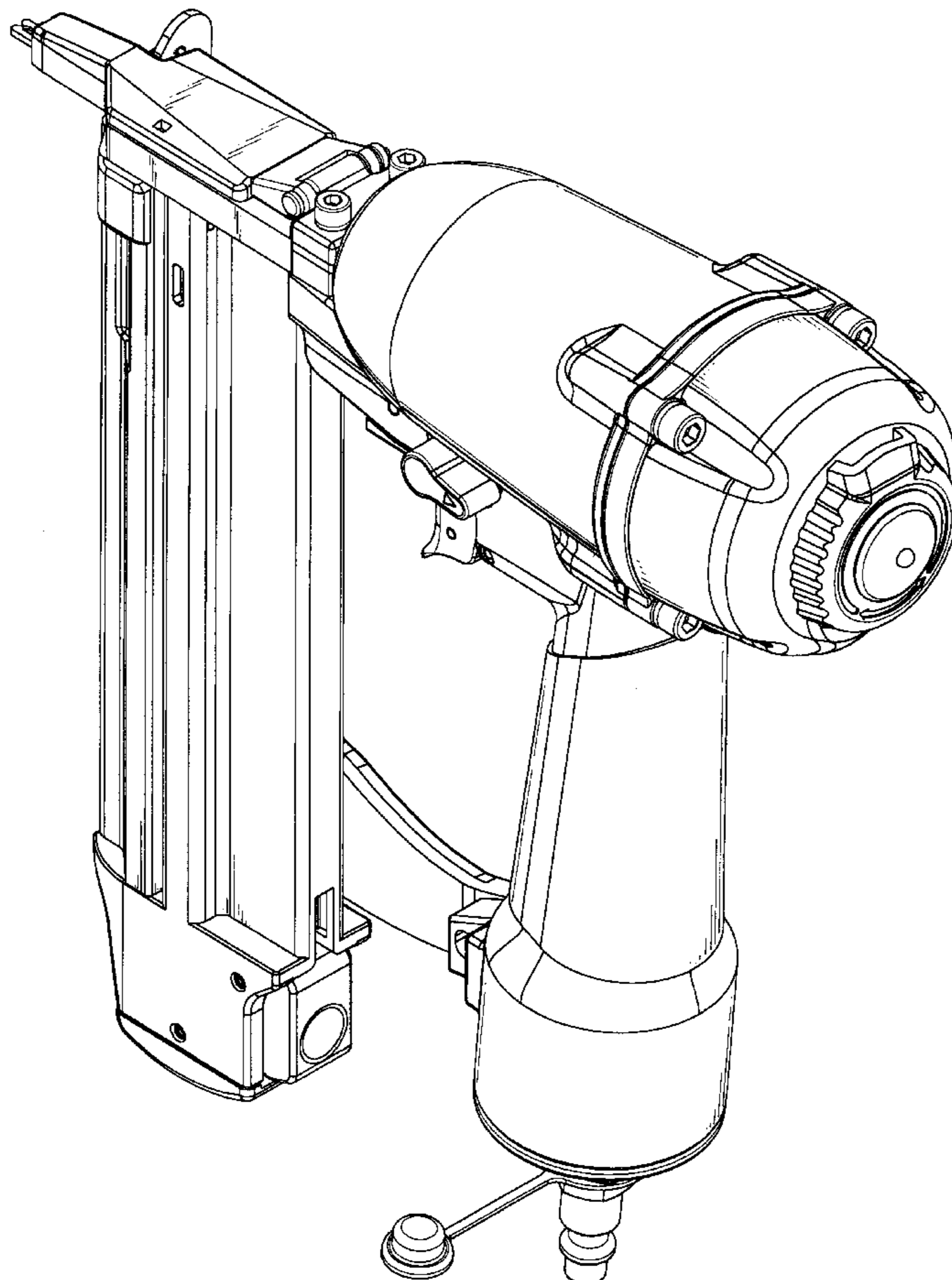
FIG. 4 is a left side elevational view thereof,

FIG. 5 is a right side elevational view thereof,

FIG. 6 is a top plan view thereof; and,

FIG. 7 is a bottom plan view to that shown.

1 Claim, 7 Drawing Sheets



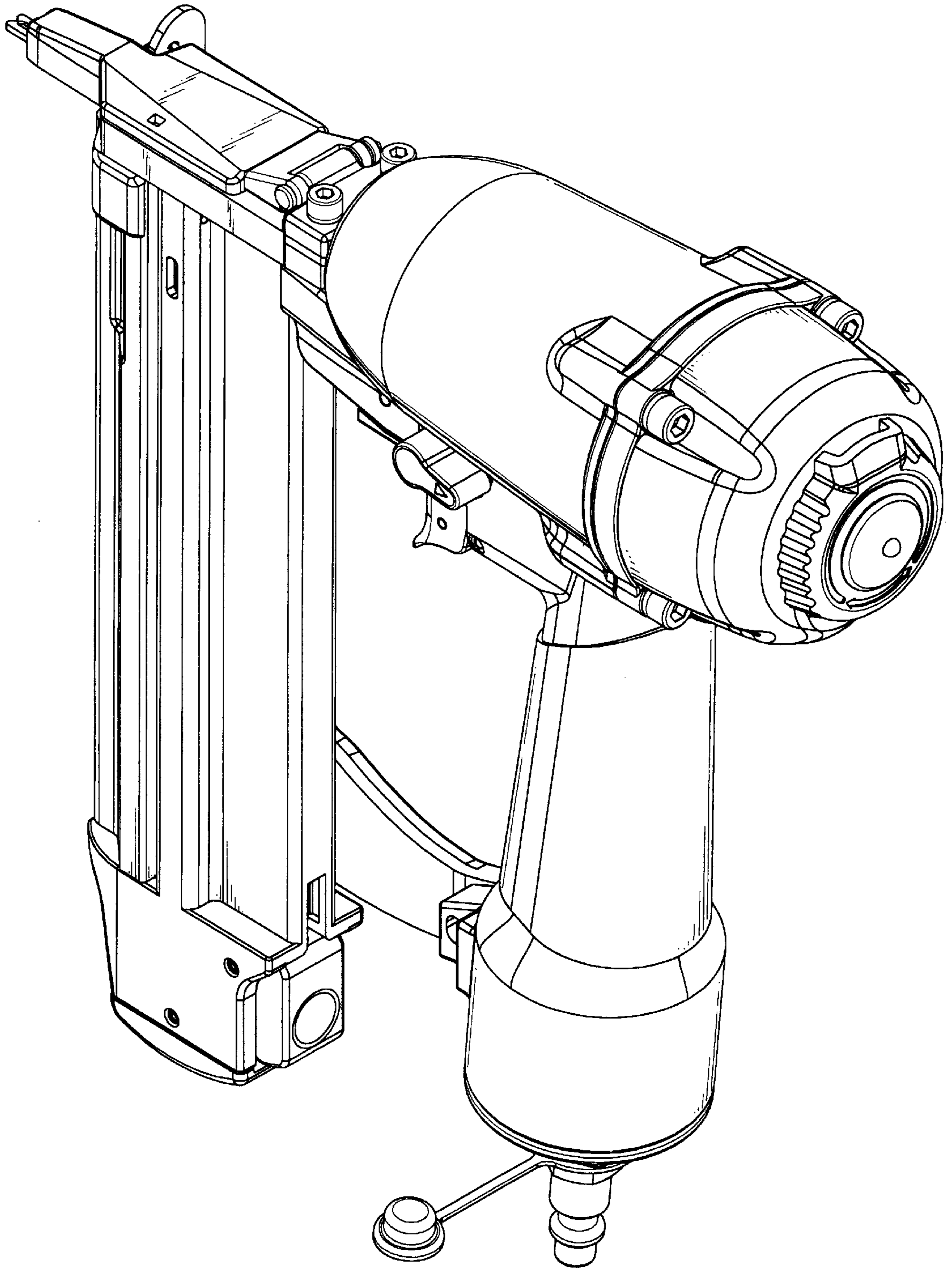


FIG. 1

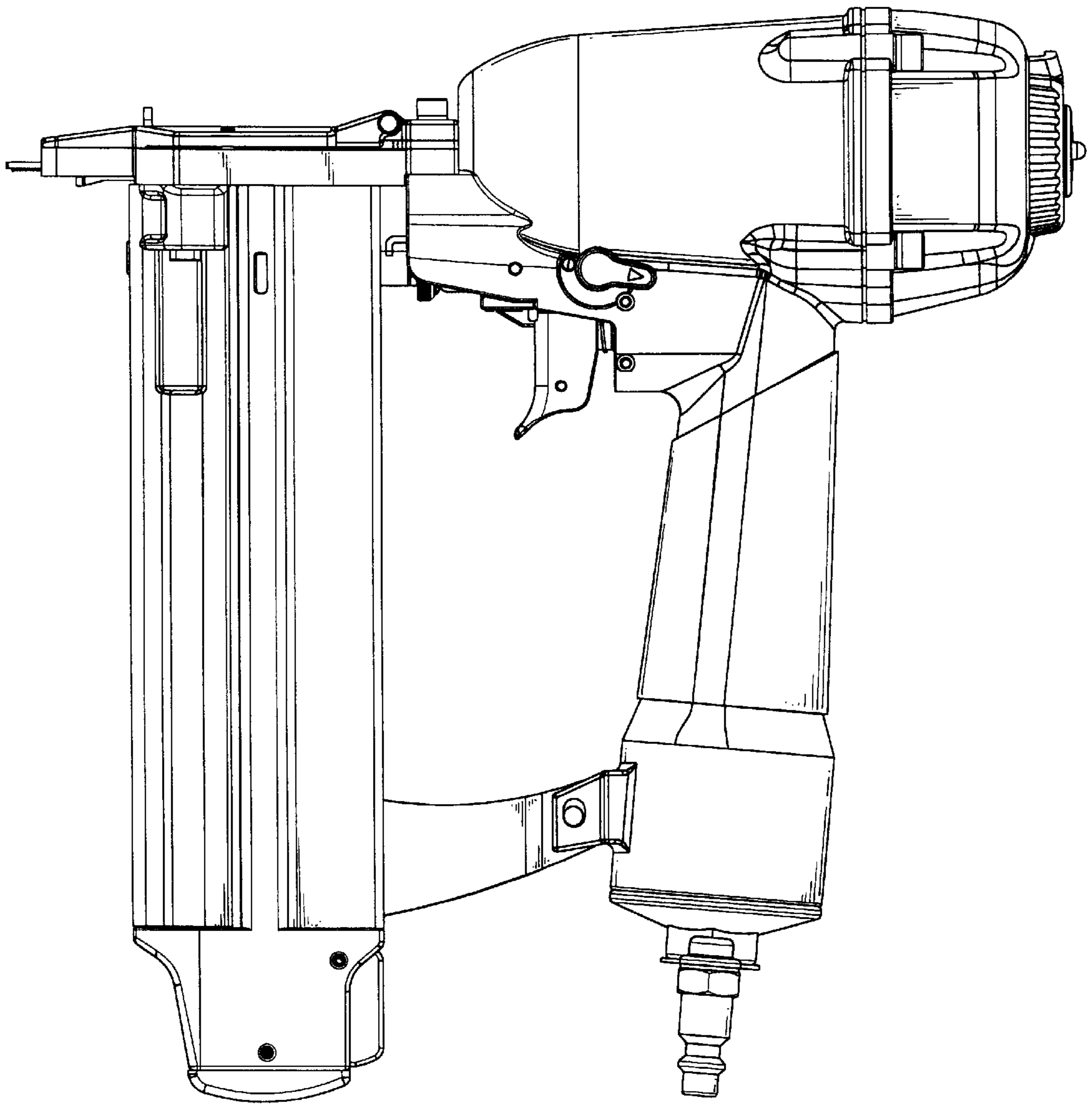


FIG. 2

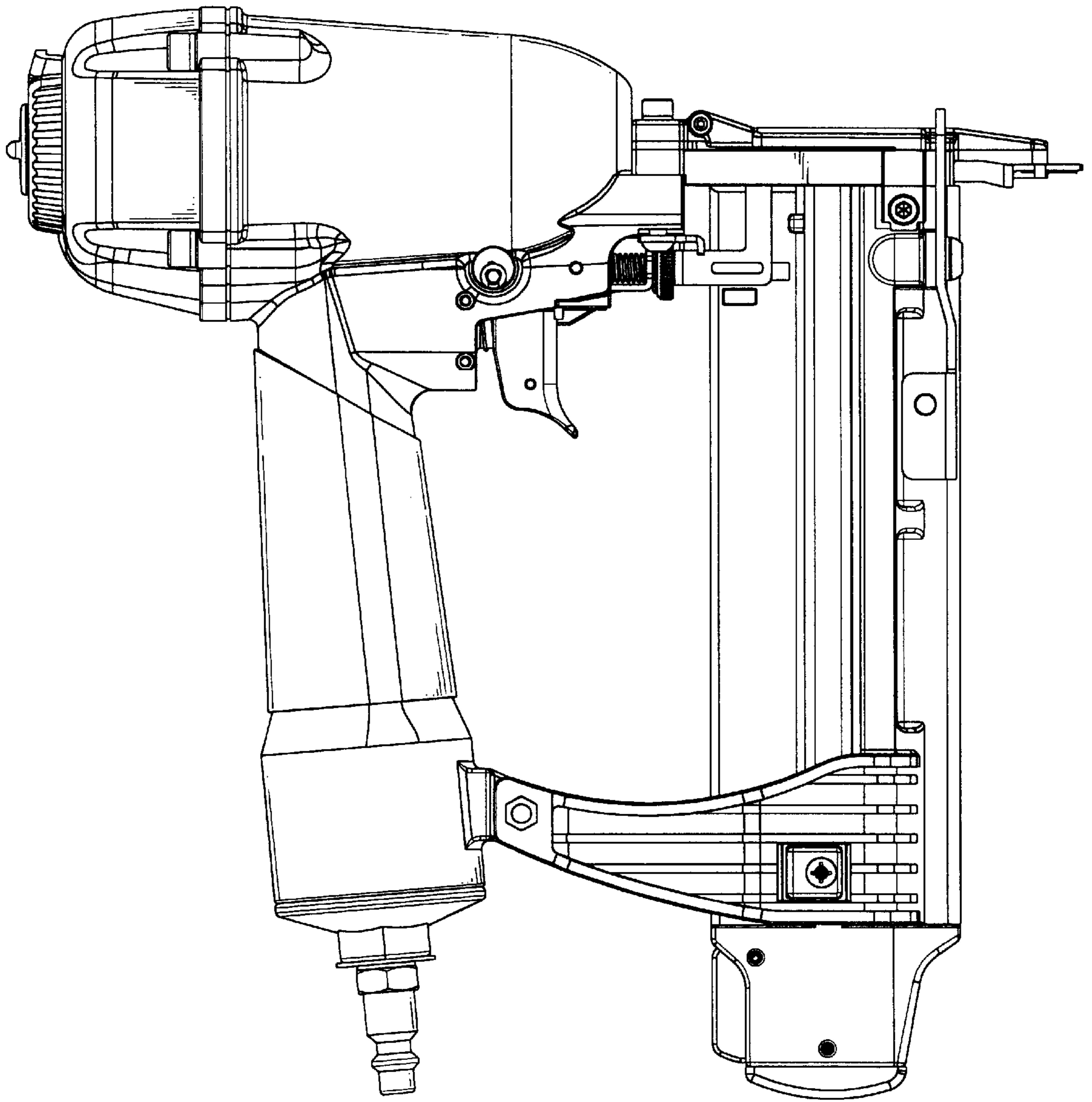


FIG. 3

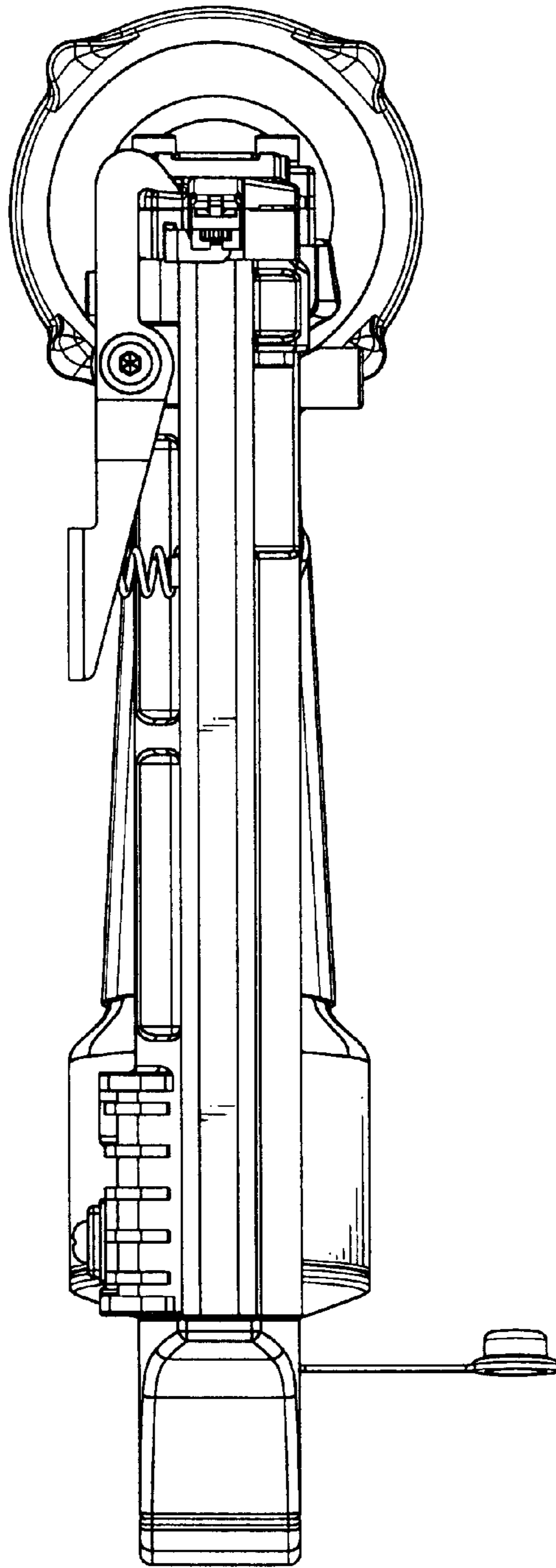


FIG. 4

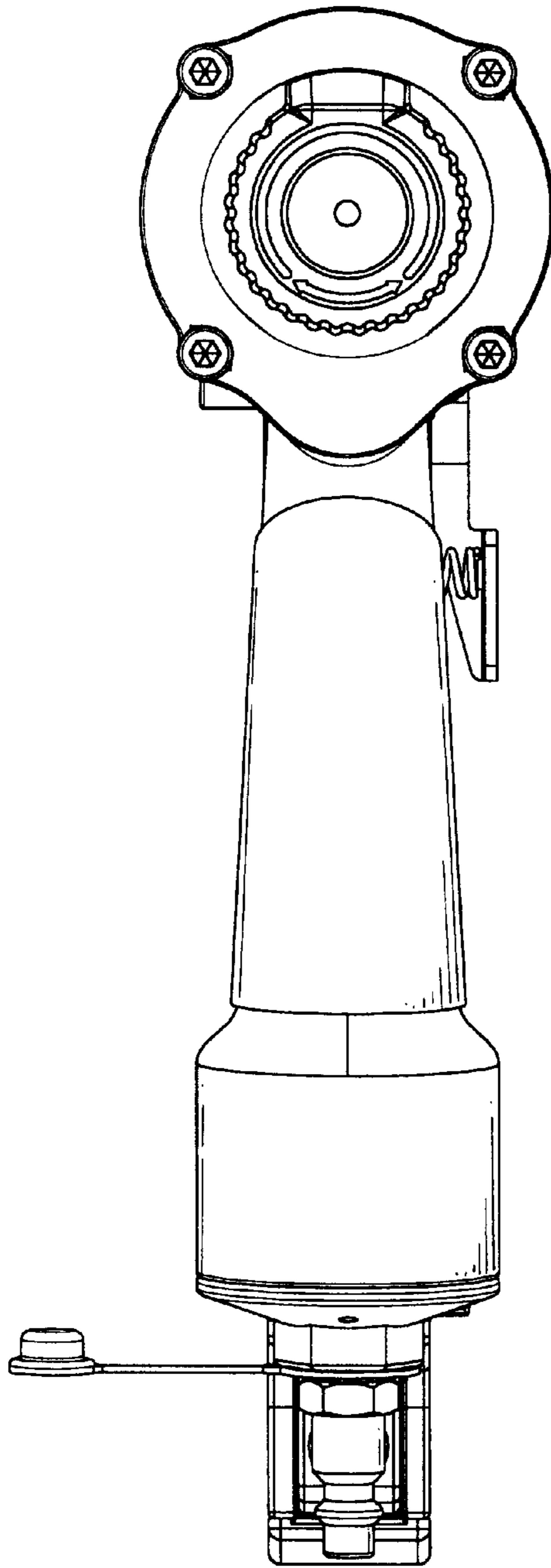


FIG. 5

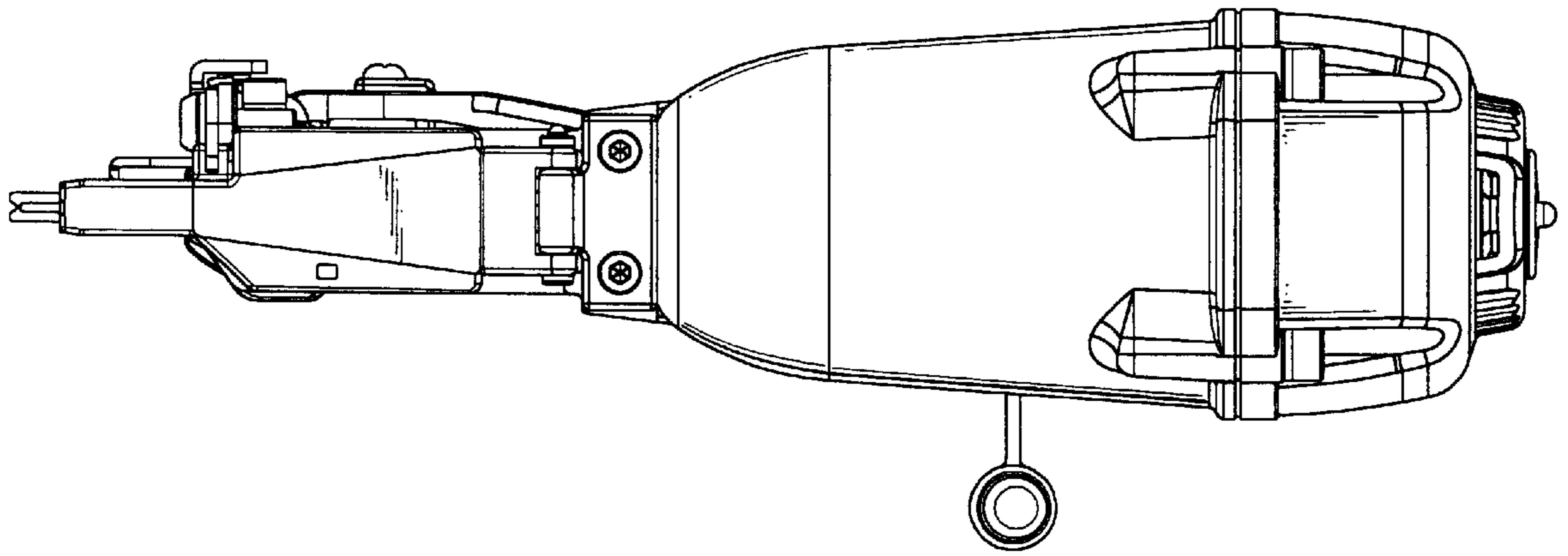


FIG. 6

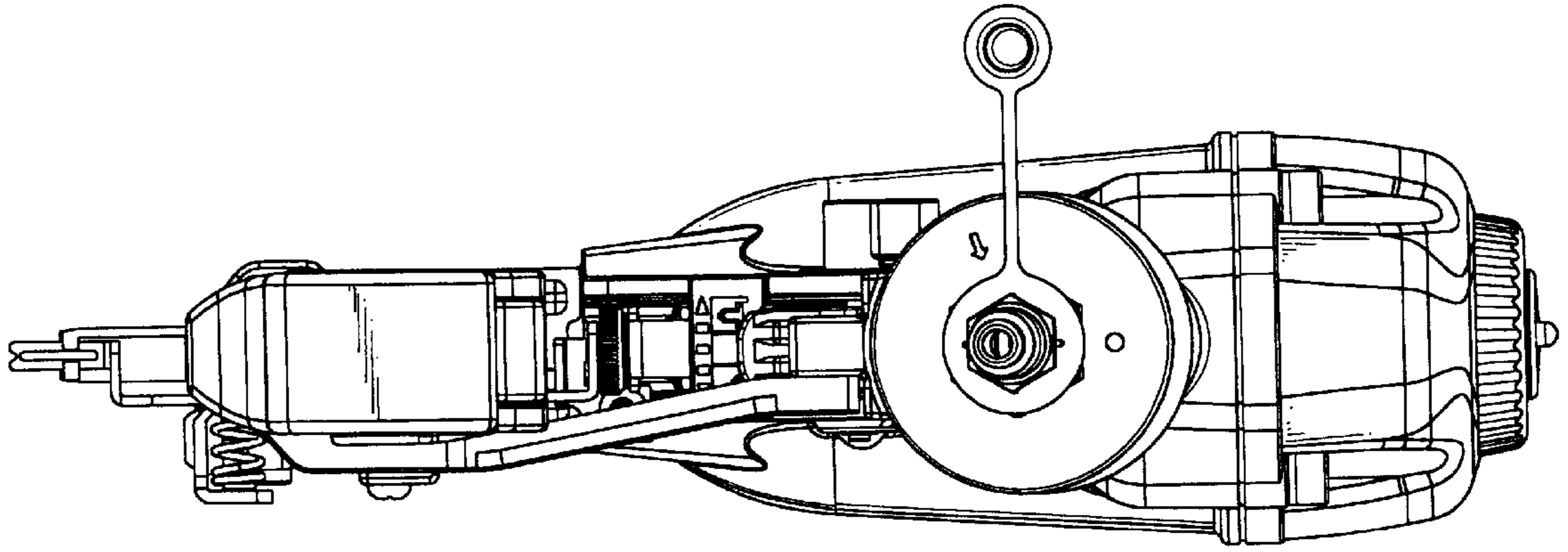


FIG. 7