



US00D477761S

(12) **United States Design Patent**
Liu et al.

(10) **Patent No.:** **US D477,761 S**
(45) **Date of Patent:** **** Jul. 29, 2003**

(54) **PNEUMATIC TOOL**

(75) Inventors: **You-Jie Liu**, Taichung (TW); **Qiang Hua**, Taichung (TW); **Jing-Hua Guo**, Taichung (TW)

(73) Assignee: **Basso Industry Corp.**, Taichung (TW)

(**) Term: **14 Years**

(21) Appl. No.: **29/171,126**

(22) Filed: **Nov. 18, 2002**

(51) **LOC (7) Cl.** **08-05**

(52) **U.S. Cl.** **D8/68**

(58) **Field of Search** D8/61, 62, 63,
D8/64, 65, 66, 67, 68, 69, 70; 81/57.11,
429, 464, 465, 466, 469, 489; 173/13, 169,
178, 213, 217; 227/8, 114, 120, 130, 136,
142; 310/50; 408/20, 124, 125, 234, 241 R;
451/358

(56) **References Cited**

U.S. PATENT DOCUMENTS

3,037,740 A * 6/1962 Sheps et al. 173/169
3,352,368 A * 11/1967 Maffey, Jr. D8/68
5,918,686 A * 7/1999 Izumisawa 173/169

6,062,323 A * 5/2000 Pusateri et al. 173/169
D434,297 S * 11/2000 Iritani et al. D8/68
D434,958 S * 12/2000 Izumisawa D8/68
D436,818 S * 1/2001 Izumisawa D8/68
D441,628 S * 5/2001 Bass et al. D8/68
D454,475 S * 3/2002 Taga D8/68
D467,782 S * 12/2002 Morgan D8/68

* cited by examiner

Primary Examiner—Doris V. Coles

Assistant Examiner—T. Chase Nelson

(74) *Attorney, Agent, or Firm*—Charles E. Baxley

(57) **CLAIM**

The ornamental design for a pneumatic tool, as shown and described.

DESCRIPTION

FIG. 1 is a perspective view of a pneumatic tool showing our new design;

FIG. 2 is a front elevational view thereof;

FIG. 3 is a rear elevational view thereof,

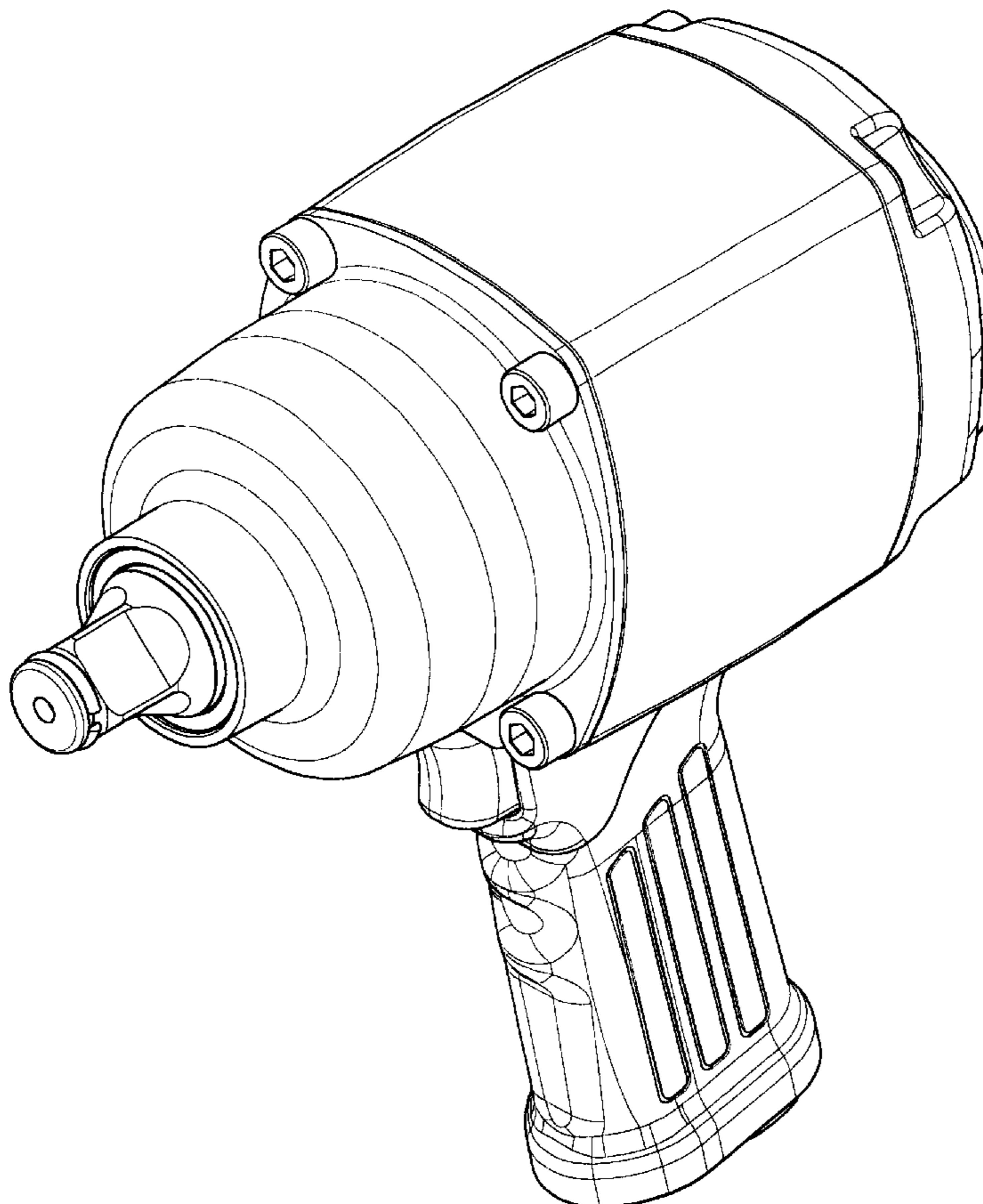
FIG. 4 is a left side elevational view thereof,

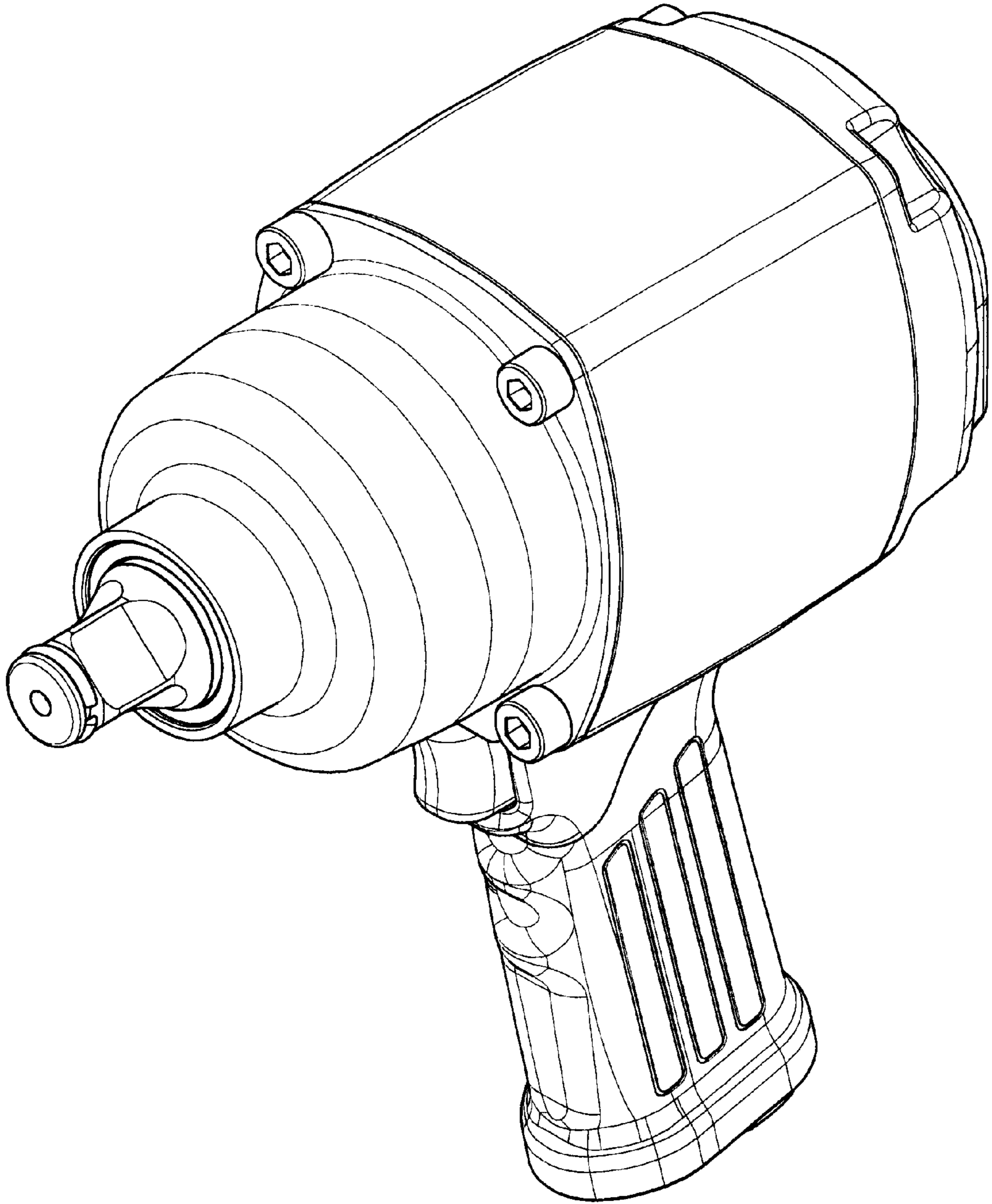
FIG. 5 is a right side elevational view thereof,

FIG. 6 is a top plan view thereof; and,

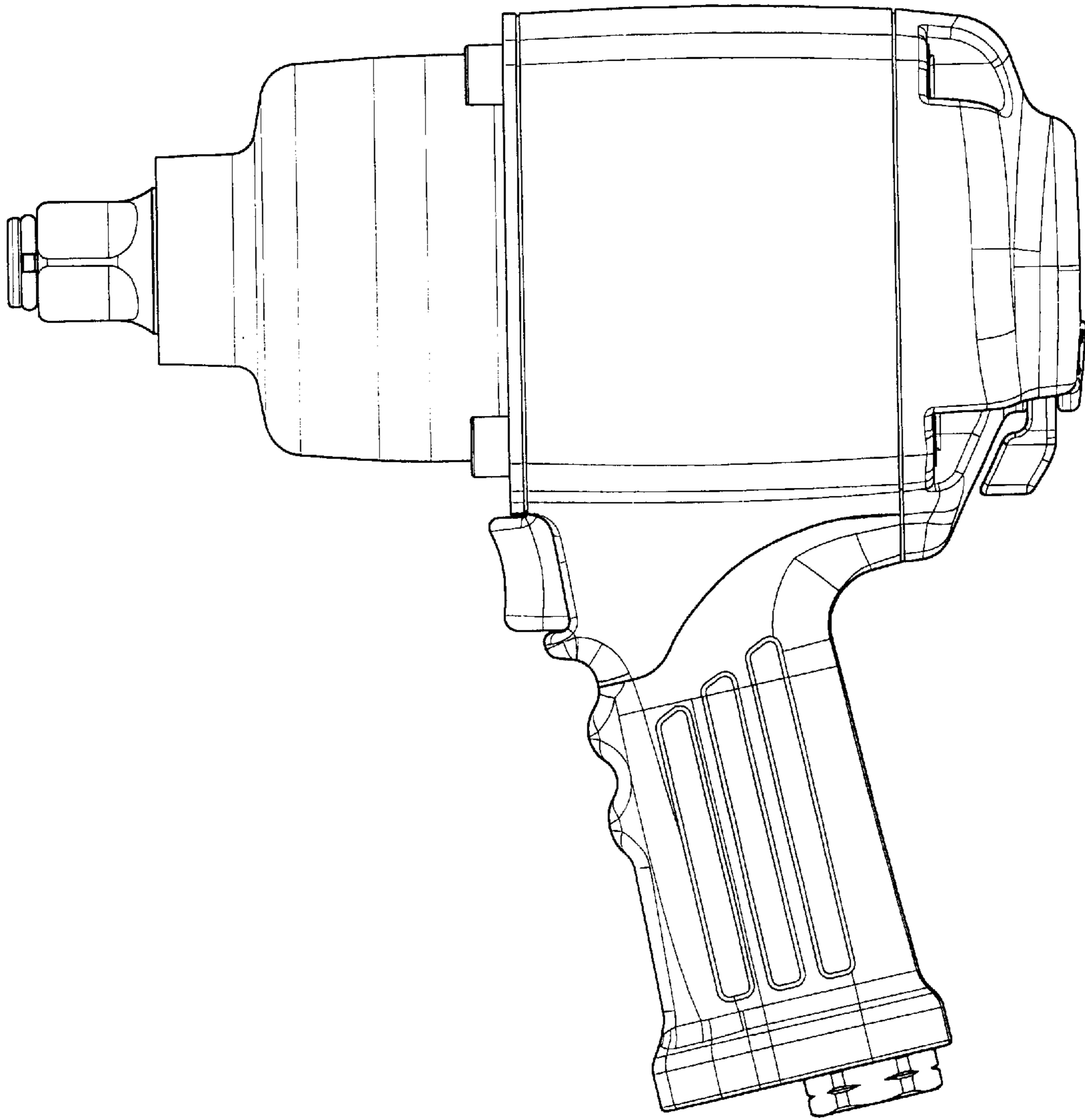
FIG. 7 is a bottom plan view to that shown.

1 Claim, 6 Drawing Sheets

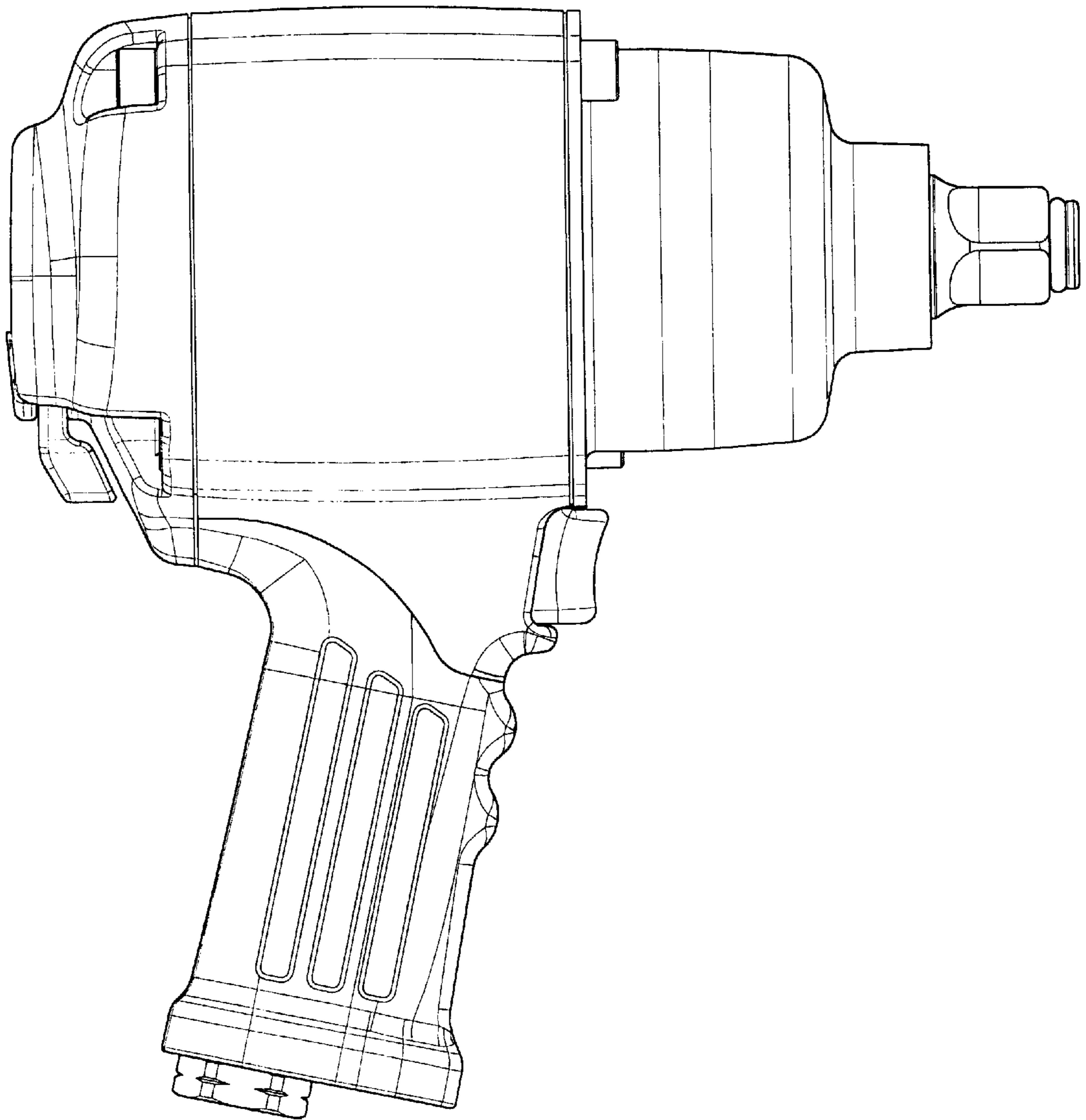




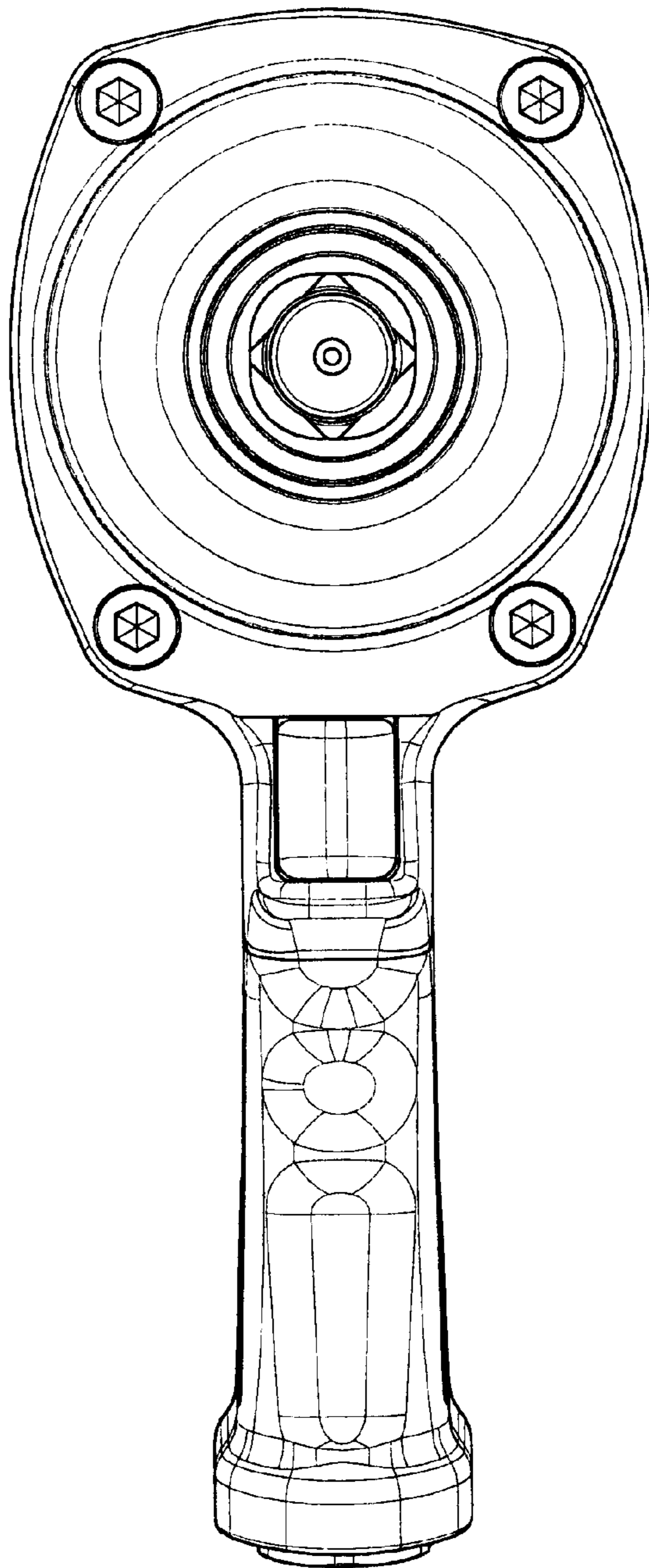
F I G. 1



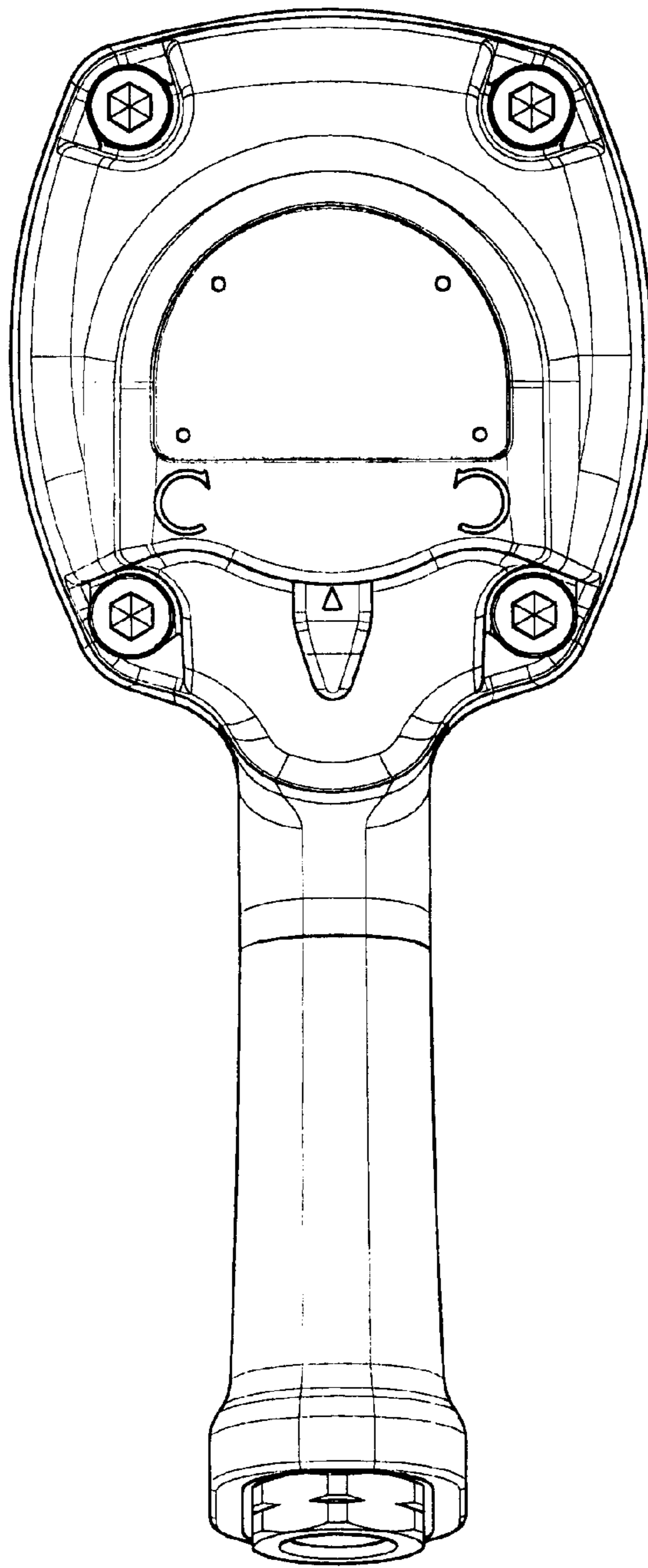
F I G. 2



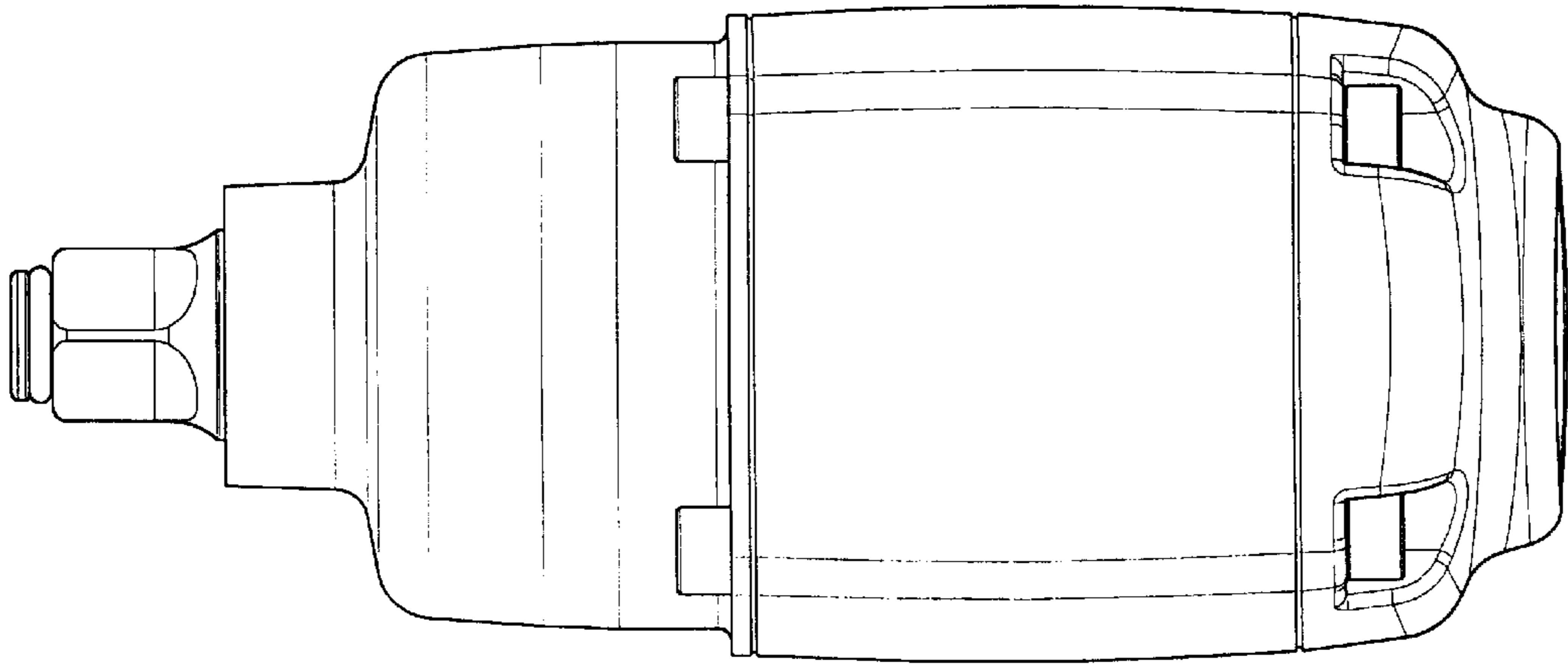
F I G. 3



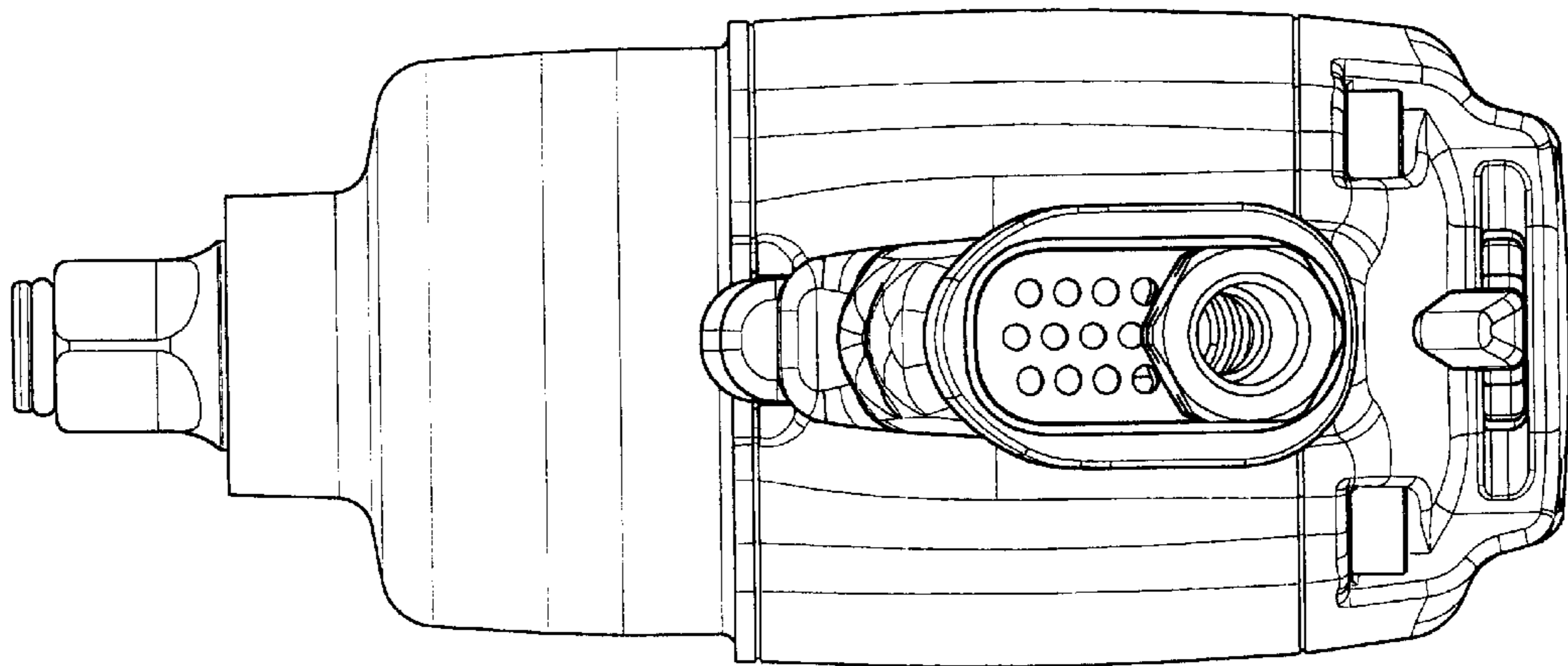
F I G . 4



F I G . 5



F I G. 6



F I G. 7