



US00D477760S

(12) **United States Design Patent**
Chang

(10) **Patent No.:** **US D477,760 S**

(45) **Date of Patent:** **** Jul. 29, 2003**

(54) **PNEUMATIC STAPLER**

(75) **Inventor:** **Li-Hsing Chang, Taichung (TW)**

(73) **Assignee:** **Basso Industry Corp., Taichung (TW)**

(**) **Term:** **14 Years**

(21) **Appl. No.:** **29/170,799**

(22) **Filed:** **Nov. 13, 2002**

(51) **LOC (7) Cl.** **08-05**

(52) **U.S. Cl.** **D8/68; D8/69**

(58) **Field of Search** **D8/61, 62, 63,**
D8/64, 65, 66, 67, 68, 69, 70; 81/57.11,
429, 464, 465, 466, 469, 489; 173/13, 169,
178, 213, 217; 227/8, 114, 120, 130, 136,
142; 310/50; 408/20, 124, 125, 234, 241 R;
451/358

(56) **References Cited**

U.S. PATENT DOCUMENTS

- D316,022 S * 4/1991 Moraht D8/69
- D338,818 S * 8/1993 Katsuba D8/69
- 5,564,614 A * 10/1996 Yang 227/142
- 5,720,422 A * 2/1998 Ichikawa et al. 227/120

- D410,182 S * 5/1999 Etter et al. D8/69
- 6,036,072 A * 3/2000 Lee 227/120
- D435,769 S * 1/2001 Etter et al. D8/68
- 6,296,167 B1 * 10/2001 Jen 227/120
- D459,184 S * 6/2002 Buck D8/69
- D462,884 S * 9/2002 Oh D8/69

* cited by examiner

Primary Examiner—Doris V. Coles
Assistant Examiner—T. Chase Nelson
(74) *Attorney, Agent, or Firm*—Charles E. Baxley

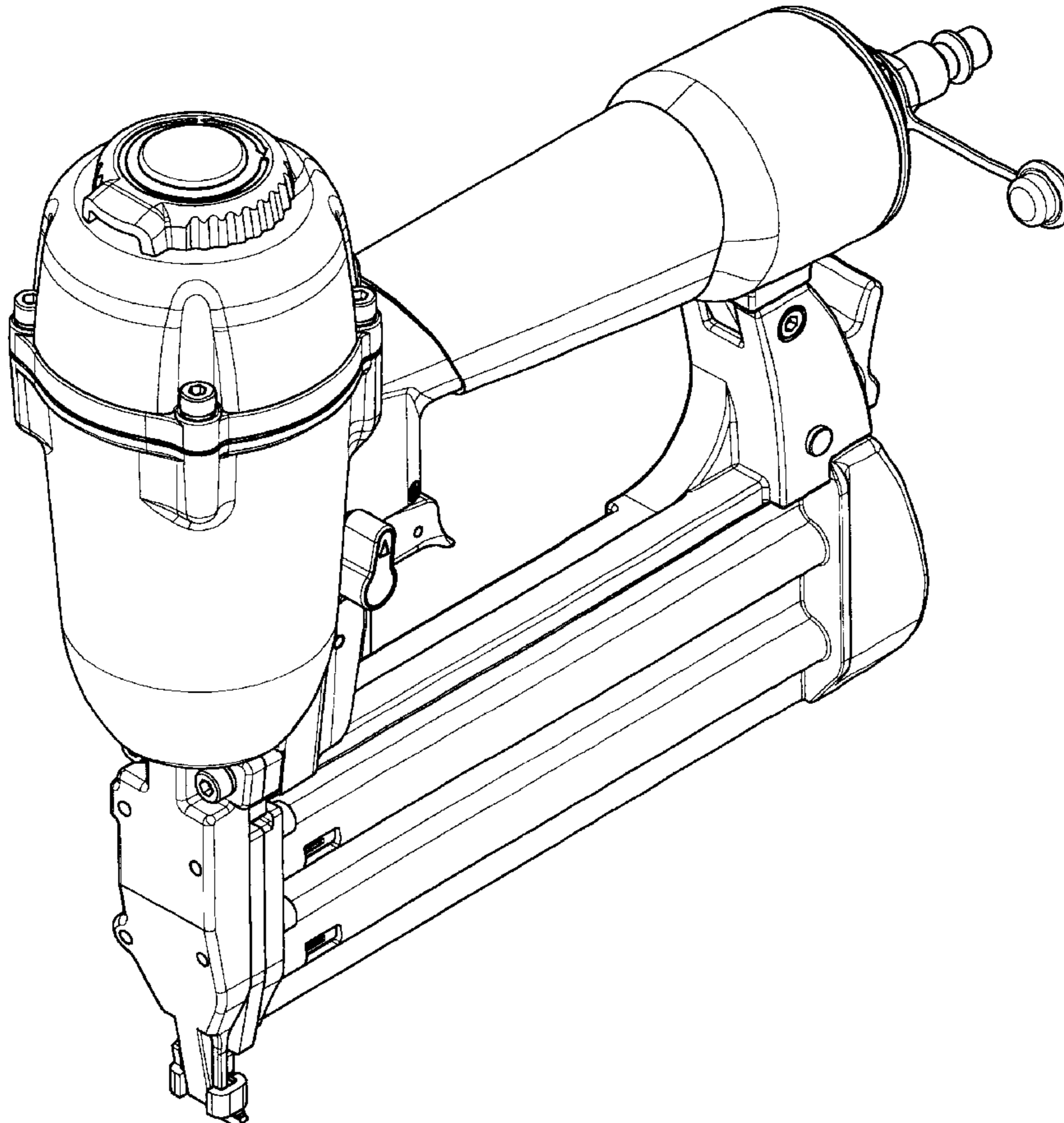
(57) **CLAIM**

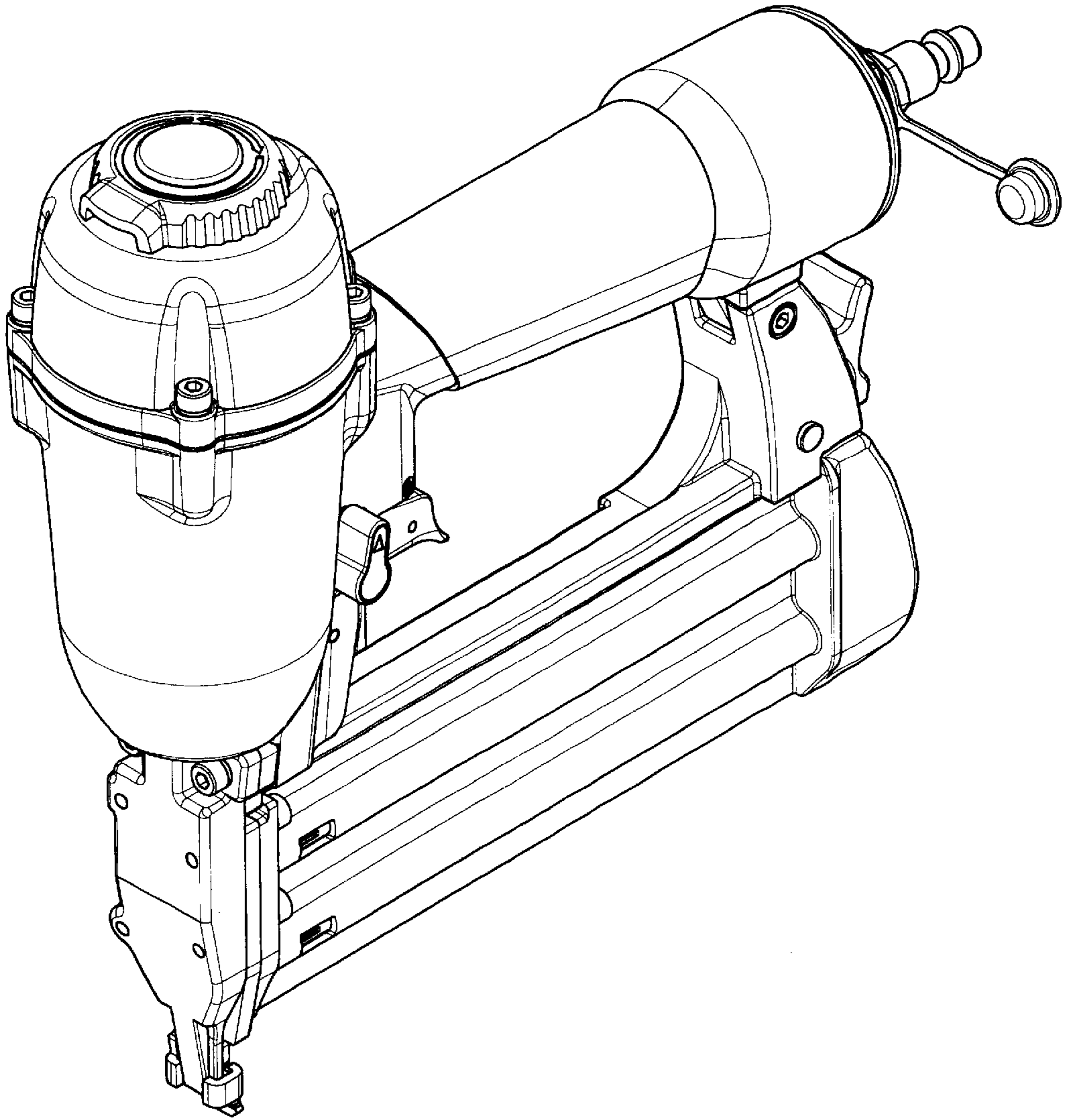
The ornamental design for a pneumatic stapler, as shown and described.

DESCRIPTION

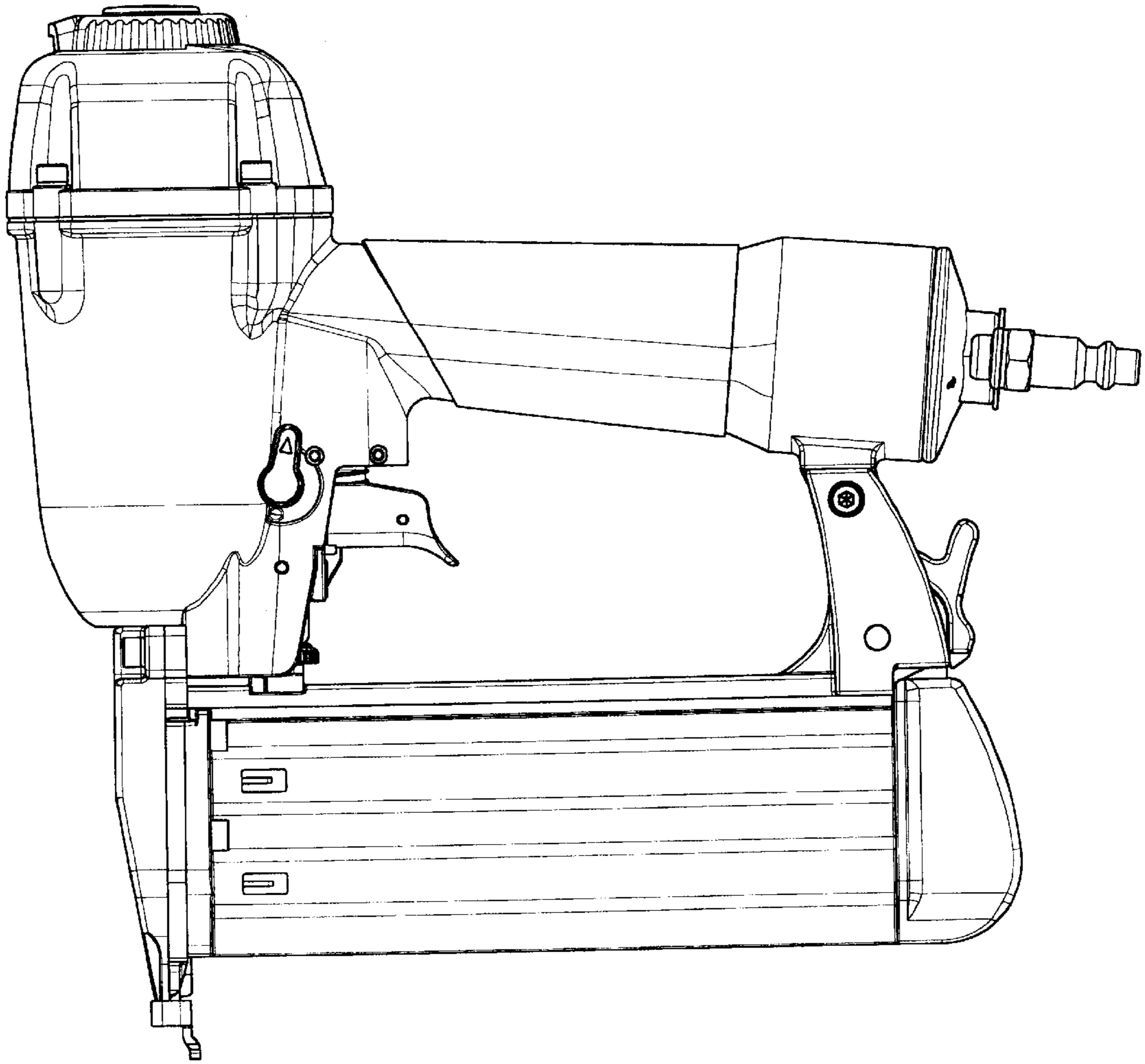
FIG. 1 is a perspective view of a pneumatic stapler showing my new design;
FIG. 2 is a front elevational view thereof;
FIG. 3 is a rear elevational view thereof,
FIG. 4 is a left side elevational view thereof,
FIG. 5 is a right side elevational view thereof,
FIG. 6 is a top plan view thereof; and,
FIG. 7 is a bottom plan view to that shown.

1 Claim, 6 Drawing Sheets

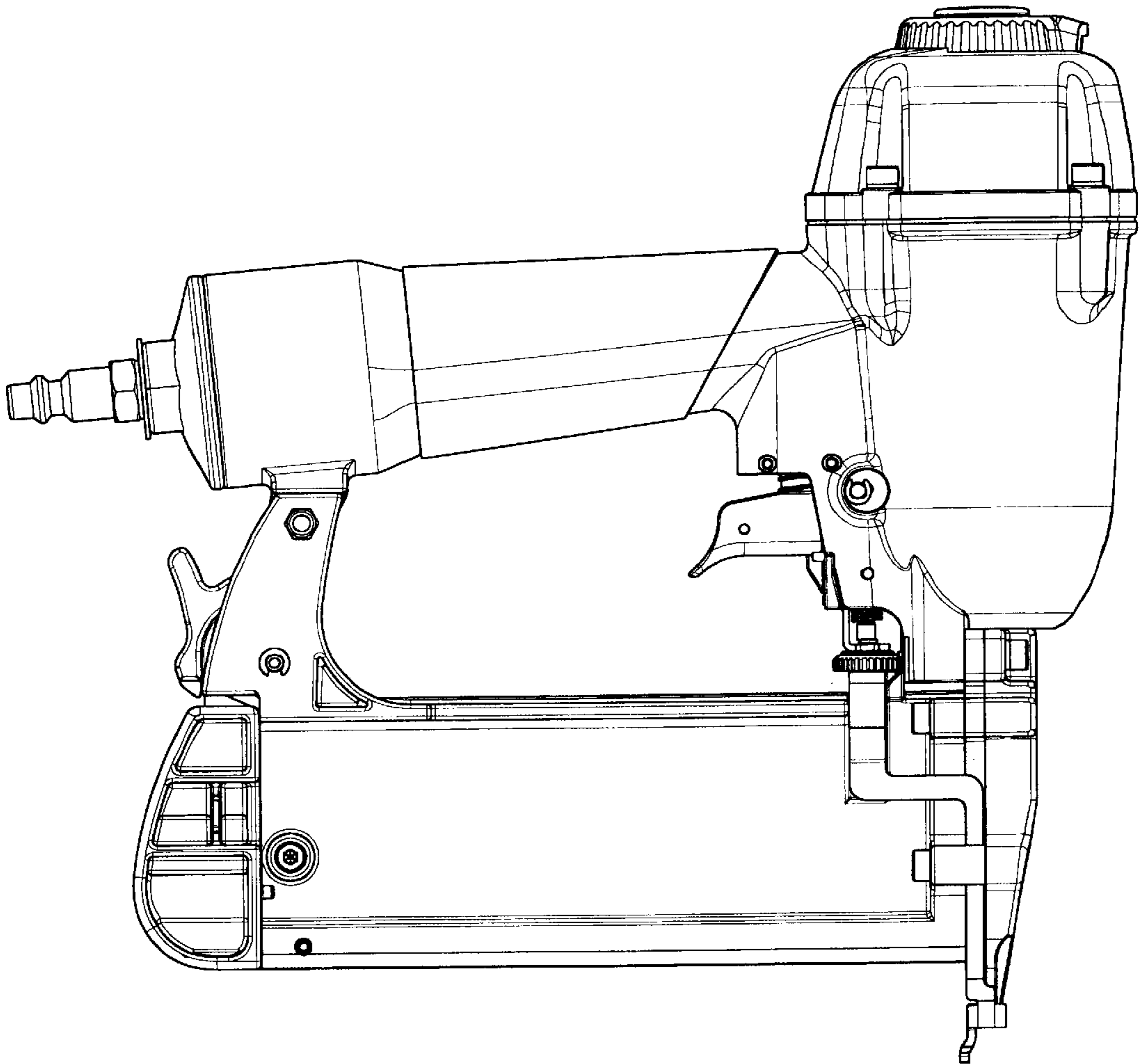




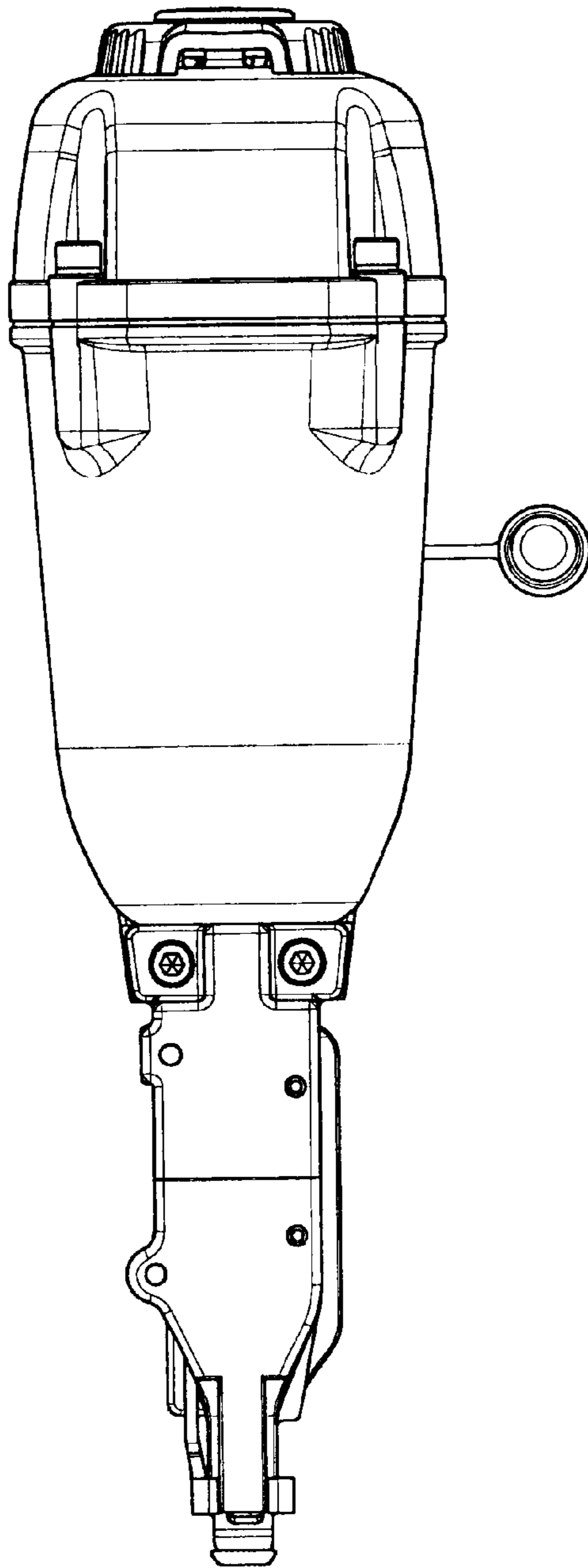
F I G. 1



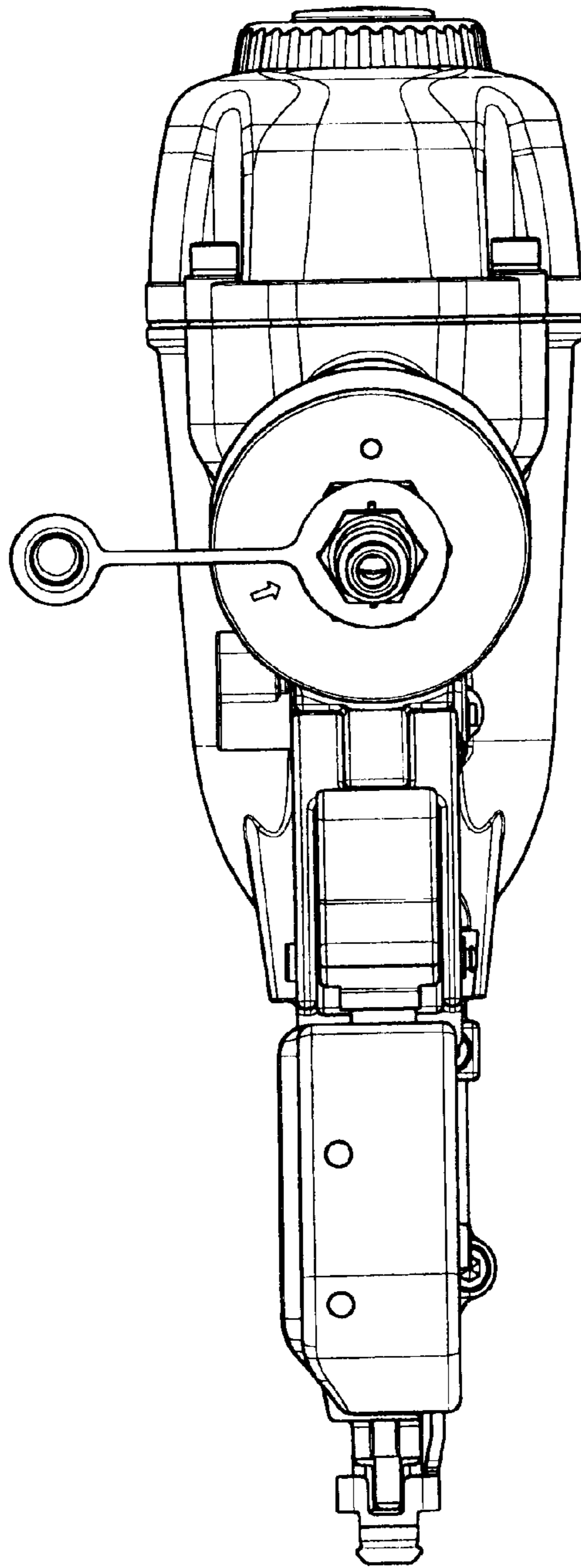
F I G. 2



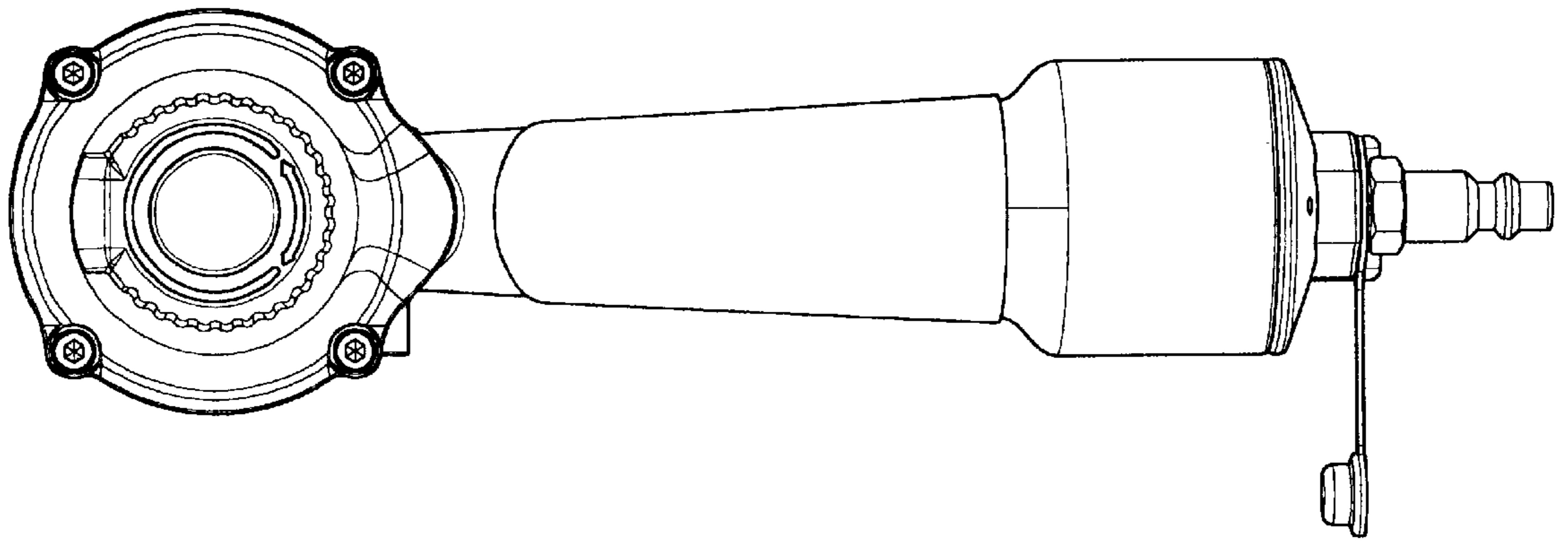
F I G. 3



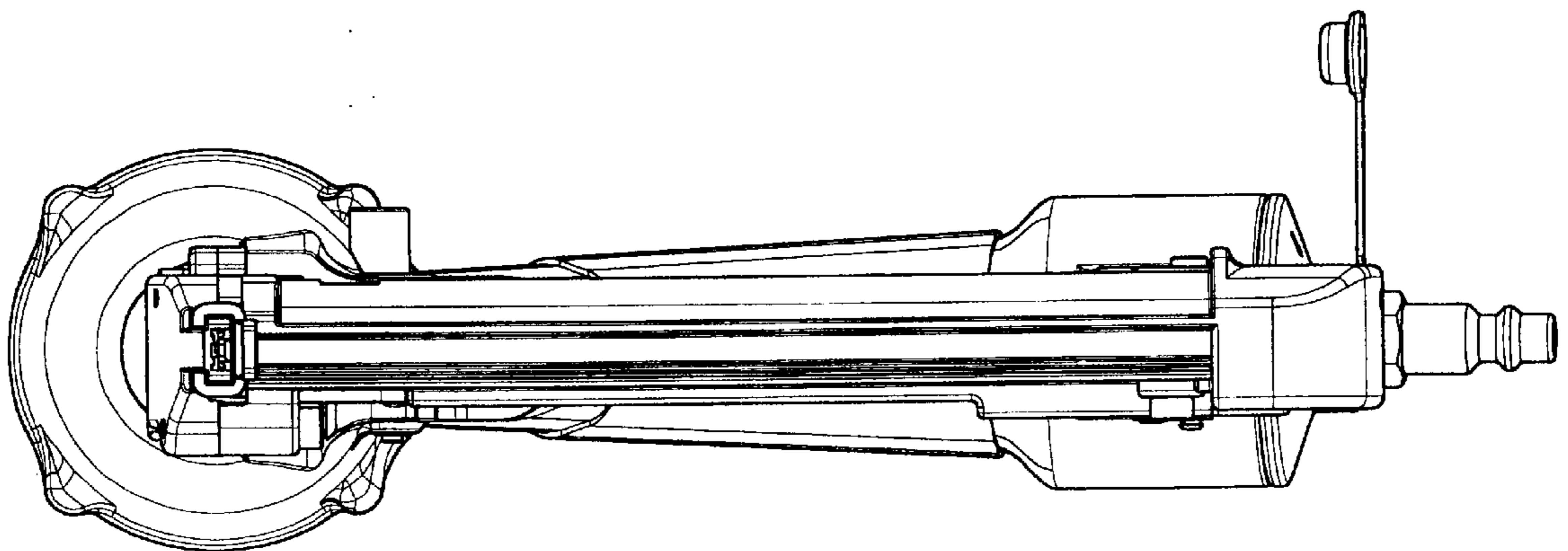
F I G. 4



F I G. 5



F I G. 6



F I G. 7