



US00D477757S

(12) **United States Design Patent**
Yu

(10) **Patent No.:** **US D477,757 S**

(45) **Date of Patent:** **** Jul. 29, 2003**

(54) **CORKSCREW**

(75) **Inventor:** **Kwok Leung Yu, Kwai Chung (HK)**

(73) **Assignee:** **Ko Fung Products Industrial Limited,**
New Territories (HK)

(**) **Term:** **14 Years**

(21) **Appl. No.:** **29/175,651**

(22) **Filed:** **Feb. 10, 2003**

(51) **LOC (7) Cl.** **07-06**

(52) **U.S. Cl.** **D8/42**

(58) **Field of Search** **D8/33-43; 7/151-156;**
30/400-450; 81/3.07-3.49

(56) **References Cited**

U.S. PATENT DOCUMENTS

D445,008 S * 7/2001 Andina et al. D8/42

D463,236 S * 9/2002 Mauffette D8/42

D466,772 S * 12/2002 Mauffette D8/42

* cited by examiner

Primary Examiner—Caron D. Veynar

(74) *Attorney, Agent, or Firm*—Rabin & Berdo, P.C.

(57) **CLAIM**

The ornamental design for a corkscrew, as shown and described.

DESCRIPTION

FIG. 1 is a front view of a corkscrew showing my new design;

FIG. 2 is a rear view thereof;

FIG. 3 is a left side view thereof;

FIG. 4 is a right side view thereof;

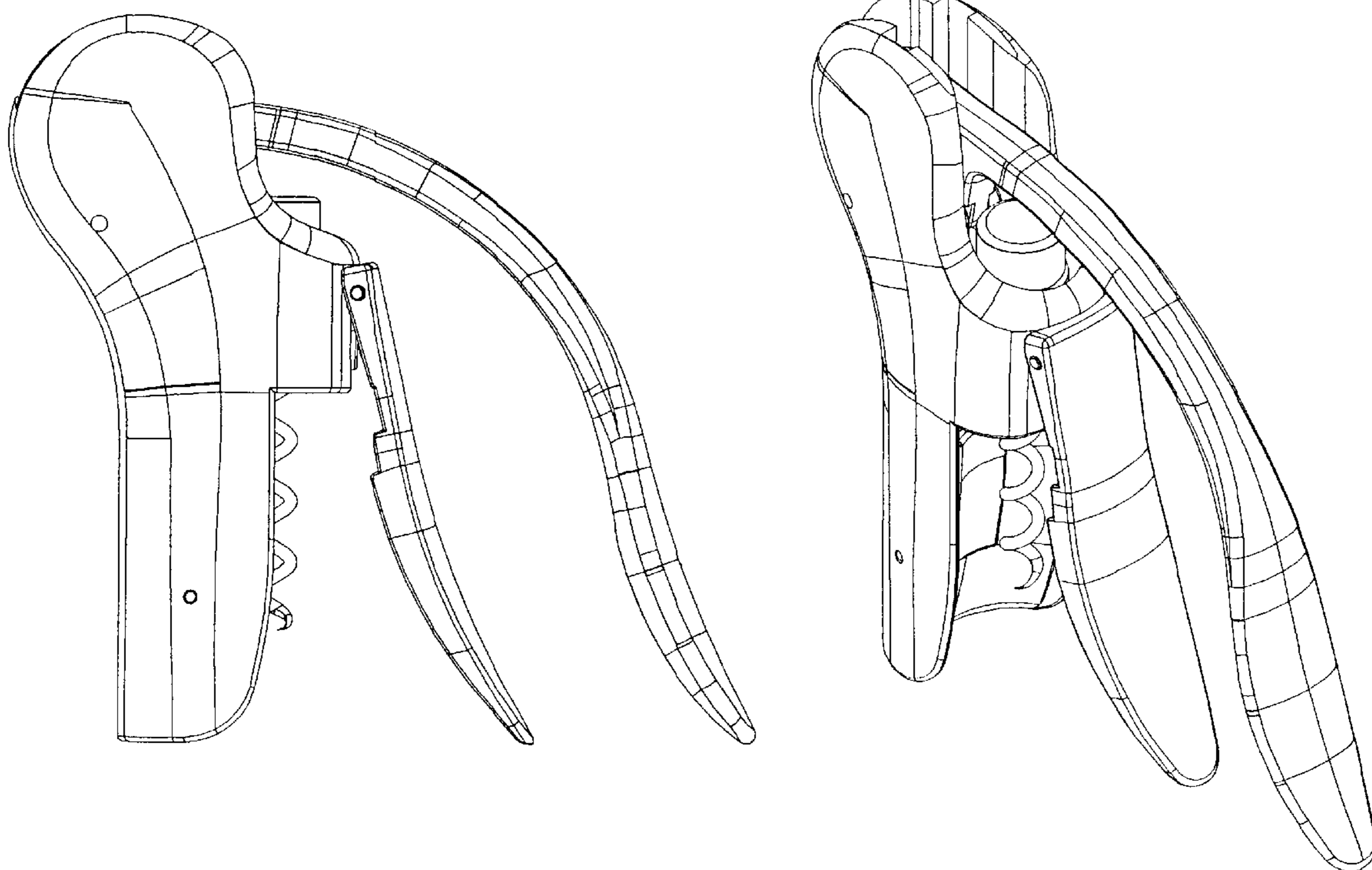
FIG. 5 is a bottom view thereof;

FIG. 6 is a top view thereof;

FIG. 7 is a perspective view thereof; and,

FIG. 8 is a front perspective view with parts in alternative position.

1 Claim, 7 Drawing Sheets



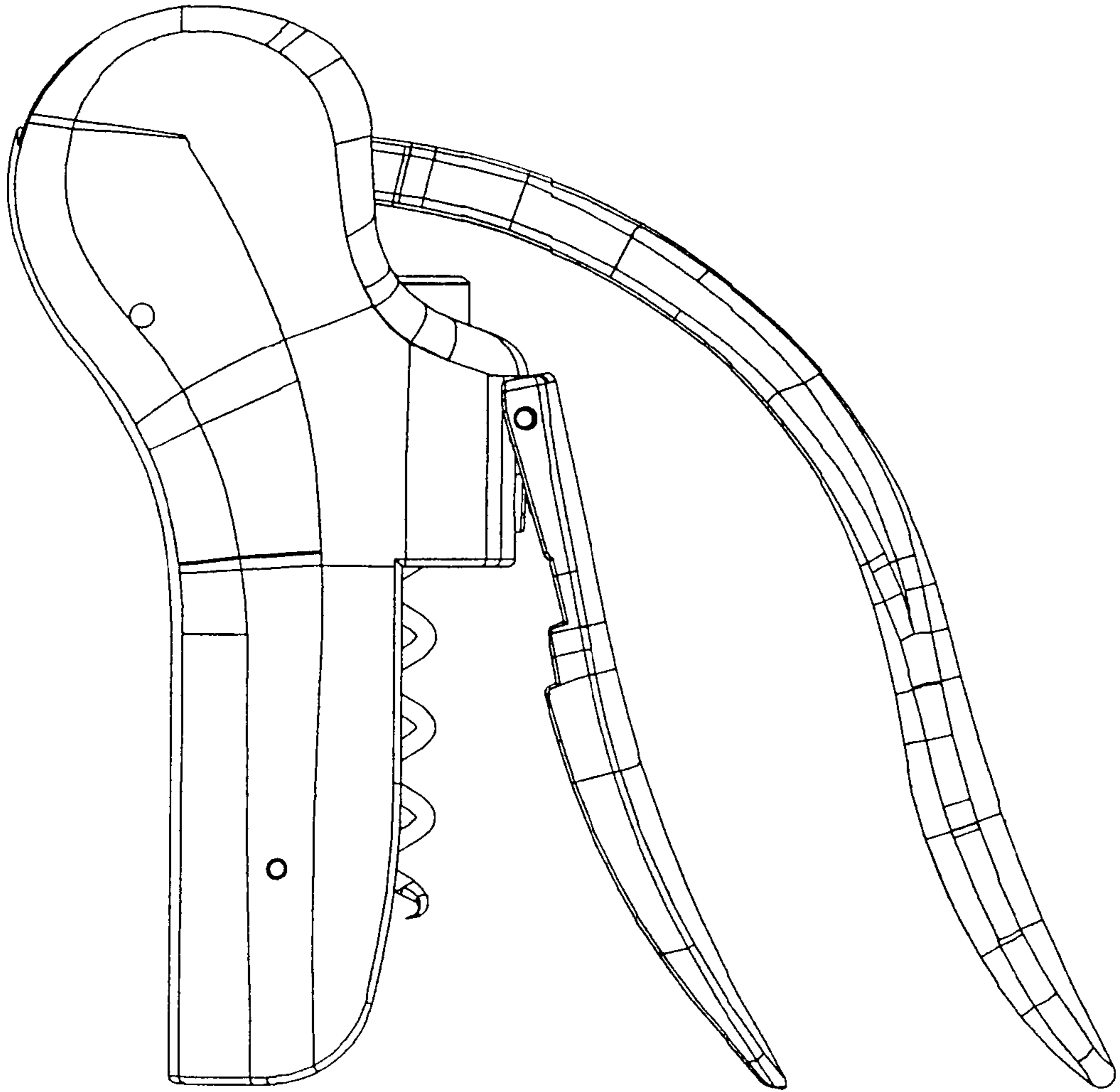


FIG. 1

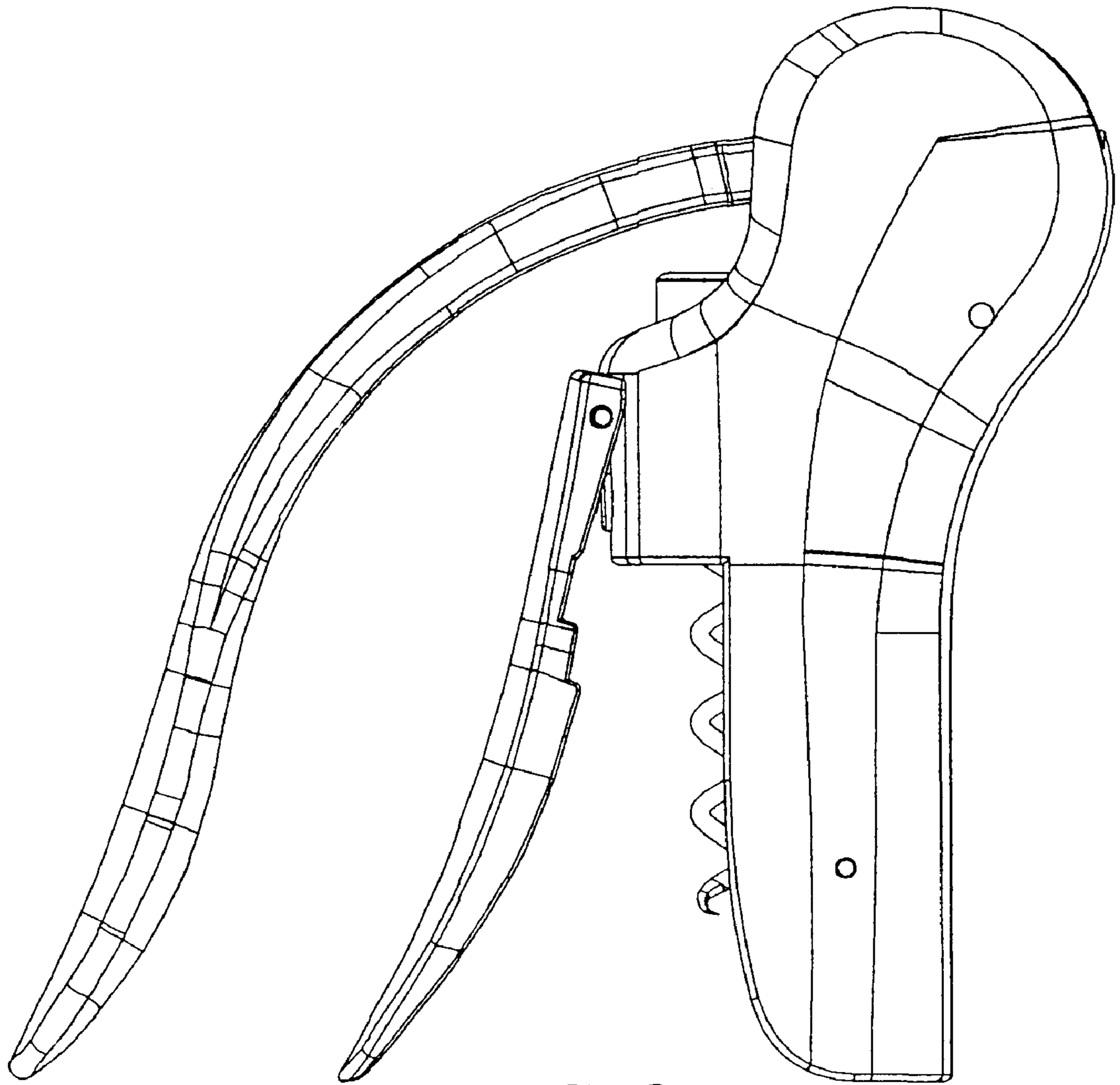


FIG. 2

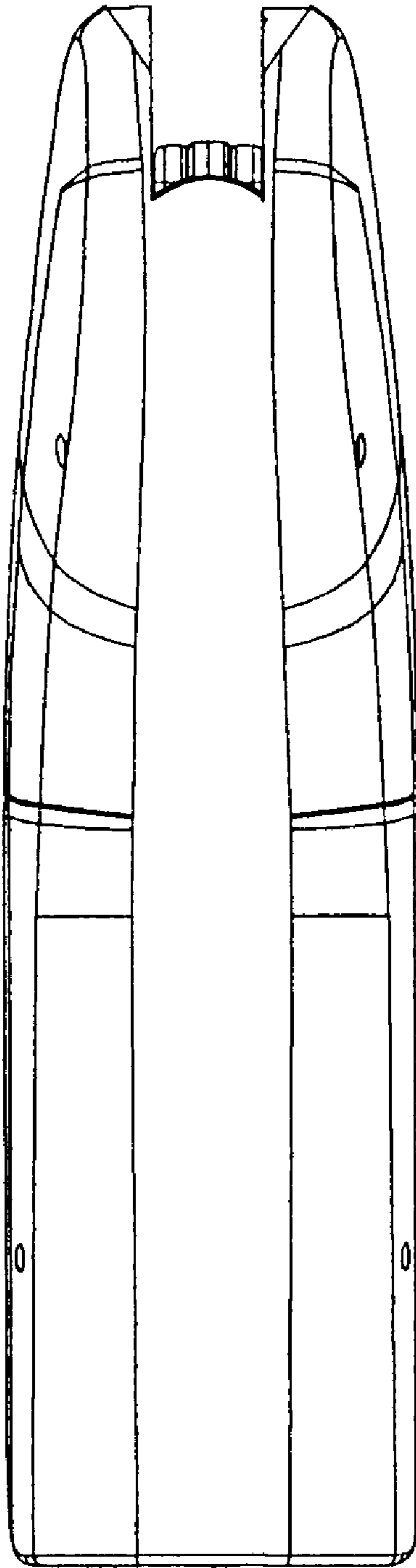


FIG. 3

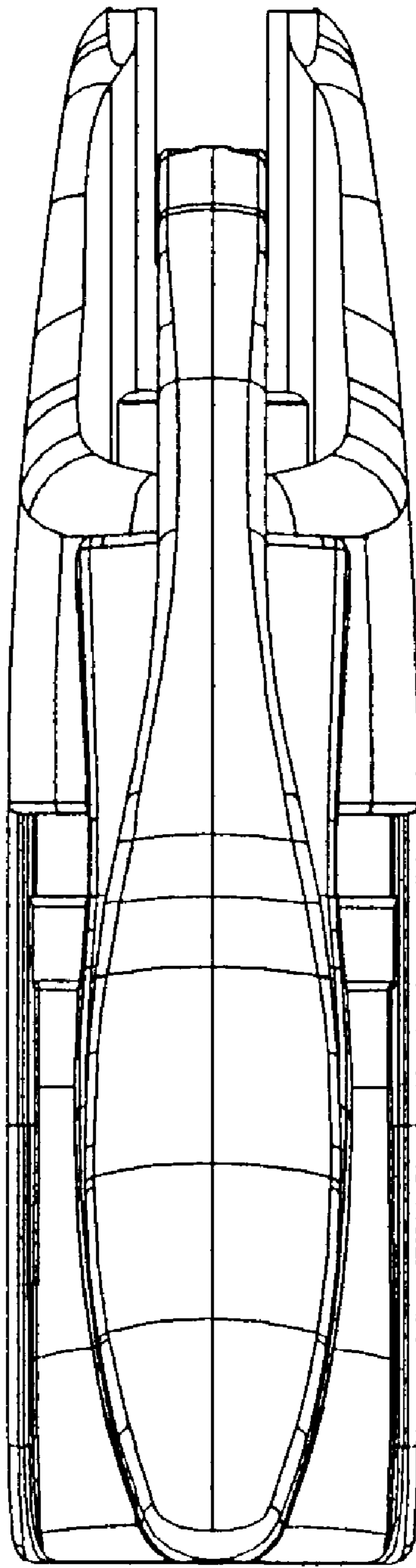


FIG. 4

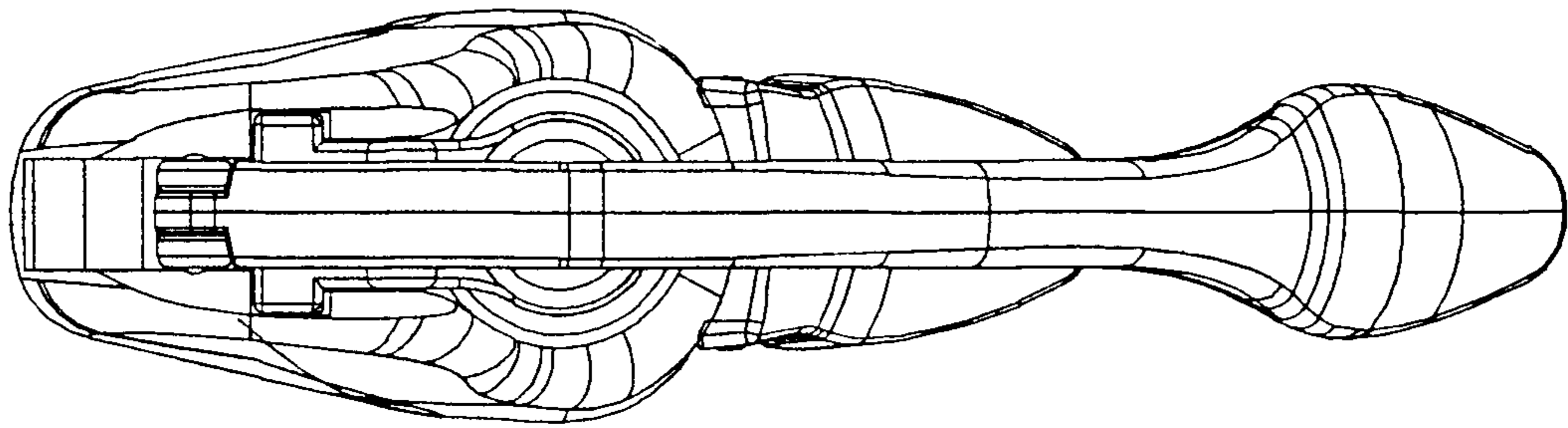


FIG. 6

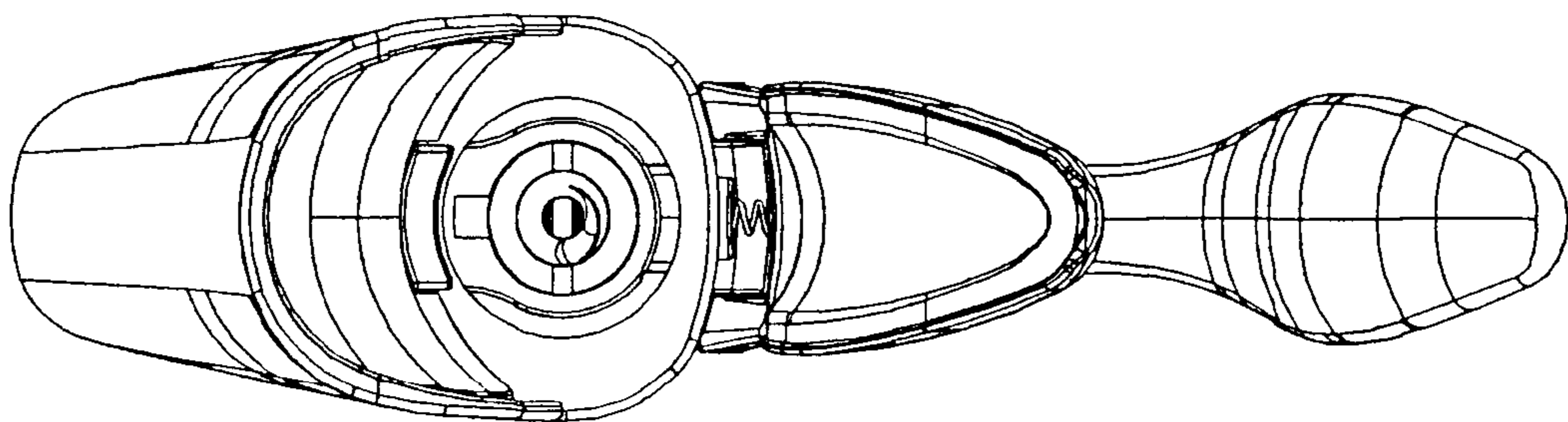


FIG. 5

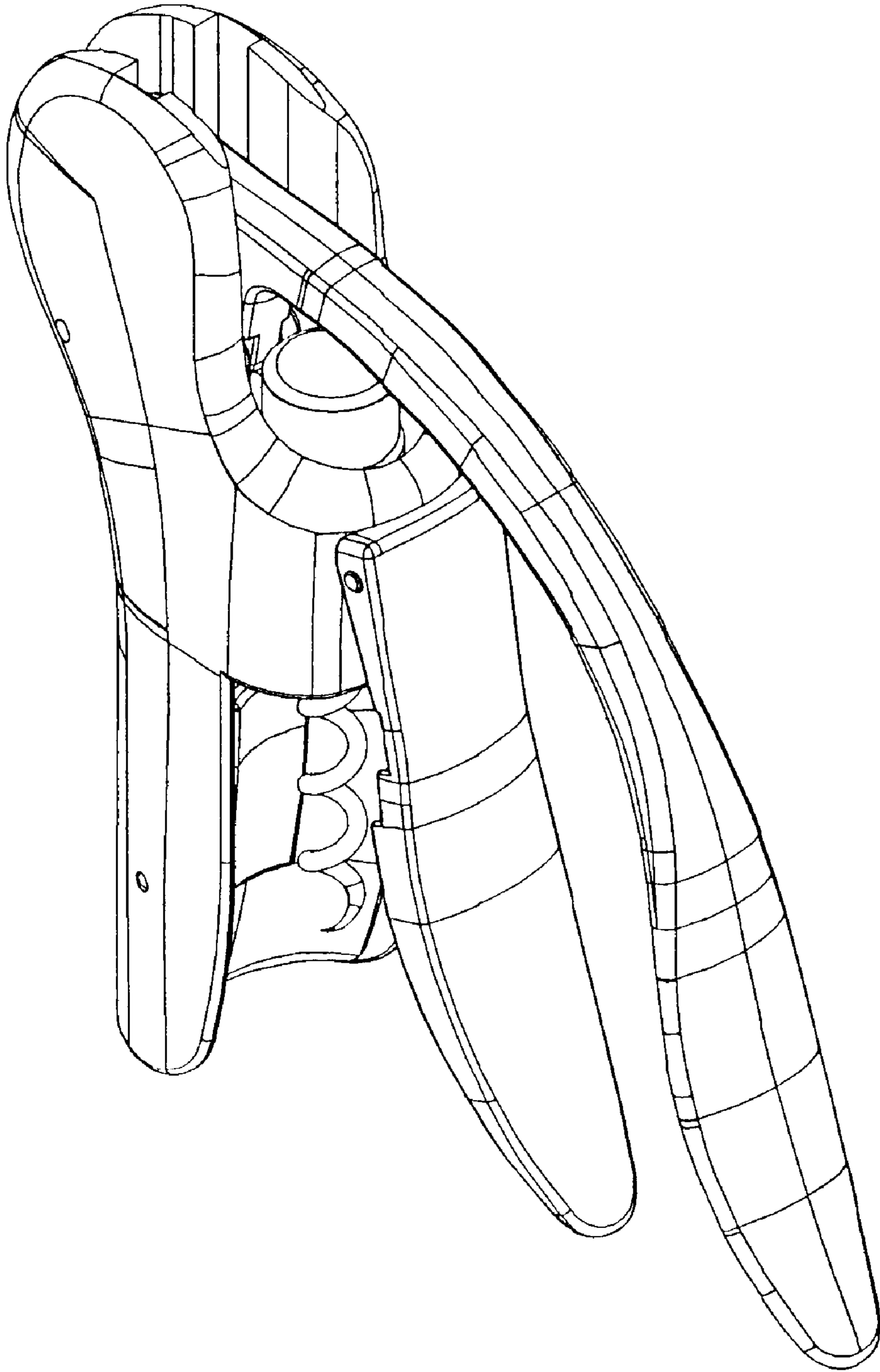


FIG. 7

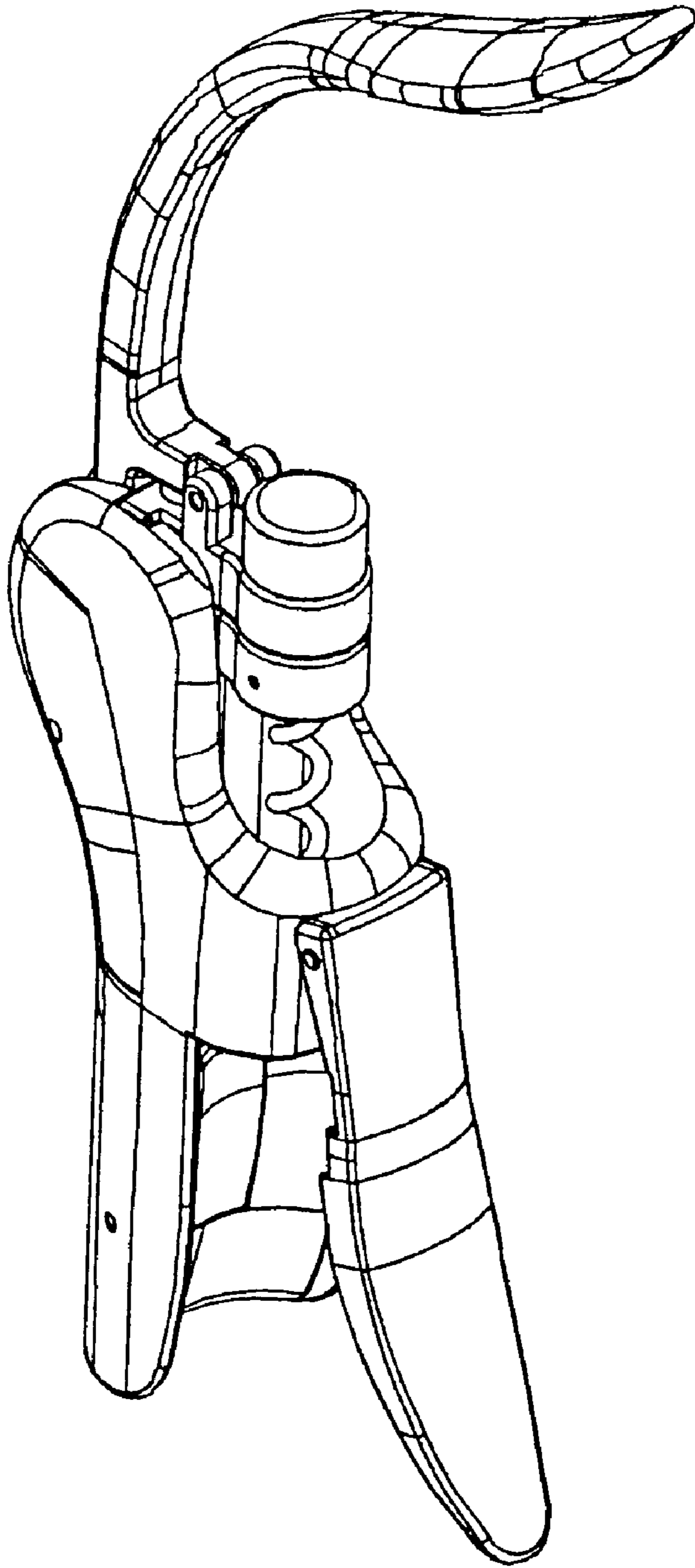


FIG. 8