



US00D477754S

(12) **United States Design Patent**  
**Holcomb et al.**

(10) **Patent No.:** **US D477,754 S**

(45) **Date of Patent:** **\*\* Jul. 29, 2003**

- (54) **HAND-HELD FOOD PROCESSOR**
- (75) Inventors: **David A. Holcomb**, Seattle, WA (US);  
**Joshua R. Stewart**, Seattle, WA (US)
- (73) Assignee: **Chef'N Corporation**, Seattle, WA (US)
- (\*\*) Term: **14 Years**
- (21) Appl. No.: **29/174,497**
- (22) Filed: **Jan. 17, 2003**

5,307,738 A	5/1994	Amstad	99/625
5,360,170 A	11/1994	Cartellone	241/169.1
5,435,237 A	7/1995	Huang	99/492
5,562,256 A	10/1996	Wolman et al.	241/169.1
5,735,193 A	4/1998	Chang	99/494
5,782,416 A	7/1998	Nejatbina	241/194
D396,992 S	8/1998	Lallemand	D7/384
5,823,672 A	10/1998	Barker	366/205
5,839,826 A	11/1998	Eubanks	366/315
5,842,651 A	12/1998	Smothers	241/27
5,960,709 A	10/1999	Yip	99/510
5,996,483 A	12/1999	Yip	99/628
6,035,771 A	3/2000	Conran et al.	99/510
D434,597 S	12/2000	Yip	D7/384

**Related U.S. Application Data**

- (62) Division of application No. 09/839,027, filed on Apr. 19, 2001.
- (51) **LOC (7) Cl.** ..... **07-04**
- (52) **U.S. Cl.** ..... **D7/693**
- (58) **Field of Search** ..... D7/693, 376, 378,  
D7/381, 384, 412-414, 678; 241/92, 93,  
95, 100, 168, 169.1, 273.1-273.4; 366/64,  
65, 67, 96, 242, 244, 247, 279, 343, 347

(56) **References Cited**

**U.S. PATENT DOCUMENTS**

2,347,383 A	4/1944	Wiegratz	146/177
2,407,819 A	9/1946	Dolan	146/50
2,592,481 A	4/1952	Spencer et al.	92/22
D183,384 S	8/1958	de Mille	
3,139,917 A	7/1964	Elmore	146/68
3,156,278 A	11/1964	Otto	146/67
3,729,096 A *	4/1973	Fitzner et al.	241/168
4,007,751 A	2/1977	Commiant	134/140
4,101,978 A	7/1978	Brackman	366/314
4,264,215 A	4/1981	Nunlist et al.	366/279
4,386,740 A *	6/1983	Van Deursen	241/93
4,768,429 A	9/1988	Federighi	99/631
D315,657 S	3/1991	Ruttimann	D7/412

**FOREIGN PATENT DOCUMENTS**

FR 1012262 7/1952

\* cited by examiner

*Primary Examiner*—Terry A. Wallace

(74) *Attorney, Agent, or Firm*—Seed IP Law Group PLLC

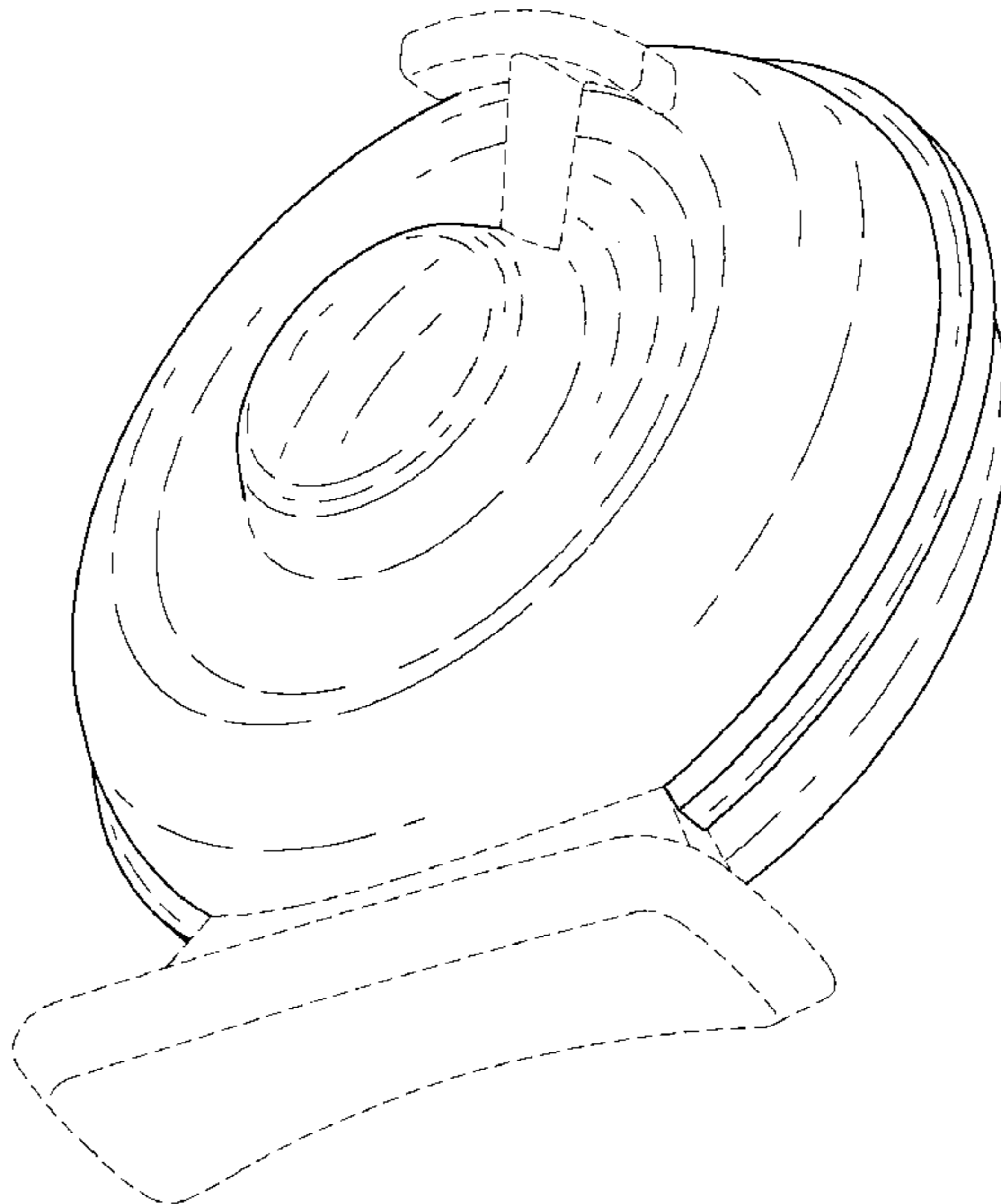
(57) **CLAIM**

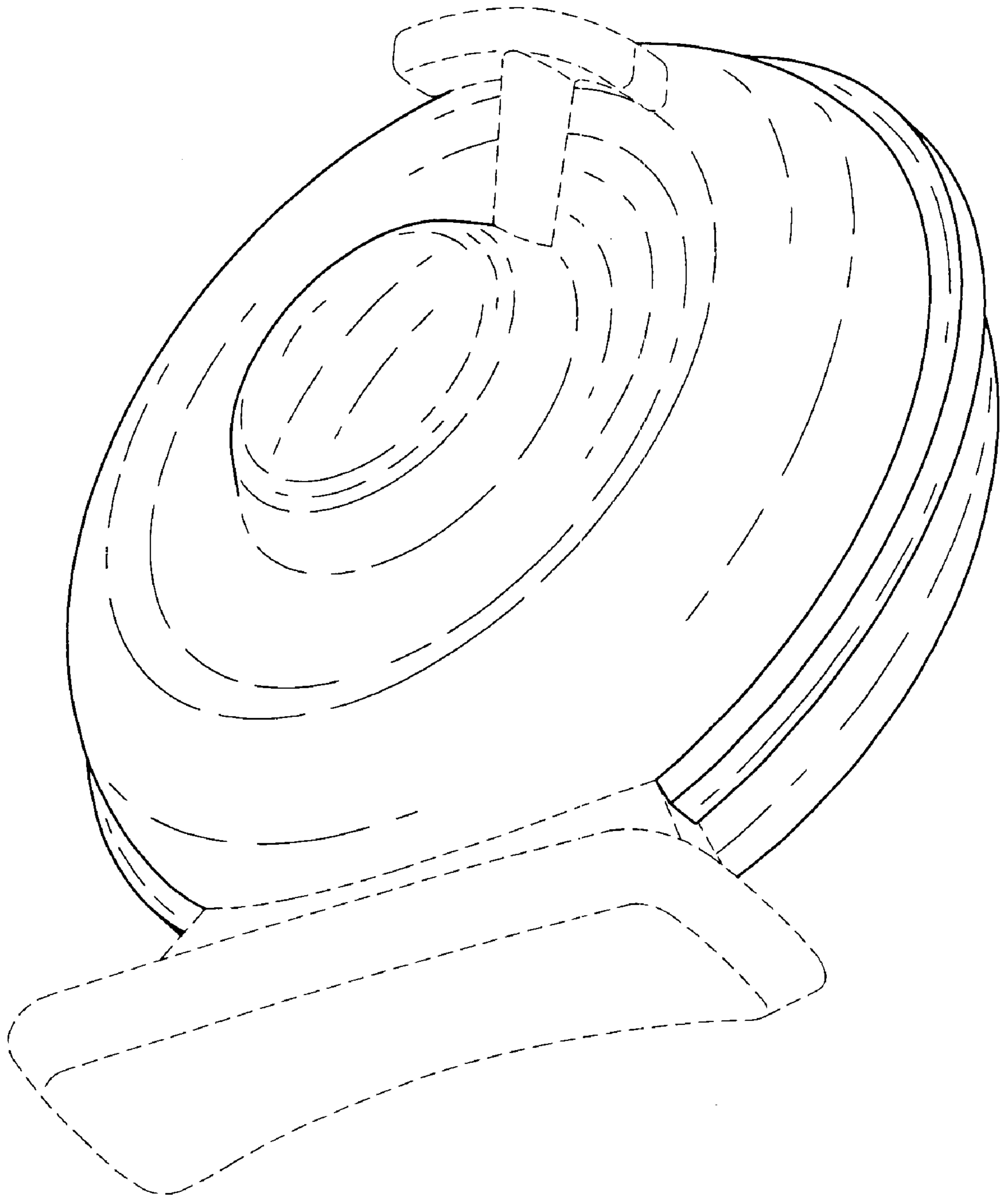
The ornamental design for a hand-held food processor, as shown and described.

**DESCRIPTION**

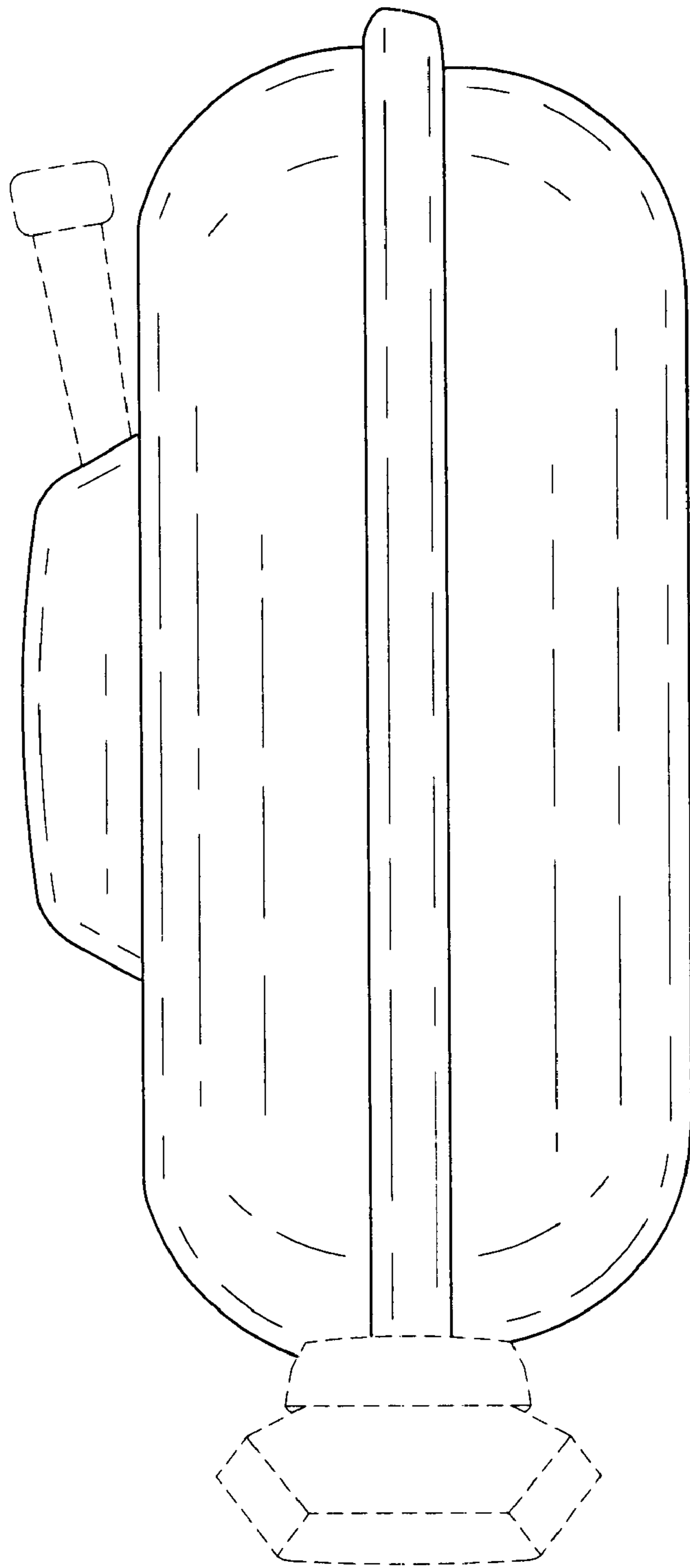
FIG. 1 is a top perspective view of a hand-held food processor according to the present invention;  
 FIG. 2 is a side view of the hand-held food processor of FIG. 1; and,  
 FIG. 3 is a bottom perspective view of the hand-held food processor of FIG. 1.  
 The broken lines in the Figures are not part of the claimed invention, but are merely incorporated to illustrate the environment and application of the invention.

**1 Claim, 3 Drawing Sheets**

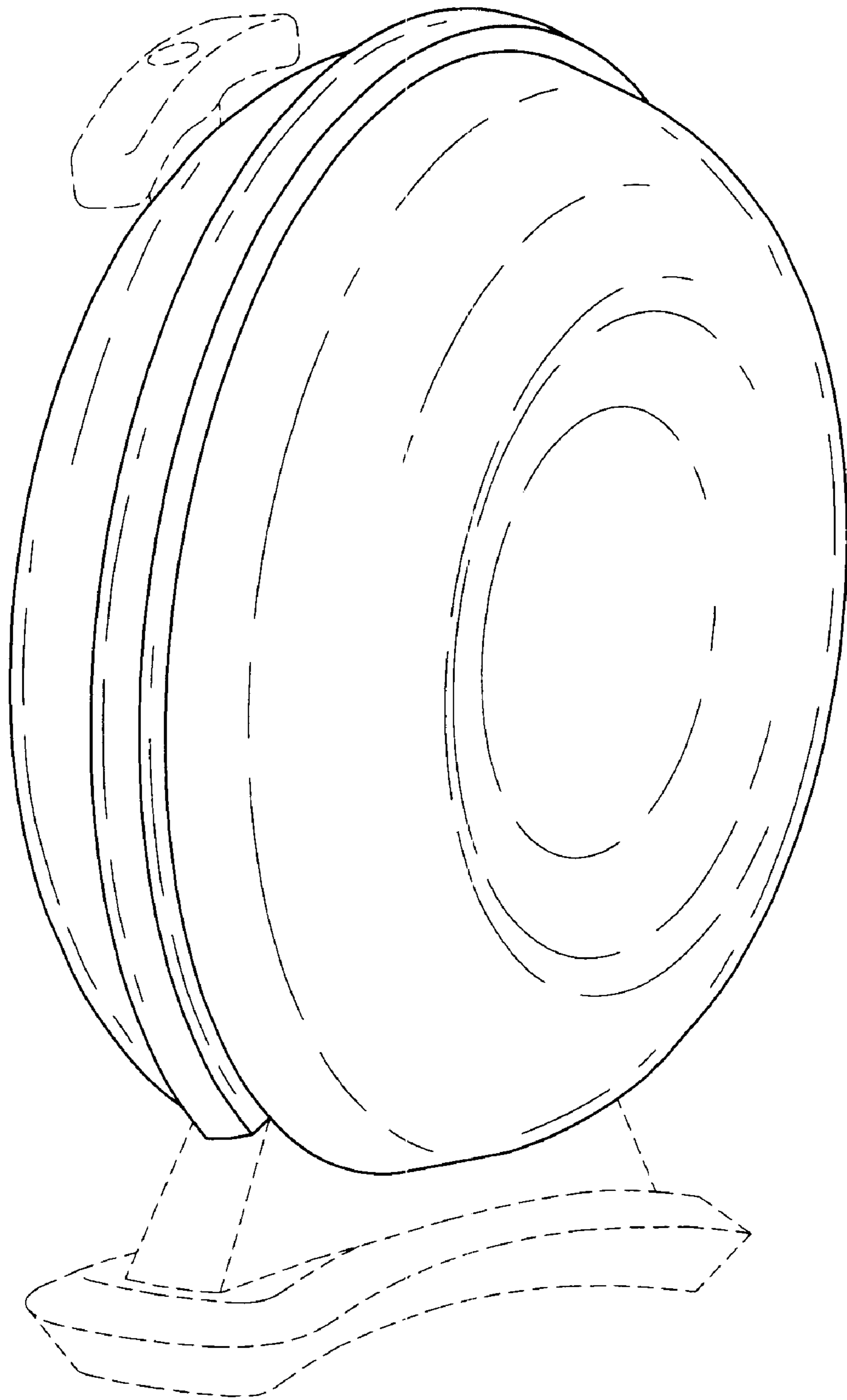




*Fig. 1*



*Fig. 2*



*Fig. 3*