



US00D477752S

(12) **United States Design Patent**  
**Slater et al.**

(10) **Patent No.:** **US D477,752 S**

(45) **Date of Patent:** **\*\* Jul. 29, 2003**

(54) **INSULATED FOOD CONTAINER**

D370,300 S \* 5/1996 Gottvald et al. .... D7/603 X

(75) Inventors: **Owen A. Slater**, Chicago, IL (US);  
**Martha Harvey**, Chicago, IL (US)

\* cited by examiner

(73) Assignee: **Thermos L.L.C.**, Rolling Meadows, IL (US)

*Primary Examiner*—Terry A. Wallace  
(74) *Attorney, Agent, or Firm*—Wood, Phillips, Katz, Clark & Mortimer

(\*\*) Term: **14 Years**

(57) **CLAIM**

(21) Appl. No.: **29/160,719**

The ornamental design of a insulated food container, as shown and described.

(22) Filed: **May 15, 2002**

**DESCRIPTION**

(51) **LOC (7) Cl.** ..... **07-07**

(52) **U.S. Cl.** ..... **D7/608; D7/615**

(58) **Field of Search** ..... D7/605–608, 612–615,  
D7/629, 538–542, 603, 604; 62/371, 372,  
457.1, 457.4, 457.7, 457.8; 220/737, 739,  
915.1, 915.2, 780–795, 796–806, 376; D9/500–503,  
428

FIG. 1 is a perspective view from above of our insulated food container design;

FIG. 2 is a perspective view from below of our insulated food container design and taken diametrically opposite from the view of FIG. 1;

FIG. 3 is a side elevation of our insulated food container design depicting it as it would appear at any angle about it; FIG. 4 is a plan view of our insulated food container design; and,

FIG. 5 is a bottom view of our insulated food container design.

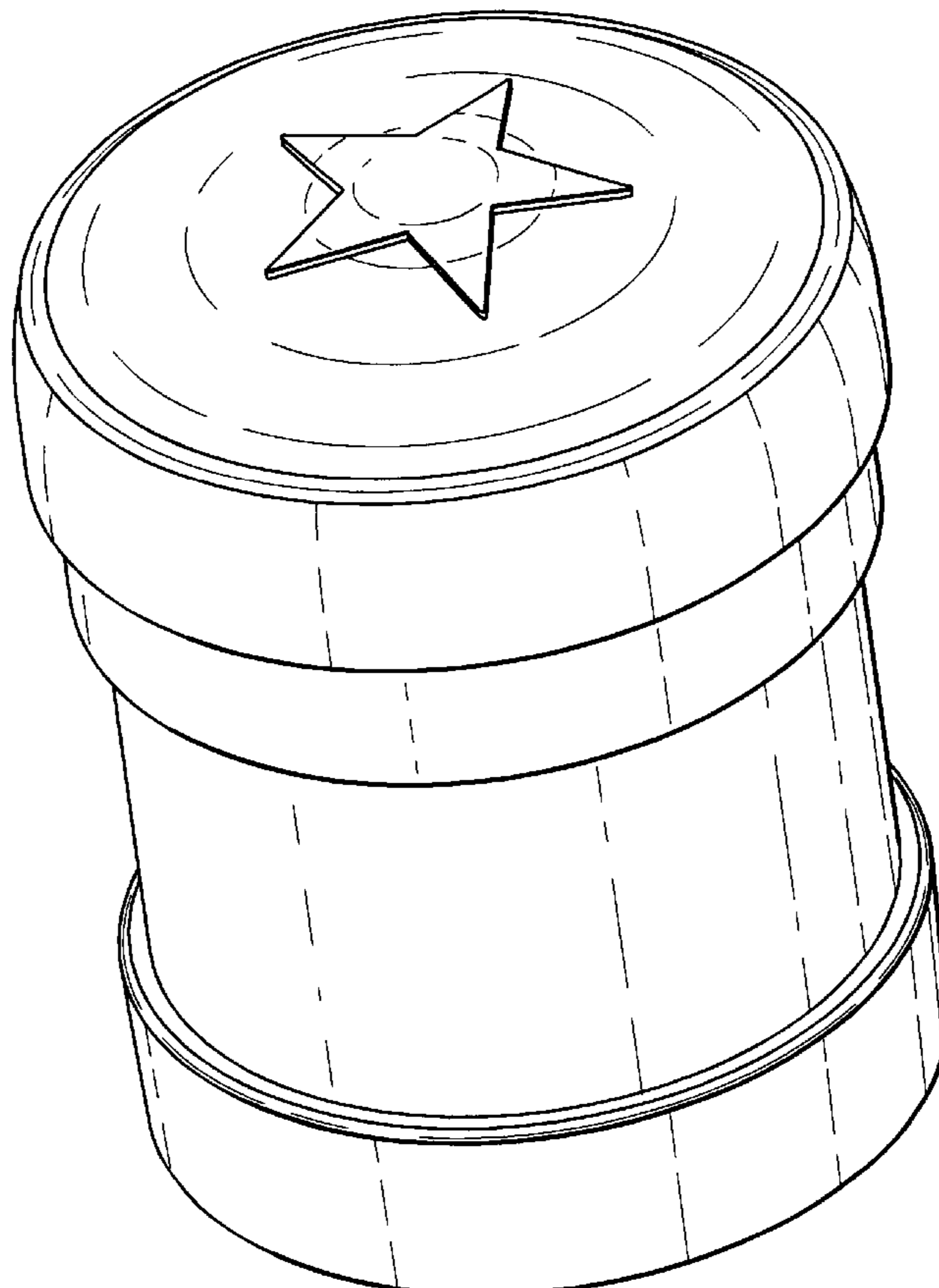
The broken lines are for illustrative purposes only and form no part of the claimed design.

(56) **References Cited**

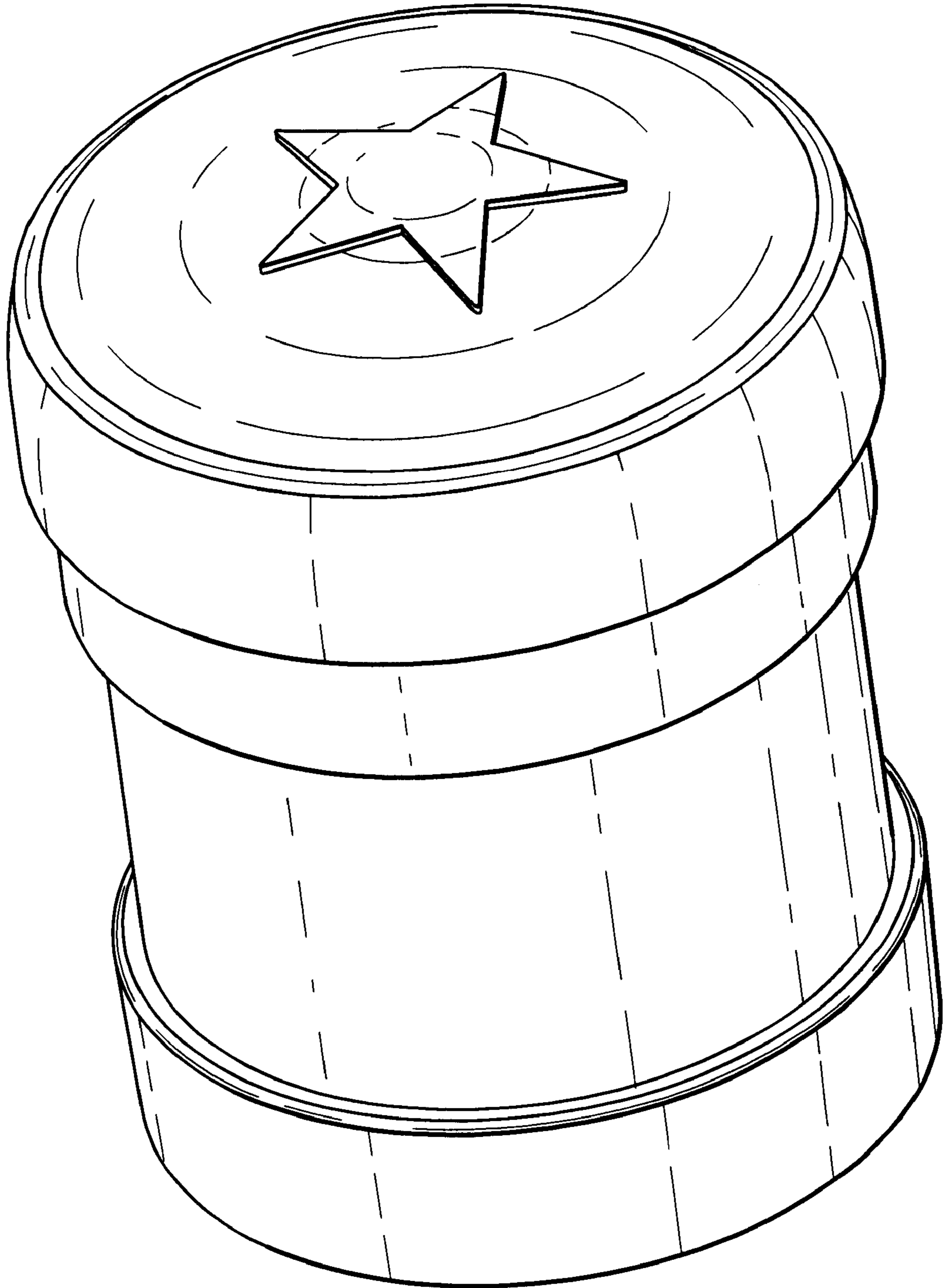
**U.S. PATENT DOCUMENTS**

- 585,259 A \* 6/1897 Danz, II ..... 206/546
- D261,088 S \* 10/1981 Akimov et al. .... D7/608
- 4,537,044 A \* 8/1985 Putnam ..... 62/371
- D305,850 S \* 2/1990 Peterson et al. .... D7/608
- D369,723 S \* 5/1996 McArthur et al. .... D7/608

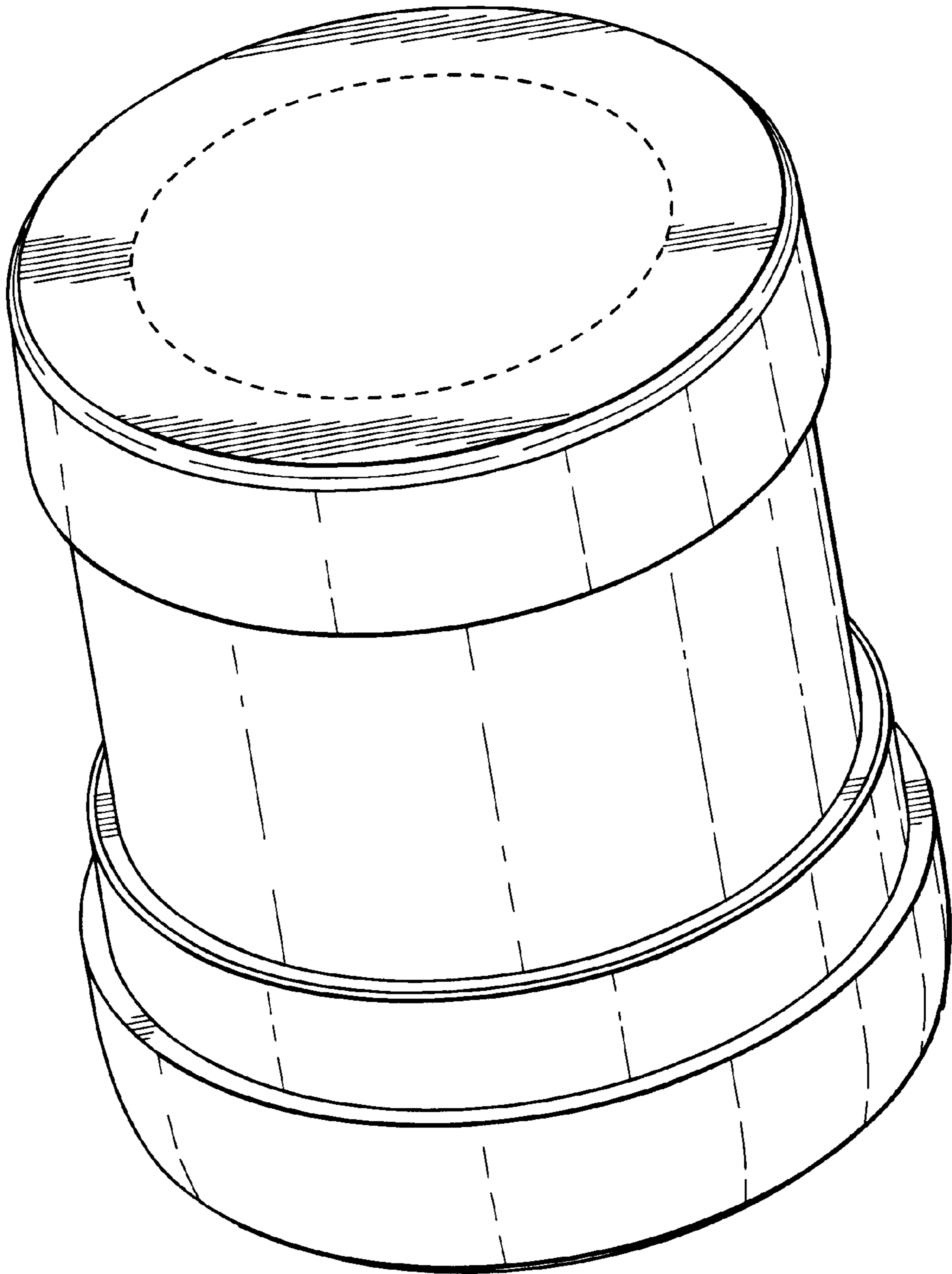
**1 Claim, 4 Drawing Sheets**



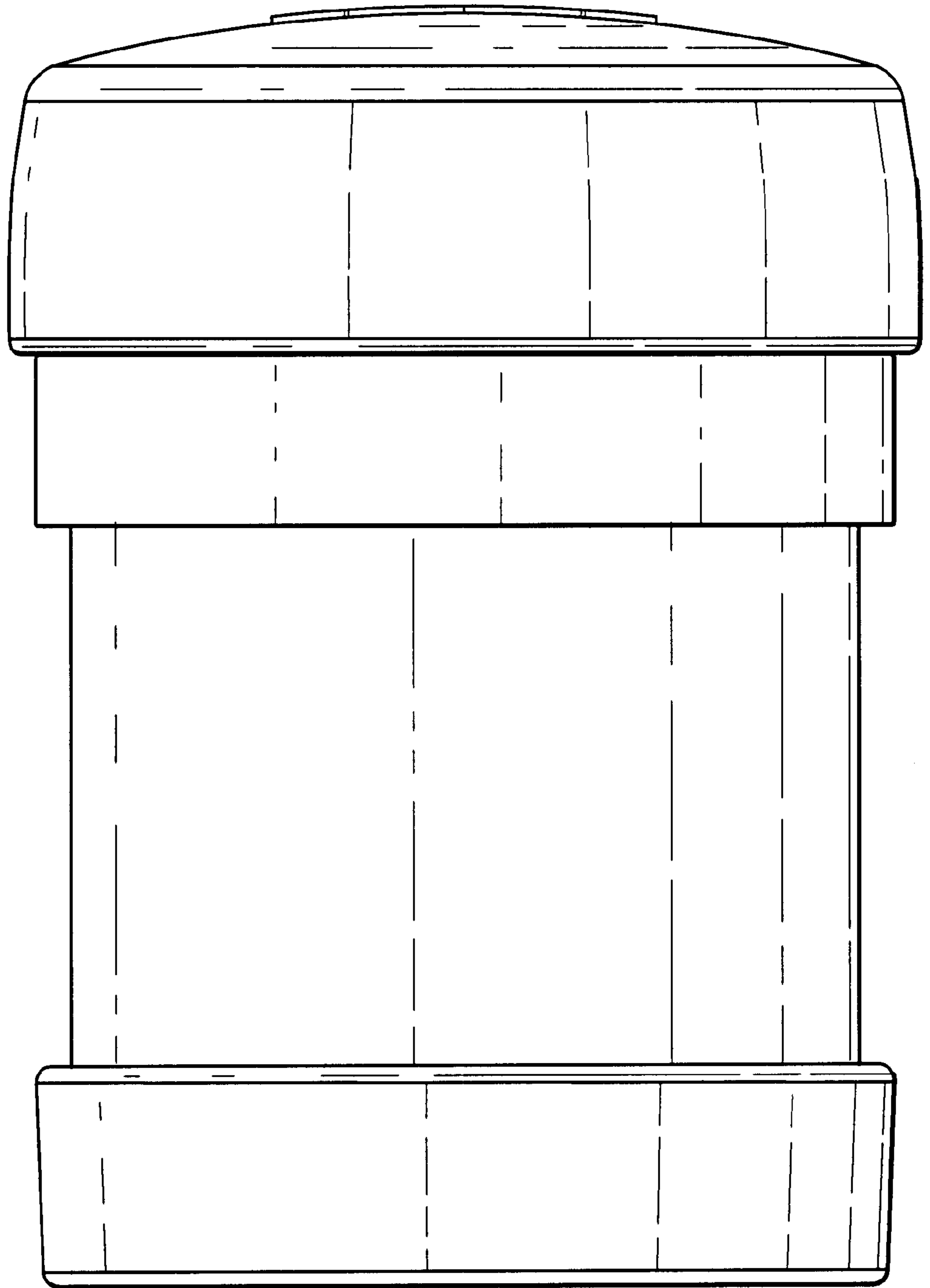
*Fig. 1*



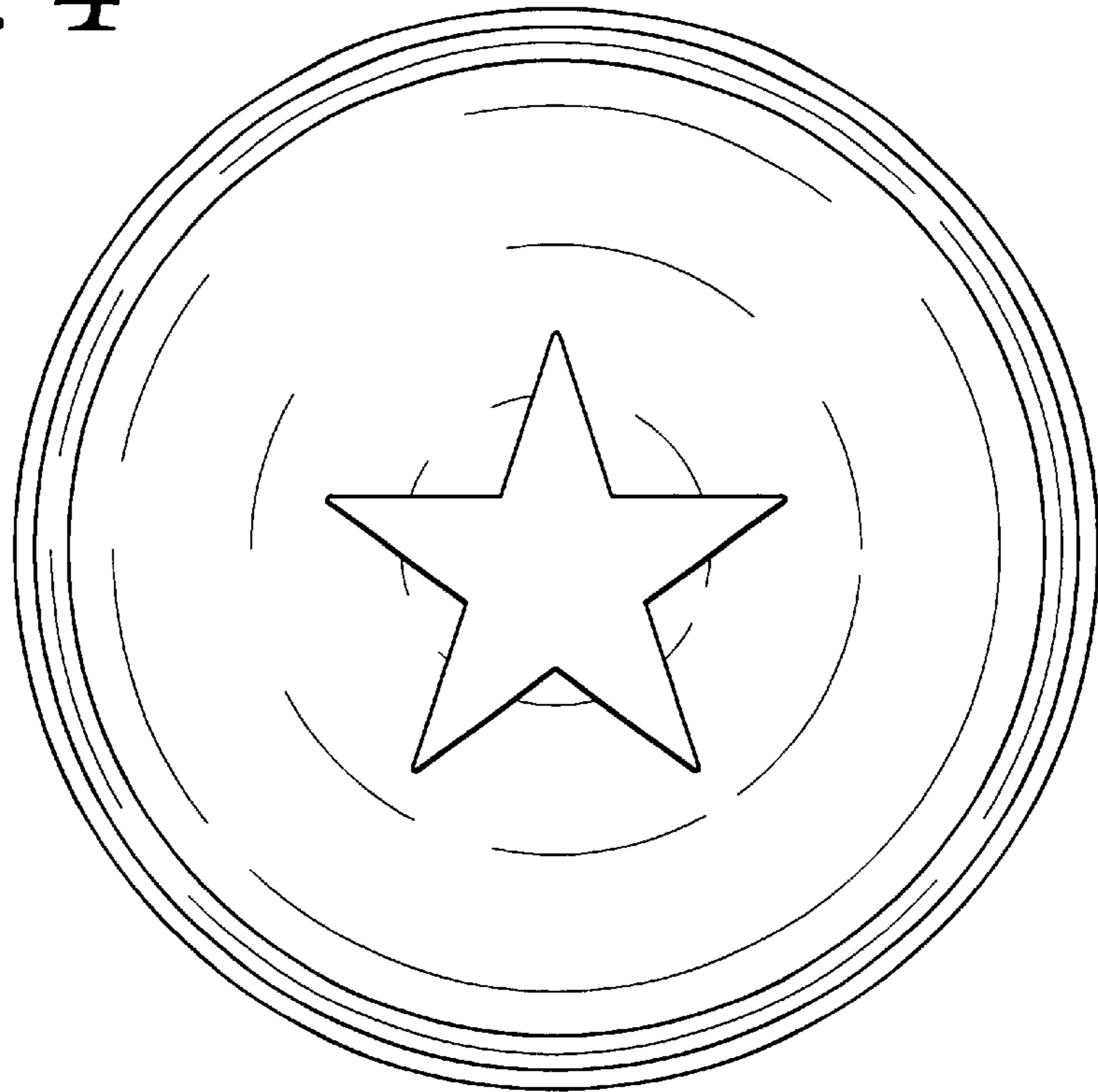
*Fig. 2*



*Fig. 3*



*Fig. 4*



*Fig. 5*

