



US00D477747S

(12) **United States Design Patent**  
**Hsu**

(10) **Patent No.:** **US D477,747 S**

(45) **Date of Patent:** **\*\* Jul. 29, 2003**

(54) **IGNITOR**

(76) Inventor: **Chin-Mei Hsu**, 3Fl., No. 53, Lane 80,  
Sec. 4, Cheng-Te Road, Taipei (TW)

(\*\*) Term: **14 Years**

(21) Appl. No.: **29/163,792**

(22) Filed: **Jul. 15, 2002**

(51) **LOC (7) Cl.** ..... **07-99**

(52) **U.S. Cl.** ..... **D7/416**

(58) **Field of Search** ..... D7/416, 417, 213;  
D8/30; D27/139, 141, 154, 157, 130; D15/144;  
126/414, 407, 413; 431/254, 255, 344,  
125, 131, 345; D26/23; D23/415; D24/144;  
D29/125-130

(56) **References Cited**

**U.S. PATENT DOCUMENTS**

4,597,732 A \* 7/1986 Yoshinaga ..... 431/255  
D302,098 S \* 7/1989 Yoshinaga ..... D8/30  
5,466,149 A \* 11/1995 Tsai ..... 431/344  
5,564,918 A \* 10/1996 Lin ..... 431/255

D380,046 S \* 6/1997 Domanowski ..... D24/144  
D398,050 S \* 9/1998 Yoshinaga ..... D23/415  
D444,912 S \* 7/2001 Xie et al. .... D27/157  
D456,428 S \* 4/2002 Aronson, II et al. .... D15/144

\* cited by examiner

*Primary Examiner*—M. N. Pandozzi

(74) *Attorney, Agent, or Firm*—Birch, Stewart, Kolasch &  
Birch, LLP

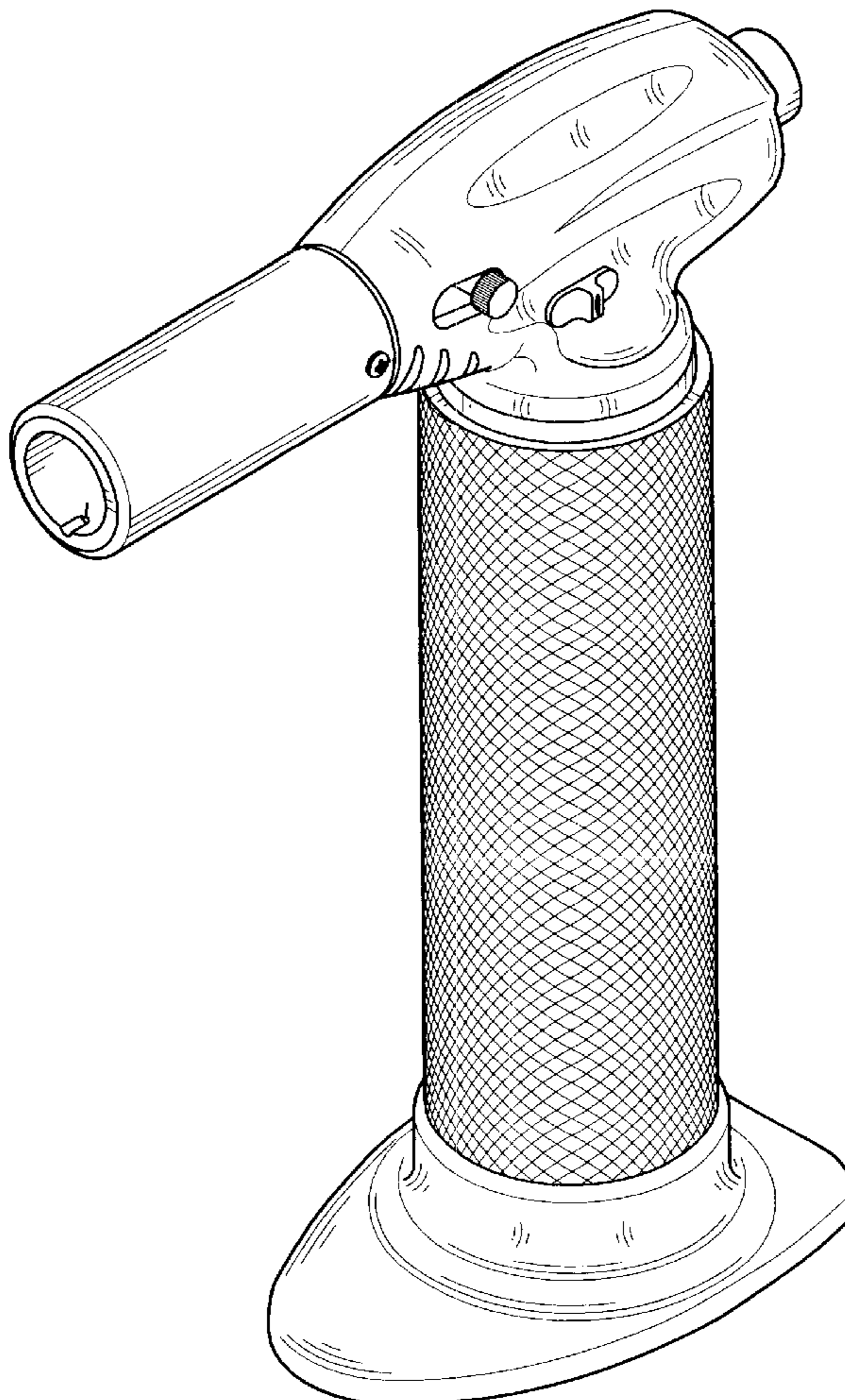
(57) **CLAIM**

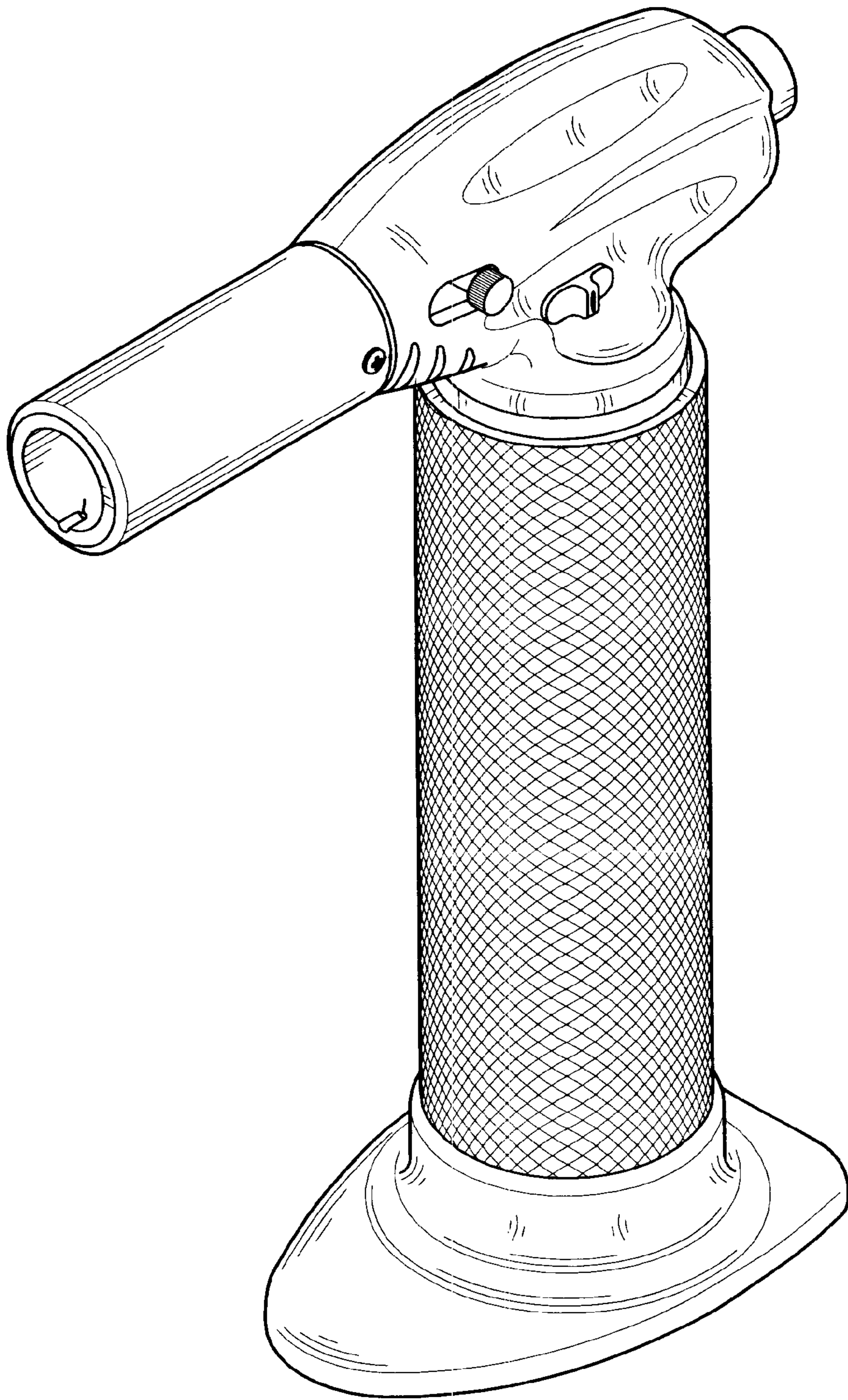
The ornamental design for ignitor, as shown and described.

**DESCRIPTION**

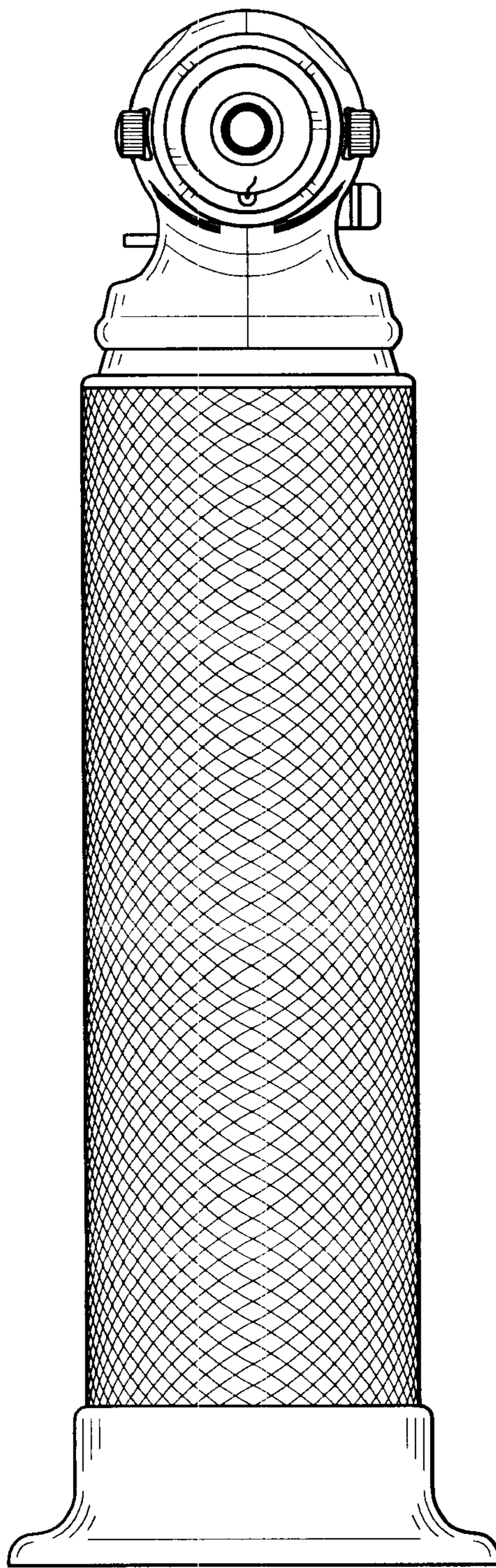
FIG. 1 is a perspective view of ignitor showing my new design;  
FIG. 2 is a front elevational view thereof;  
FIG. 3 is a rear elevational view thereof;  
FIG. 4 is a left side elevational view thereof;  
FIG. 5 is right side elevational view thereof;  
FIG. 6 is a top view thereof; and,  
FIG. 7 is a bottom view thereof.

**1 Claim, 7 Drawing Sheets**

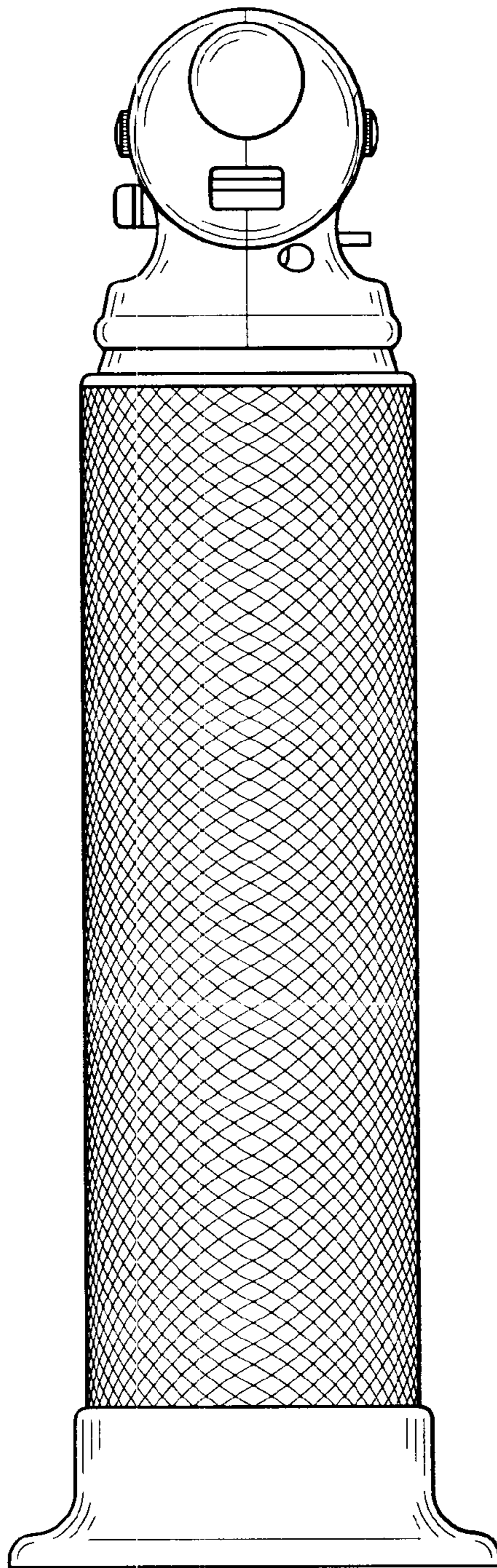




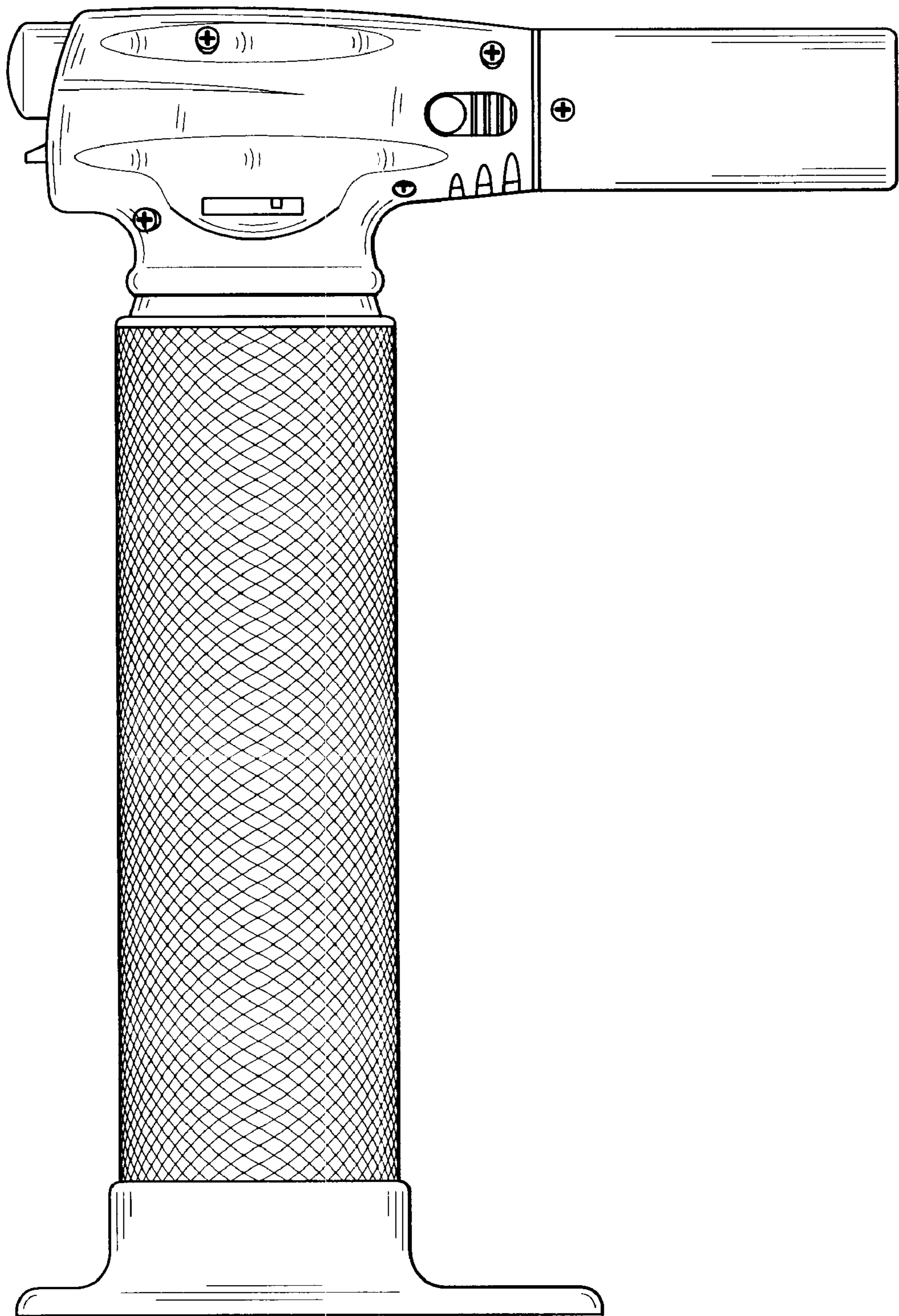
**FIG. 1**



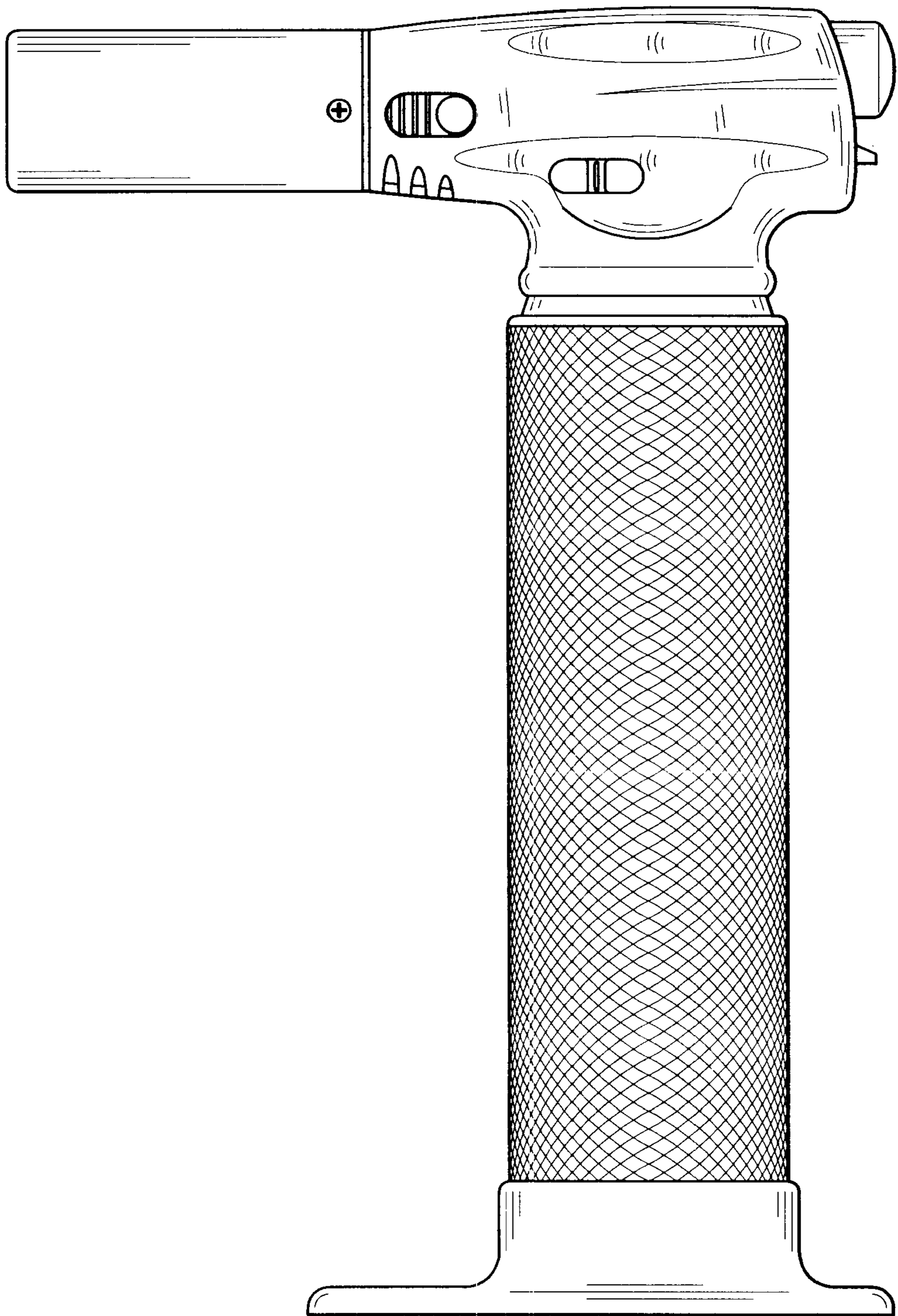
**FIG. 2**



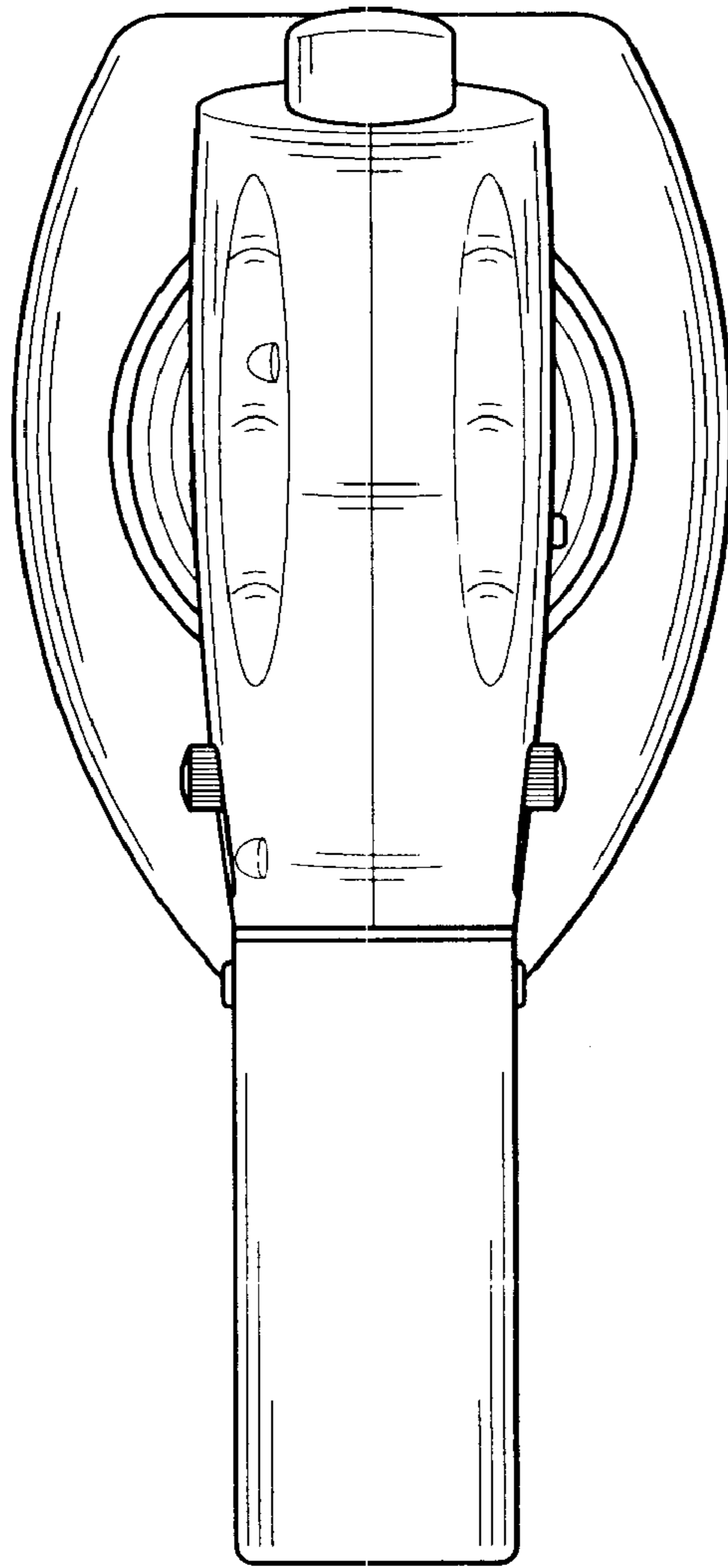
**FIG. 3**



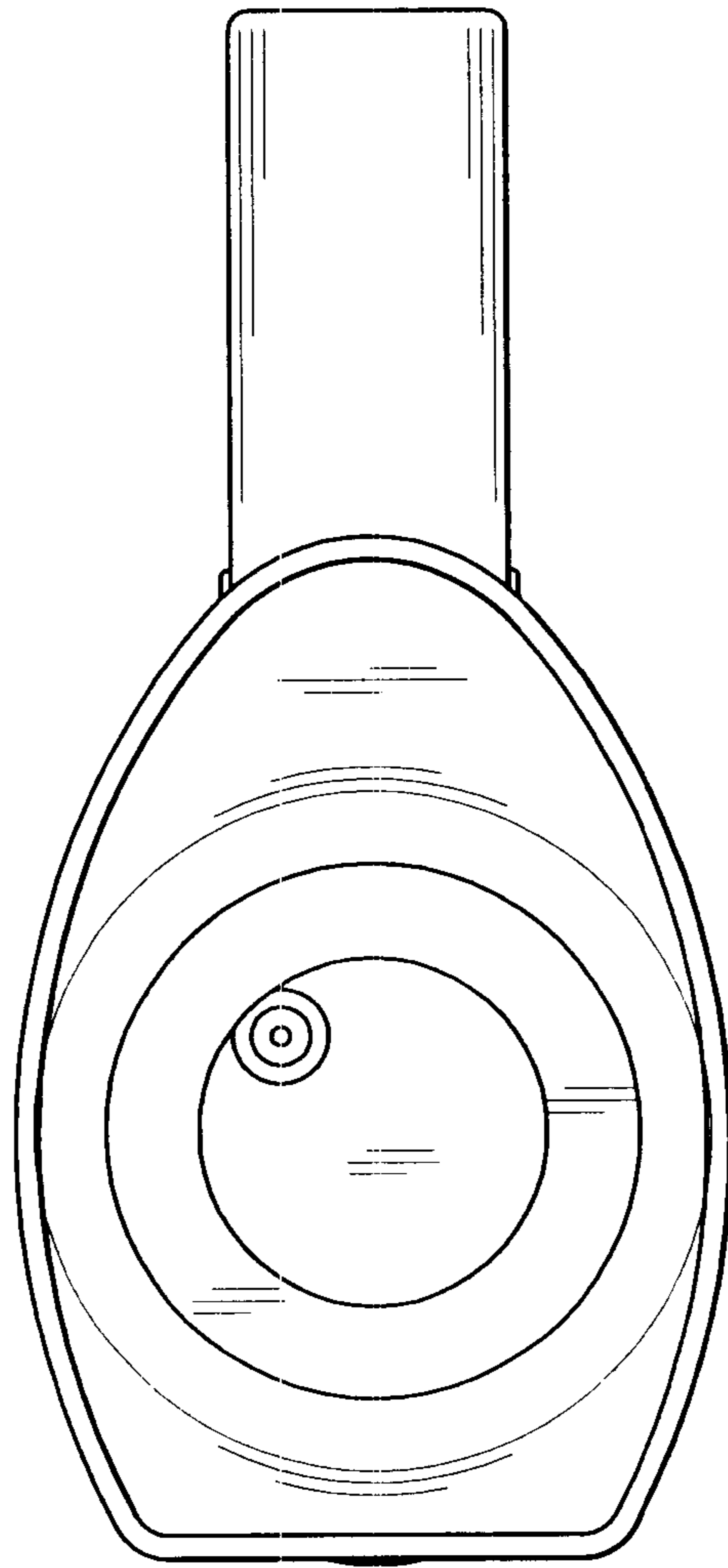
**FIG. 4**



**FIG. 5**



**FIG. 6**



**FIG. 7**