



US00D477741S

(12) **United States Design Patent**
Wang

(10) **Patent No.:** **US D477,741 S**

(45) **Date of Patent:** **** Jul. 29, 2003**

(54) **WATER PISTOL BRACKET**

(76) Inventor: **Hsin-Fa Wang**, No. 68, Mou Tan Lane,
Shao An Li, Lu Kang Town, Chang
Hua Hsien (TW)

(**) Term: **14 Years**

(21) Appl. No.: **29/170,774**

(22) Filed: **Nov. 13, 2002**

(51) **LOC (7) Cl.** **08-08**

(52) **U.S. Cl.** **D6/552**

(58) **Field of Search** D6/552; 211/13.1,
211/60.1, 64, 70.2, 70.6, 70.8; 248/309.1,
310, 312, 314

(56) **References Cited**

U.S. PATENT DOCUMENTS

5,617,960	A	*	4/1997	Bishop	211/60.1
6,250,480	B1	*	6/2001	McGuinness	211/70.8
D461,084	S	*	8/2002	Chen	D6/552
D461,085	S	*	8/2002	Chen	D6/552

* cited by examiner

Primary Examiner—Brian N. Vinson
(74) *Attorney, Agent, or Firm*—Harrison & Egbert

(57) **CLAIM**

I claim the ornamental design for a water pistol bracket, as shown and described.

DESCRIPTION

FIG. 1 is an upper perspective view of the water pistol bracket showing my design.

FIG. 2 is a front view thereof;

FIG. 3 is a back view thereof;

FIG. 4 is a side view thereof;

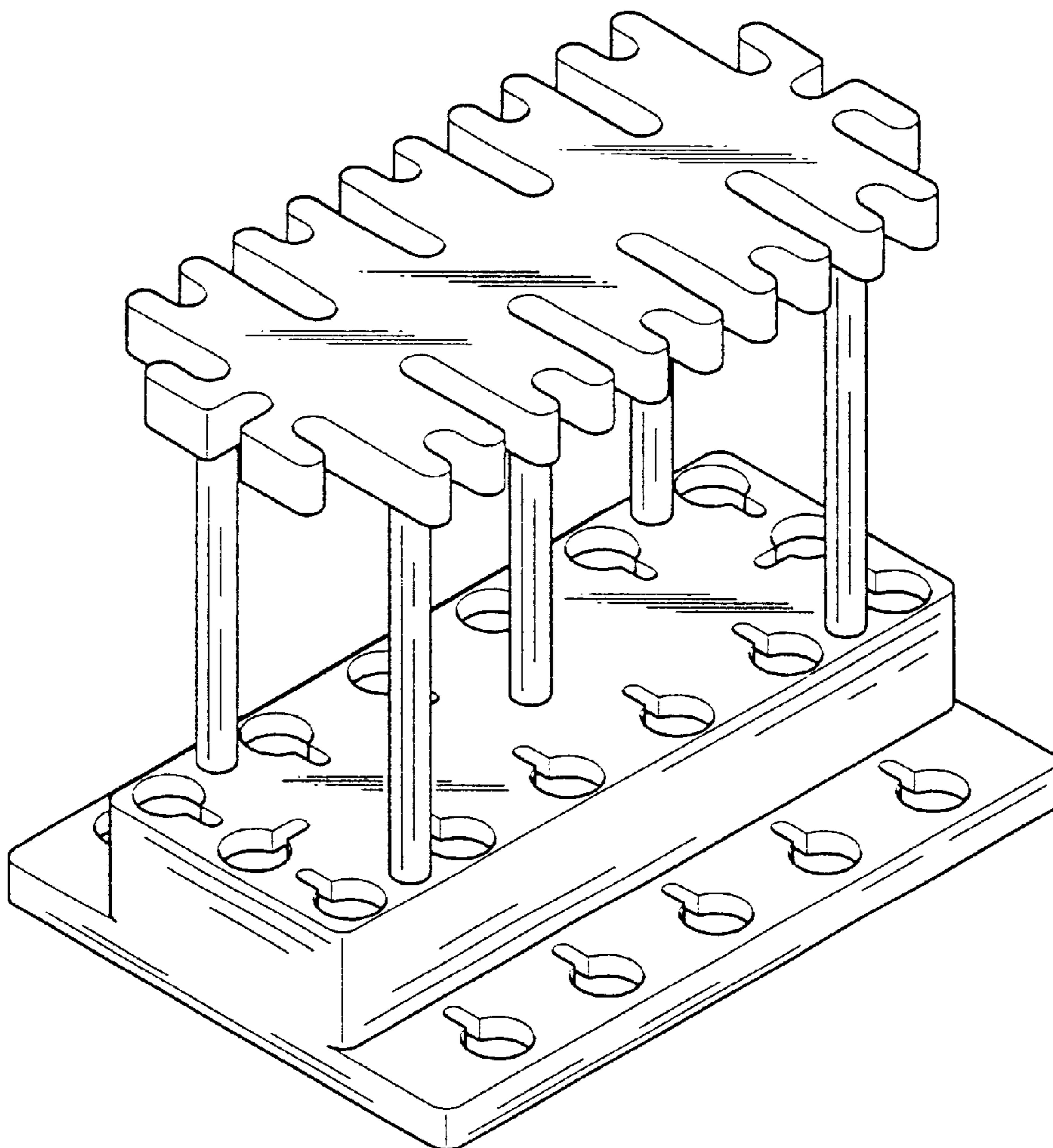
FIG. 5 is an opposite side view thereof;

FIG. 6 is a top view thereof;

FIG. 7 is a bottom view thereof; and,

FIG. 8 is an additional perspective view thereof, the broken-line disclosure of water pistols being for illustrative purposes only and forming no part of the claimed design.

1 Claim, 5 Drawing Sheets



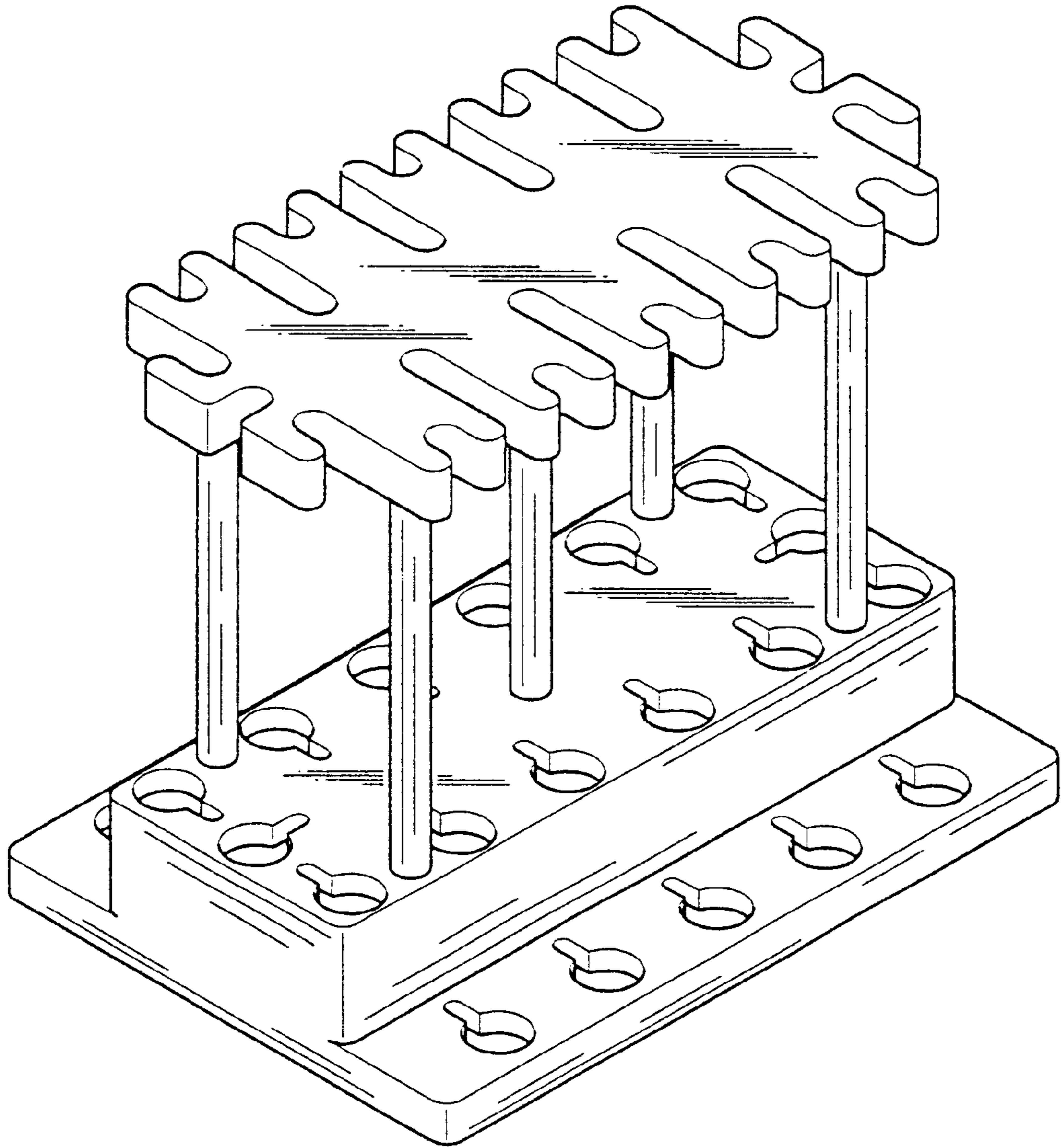


FIG. 1

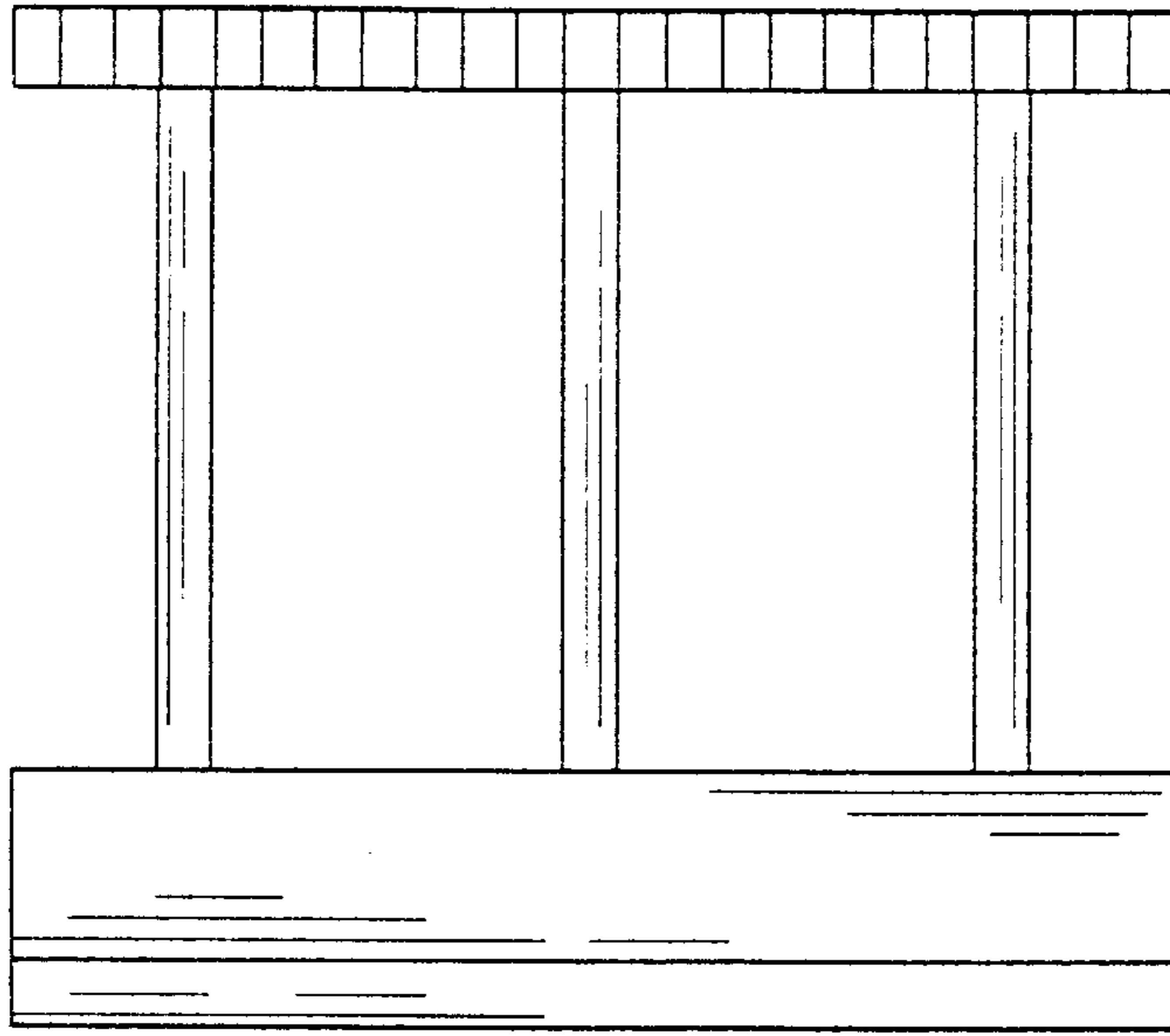


FIG. 2

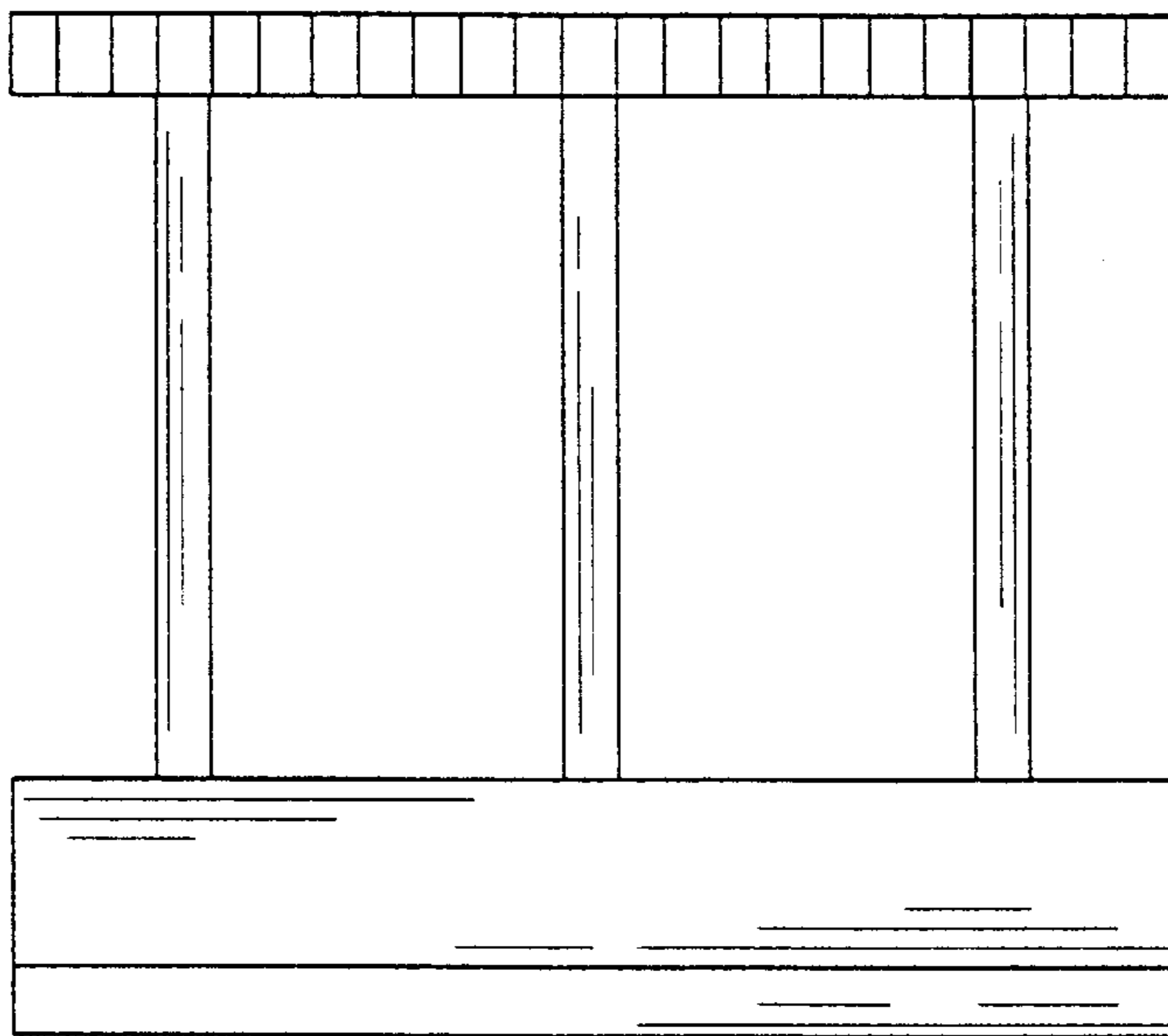


FIG. 3

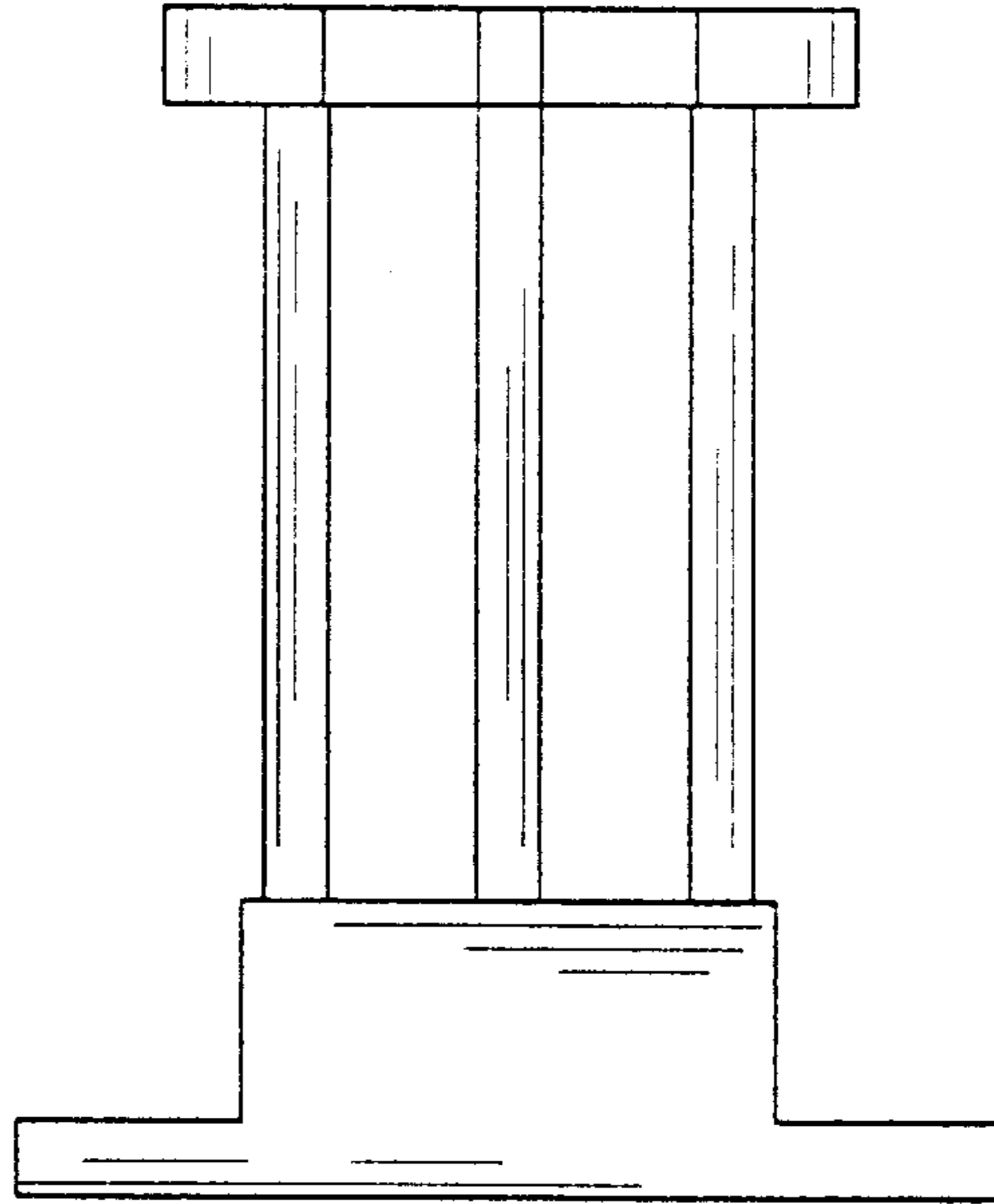


FIG. 4

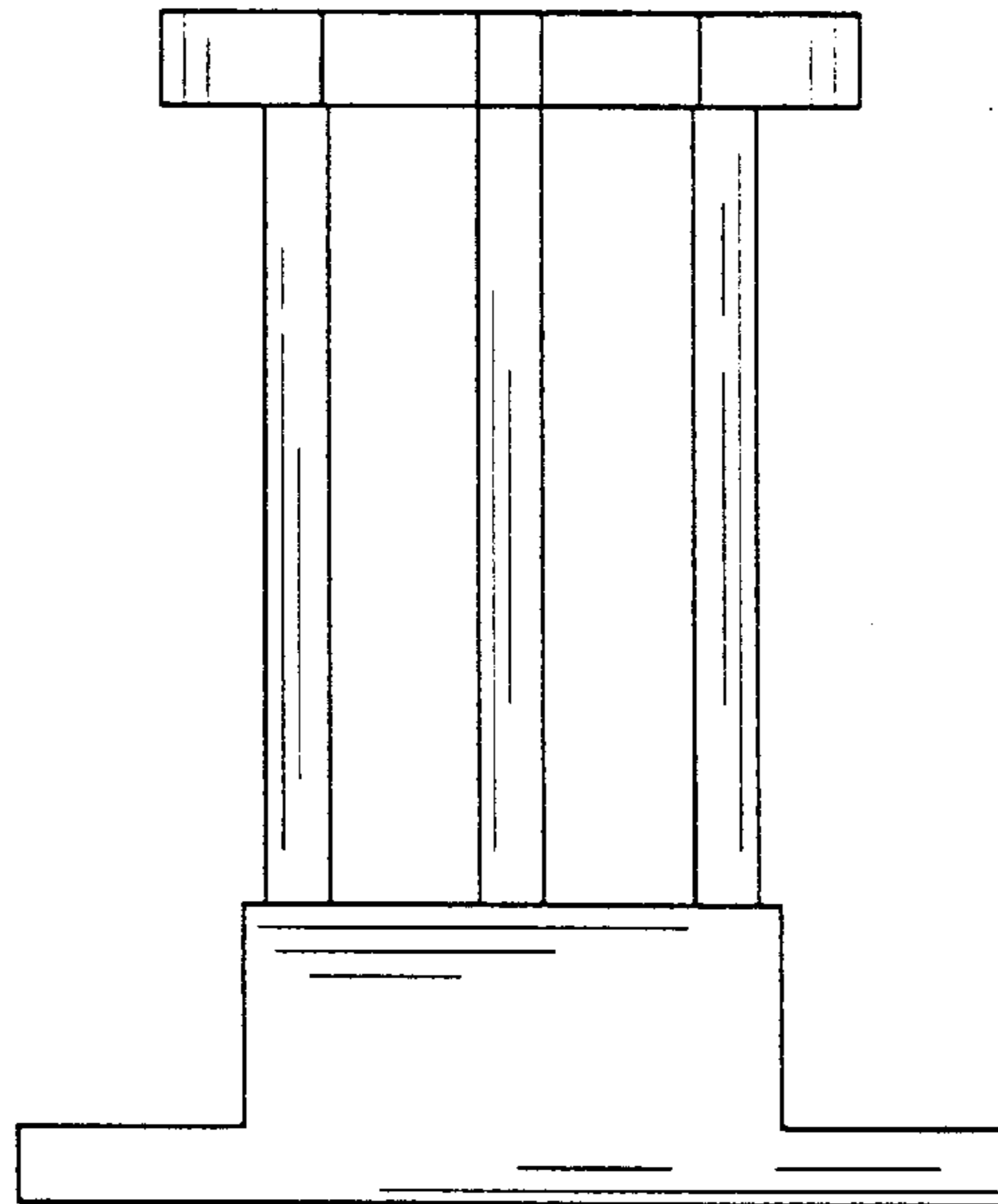


FIG. 5

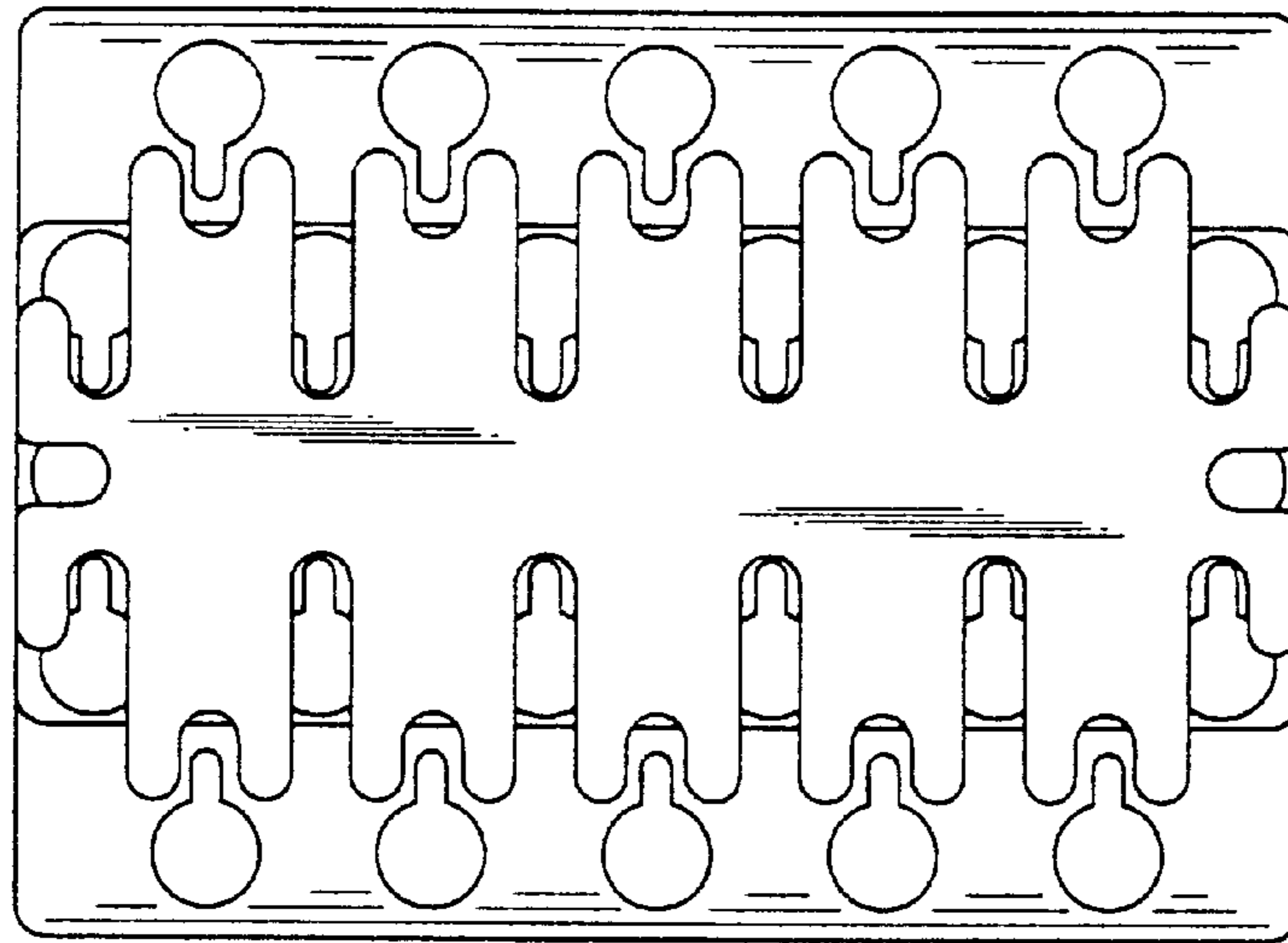


FIG. 6

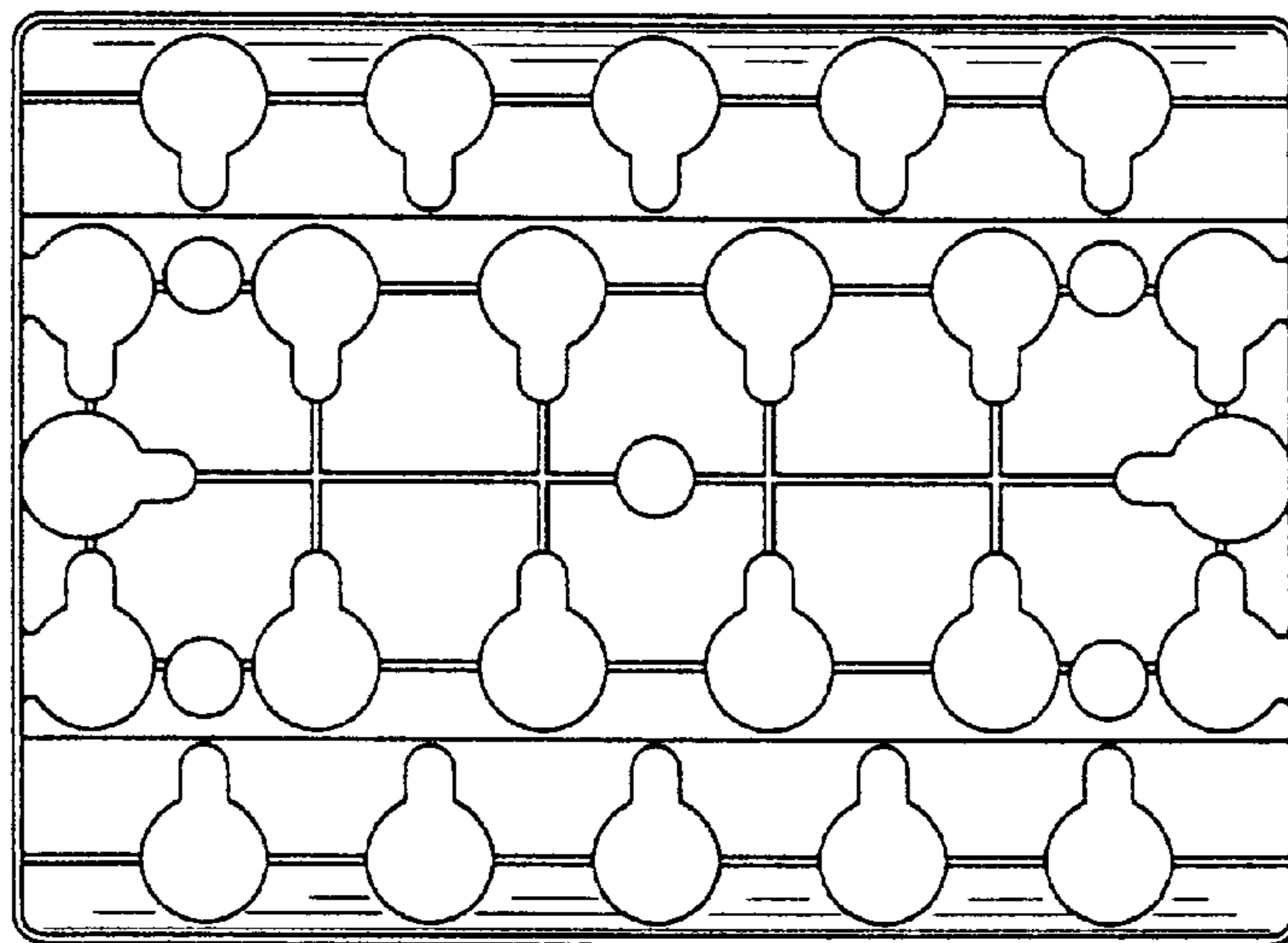


FIG. 7

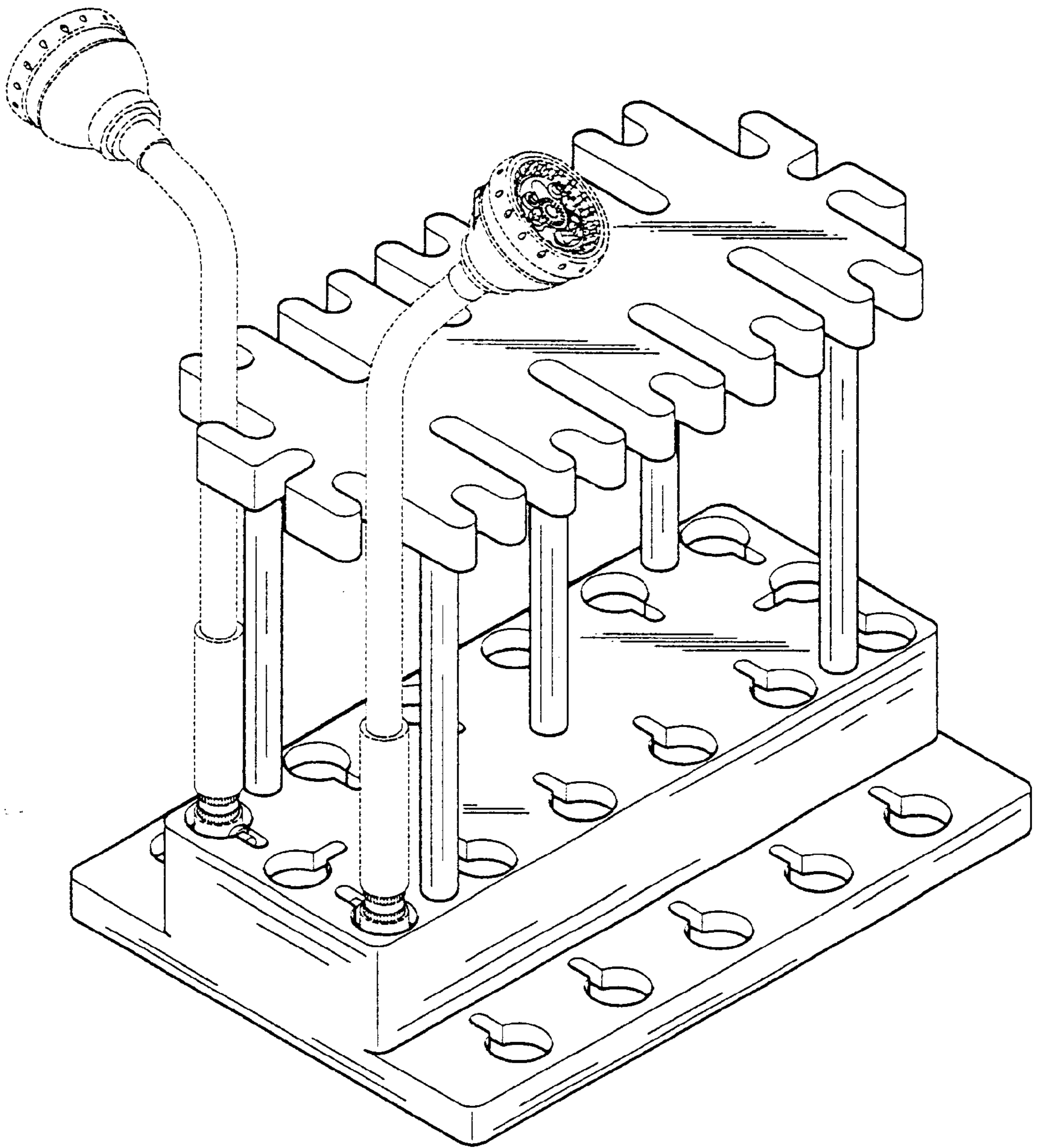


FIG. 8