



US00D477737S

(12) **United States Design Patent**
Hoernig

(10) **Patent No.:** **US D477,737 S**

(45) **Date of Patent:** **** Jul. 29, 2003**

- (54) **DOUBLE TOWEL BAR**
- (75) Inventor: **Victor Hoernig**, Lowell, IN (US)
- (73) Assignee: **Bath Unlimited, Inc.**, Fort Mill, SC (US)
- (**) Term: **14 Years**
- (21) Appl. No.: **29/166,092**
- (22) Filed: **Aug. 21, 2002**
- (51) **LOC (7) Cl.** **06-04**
- (52) **U.S. Cl.** **D6/548**
- (58) **Field of Search** D6/546-50, 518-19, D6/522-24; D8/300, 303, 315-21, 354, 363, 373, 380; 108/28-29; 211/13.1, 16, 60.1, 86.01, 87.01, 88.01, 88.04, 100, 105.1-105.2, 119.003, 123, 126.1, 133.6, 134, 181.1, 182; 248/175, 176.1, 200, 214, 251, 302, 309.1; 16/110.1, 412, 415; 242/570, 590, 595-598; 206/389, 557

- D327,598 S * 7/1992 Emery D6/549
- D392,138 S * 3/1998 Wu D6/549
- D453,649 S * 2/2002 Hoernig D6/548
- D453,887 S * 2/2002 Meck et al. D6/548
- D455,035 S * 4/2002 Meck et al. D6/548
- D455,309 S * 4/2002 Hoernig D6/548

* cited by examiner

Primary Examiner—Brian N. Vinson
(74) *Attorney, Agent, or Firm*—Edgar A. Zarins; Lloyd D. Doigan

(57) **CLAIM**

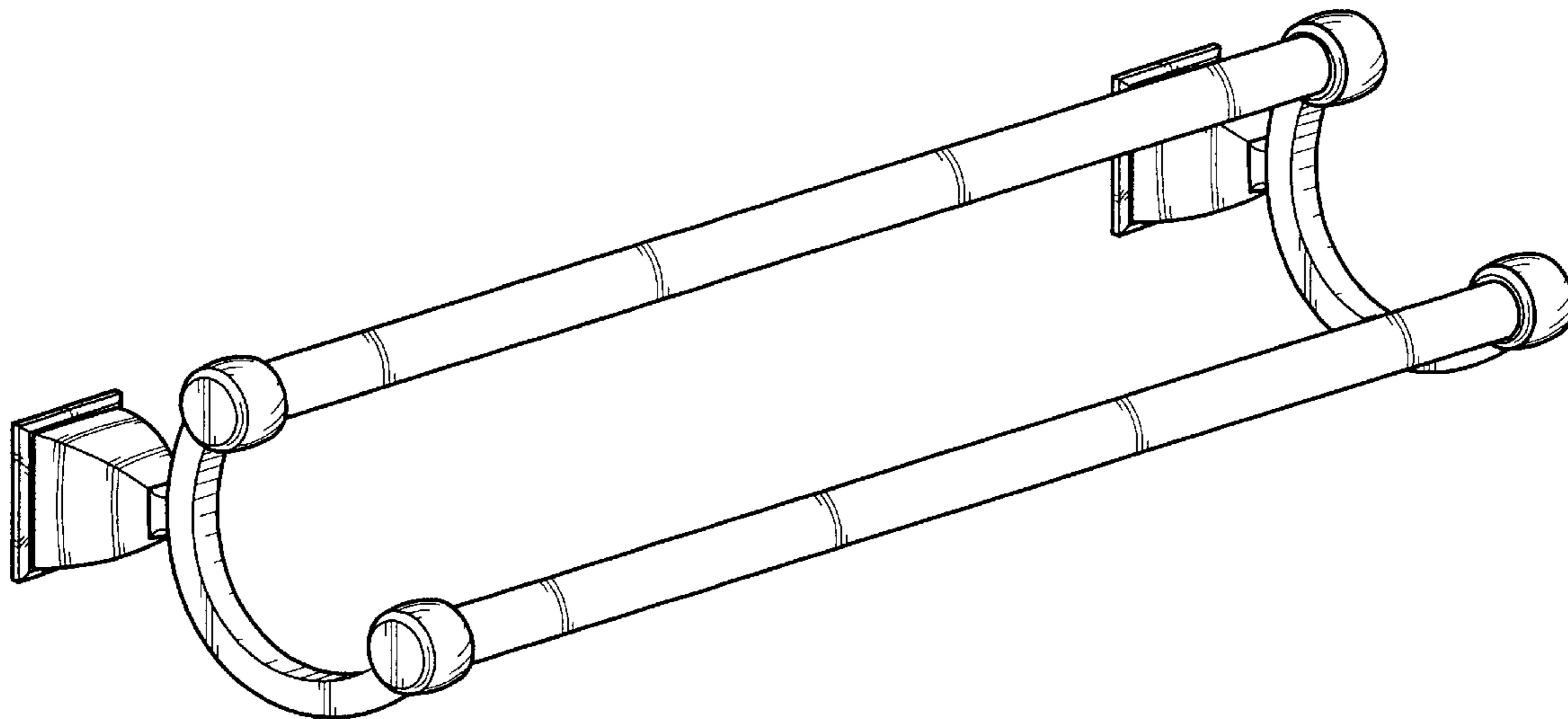
The ornamental design for a double towel bar, as shown and described.

DESCRIPTION

FIG. 1 is a perspective view of a double towel bar showing my new design;
FIG. 2 is right side view thereof;
FIG. 3 is a left side view thereof;
FIG. 4 is a top plan view thereof;
FIG. 5 is a front elevational view thereof;
FIG. 6 is a bottom plan view thereof; and,
FIG. 7 is a rear view thereof.

- (56) **References Cited**
- U.S. PATENT DOCUMENTS
- D157,015 S * 1/1950 Wheelan D6/548
- D256,862 S * 9/1980 Ryan et al. D6/549

1 Claim, 3 Drawing Sheets



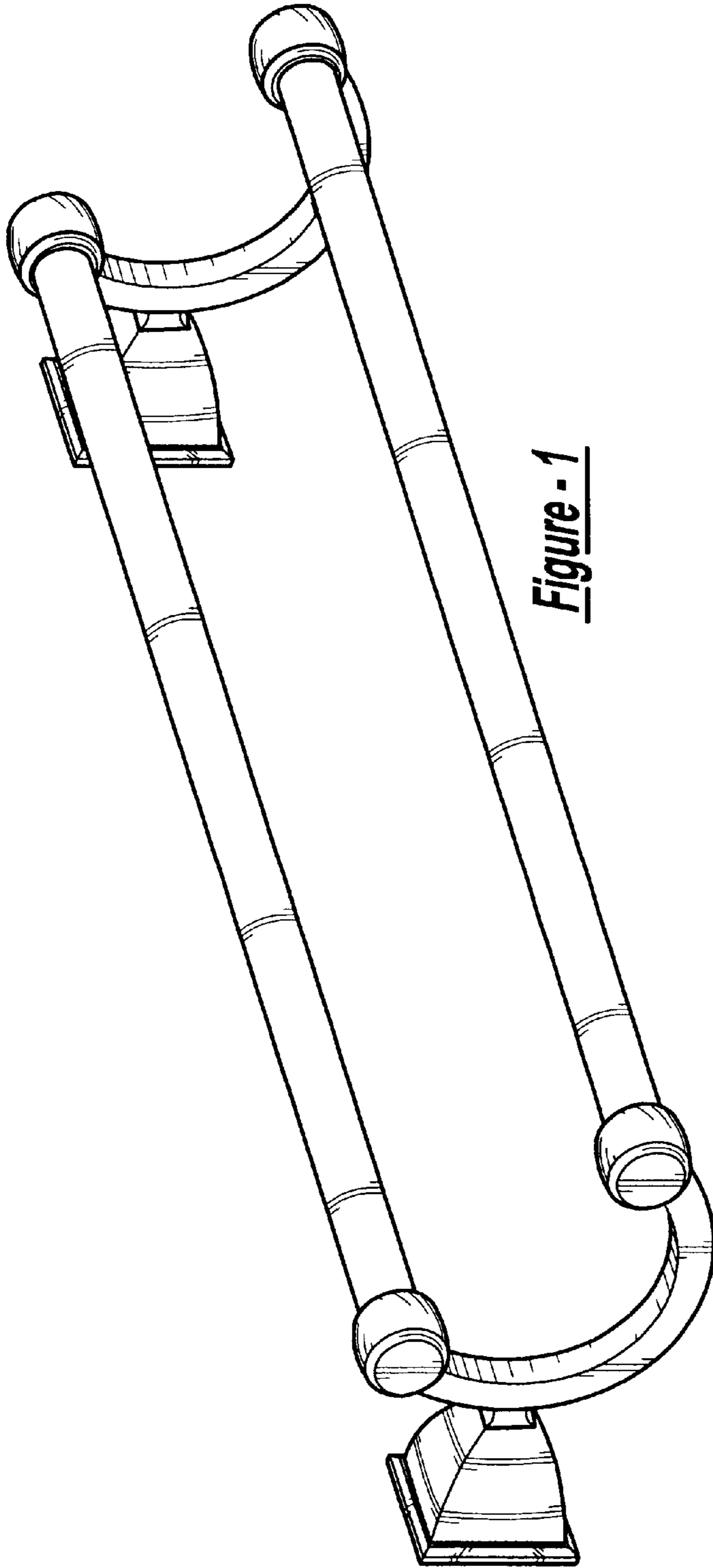


Figure - 1

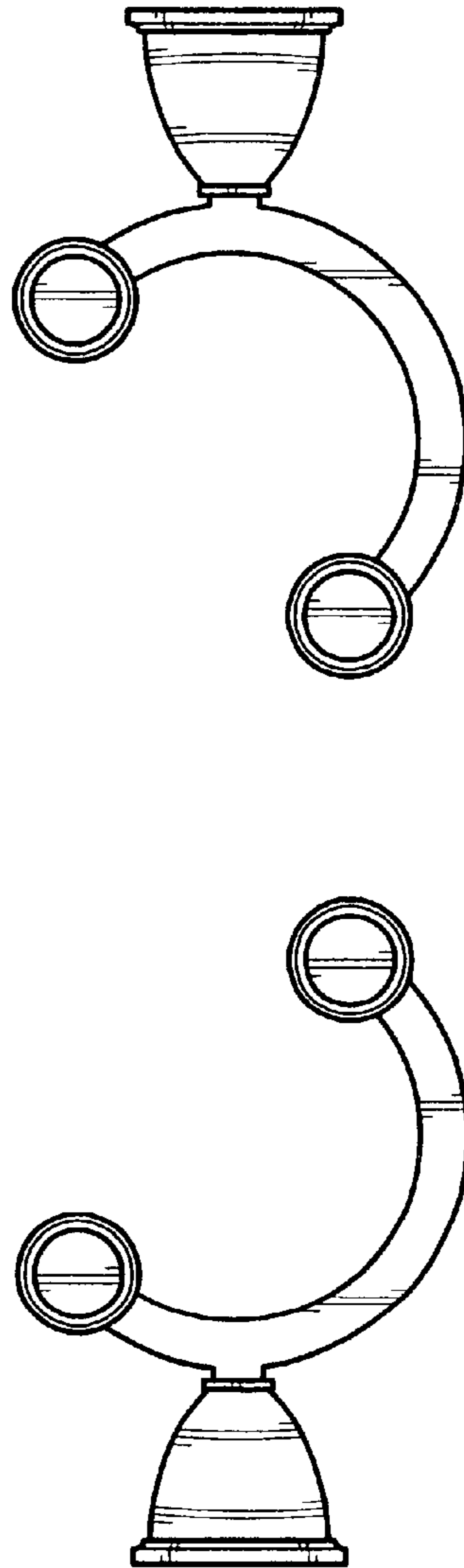


Figure - 2

Figure - 3

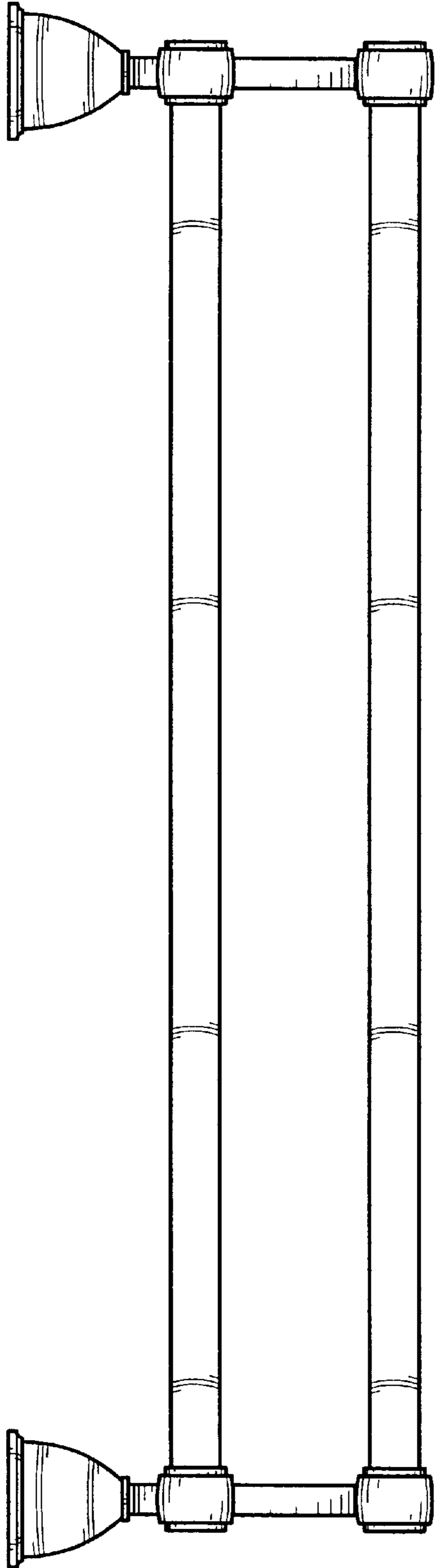


Figure - 4

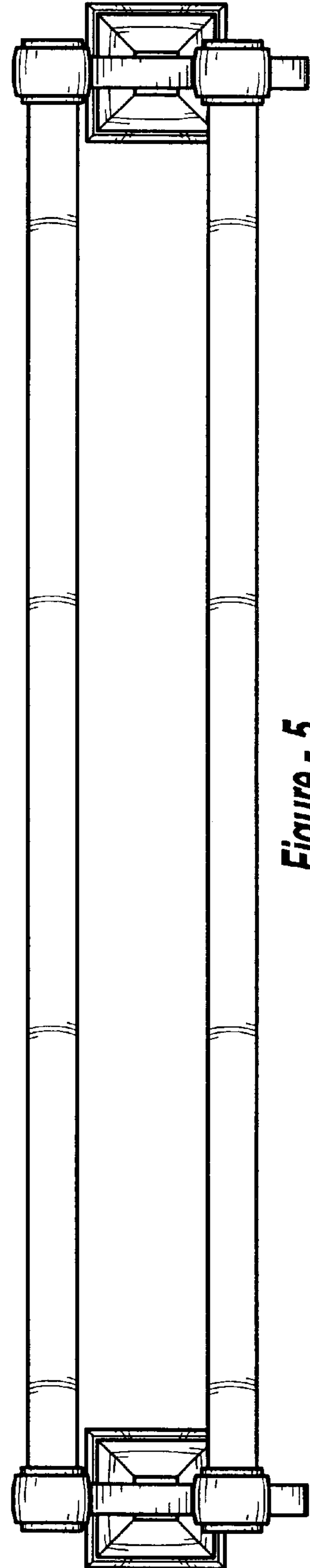


Figure - 5

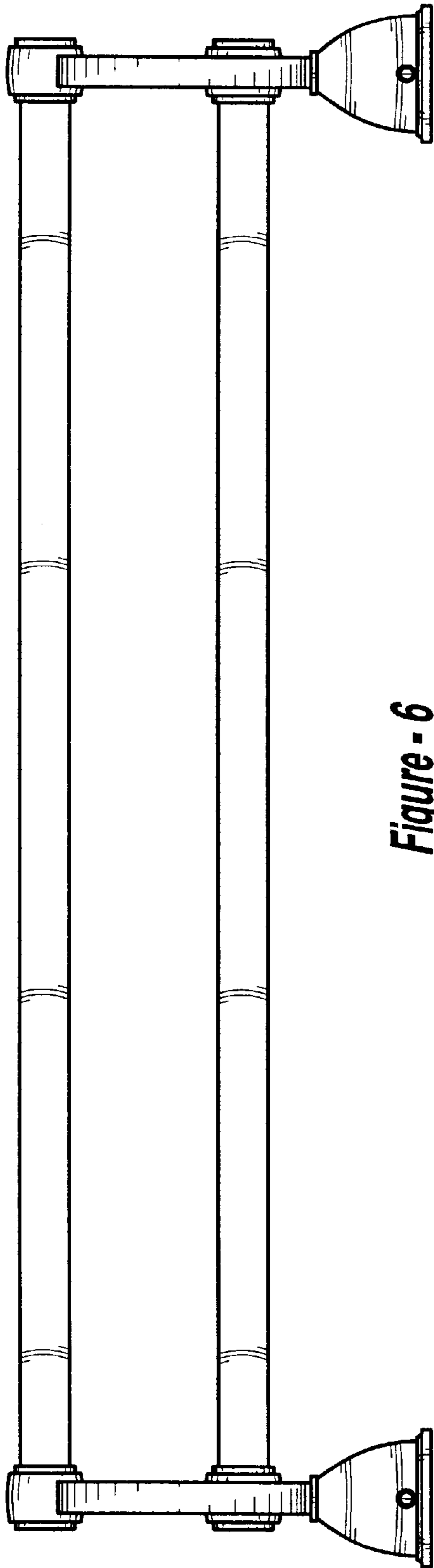


Figure - 6

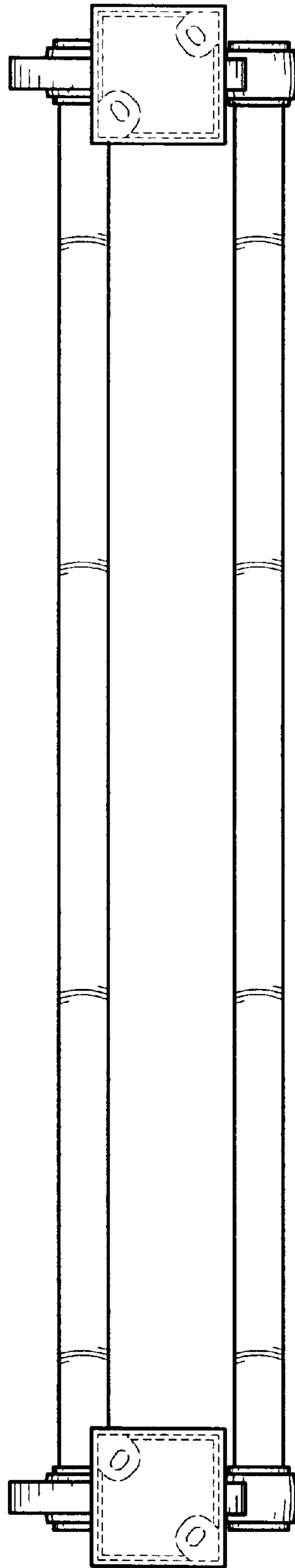


Figure - 7