



US00D477736S

(12) **United States Design Patent**
Hoernig

(10) **Patent No.:** **US D477,736 S**

(45) **Date of Patent:** **** Jul. 29, 2003**

(54) **TOWEL HOOK**

D341,511 S * 11/1993 McKeone D6/550
D436,775 S * 1/2001 Ming-Hsiao D6/523

(75) Inventor: **Victor Hoernig**, Lowell, IN (US)

* cited by examiner

(73) Assignee: **Bath Unlimited, Inc.**, Fort Mill, SC (US)

Primary Examiner—Brian N. Vinson
(74) *Attorney, Agent, or Firm*—Edgar A. Zarins; Lloyd D. Doigan

(**) Term: **14 Years**

(21) Appl. No.: **29/166,091**

(57) **CLAIM**

(22) Filed: **Aug. 21, 2002**

The ornamental design for a towel hook, as shown and described.

(51) **LOC (7) Cl.** **06-04**

(52) **U.S. Cl.** **D6/546**

DESCRIPTION

(58) **Field of Search** D6/546-50, 518-19, D6/522-24; D8/300, 303, 307, 315-21, 354, 363, 373, 380; 108/28-29; 211/13.1, 16, 60.1, 86.01, 87.01, 88.01, 88.04, 100, 105.1-105.2, 119.003, 123, 126.1, 133.6, 134, 181.1, 182; 248/175, 176.1, 200, 214, 251, 302, 309.1; 16/110.1, 412, 415; 242/570, 590, 595-598; 206/389, 557

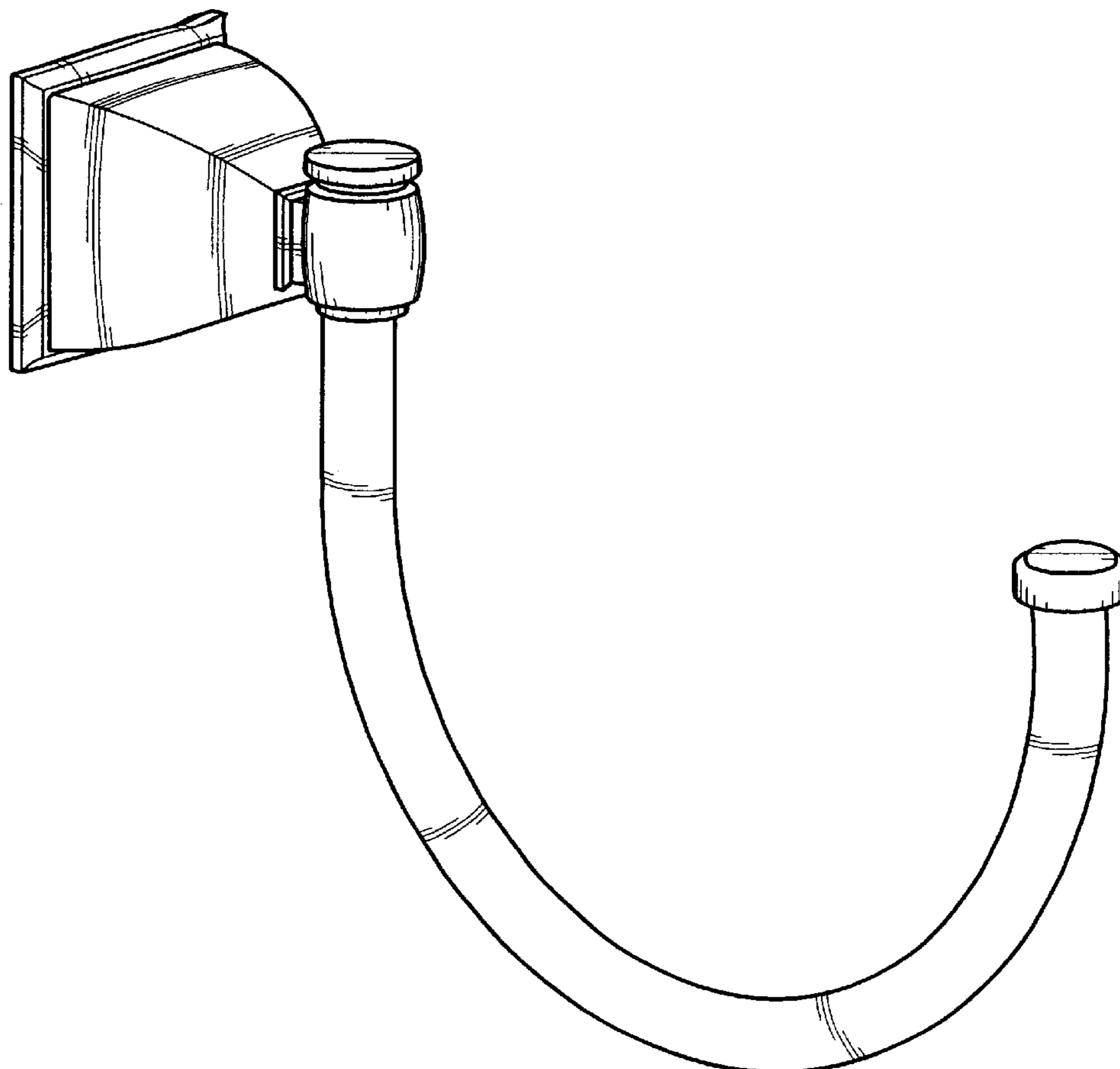
FIG. 1 is a perspective view of a towel hook showing my new design;
FIG. 2 is a right side view thereof;
FIG. 3 is a front view elevational view thereof;
FIG. 4 is a left side view thereof;
FIG. 5 is a bottom plan view thereof;
FIG. 6 is a top plan view thereof; and,
FIG. 7 is a rear view thereof.

(56) **References Cited**

U.S. PATENT DOCUMENTS

D150,771 S * 8/1948 Isleyan D6/546

1 Claim, 3 Drawing Sheets



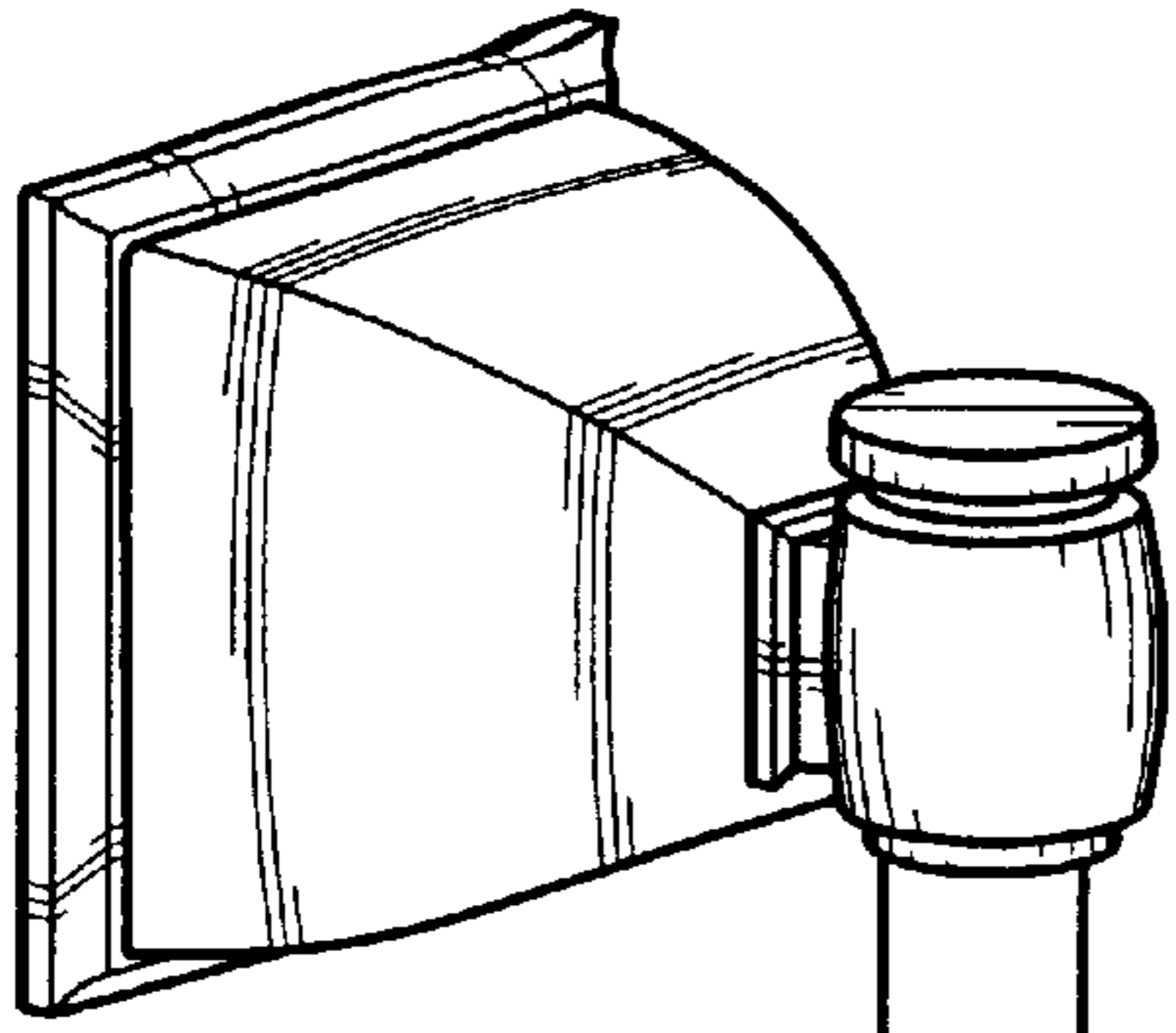


Figure - 1

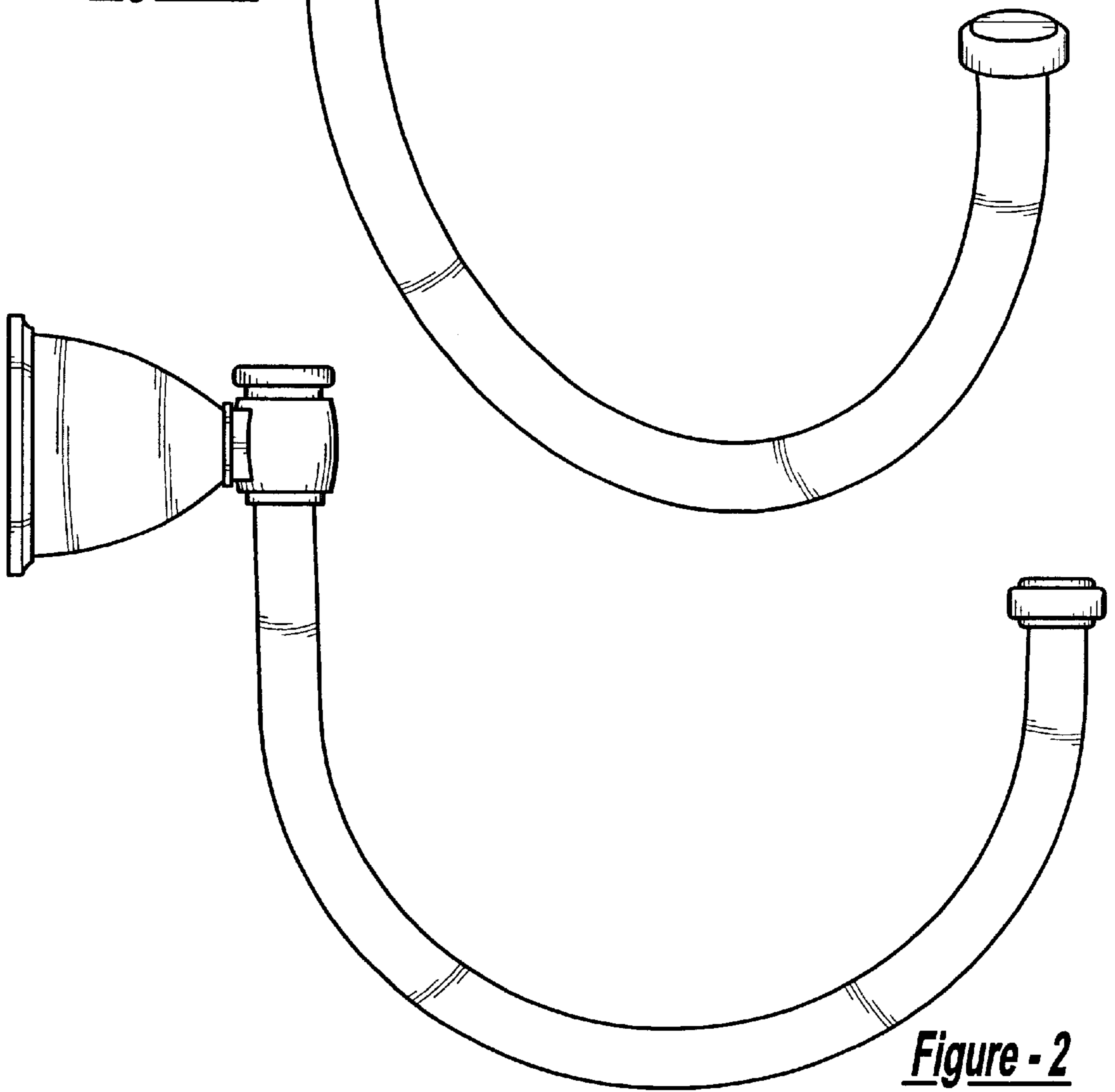


Figure - 2

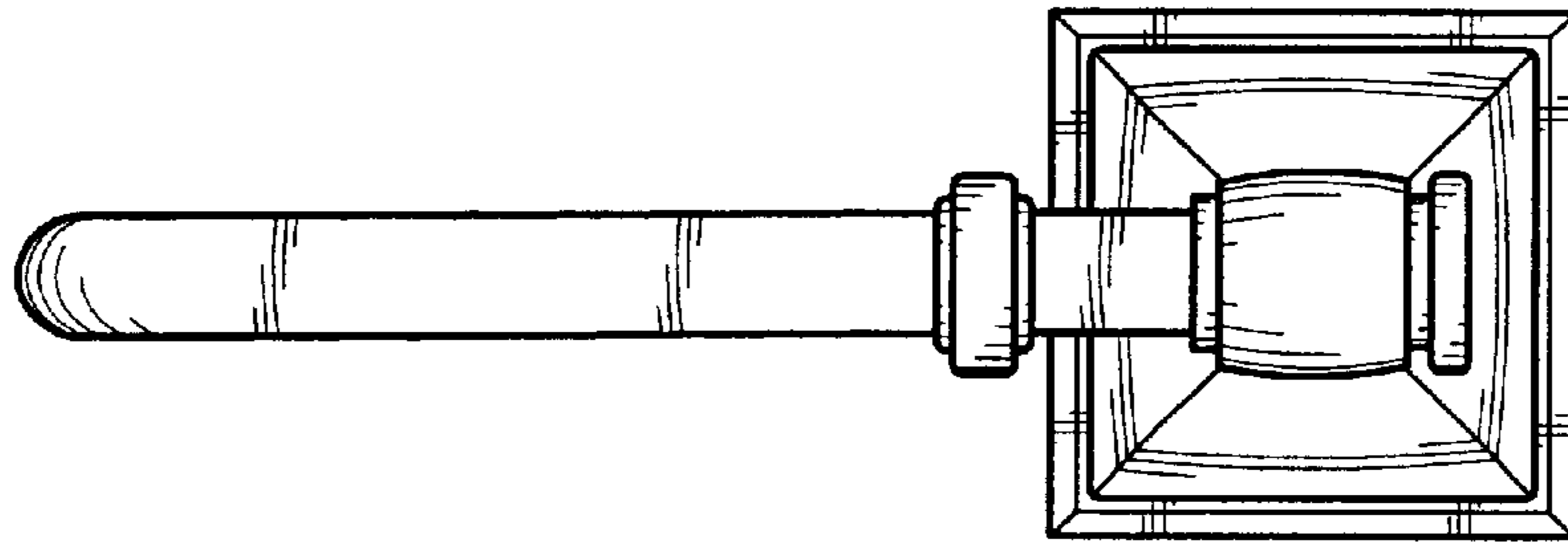


Figure - 3

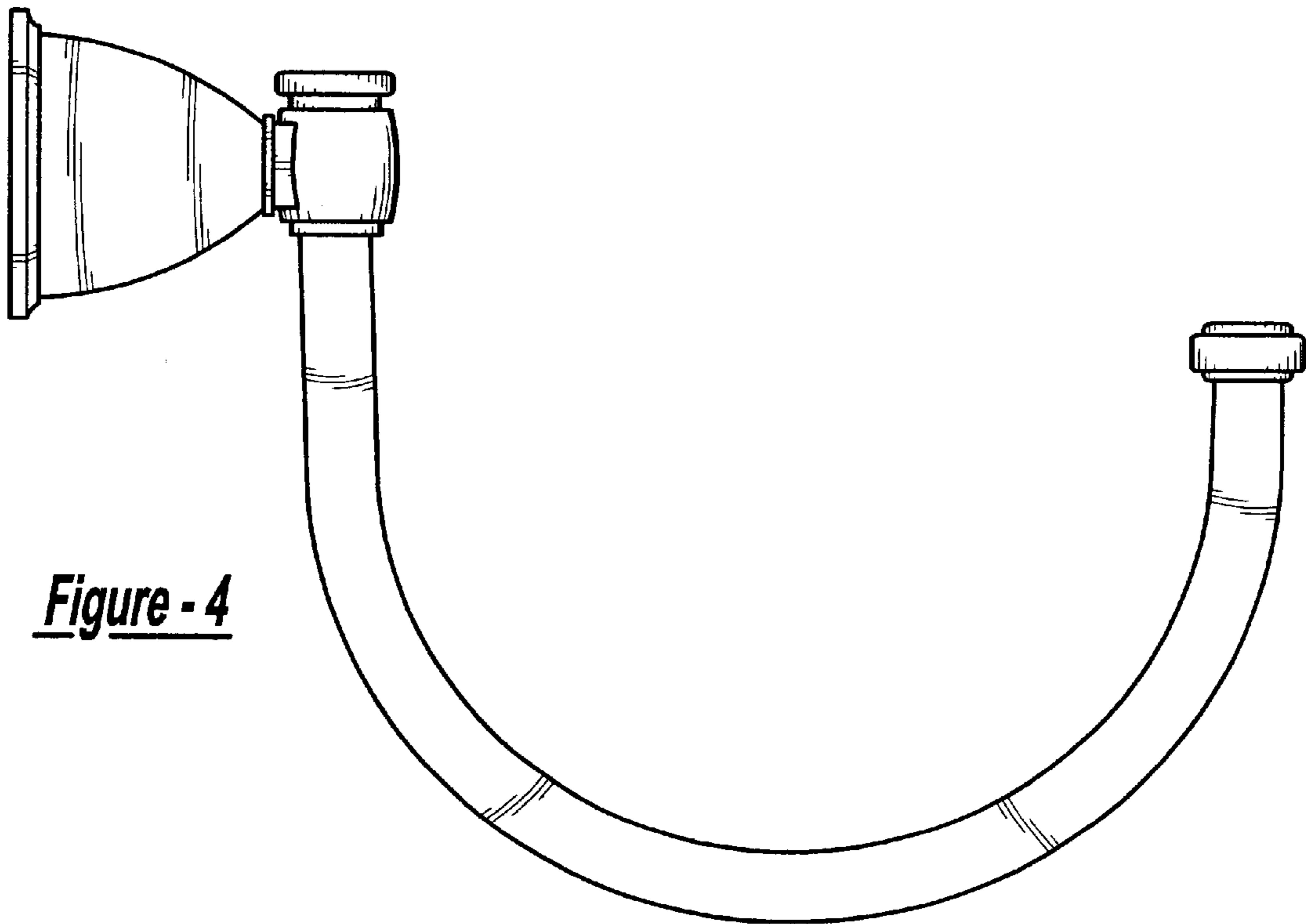


Figure - 4

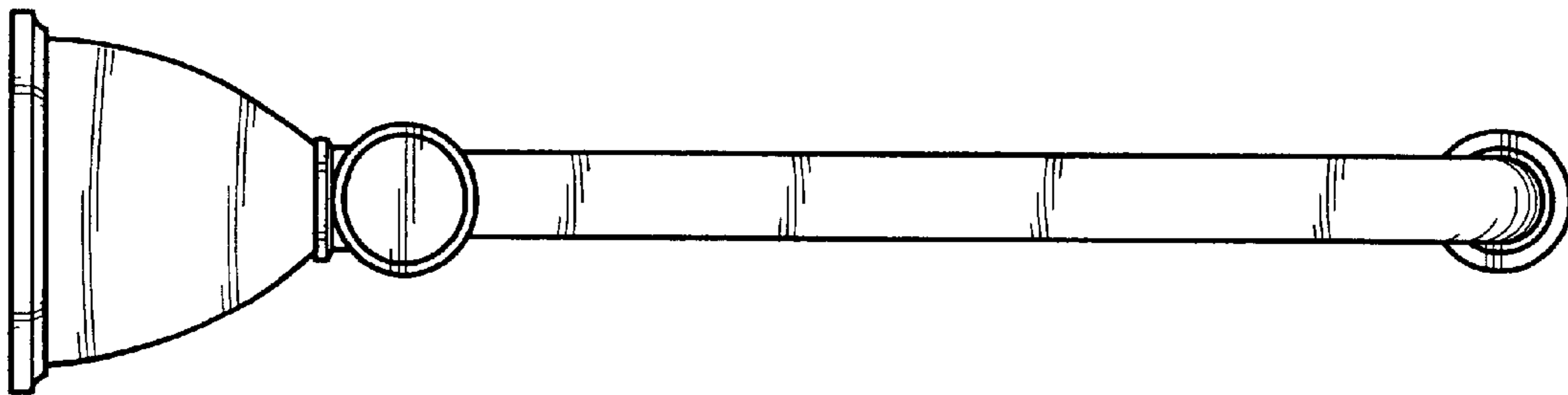


Figure - 5

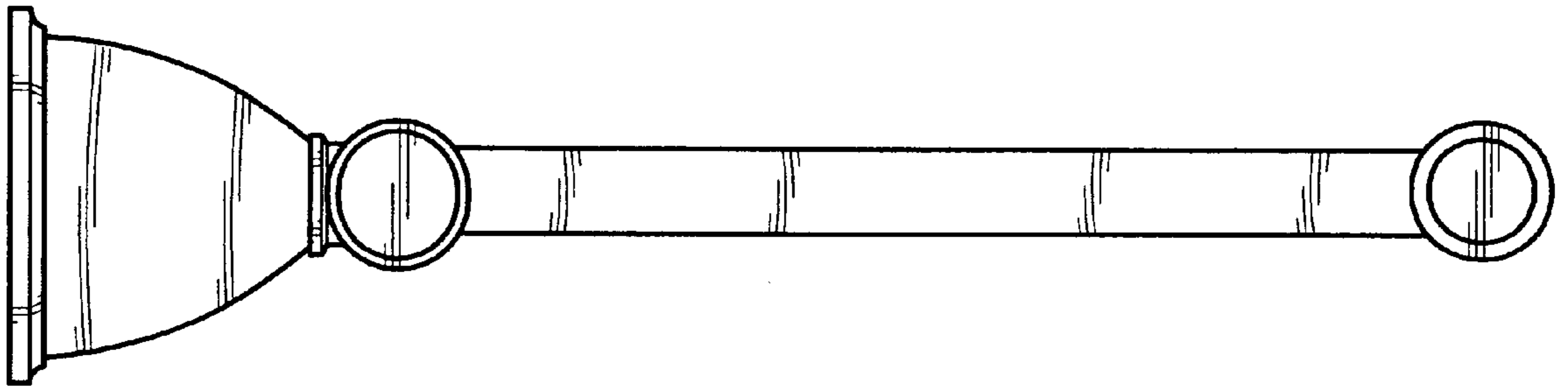


Figure - 6

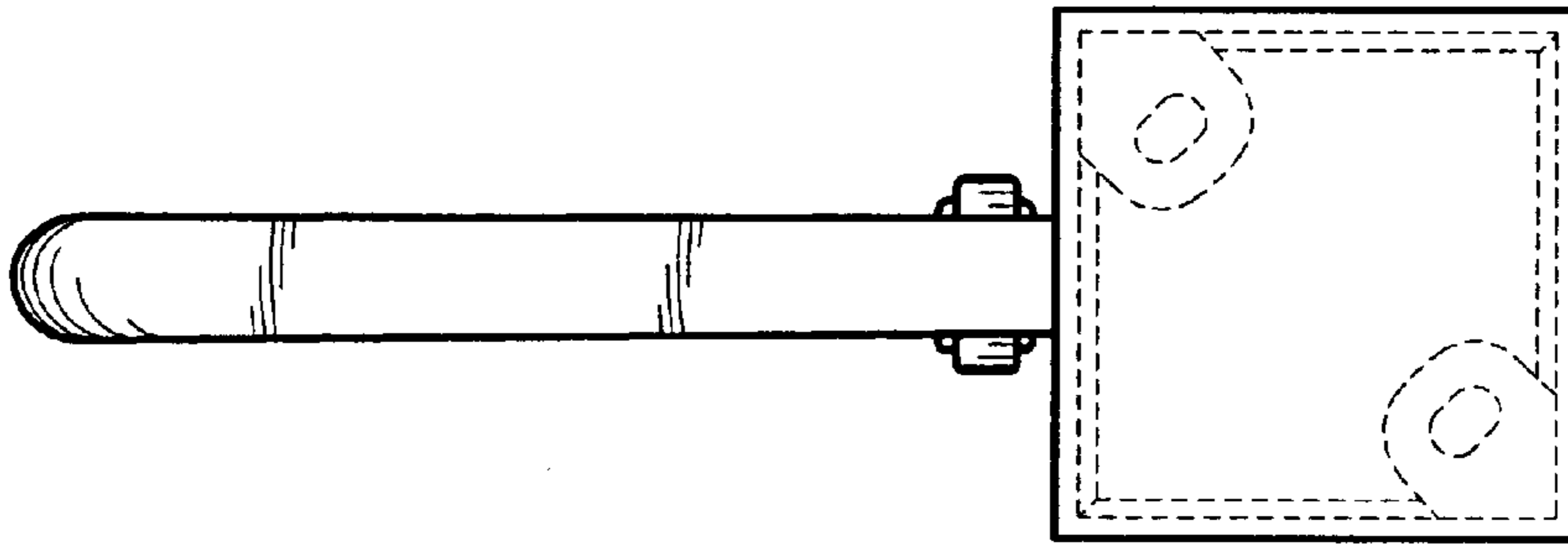


Figure - 7