



US00D477732S

(12) **United States Design Patent**
Hoernig

(10) **Patent No.:** **US D477,732 S**

(45) **Date of Patent:** **** Jul. 29, 2003**

- (54) **SHELF WITH TOWEL BAR**
- (75) Inventor: **Victor Hoernig**, Lowell, IN (US)
- (73) Assignee: **Bath Unlimited, Inc.**, Fort Mill, SC (US)
- (**) Term: **14 Years**
- (21) Appl. No.: **29/166,042**
- (22) Filed: **Aug. 21, 2002**
- (51) **LOC (7) Cl.** **23-02**
- (52) **U.S. Cl.** **D6/527; D6/574; D6/549**
- (58) **Field of Search** D6/546-50, 518-19, D6/522-24; D8/300, 303, 315-21, 354, 363, 373, 380; 108/28-29; 211/13.1, 16, 60.1, 86.01, 87.01, 88.01, 88.04, 100, 105.1-105.2, 119.003, 123, 126.1, 133.6, 134, 181.1, 182; 248/175, 176.1, 200, 214, 251, 302, 309.1; 16/110.1, 412, 415; 242/570, 590, 595-598; 206/389, 557

- D146,280 S * 1/1947 Goddard D6/574
- 3,990,582 A * 11/1976 Schindel 211/105.1
- 4,154,420 A * 5/1979 Mazie et al. 246/251
- D253,503 S * 11/1979 Albert D6/527
- D299,400 S * 1/1989 Fayerman et al. D6/572
- D358,733 S * 5/1995 Paul D6/574
- 6,227,506 B1 * 5/2001 Benedict 211/90.01 X

* cited by examiner

Primary Examiner—Brian N. Vinson
(74) *Attorney, Agent, or Firm*—Edgar A. Zarins; Lloyd D. Doigan

(57) **CLAIM**

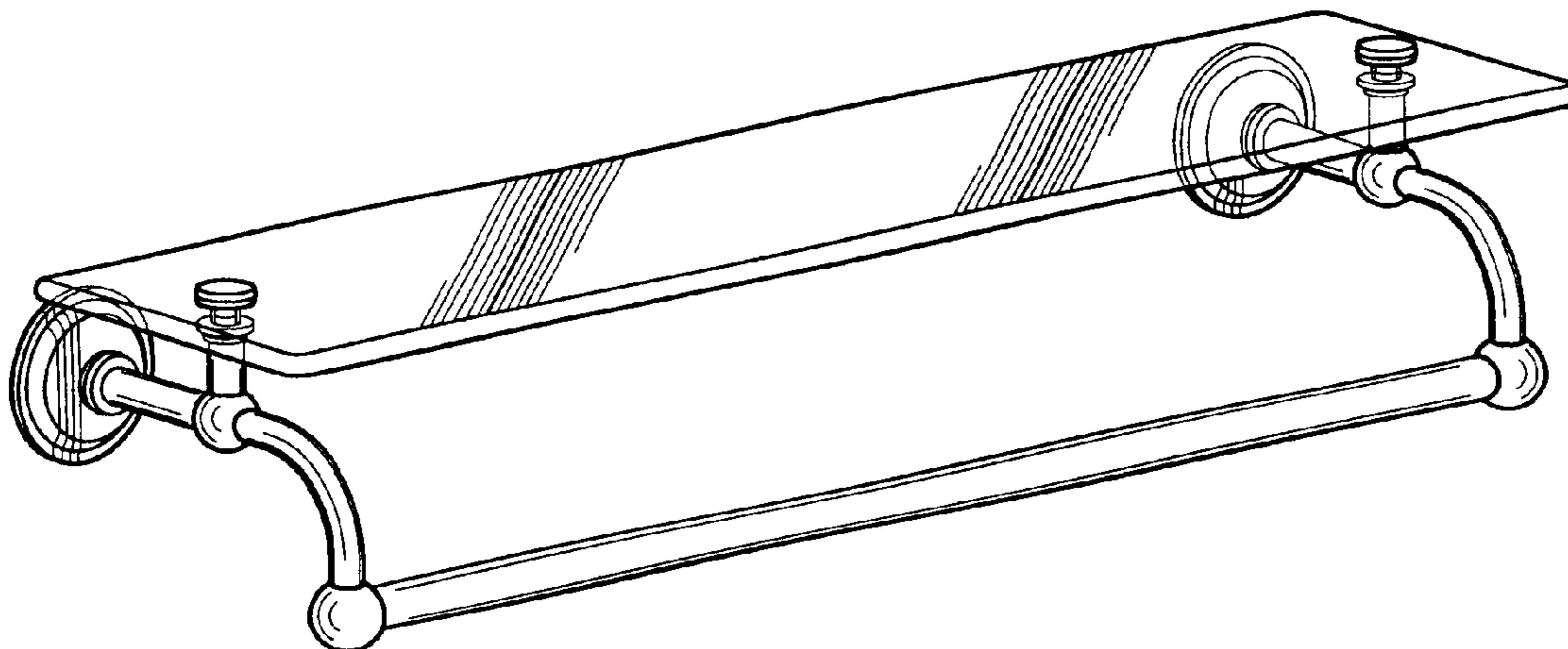
The ornamental design for a shelf with towel bar, as shown and described.

DESCRIPTION

FIG. 1 is a perspective view of a shelf with towel bar showing my new design;
FIG. 2 is a left side view thereof;
FIG. 3 is a front elevational view thereof;
FIG. 4 is a rear view thereof;
FIG. 5 is a top plan view thereof; and,
FIG. 6 is a bottom view thereof.

- (56) **References Cited**
U.S. PATENT DOCUMENTS
1,090,724 A * 3/1914 Koehler 211/87.01

1 Claim, 2 Drawing Sheets



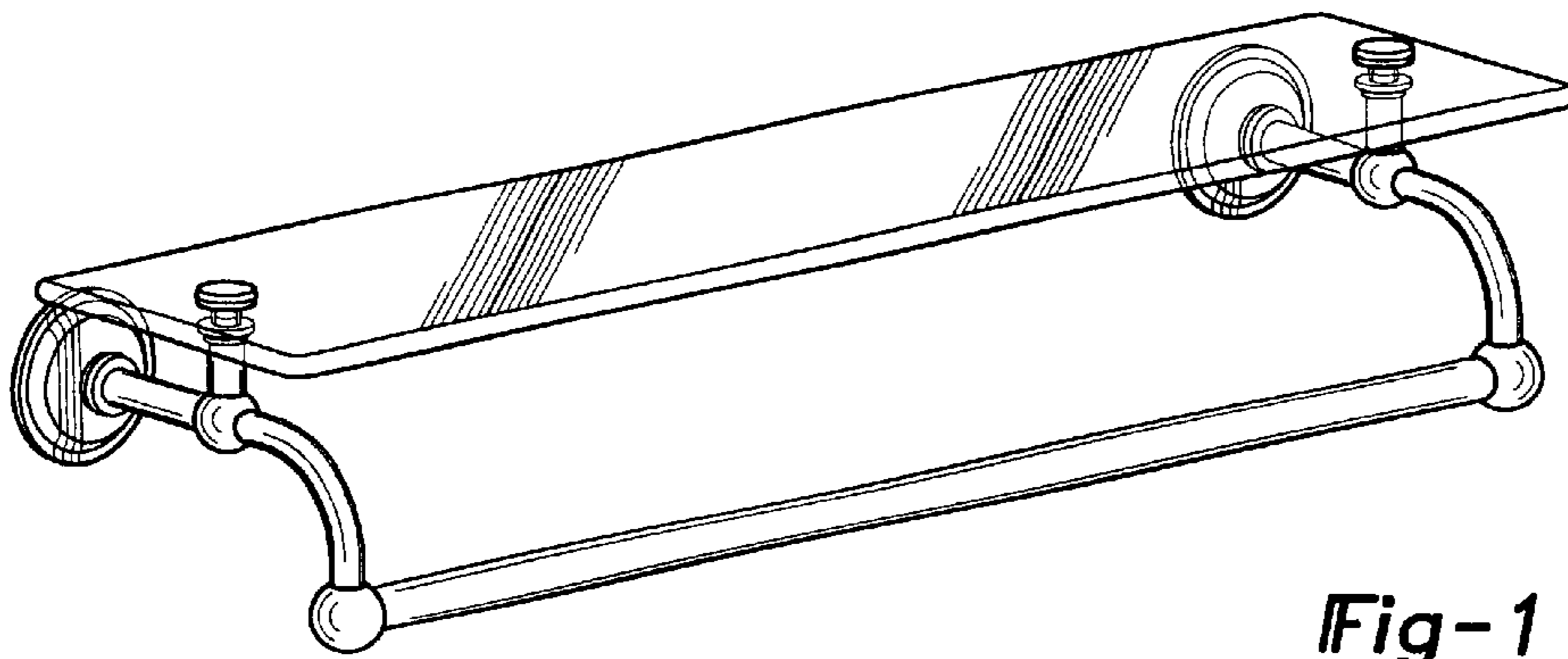


Fig-1

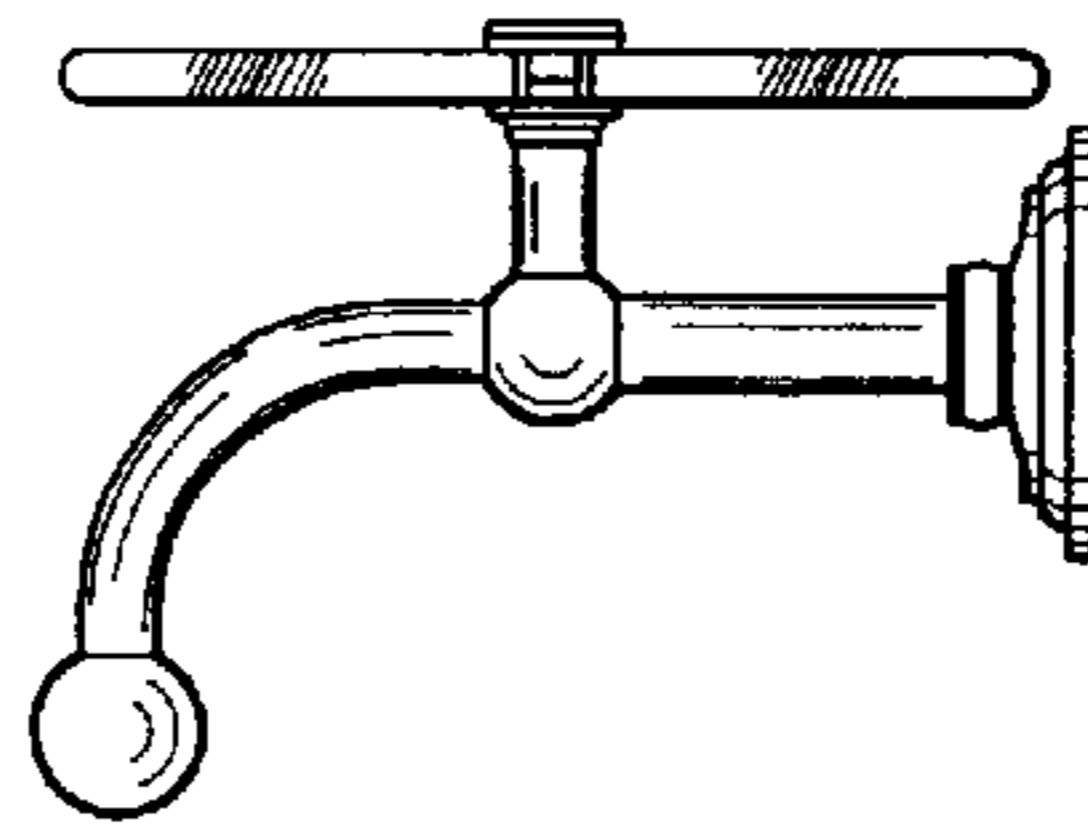


Fig-2

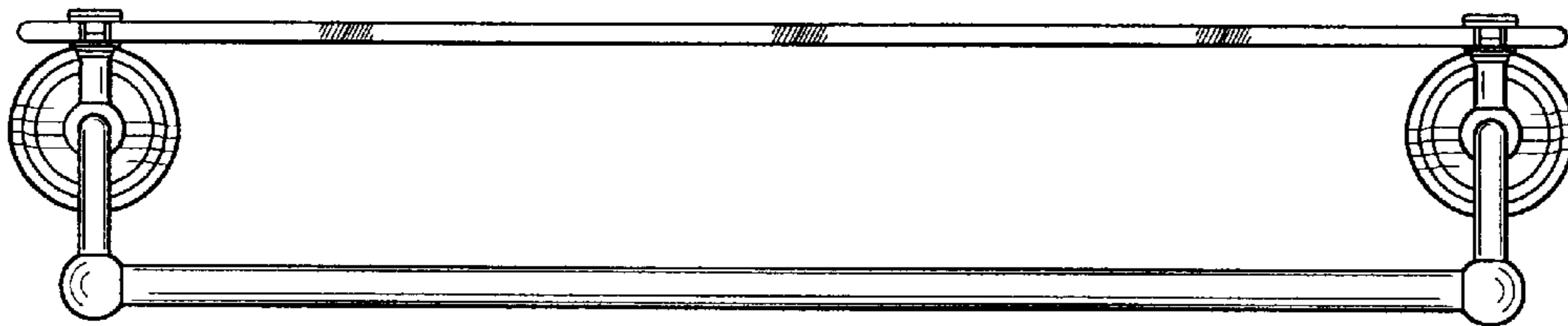


Fig-3

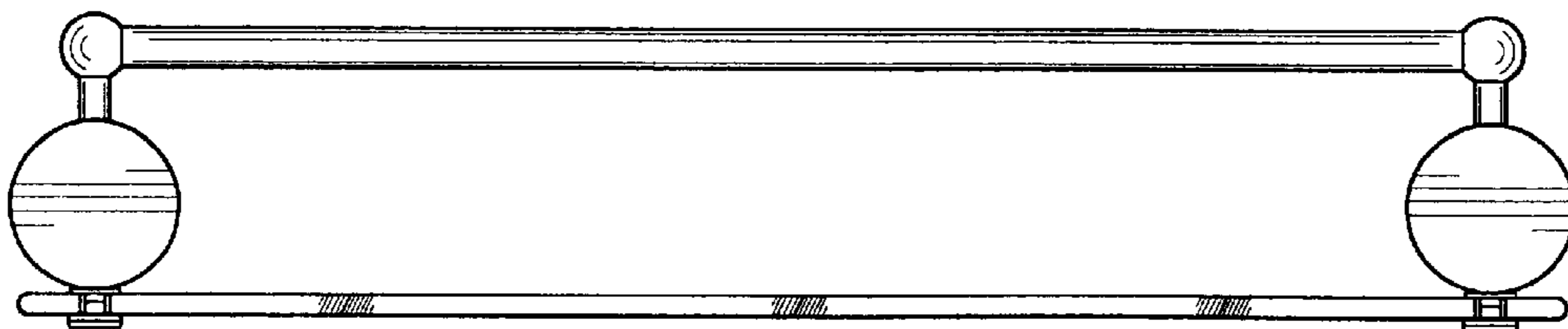


Fig-4

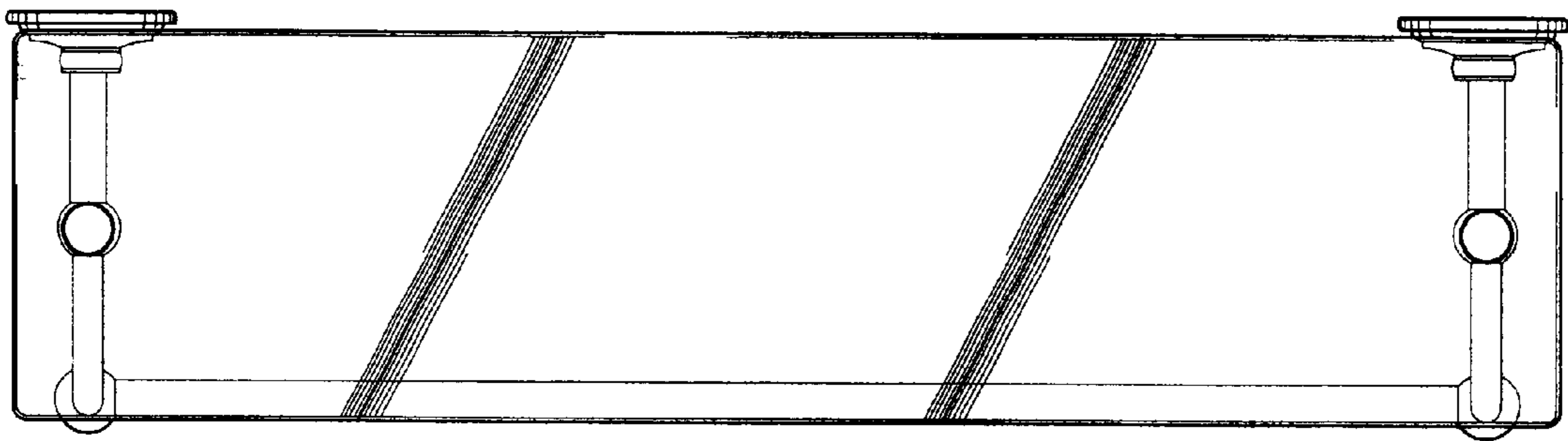


Fig-5

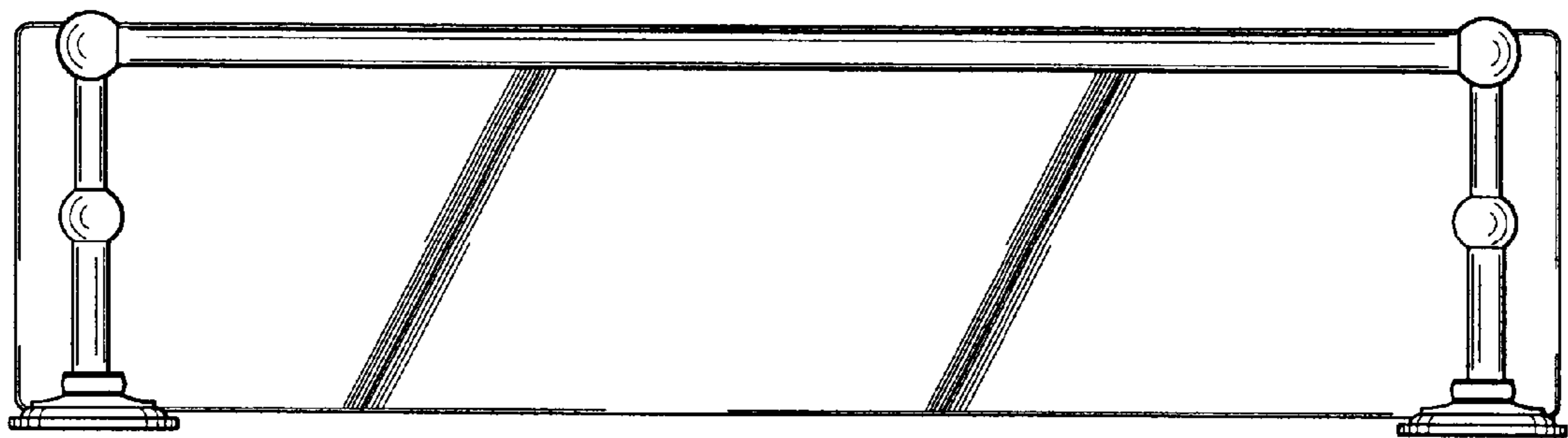


Fig-6