



US00D477731S

(12) **United States Design Patent**
Hoernig

(10) **Patent No.:** **US D477,731 S**

(45) **Date of Patent:** **** Jul. 29, 2003**

(54) **TISSUE HOLDER**

(75) Inventor: **Victor Hoernig**, Lowell, IN (US)

(73) Assignee: **Bath Unlimited, Inc.**, Fort Mill, SC (US)

(**) Term: **14 Years**

(21) Appl. No.: **29/166,066**

(22) Filed: **Aug. 21, 2002**

(51) **LOC (7) Cl.** **23-02**

(52) **U.S. Cl.** **D6/523**

(58) **Field of Search** D6/546-50, 518-19, D6/522-24; D8/300, 303, 307, 315-21, 354, 363, 373, 380; 108/28-29; 211/13.1, 16, 60.1, 86.01, 87.01, 88.01, 88.04, 100, 105.1-105.2, 119.003, 123, 126.1, 133.6, 134, 181.1, 182; 248/175, 176.1, 200, 214, 251, 302, 309.1; 16/110.1, 412, 415; 242/570, 590, 595-598; 206/389, 557

(56) **References Cited**

U.S. PATENT DOCUMENTS

1,069,961	A	*	8/1913	Kuczynski	D6/521	X
2,517,809	A	*	8/1950	Tarzian	242/598.2	
D218,331	S	*	8/1970	Uitz			
3,593,936	A	*	7/1971	Davis	242/597.4	X
3,923,265	A	*	12/1975	Krueger et al.	242/578	

D266,213	S	*	9/1982	Heil	D6/523	
D277,347	S	*	1/1985	Thompson	D6/523	
4,741,486	A	*	5/1988	Ancona et al.	242/597.4	
4,824,038	A	*	4/1989	Chandler	242/598.2	
D304,402	S	*	11/1989	Hoose	D6/523	
D446,979	S	*	8/2001	Schultz et al.	D6/522	
D454,456	S	*	3/2002	Meck et al.	D6/523	
D455,587	S	*	4/2002	Ou-Young	D6/523	
D466,351	S	*	12/2002	Tai	D6/550	

* cited by examiner

Primary Examiner—Brian N. Vinson

(74) *Attorney, Agent, or Firm*—Edgar A. Zarins; Lloyd D. Doigan

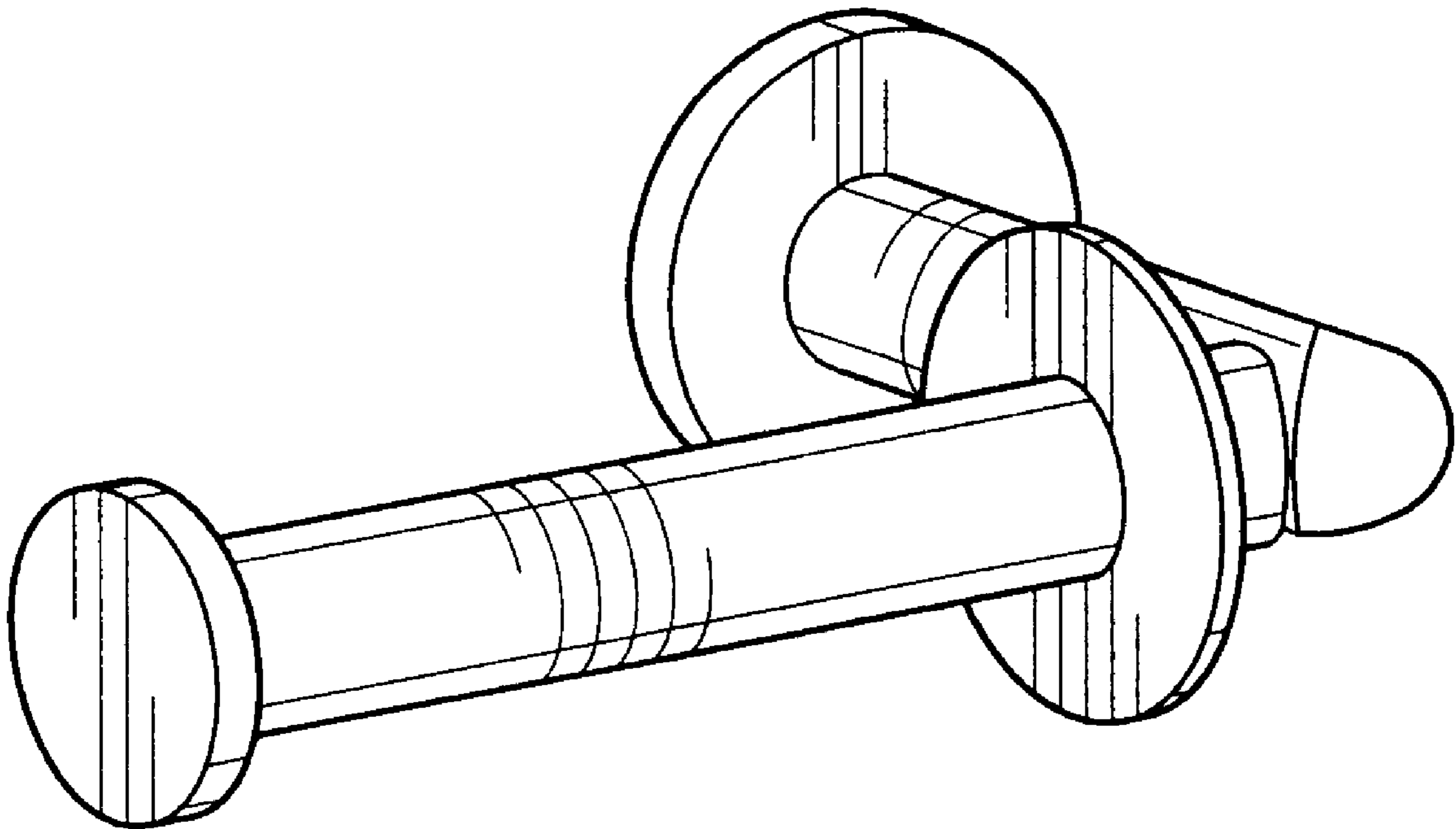
(57) **CLAIM**

The ornamental design for a tissue holder, as shown and described.

DESCRIPTION

FIG. 1 is a perspective view of a tissue holder showing my new design;
FIG. 2 is a top plan view thereof;
FIG. 3 is a front elevational view thereof;
FIG. 4 is a bottom view thereof;
FIG. 5 is a rear view thereof;
FIG. 6 is a right end view thereof; and,
FIG. 7 is a left end view thereof.

1 Claim, 2 Drawing Sheets



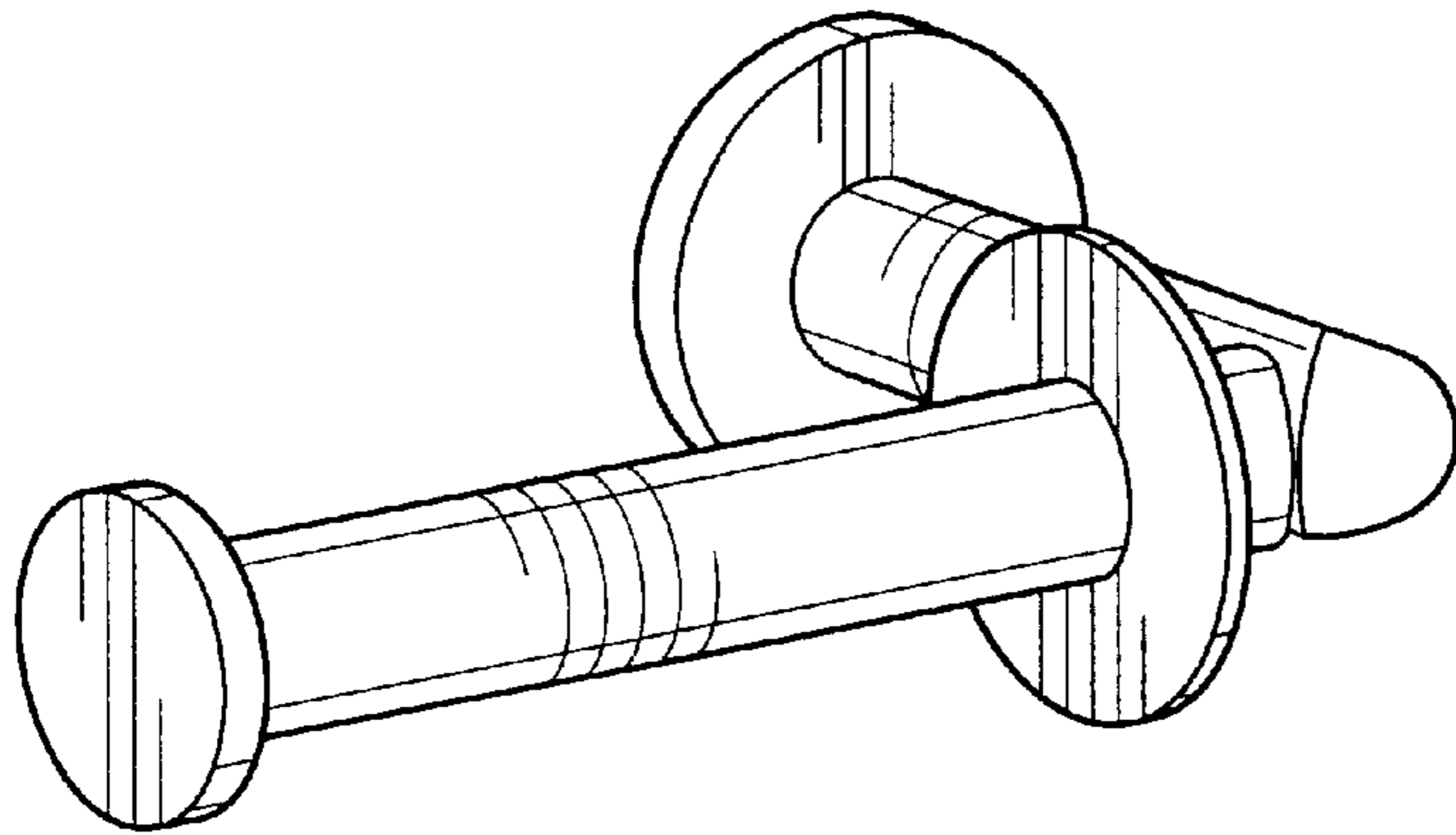


Fig-1

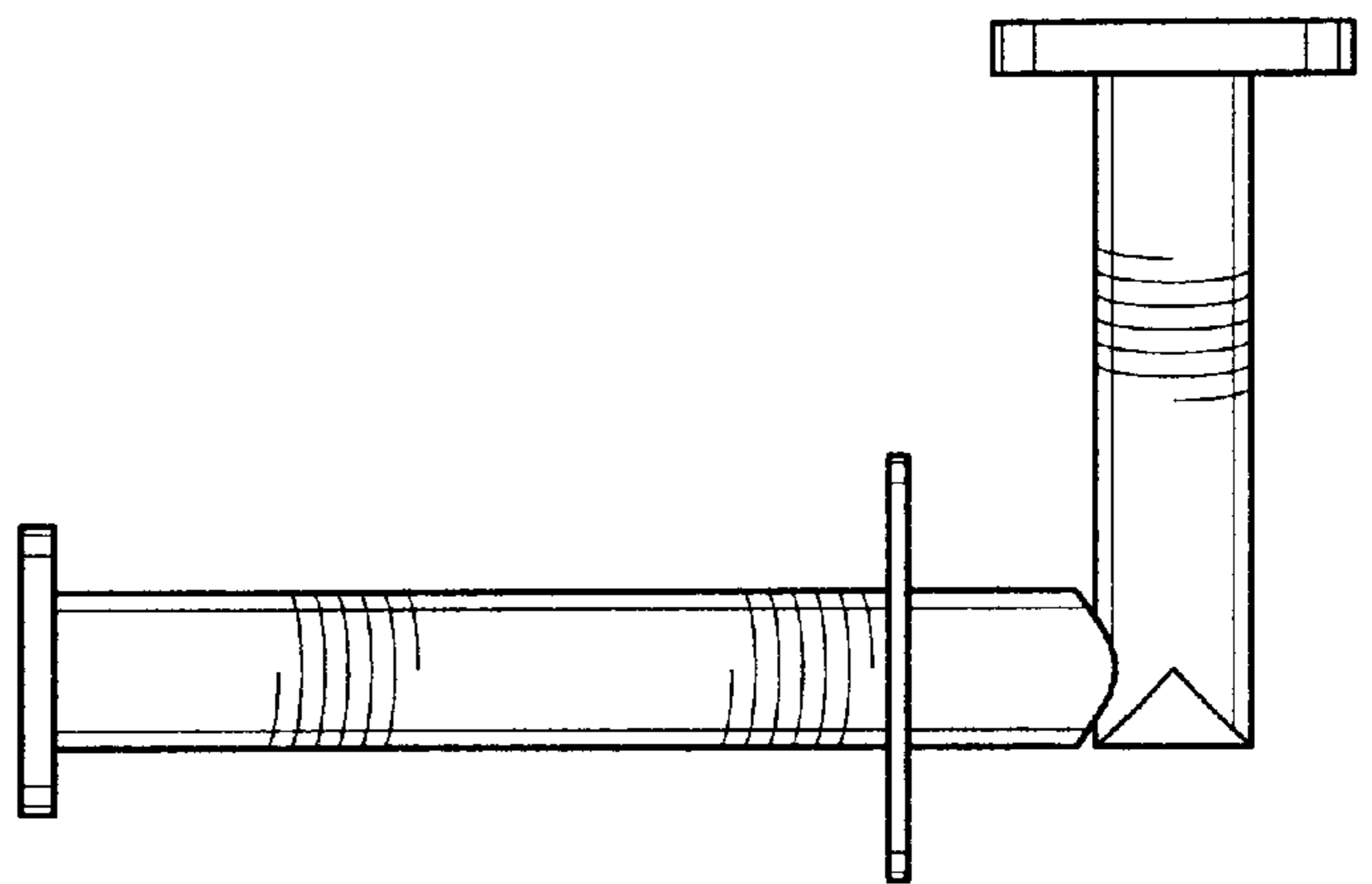


Fig-2

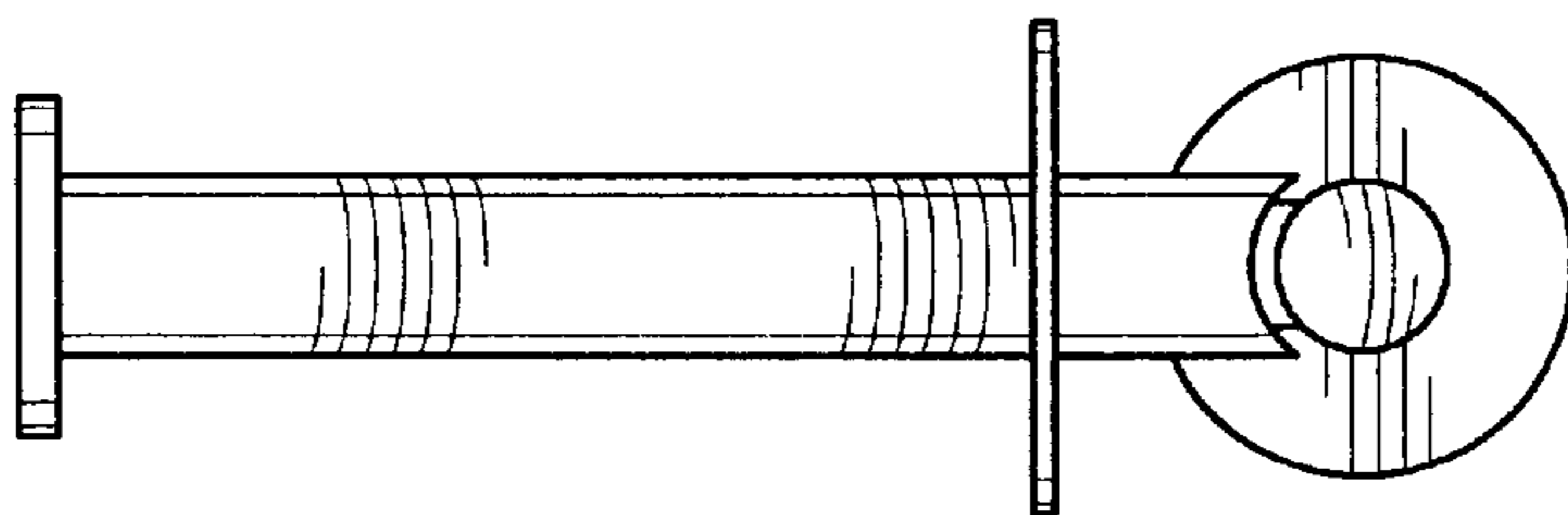


Fig-3

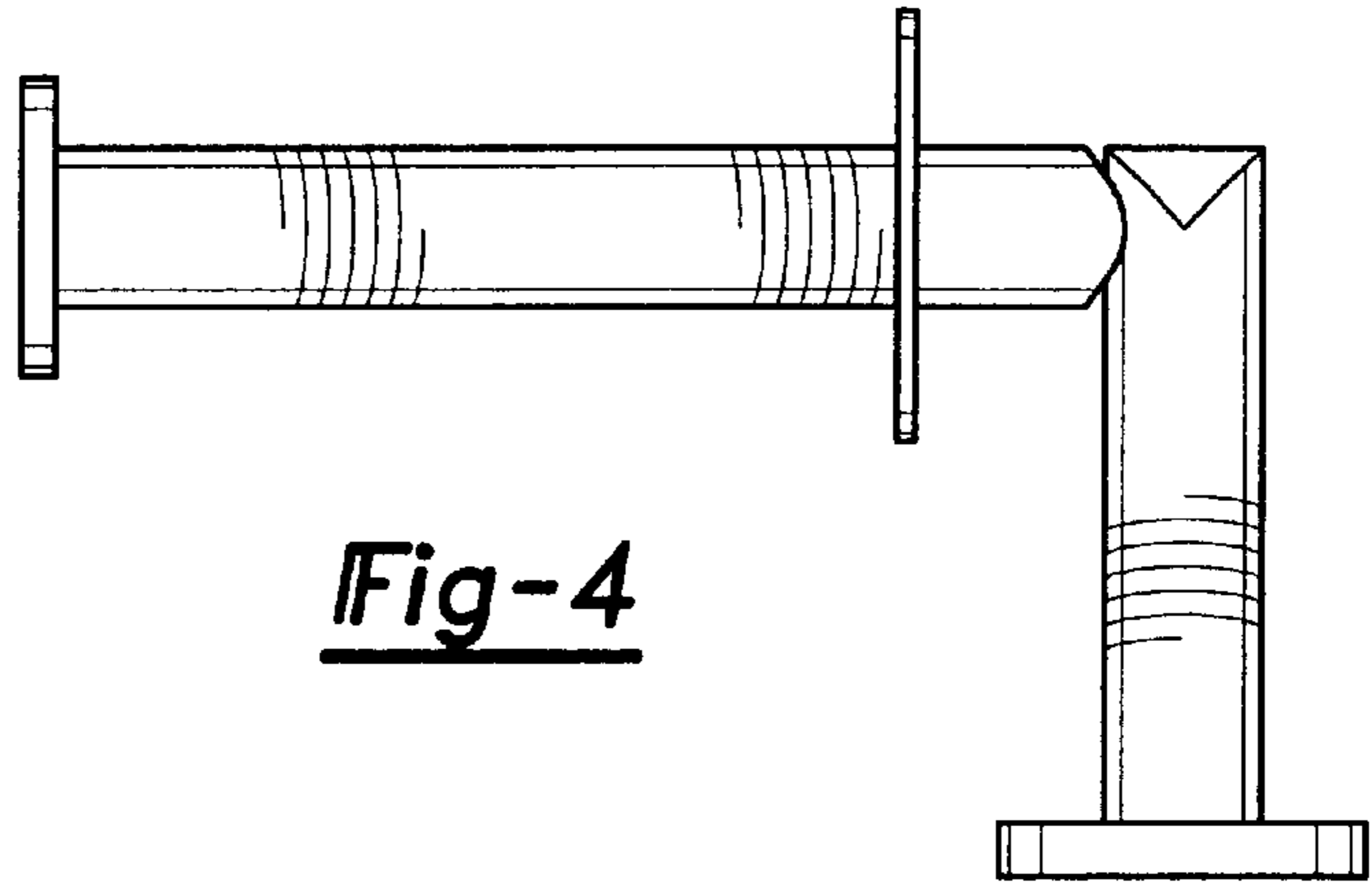


Fig-4

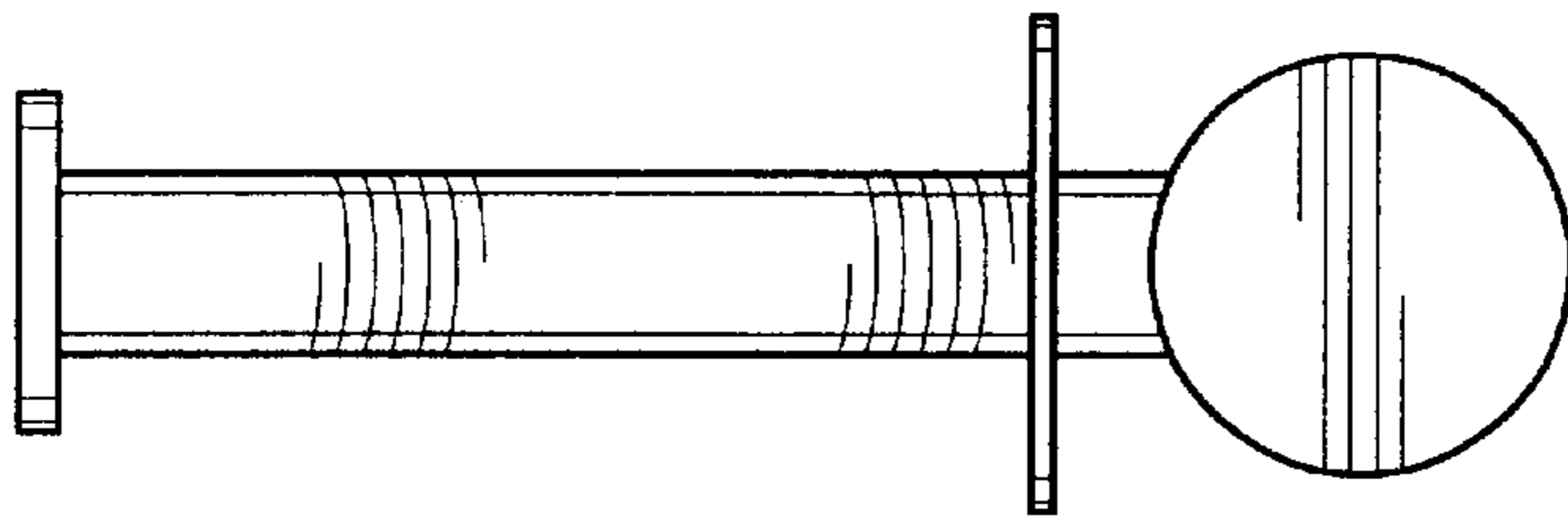


Fig-5

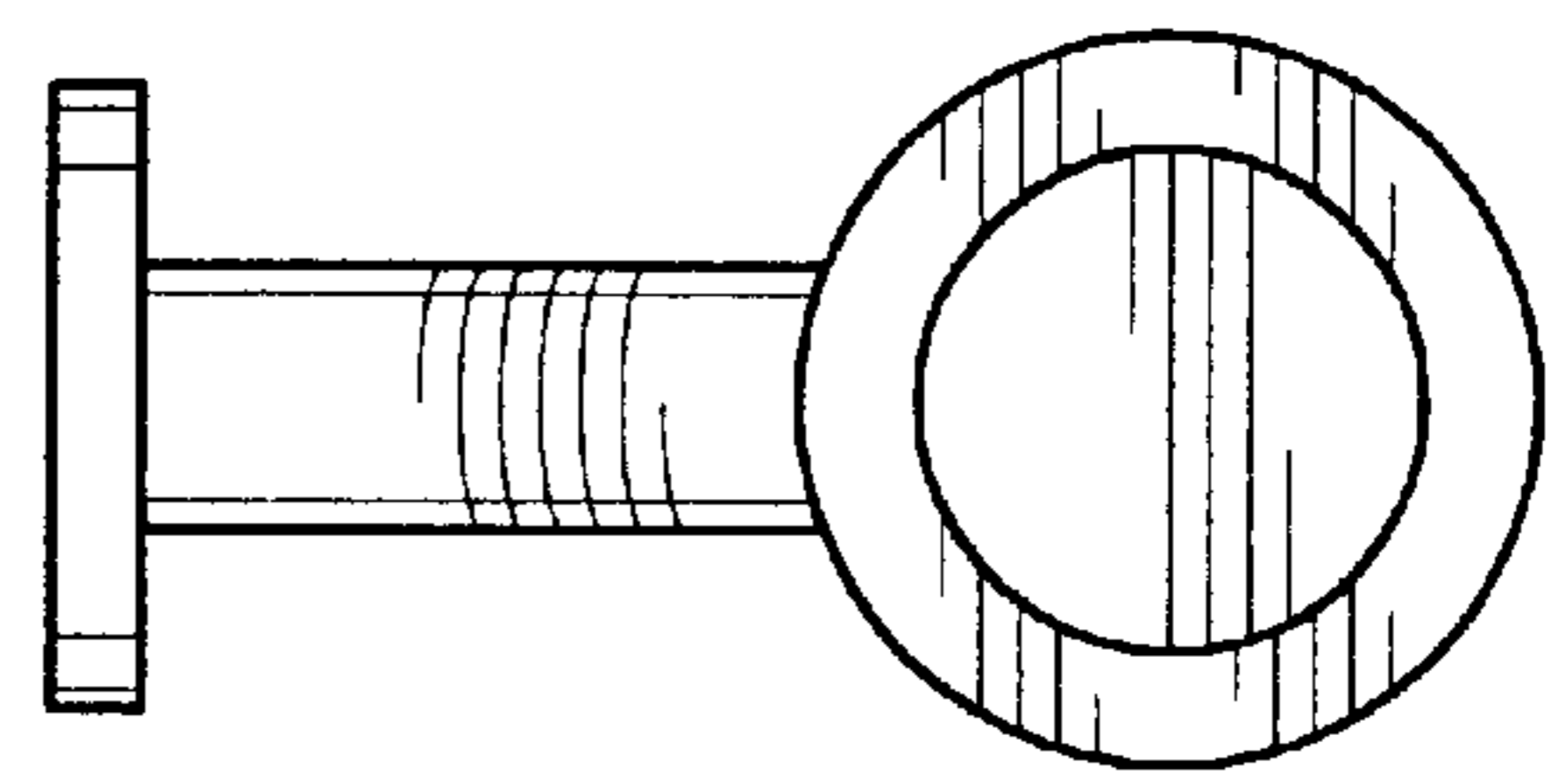


Fig-6

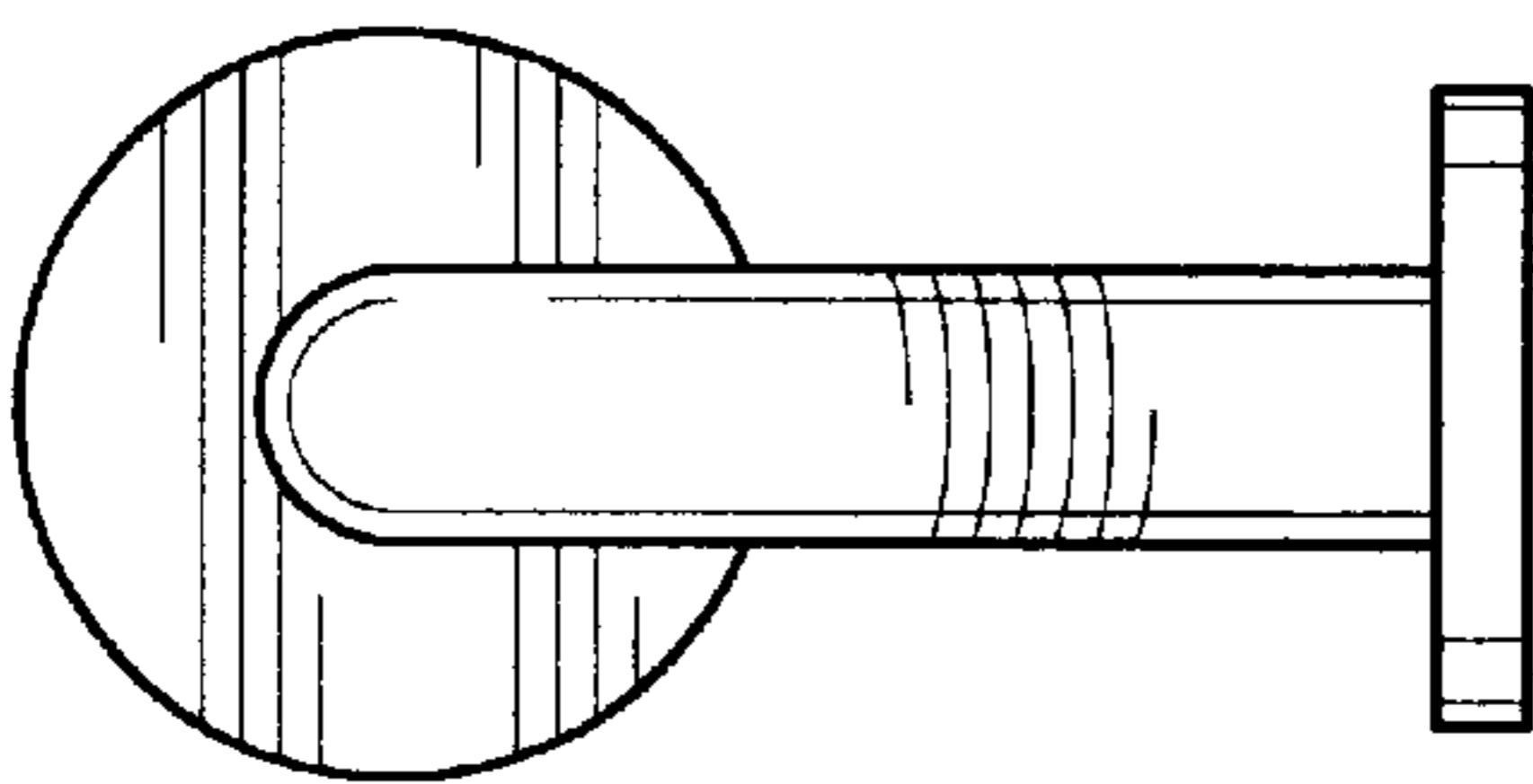


Fig-7