



US00D47726S

(12) **United States Design Patent** (10) **Patent No.:** **US D477,726 S**
Day (45) **Date of Patent:** **** Jul. 29, 2003**

(54) **STORAGE UNIT ASSEMBLY**

(75) Inventor: **Paul Francis Day**, Chipstead (GB)

(73) Assignee: **Advanced Biotechnologies Limited**
(GB)

(**) Term: **14 Years**

(21) Appl. No.: **29/141,553**

(22) Filed: **May 8, 2001**

(30) **Foreign Application Priority Data**

Nov. 9, 2000 (GB) 2097228

(51) **LOC (7) Cl.** **06-04**

(52) **U.S. Cl.** **D6/445; D6/630; D6/446**

(58) **Field of Search** D6/396, 407, 630,
D6/631, 632, 627, 628, 629, 445, 446,
449, 455, 457, 467, 468, 479; 211/13.1,
49.1, 50, 58, 78, 85.26, 126.1, 126.14,
126.15, 131.1, 163

(56) **References Cited**

U.S. PATENT DOCUMENTS

954,793	A	*	4/1910	Graham	211/39
3,069,213	A	*	12/1962	Azzarri	312/9.48
4,531,645	A	*	7/1985	Tisbo et al.	211/131.1
D304,981	S	*	12/1989	Raskas	D6/479
4,932,522	A	*	6/1990	Milovich	206/308.1
D387,943	S	*	12/1997	Fink	D6/630
D400,587	S	*	11/1998	Stravitz	D19/75
D408,654	S	*	4/1999	Liberto	D6/457
D419,026	S	*	1/2000	Hori et al.	D6/630
D450,971	S	*	11/2001	Lee	D6/630

* cited by examiner

Primary Examiner—Cathron C. Brooks

(74) *Attorney, Agent, or Firm*—Wood, Herron & Evans
LLP

(57) **CLAIM**

The ornamental design for a storage unit assembly, as shown and described.

DESCRIPTION

FIG. 1 is a front elevational view of a storage unit assembly, comprising plural stacked tray modules, consistent with the present invention, with the top handle extended upwardly, the right side handle extended outwardly, and the left side handle unextended.

FIG. 2 is a right side elevational view of the storage unit assembly of FIG. 1, with the right side handle extended.

FIG. 3 is a top plan view of the storage unit assembly of FIG. 1, with the top handle extended.

FIG. 4 is a bottom plan view of the storage unit assembly of FIG. 1.

FIG. 5 is a top plan view of a tray module for use in the storage unit assembly of FIG. 1 and shown separately for completeness of illustration.

FIG. 6 is a side elevational view of the tray module of FIG. 5, with the other side being a mirror image thereof.

FIG. 7 is a rear end elevational view of the tray module of FIG. 5.

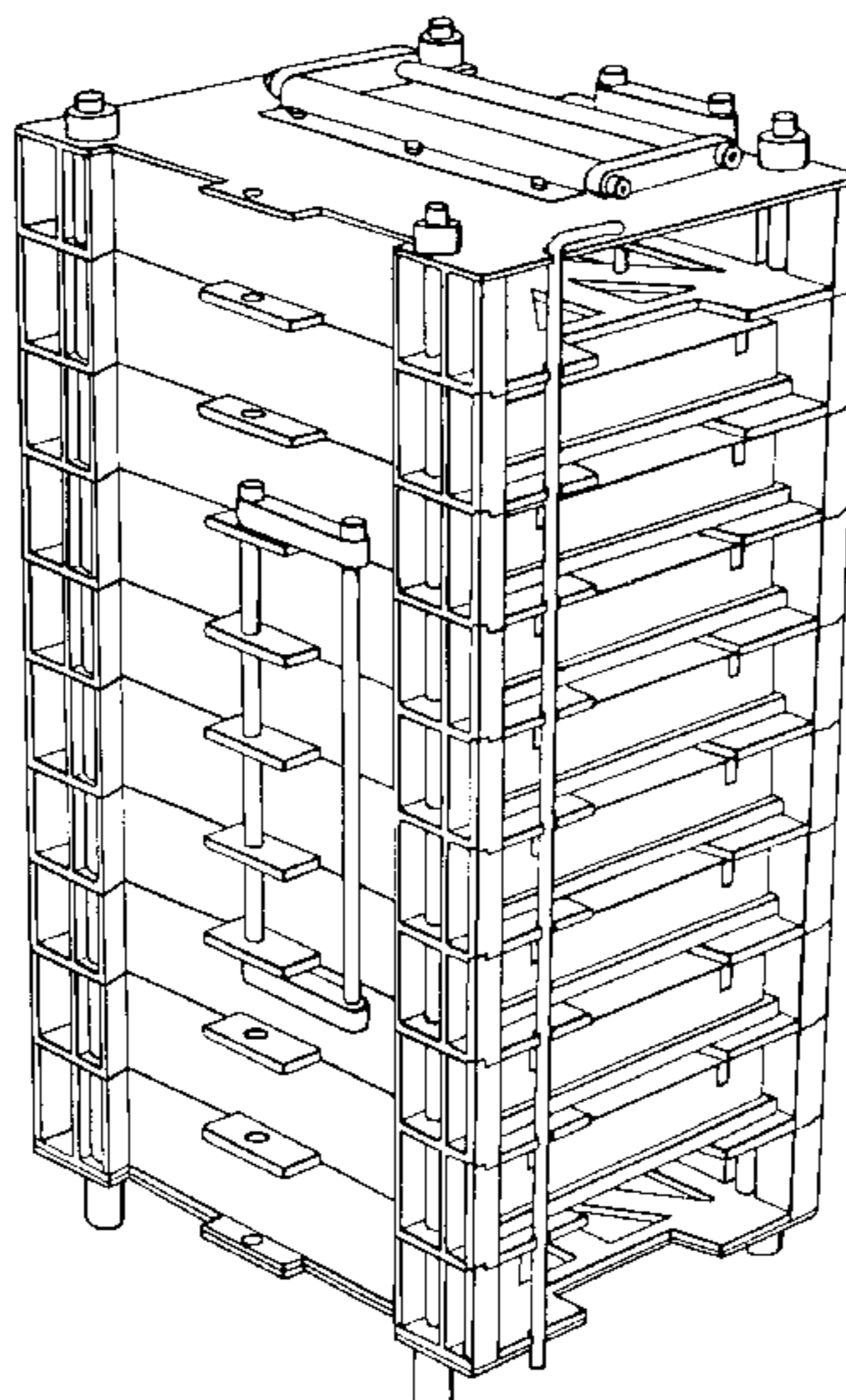
FIG. 8 is a perspective view from the top left of the storage unit assembly of FIG. 1, showing the left and right side handles unextended, and the top handle unextended, and showing the trays removed for completeness of illustration.

FIG. 9 is a perspective view from the top left of the storage unit assembly of FIG. 1 with all but the top and bottom tray modules occupied and with the right and left side handles and the top handle all unextended.

FIG. 10 is a perspective view from the rear right of the storage unit assembly of FIG. 1, with the right side and top handles unextended; and,

FIG. 11 is a frontal perspective view of the storage unit assembly of FIG. 8 with right and left side handles extended, and the top handle unextended.

1 Claim, 6 Drawing Sheets



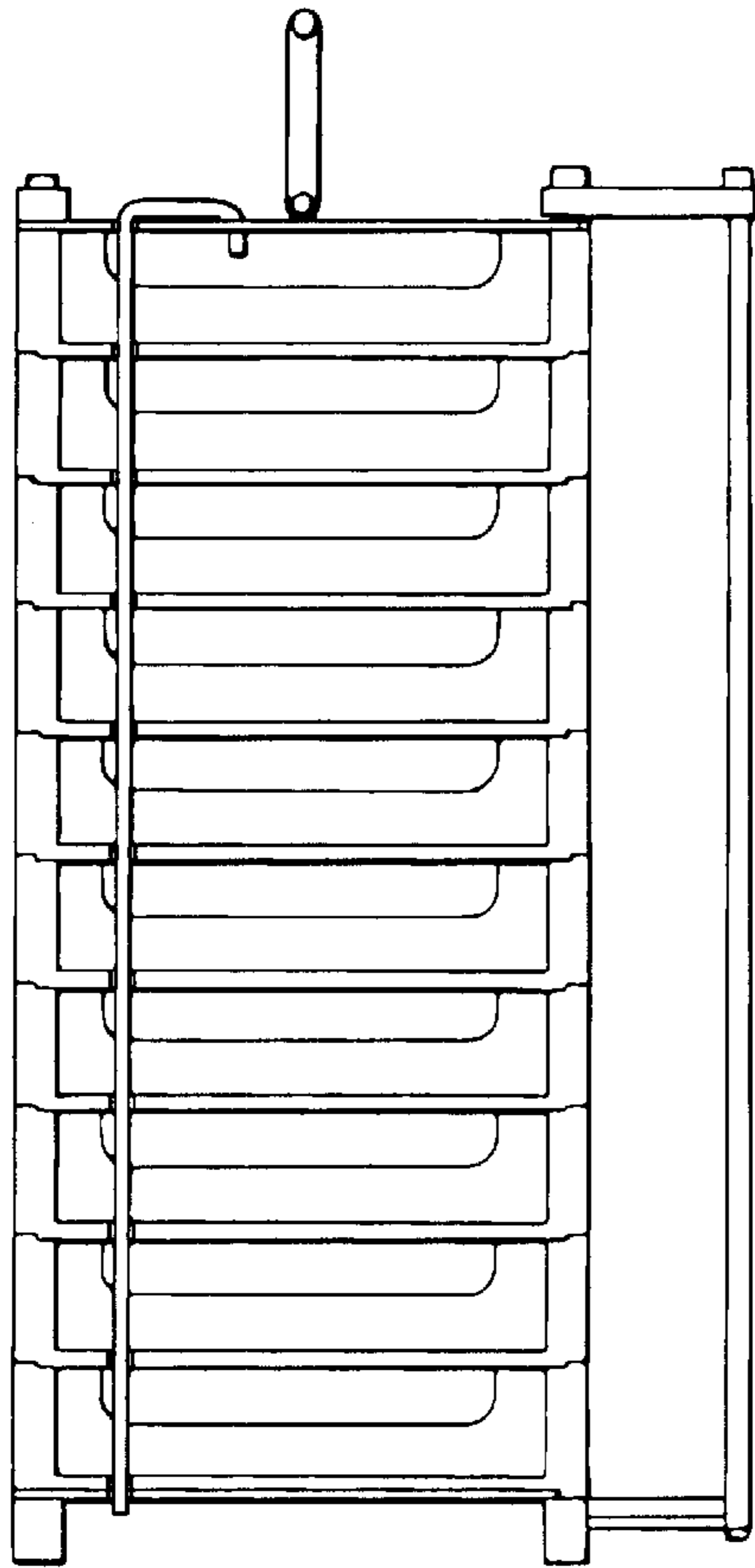


Fig.1.

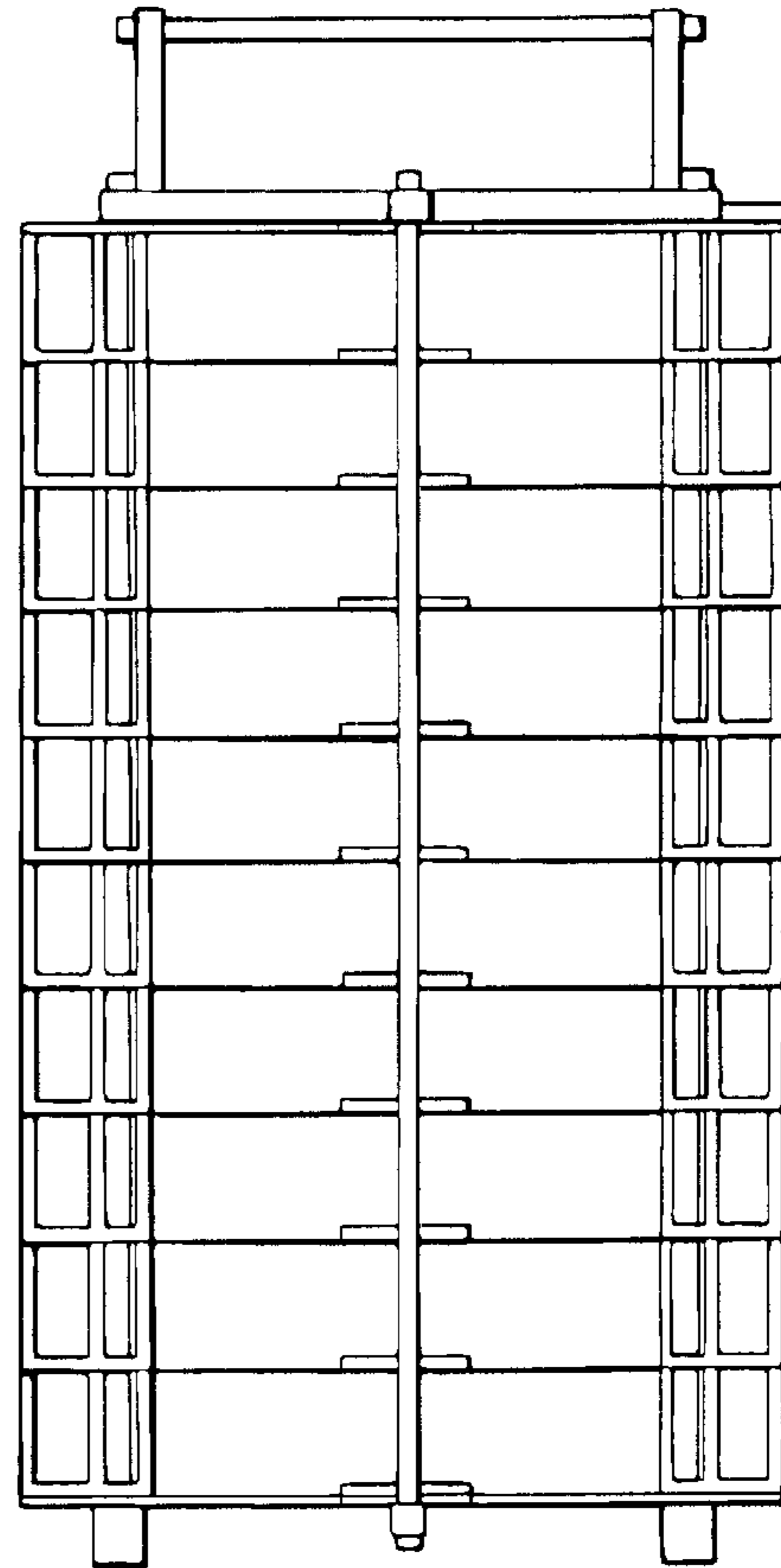


Fig.2.

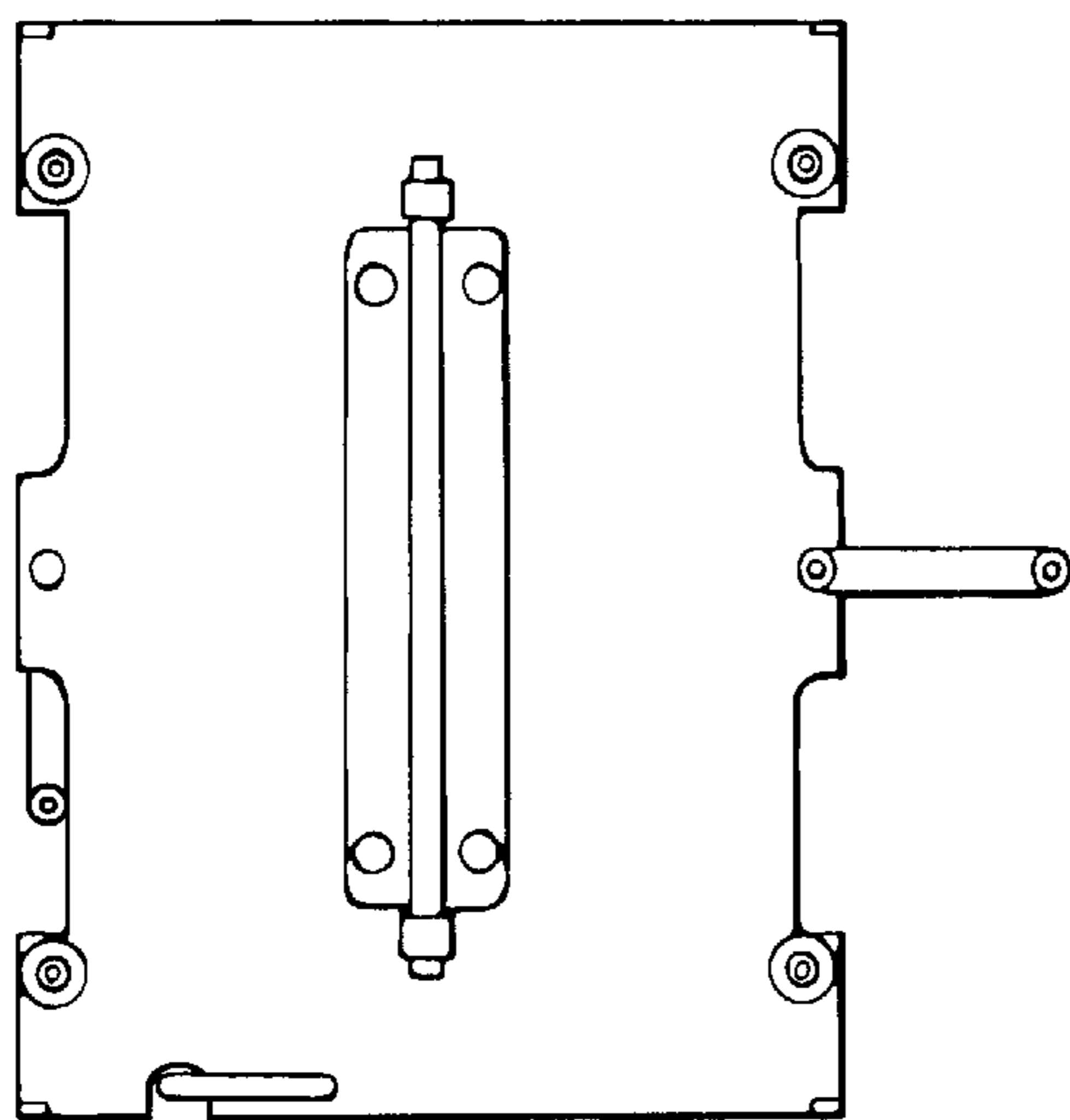


Fig.3.

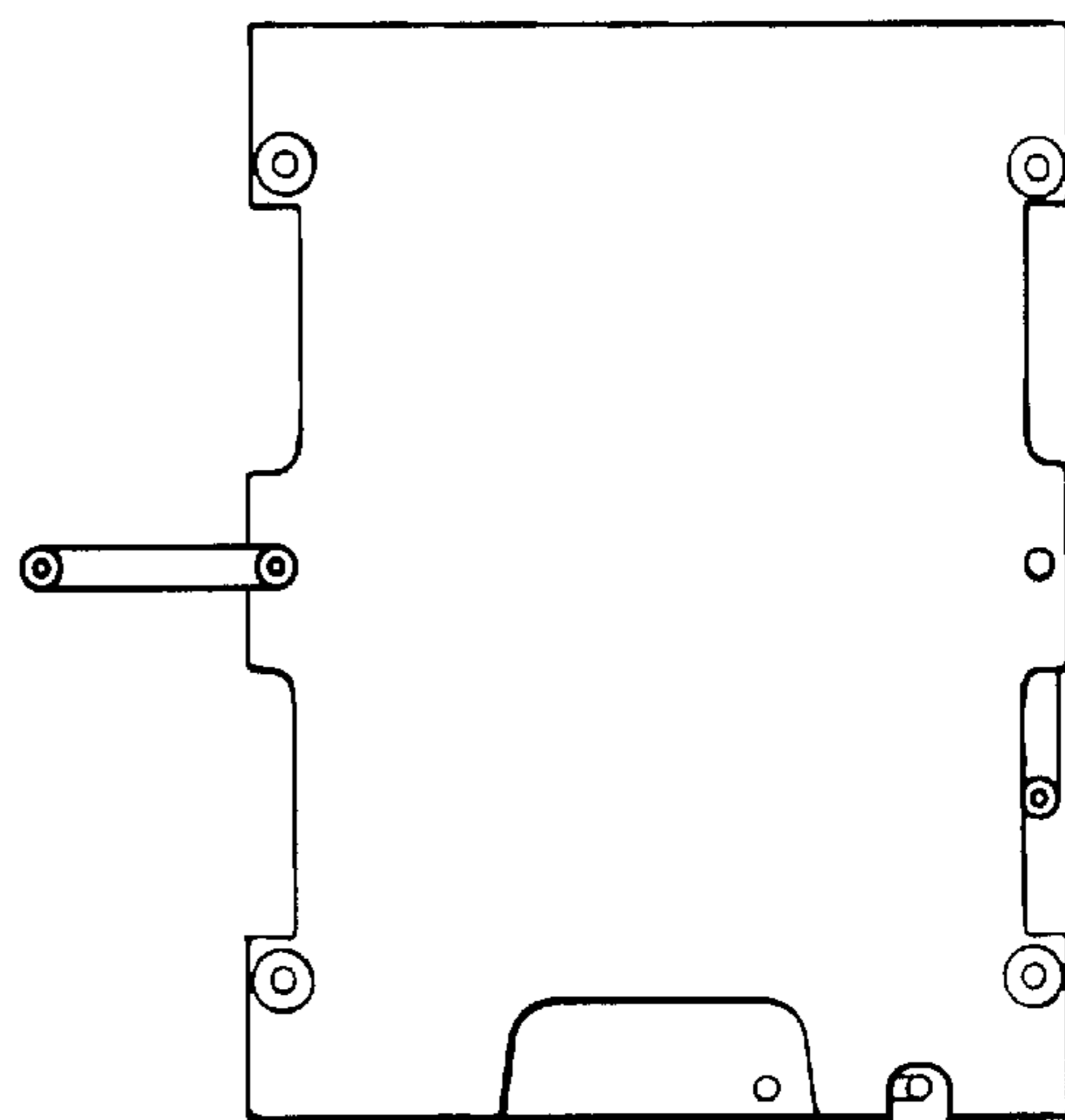


Fig.4.

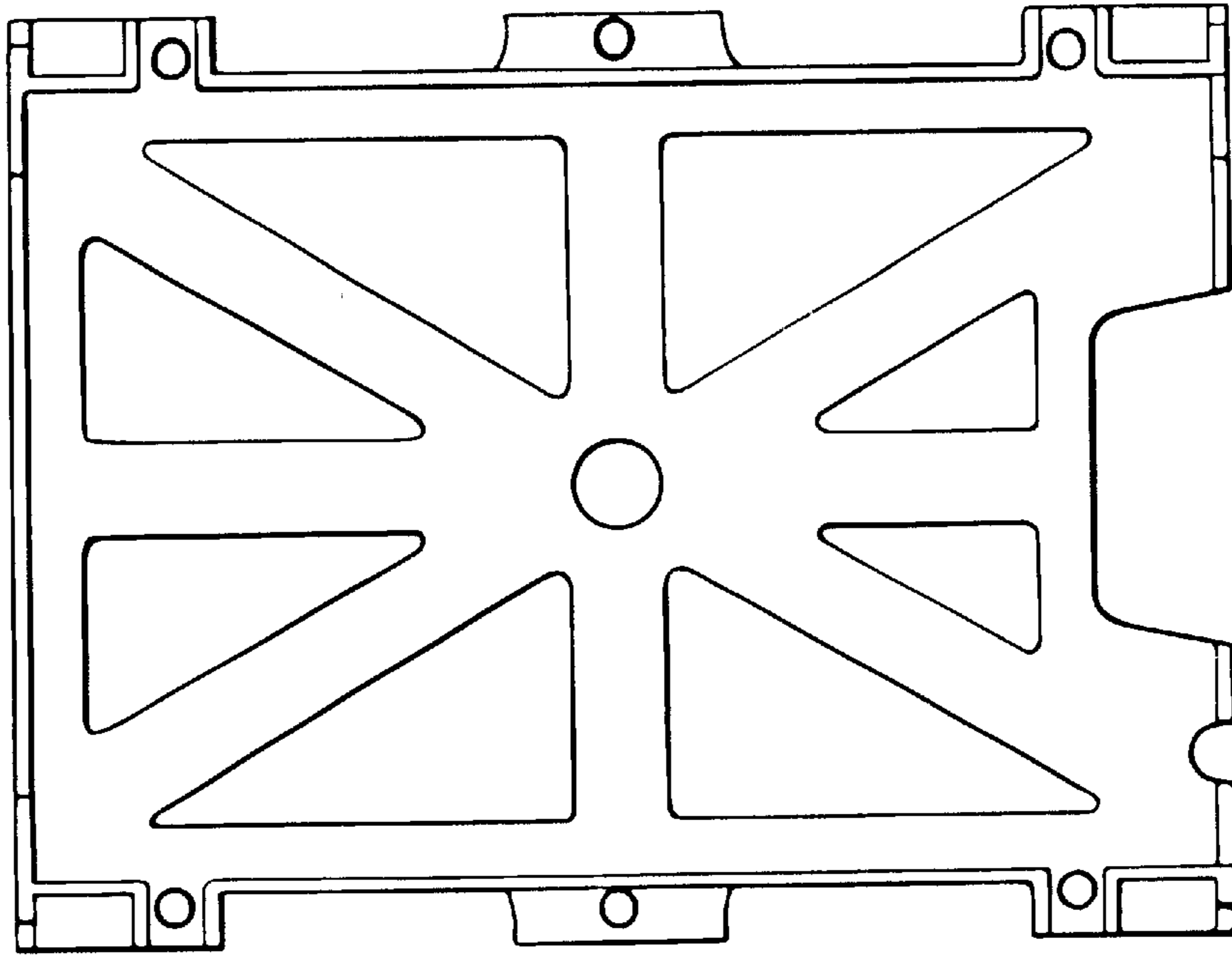


Fig.5.

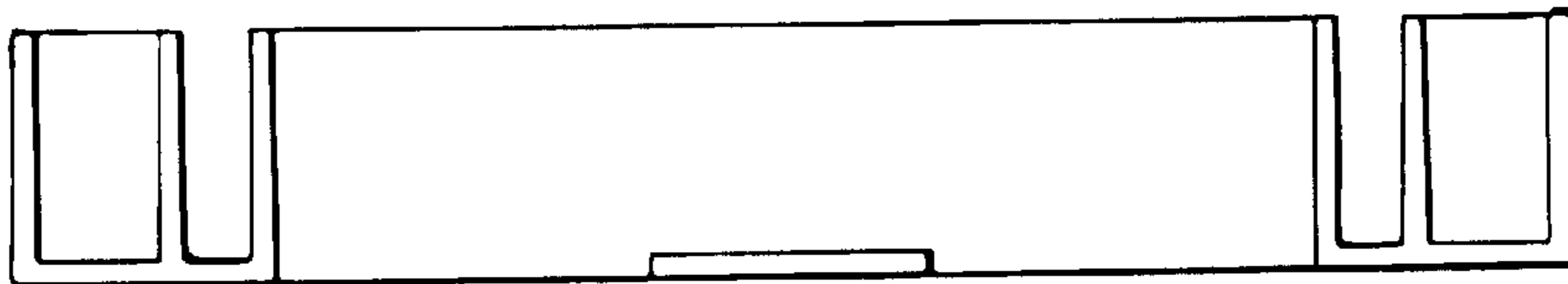


Fig.6.

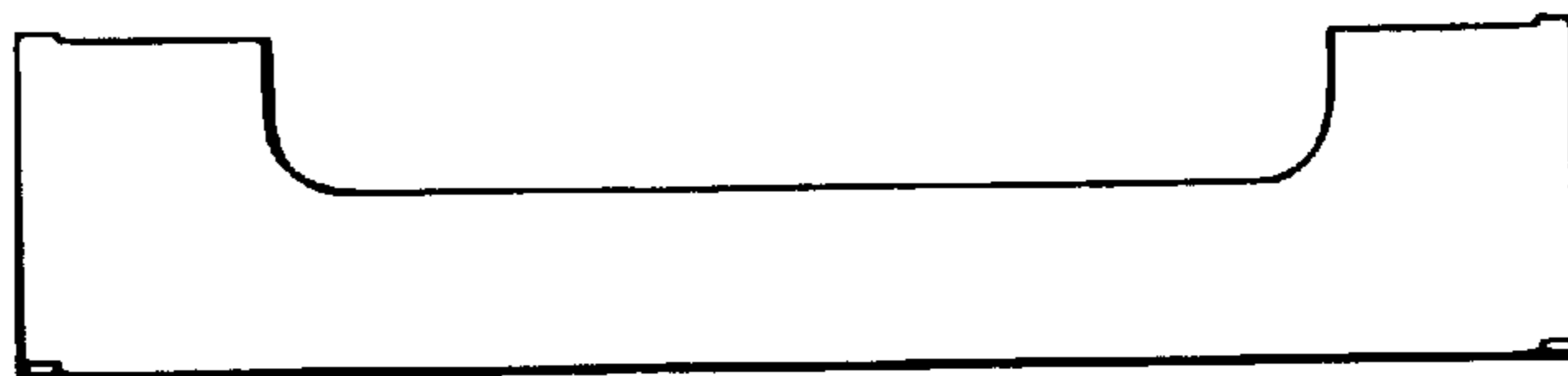


Fig.7.

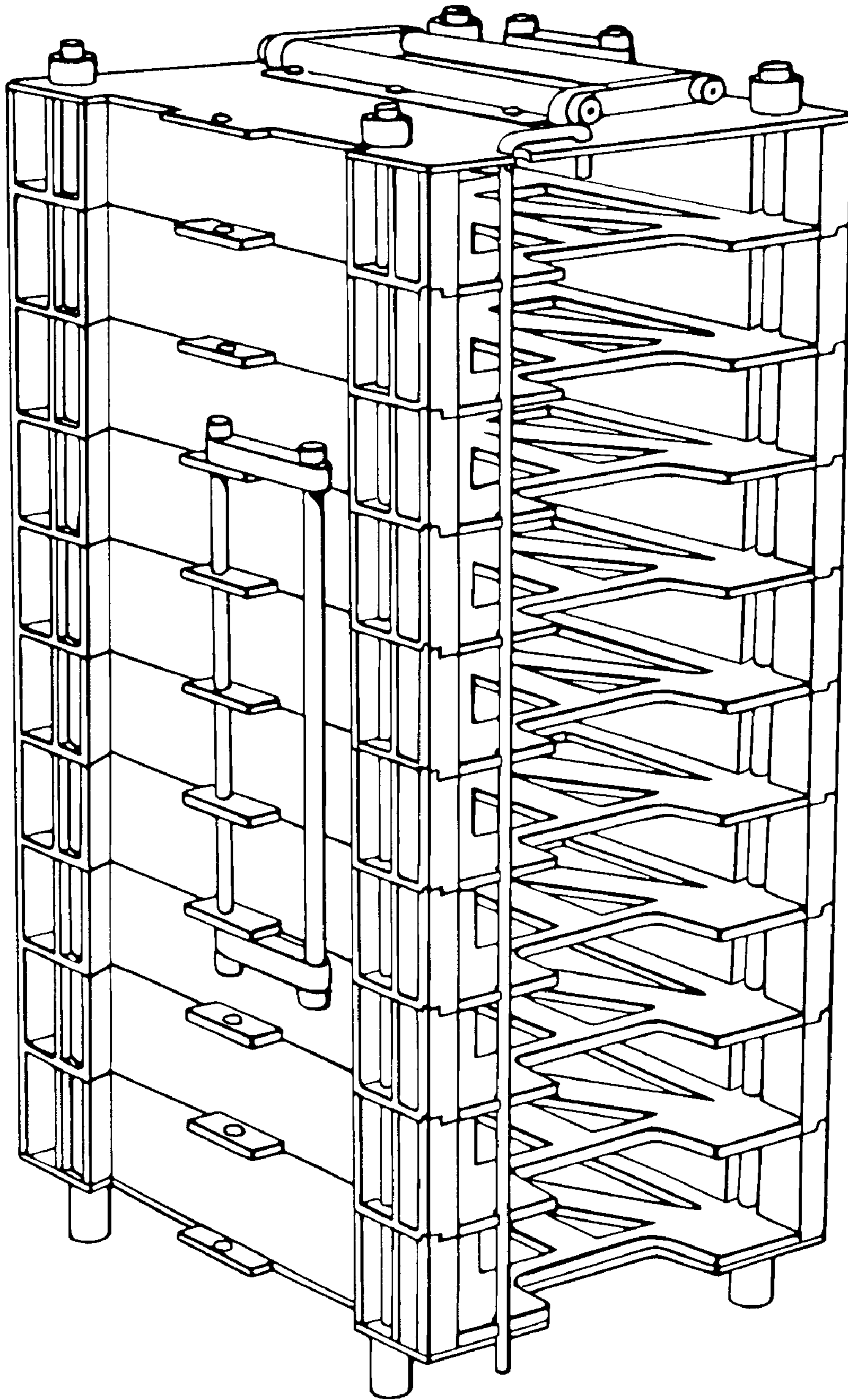


Fig.8.

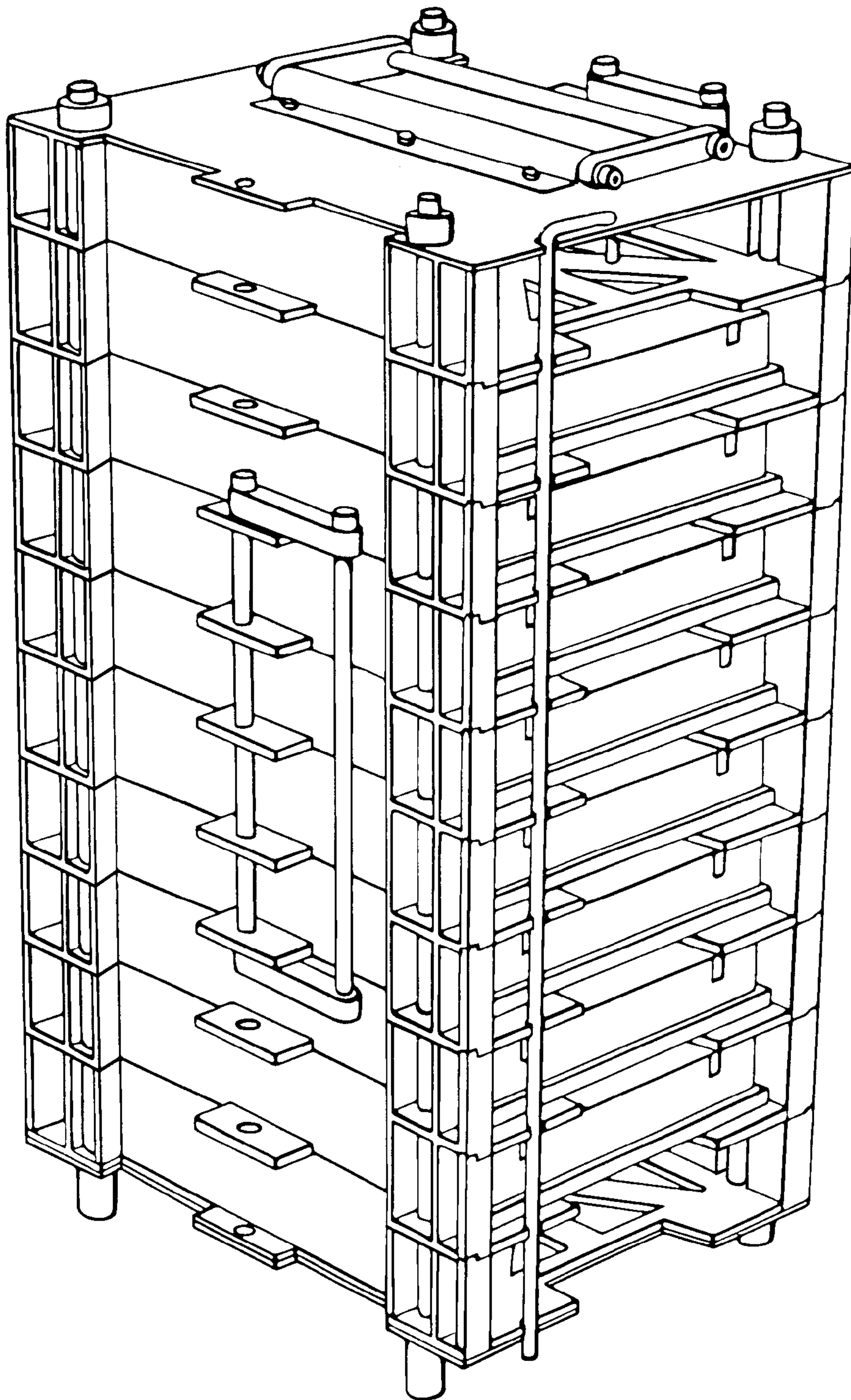


Fig.9.

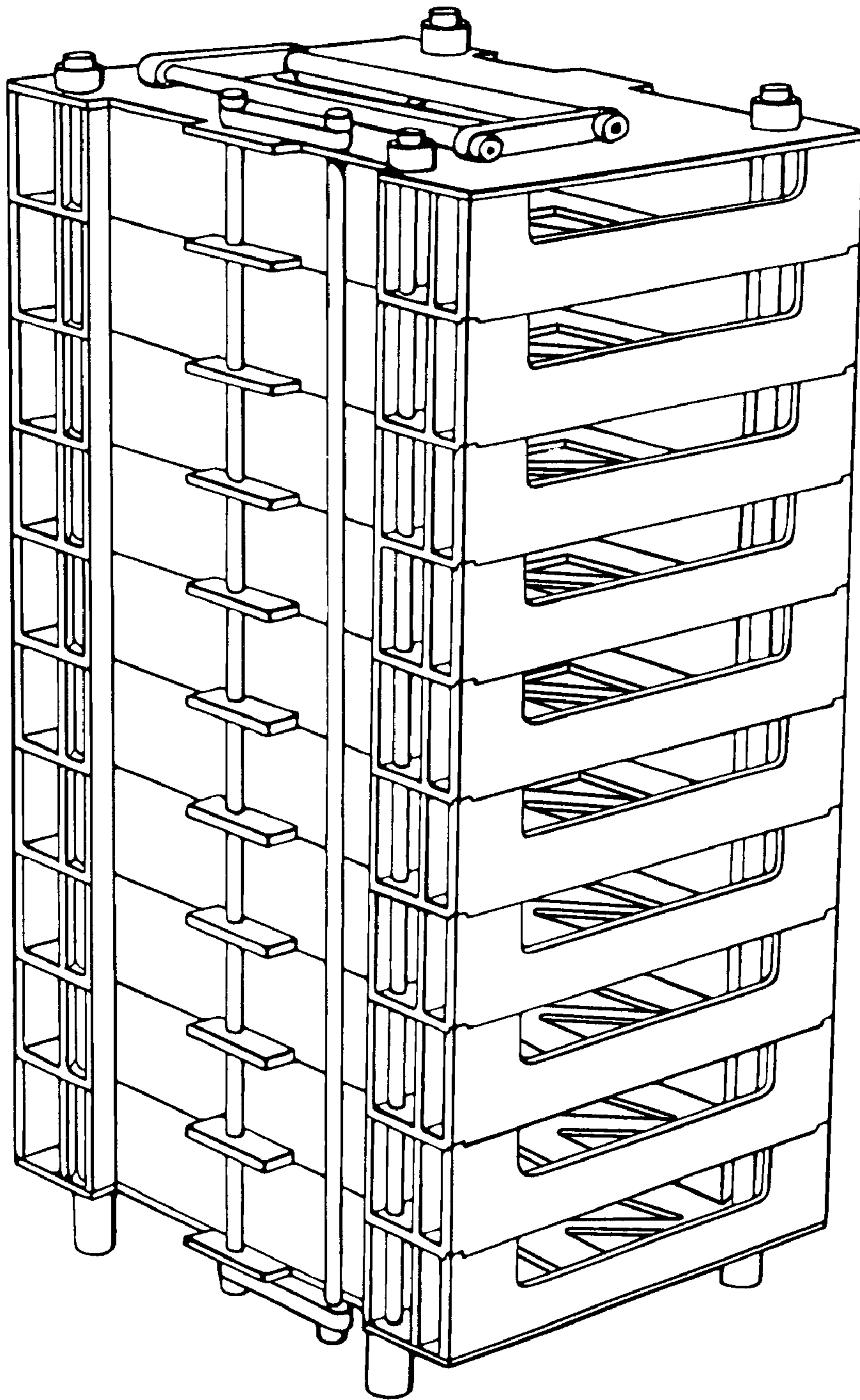


Fig. 10.

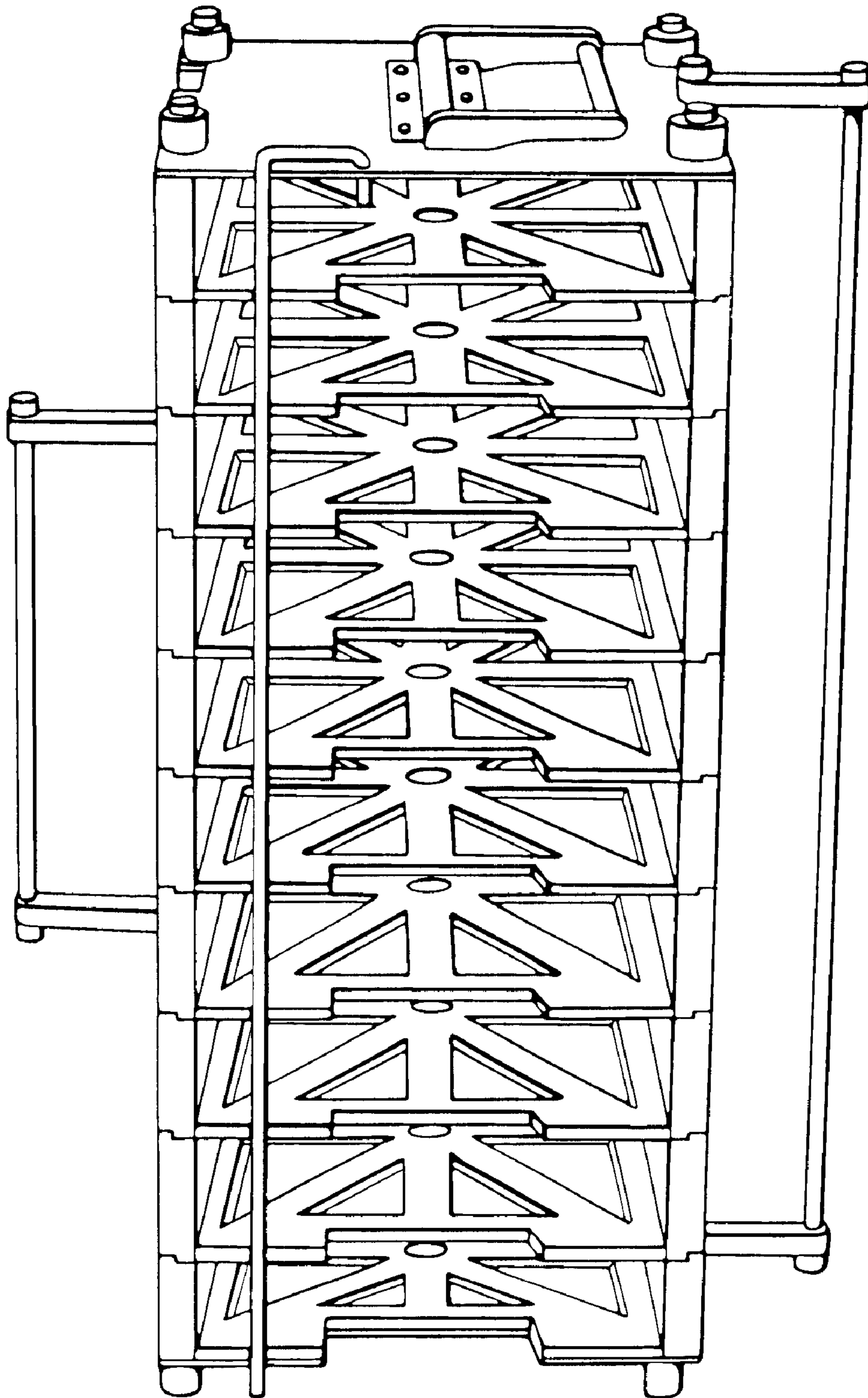


Fig.11.

UNITED STATES PATENT AND TRADEMARK OFFICE
CERTIFICATE OF CORRECTION

PATENT NO. : Des. 477,726 S
DATED : July 29, 2003
INVENTOR(S) : Day

Page 1 of 1

It is certified that error appears in the above-identified patent and that said Letters Patent is hereby corrected as shown below:

Title page,

Item [75], Inventor, reads "**Paul Francis Day**, Chipstead (GB)" and should read
-- **Paul Francis Day**, Surrey (GB) --

Signed and Sealed this

Twenty-third Day of March, 2004

A handwritten signature in black ink that reads "Jon W. Dudas". The signature is written in a cursive style with a large, looped initial "J".

JON W. DUDAS
Acting Director of the United States Patent and Trademark Office