



US00D477718S

(12) **United States Design Patent**
Vail

(10) **Patent No.:** **US D477,718 S**

(45) **Date of Patent:** **** Jul. 29, 2003**

(54) **FOLDING SEAT AND STRINGED INSTRUMENT STAND**

5,957,417 A 9/1999 Yu 248/166
6,073,999 A 6/2000 Crane 297/186
D431,938 S 10/2000 Lewis D6/480

(76) Inventor: **Nicholas C. Vail**, 6087 "d" Jacaranda Way, Carpinteria, CA (US) 93013

FOREIGN PATENT DOCUMENTS

(**) Term: **14 Years**

WO WO 99/20156 4/1999

(21) Appl. No.: **29/164,675**

Primary Examiner—Doris V. Coles

(22) Filed: **Jul. 26, 2002**

Assistant Examiner—Mimosa De

(51) **LOC (7) Cl.** **06-01**

(74) *Attorney, Agent, or Firm*—Cislo & Thomas LLP

(52) **U.S. Cl.** **D6/335**

(58) **Field of Search** D6/334, 335, 336, D6/349, 351, 480, 352, 419, 429, 482, 486, 500–502; 297/186, 461, 16.1; 108/118; 248/443, 441 R; 84/280, 166, 327; D19/35; 206/1.8; D17/99

(57) **CLAIM**

The ornamental design for a folding seat and stringed instrument stand, as shown and described.

DESCRIPTION

(56) **References Cited**

U.S. PATENT DOCUMENTS

4,359,243 A 11/1982 Crutcher 297/16
4,951,996 A 8/1990 Shannon 297/42
5,383,634 A 1/1995 Liao 248/166
D355,773 S 2/1995 MacOwan D6/335
5,465,673 A 11/1995 Ma 108/118
5,789,687 A 8/1998 Johnson 84/387

FIG. 1. Is a perspective view of my folding seat and stringed instrument stand in the upright and open position with the phantom line showing of the seat and a guitar being for illustrative purposes only;

FIG. 2. Is a back view thereof;

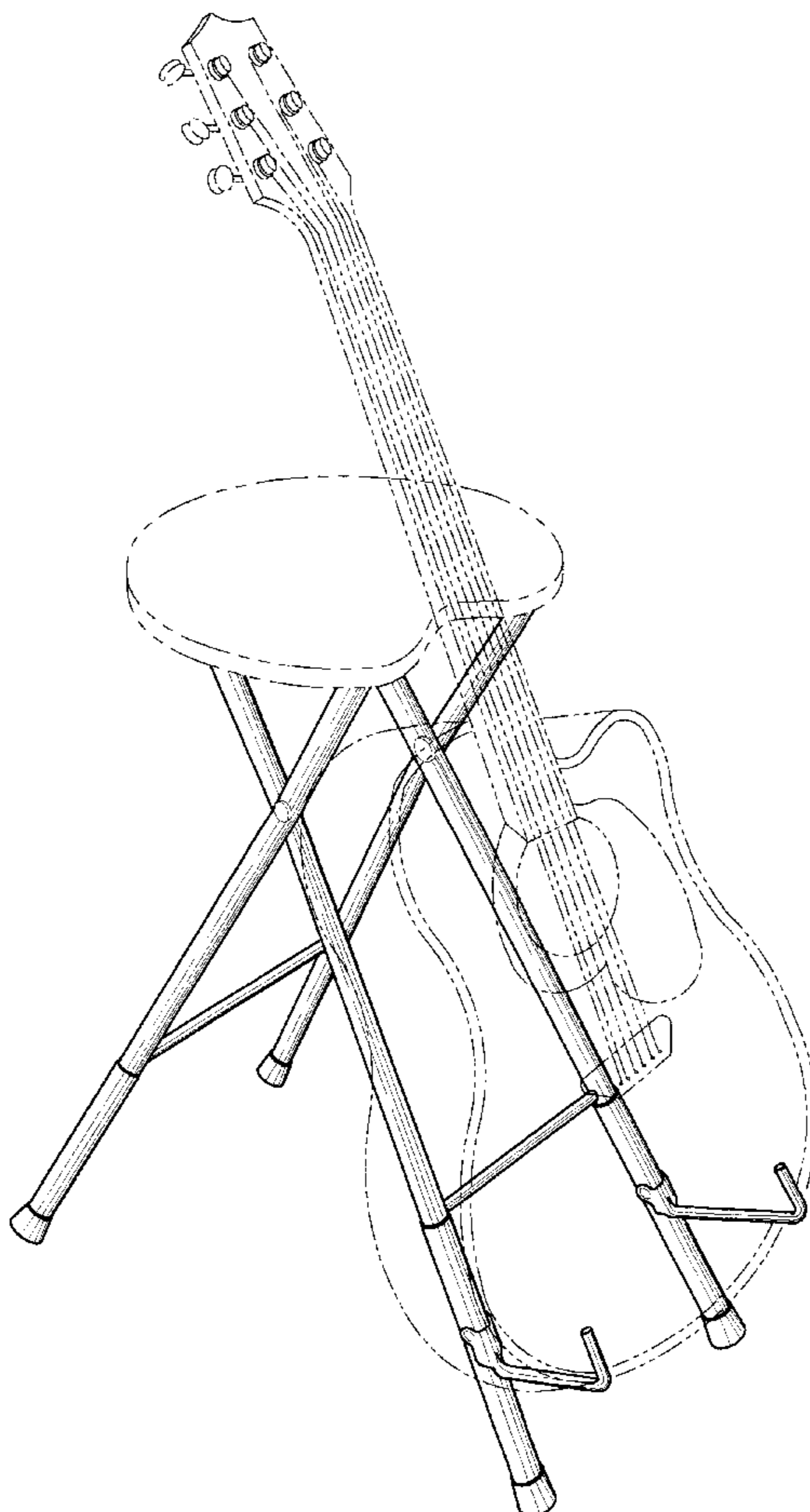
FIG. 3. Is a front view thereof;

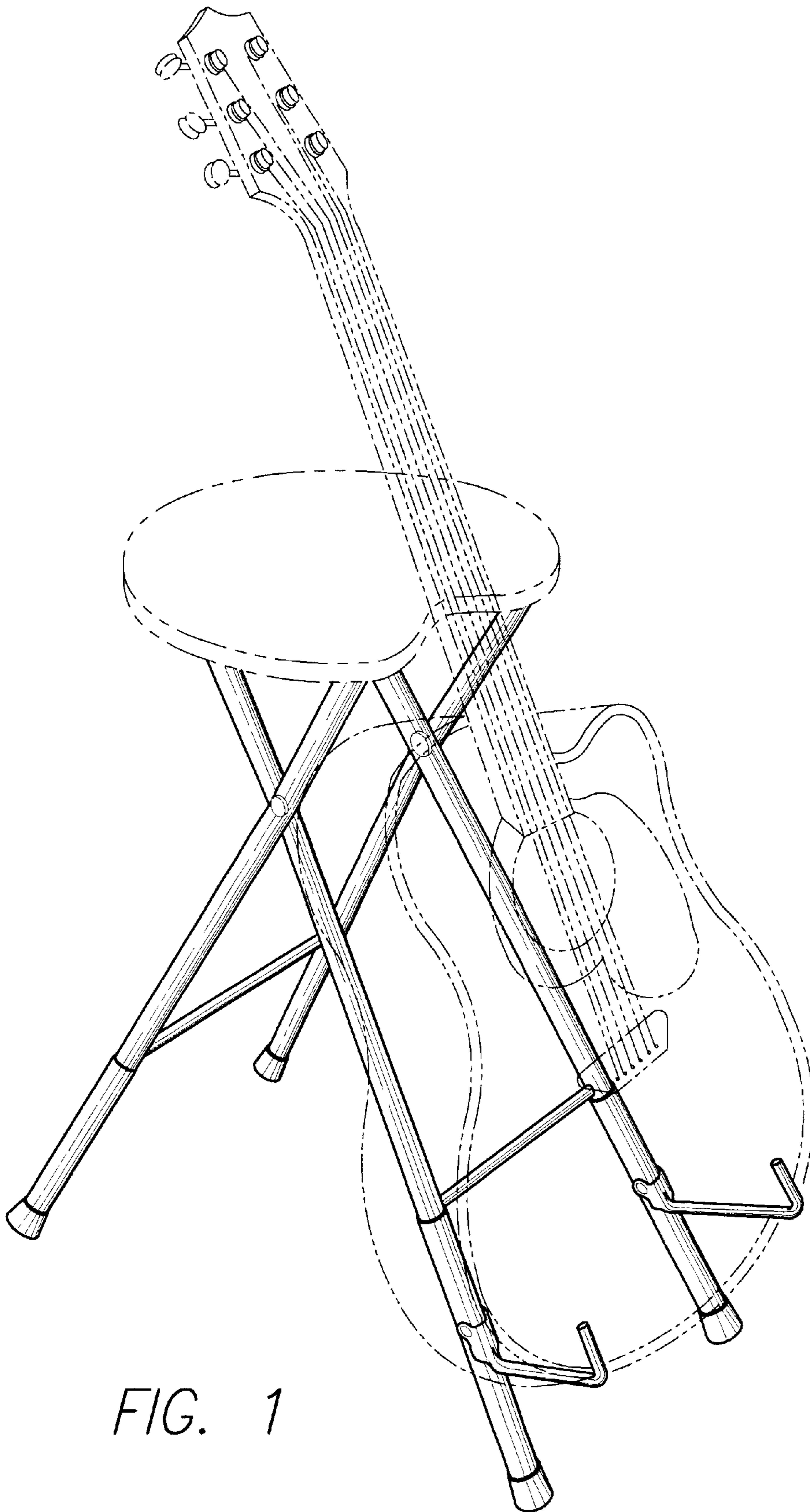
FIG. 4. Is a top view thereof;

FIG. 5. Is a bottom view thereof; and,

FIG. 6. Is a left side elevational view thereof with the right side elevational view being a mirror image thereof.

1 Claim, 4 Drawing Sheets





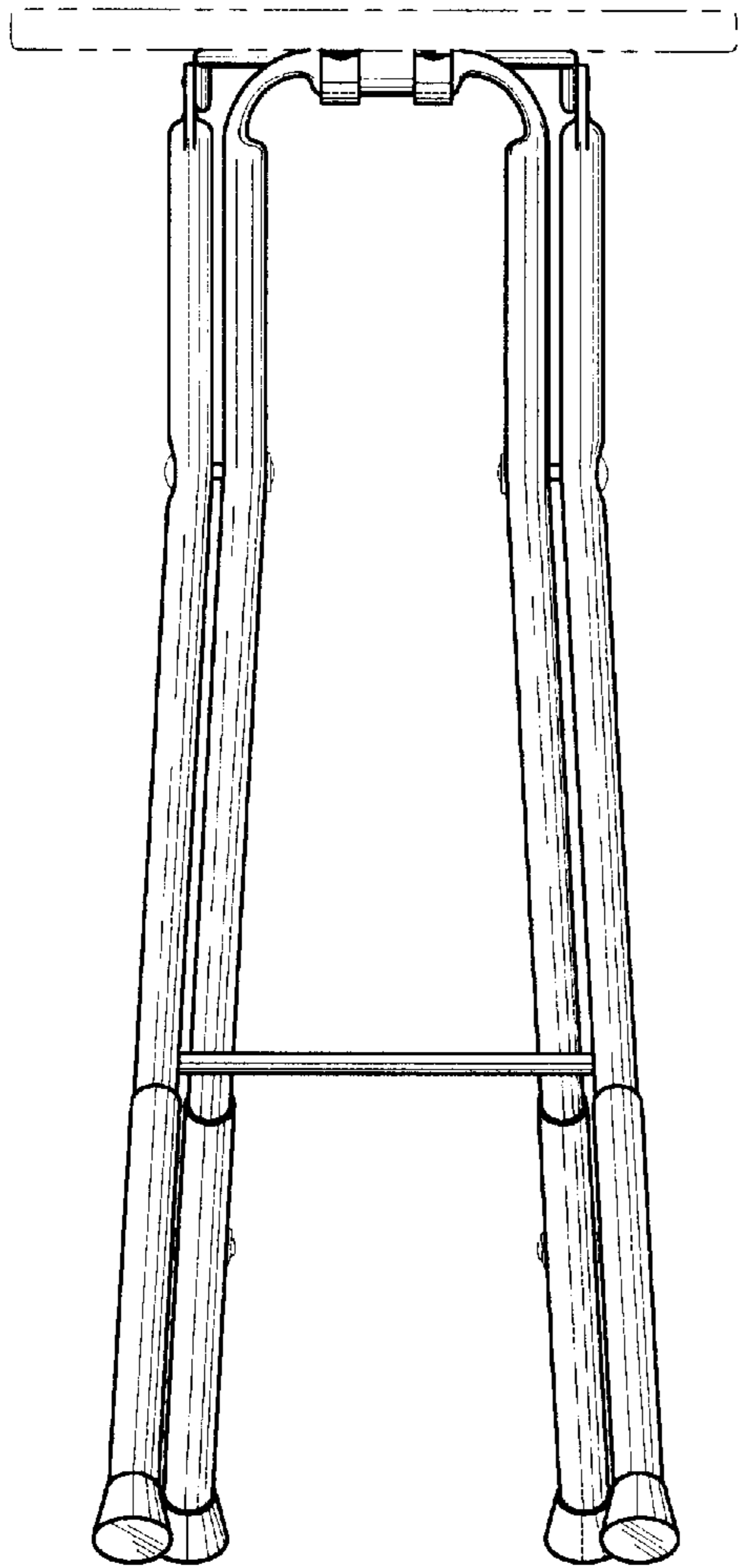


FIG. 2

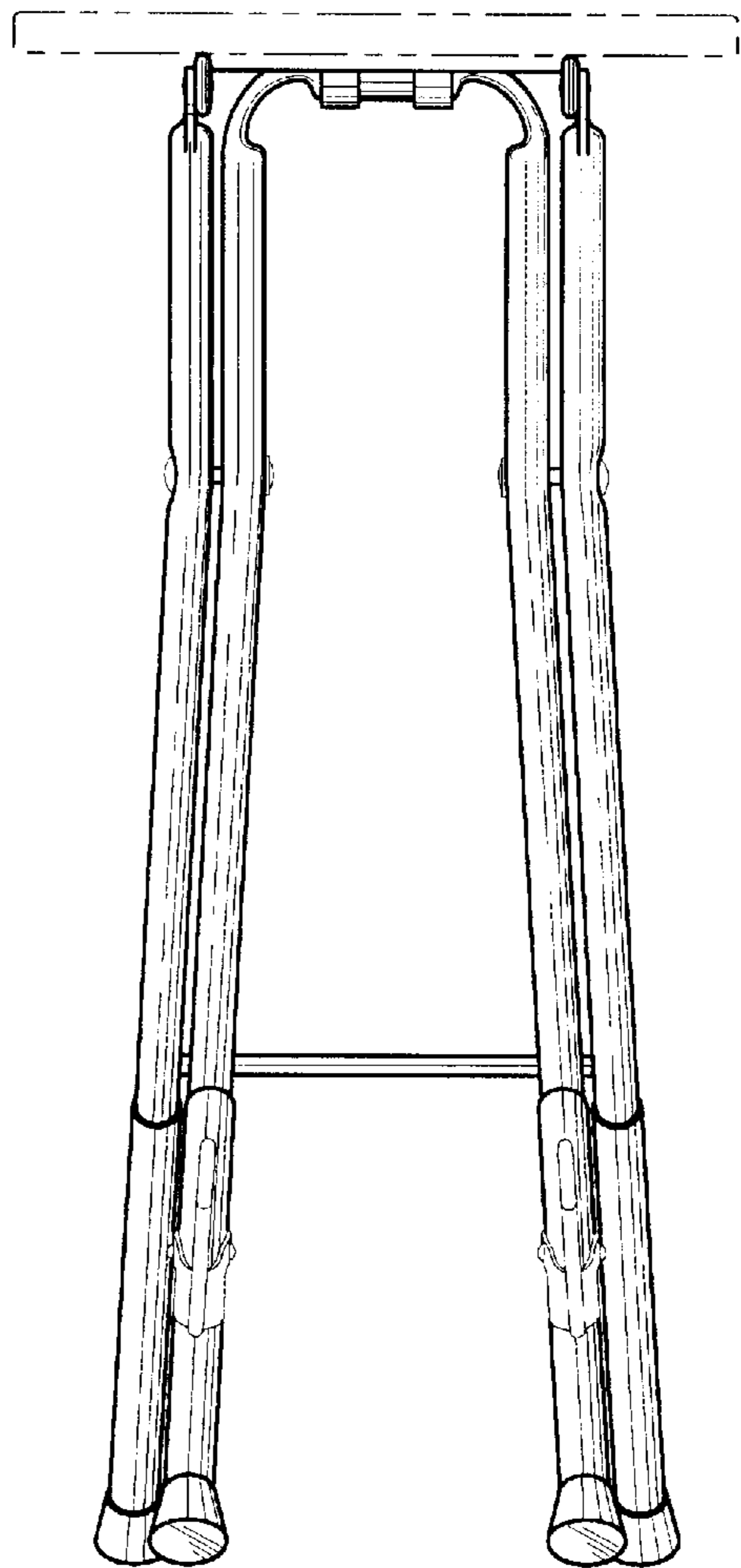


FIG. 3

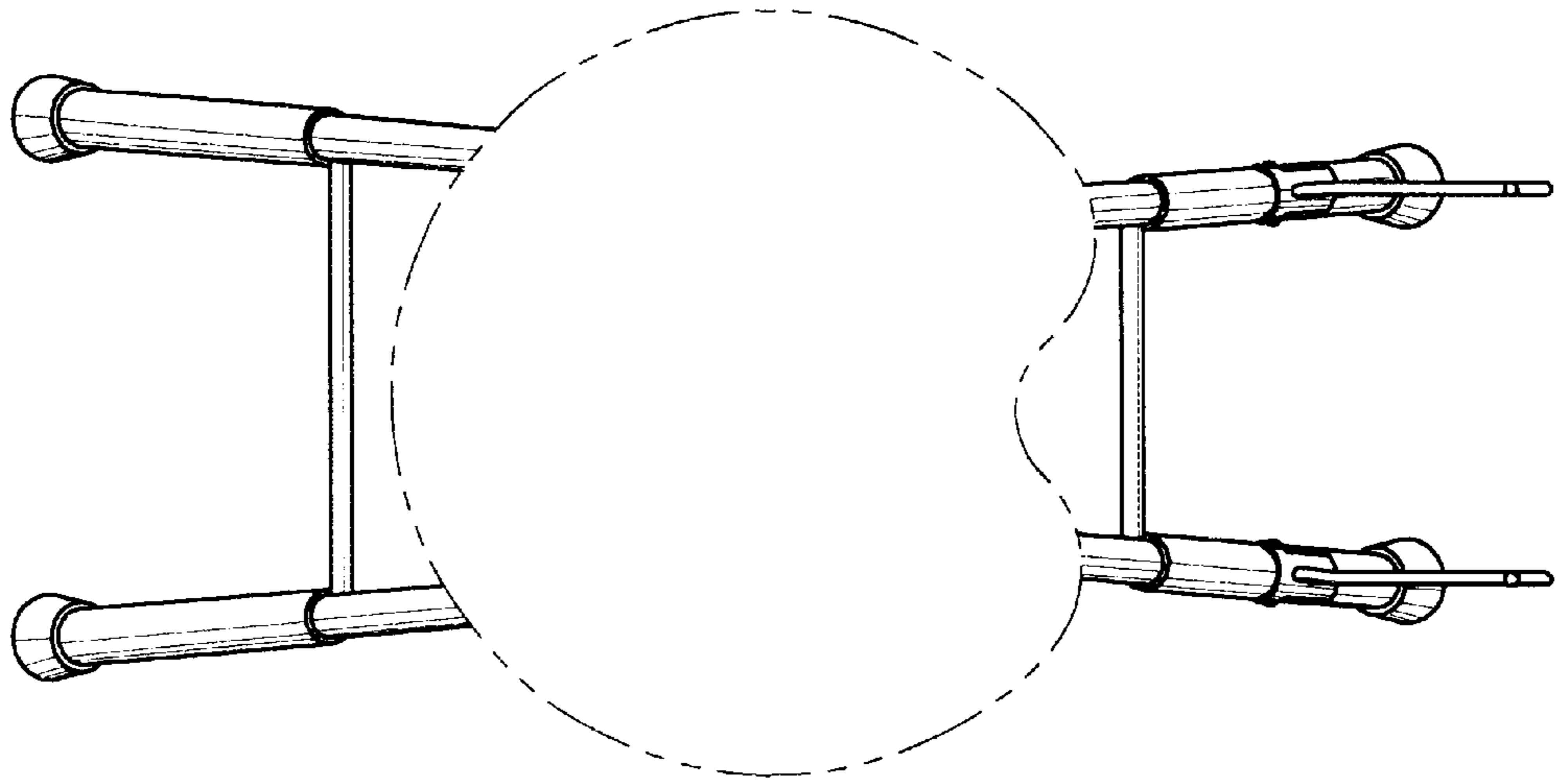


FIG. 4

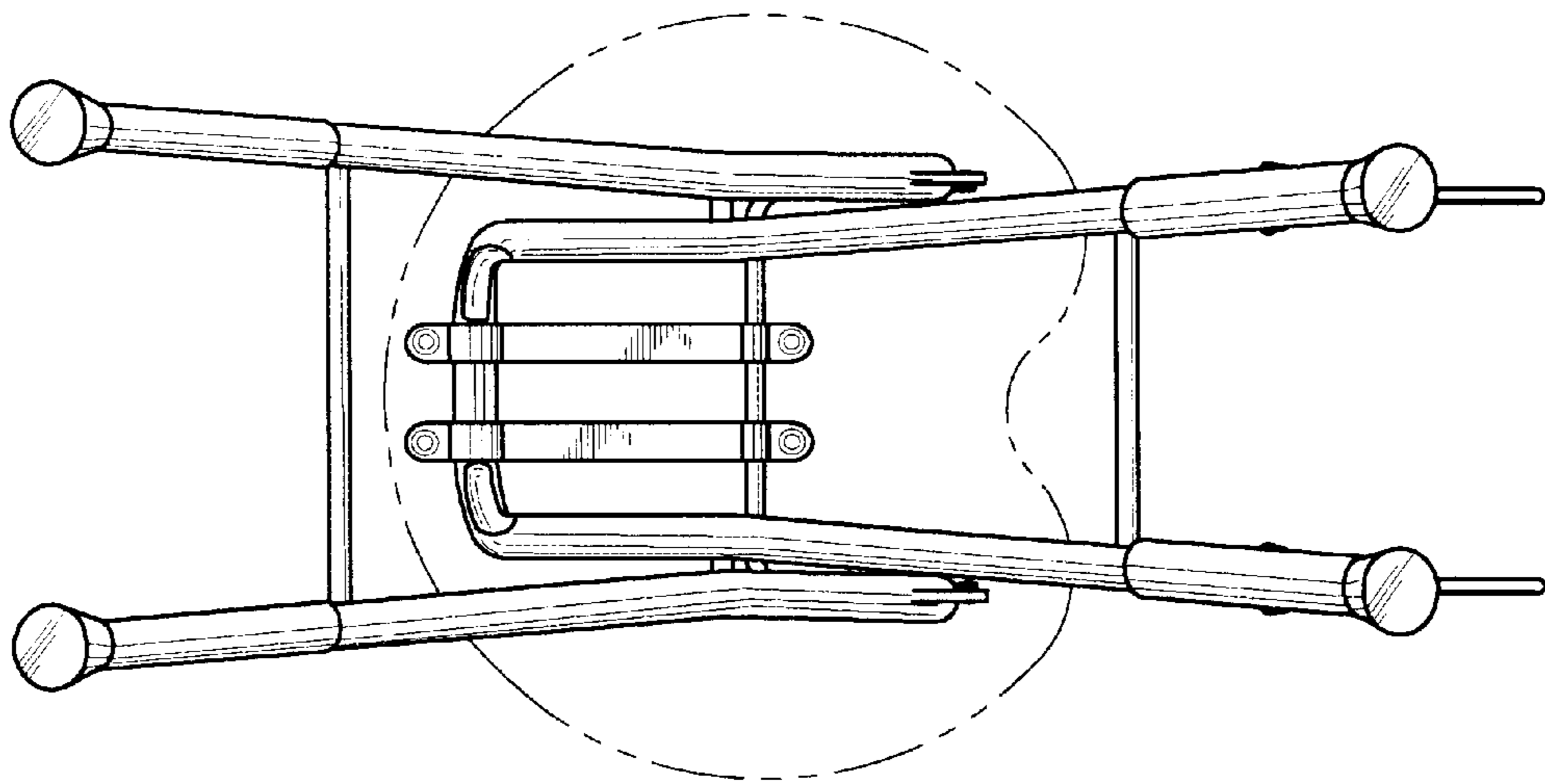


FIG. 5

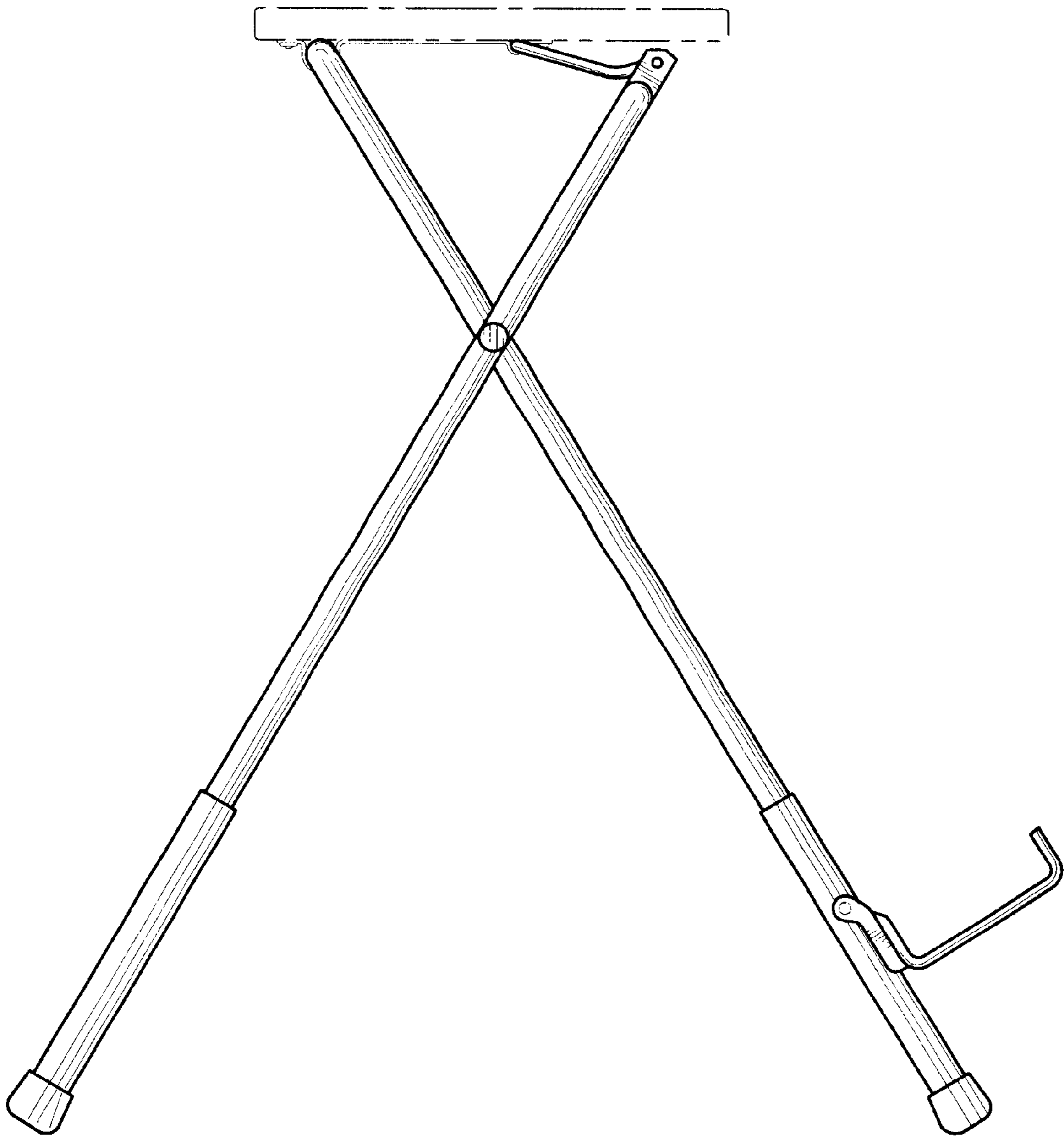


FIG. 6