



US00D47713S

(12) **United States Design Patent**  
**Murdoch et al.**

(10) **Patent No.:** **US D477,713 S**  
(45) **Date of Patent:** **\*\* Jul. 29, 2003**

(54) **POUCH FOR A DIGITAL CAMERA AND ACCESSORIES**

(76) Inventors: **Douglas H. Murdoch**, 2060 Woodside Dr., Santa Rosa, CA (US) 95404; **Lily S. Fisher**, 2546 Buss Dr., Santa Rosa, CA (US) 95407

(\*\*) Term: **14 Years**

(21) Appl. No.: **29/167,342**

(22) Filed: **Sep. 11, 2002**

**Related U.S. Application Data**

(63) Continuation-in-part of application No. 29/155,528, filed on Feb. 8, 2002, now Pat. No. Des. 468,530.

(51) **LOC (7) Cl.** ..... **03-01**

(52) **U.S. Cl.** ..... **D3/267; D3/268; D3/276**

(58) **Field of Search** ..... **D3/208, 215, 219, D3/225, 226, 243, 263, 267, 268, 273, 276, 283, 285, 287, 289, 290, 301; D7/607; 206/316.1, 316.2; 224/583, 612, 908**

(56) **References Cited**

**U.S. PATENT DOCUMENTS**

1,325,372 A \* 12/1919 Penny  
2,691,401 A \* 10/1954 Kontoff

(List continued on next page.)

*Primary Examiner*—Celia Murphy

(74) *Attorney, Agent, or Firm*—R. Dabney Eastham

(57) **CLAIM**

We claim the ornamental design for a pouch for a digital camera and accessories, as shown and described.

**DESCRIPTION**

FIG. 1 is a perspective view of a pouch for a digital camera and accessories showing our new design;

FIG. 2 is a front elevational view of the pouch shown in FIG. 1.

FIG. 3 is a rear elevational view of the pouch shown in FIG. 1.

FIG. 4 is a left elevational view of the pouch shown in FIG. 1.

FIG. 5 is a right elevational view of the pouch shown in FIG. 1.

FIG. 6 is a plan view of the pouch shown in FIG. 1.

FIG. 7 is a bottom side view of the pouch shown in FIG. 1.

FIG. 8 is a front perspective view of an alternate embodiment of the pouch for digital camera and accessories shown in FIG. 1.

FIG. 9 is a front elevational view of the pouch shown in FIG. 8.

FIG. 10 is a rear elevational view of the pouch shown in FIG. 8.

FIG. 11 is a left elevational view of the pouch shown in FIG. 8.

FIG. 12 is a right elevational view of the pouch shown in FIG. 8.

FIG. 13 is a plan view of the pouch shown in FIG. 8.

FIG. 14 is a bottom side view of the pouch shown in FIG. 8.

FIG. 15 is a front perspective view of an alternate embodiment of the pouch for digital camera accessories shown in FIG. 1.

FIG. 16 is a front elevational view of the pouch shown in FIG. 15.

FIG. 17 is a rear elevational view of the pouch shown in FIG. 15.

FIG. 18 is a left elevational view of the pouch shown in FIG. 15.

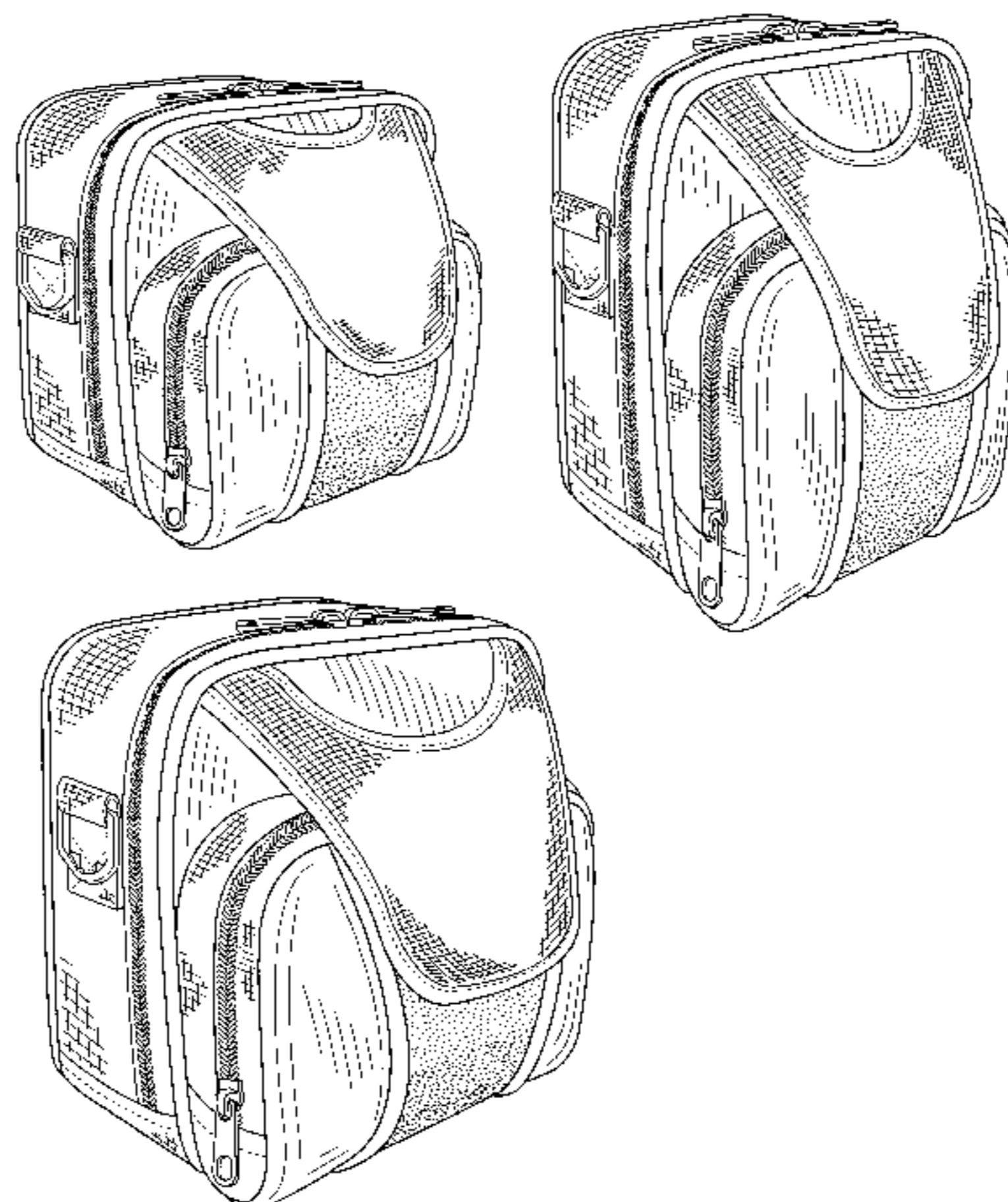
FIG. 19 is a right elevational view of the pouch shown in FIG. 15.

FIG. 20 is a plan view of the pouch shown in FIG. 15; and, FIG. 21 is a bottom side view of the pouch shown in FIG. 15.

The pouch depicted in the drawings is “soft,” meaning that it is largely made of fabric, and is useful for carrying equipment and the accessories related to such equipment. An example of such equipment is a digital camera.

The broken lines shown along the edges of the flap, the sides, and the rear of the views are understood to represent stitching.

**1 Claim, 12 Drawing Sheets**



# US D477,713 S

Page 2

---

## U.S. PATENT DOCUMENTS

D174,536 S	*	4/1955	Eckhardt et al.		D384,810 S	*	10/1997	Kopel .....	D3/226
D249,824 S	*	10/1978	Koszegi .....	D3/268	D411,352 S	*	6/1999	Golenz et al. ....	D3/301
D251,873 S	*	5/1979	Pretzinger .....	D3/268	D454,428 S	*	3/2002	Hillman .....	D3/219
D252,959 S	*	9/1979	Lang .....	D3/268	D455,256 S	*	4/2002	Tyler .....	D3/219
D281,750 S	*	12/1985	Akabane .....	D3/267	D455,547 S	*	4/2002	Hillman .....	D3/219
D310,299 S	*	9/1990	Ito .....	D3/219	D457,723 S	*	5/2002	Tyler .....	D3/267
D361,428 S	*	8/1995	Akabane et al. ....	D3/267	D468,530 S	*	1/2003	Murdoch et al. ....	D3/276
D368,581 S	*	4/1996	Cincotta .....	D3/218					

\* cited by examiner



FIG. 1

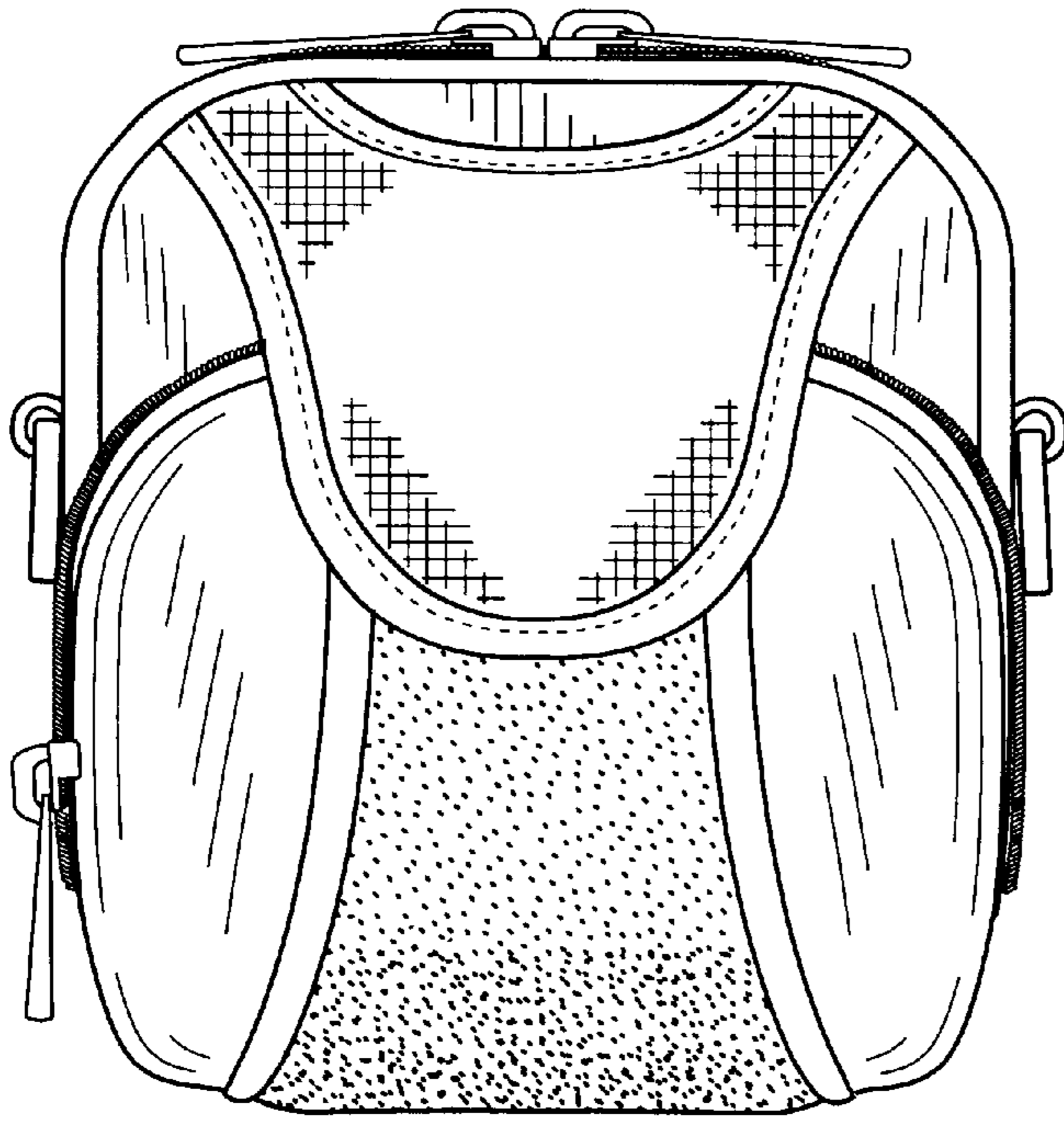


FIG. 2

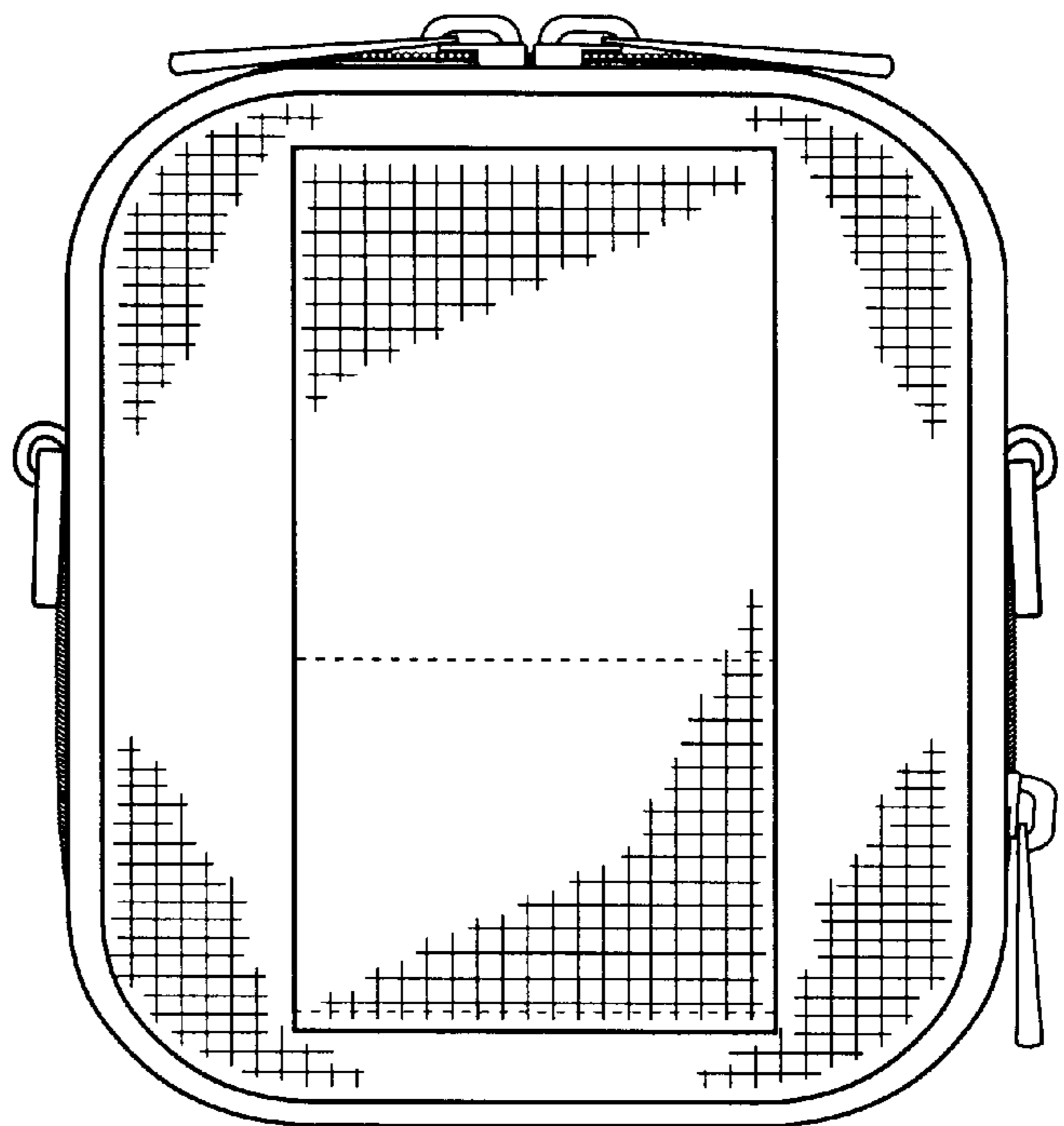


FIG. 3

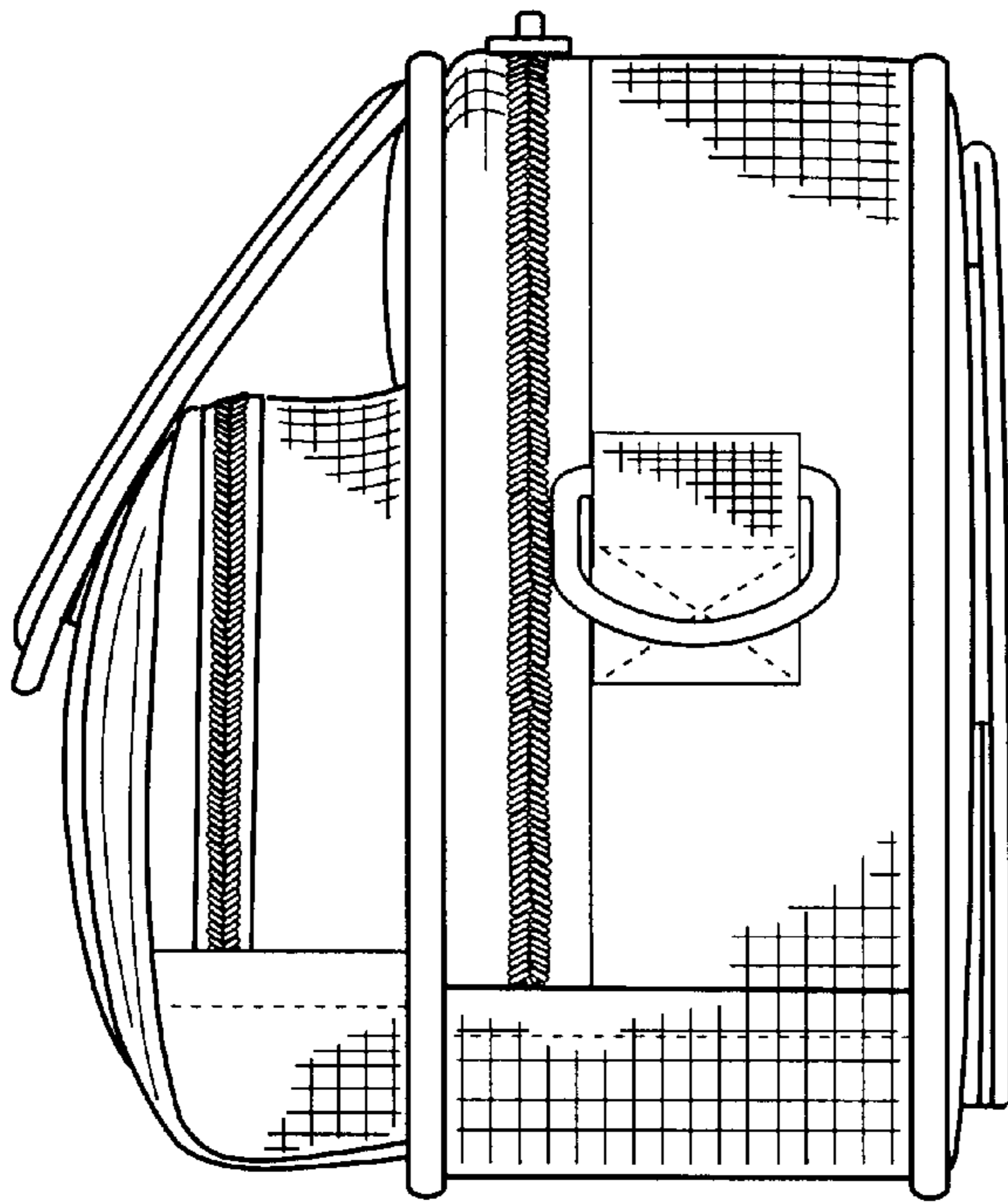


FIG. 4

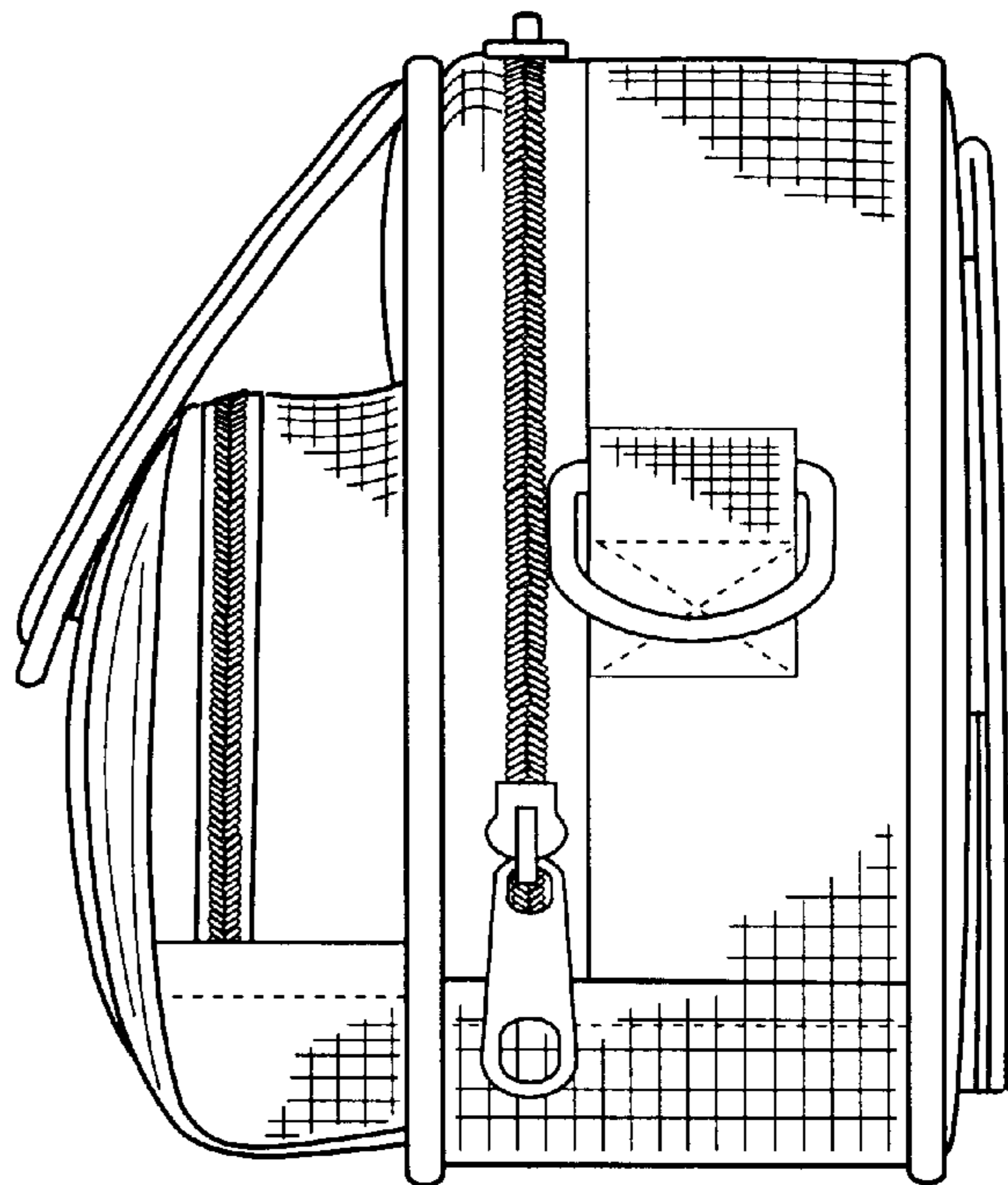


FIG. 5

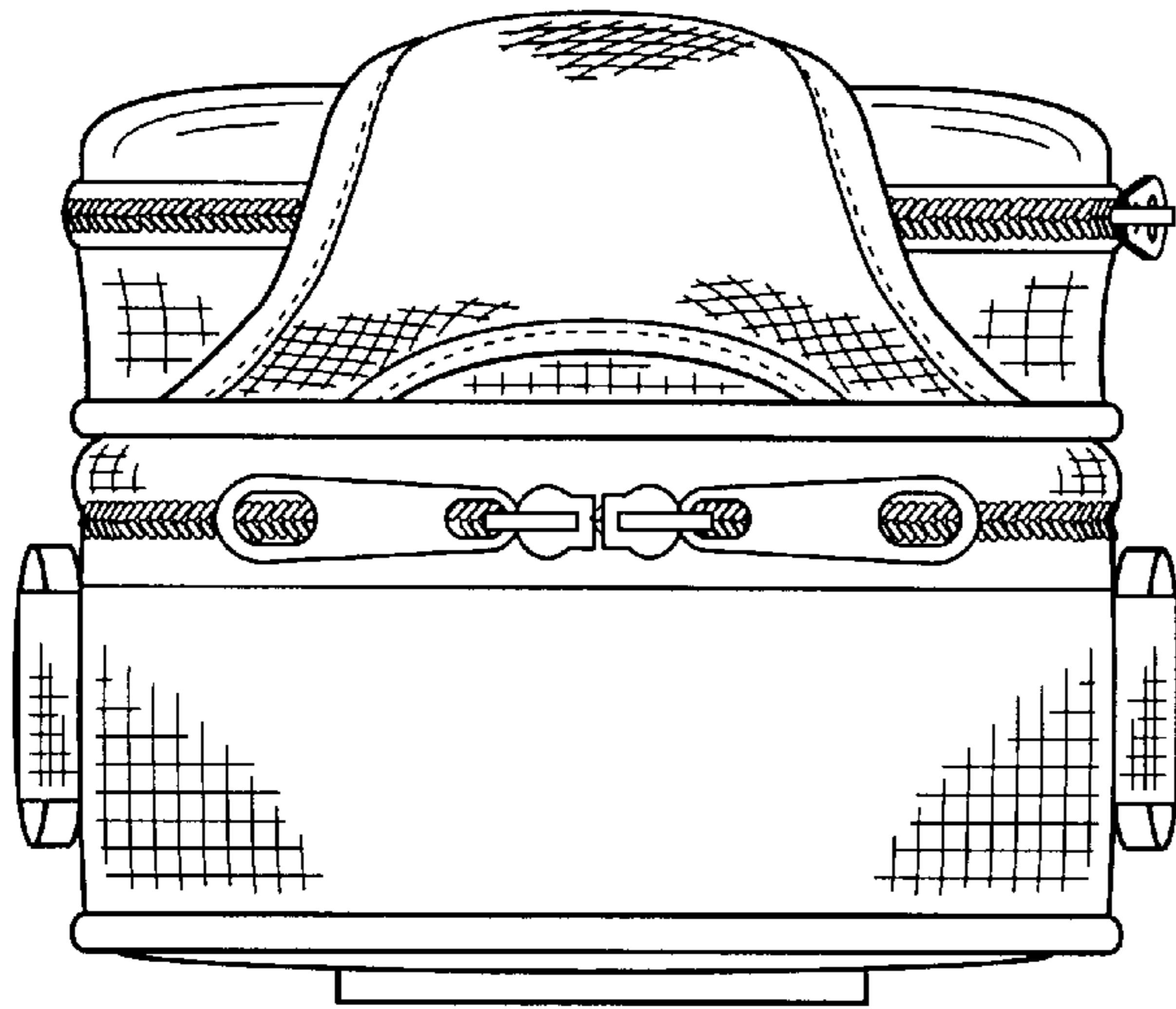


FIG. 6

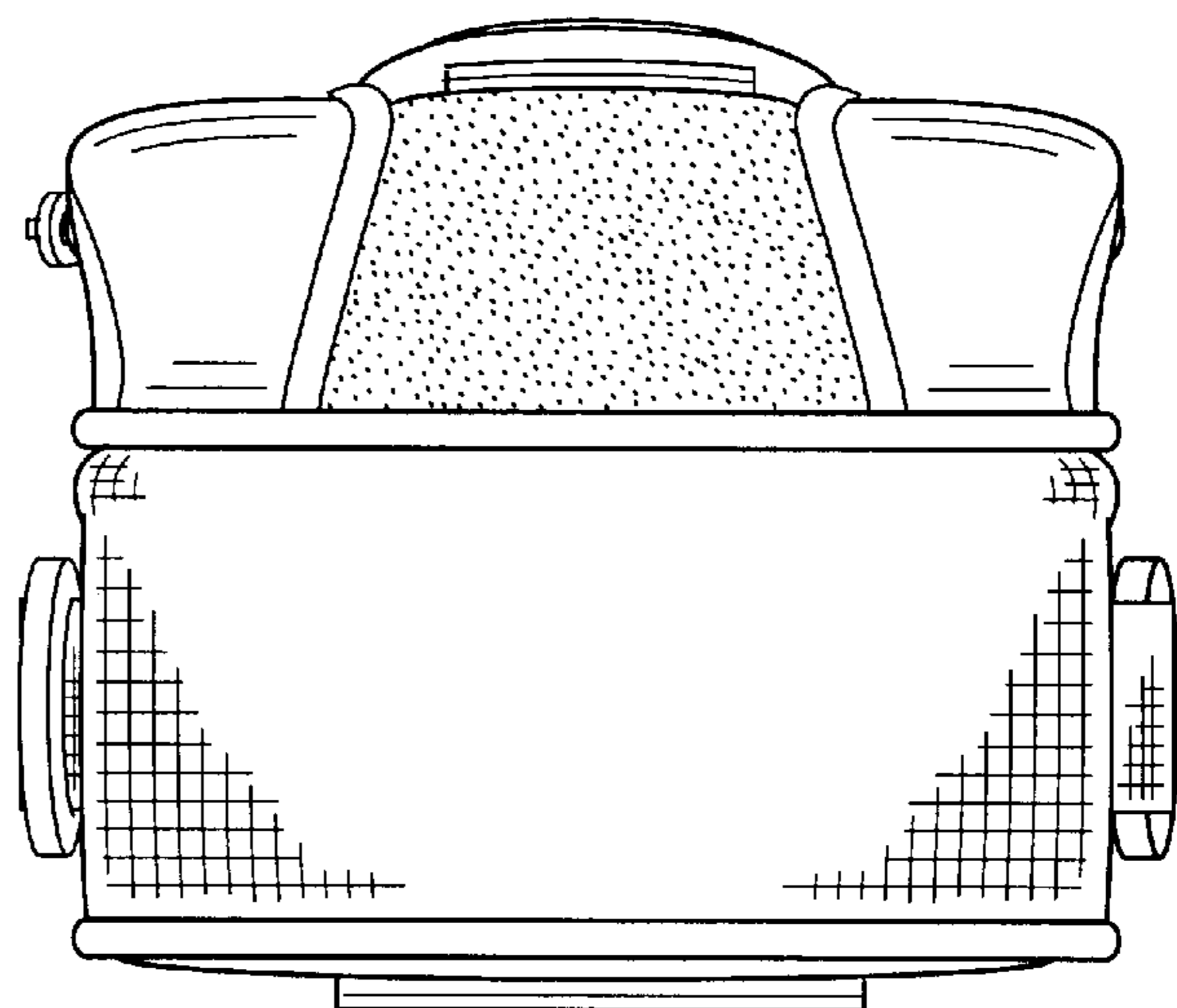


FIG. 7

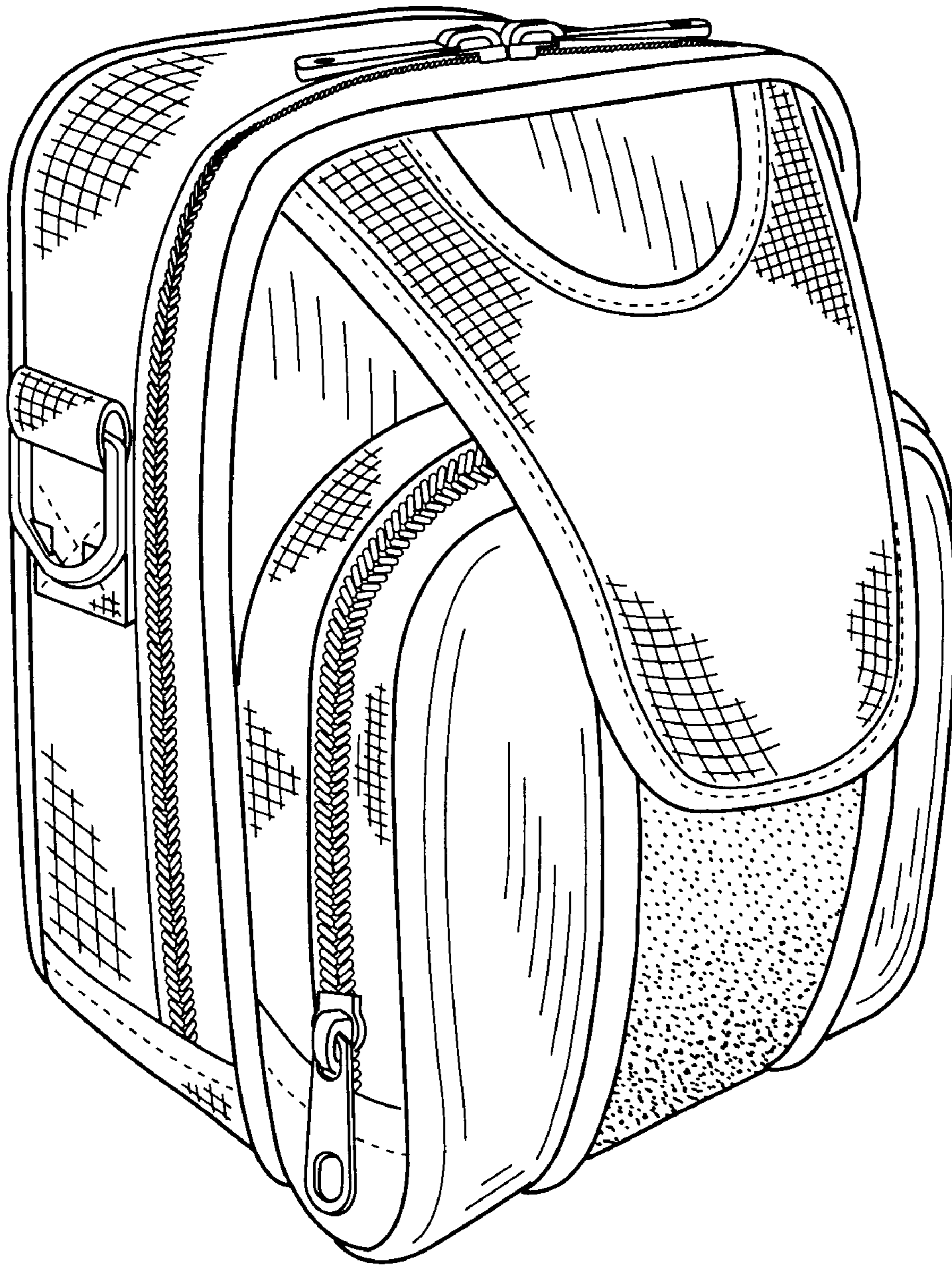


FIG. 8

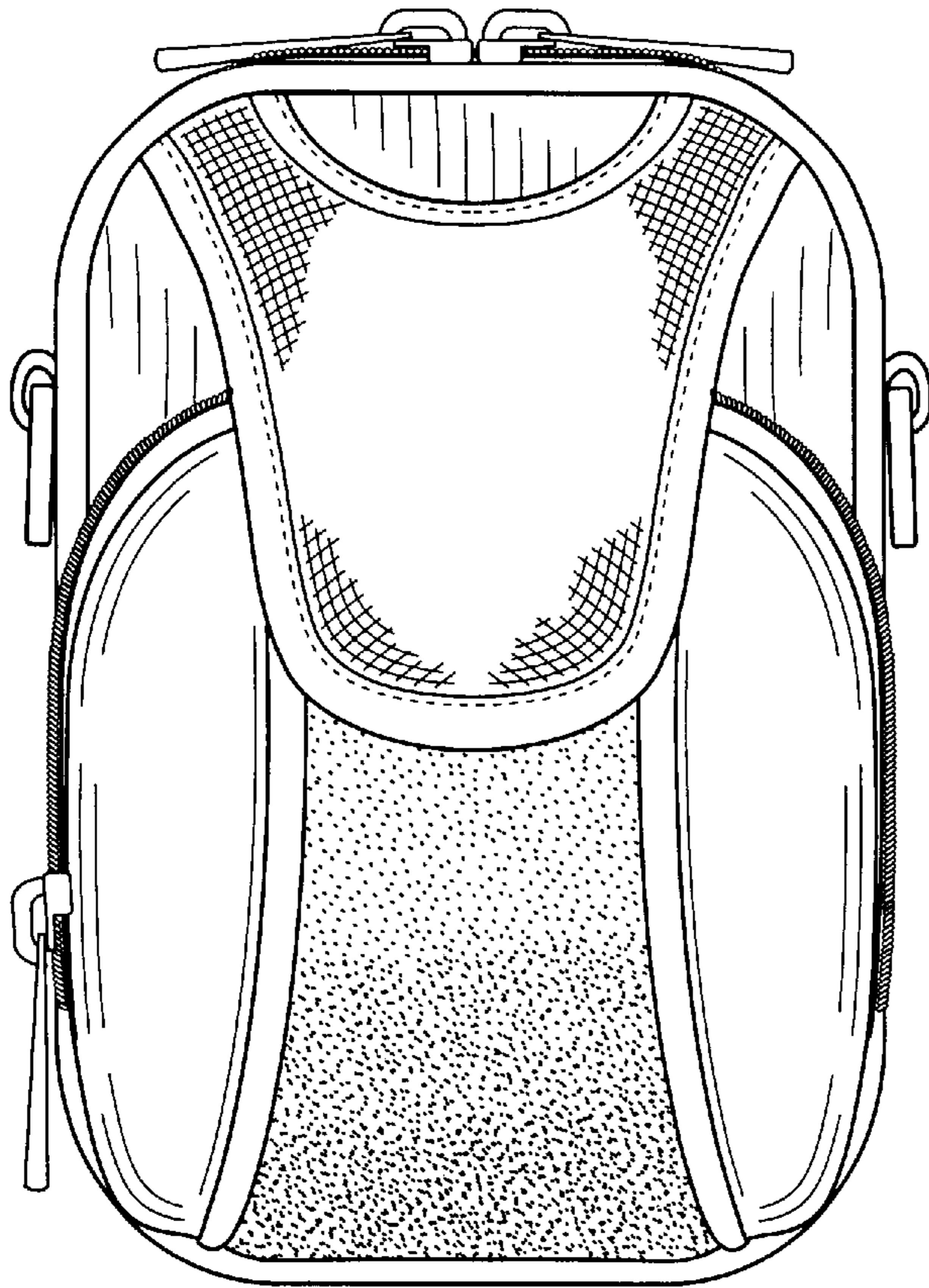


FIG. 9

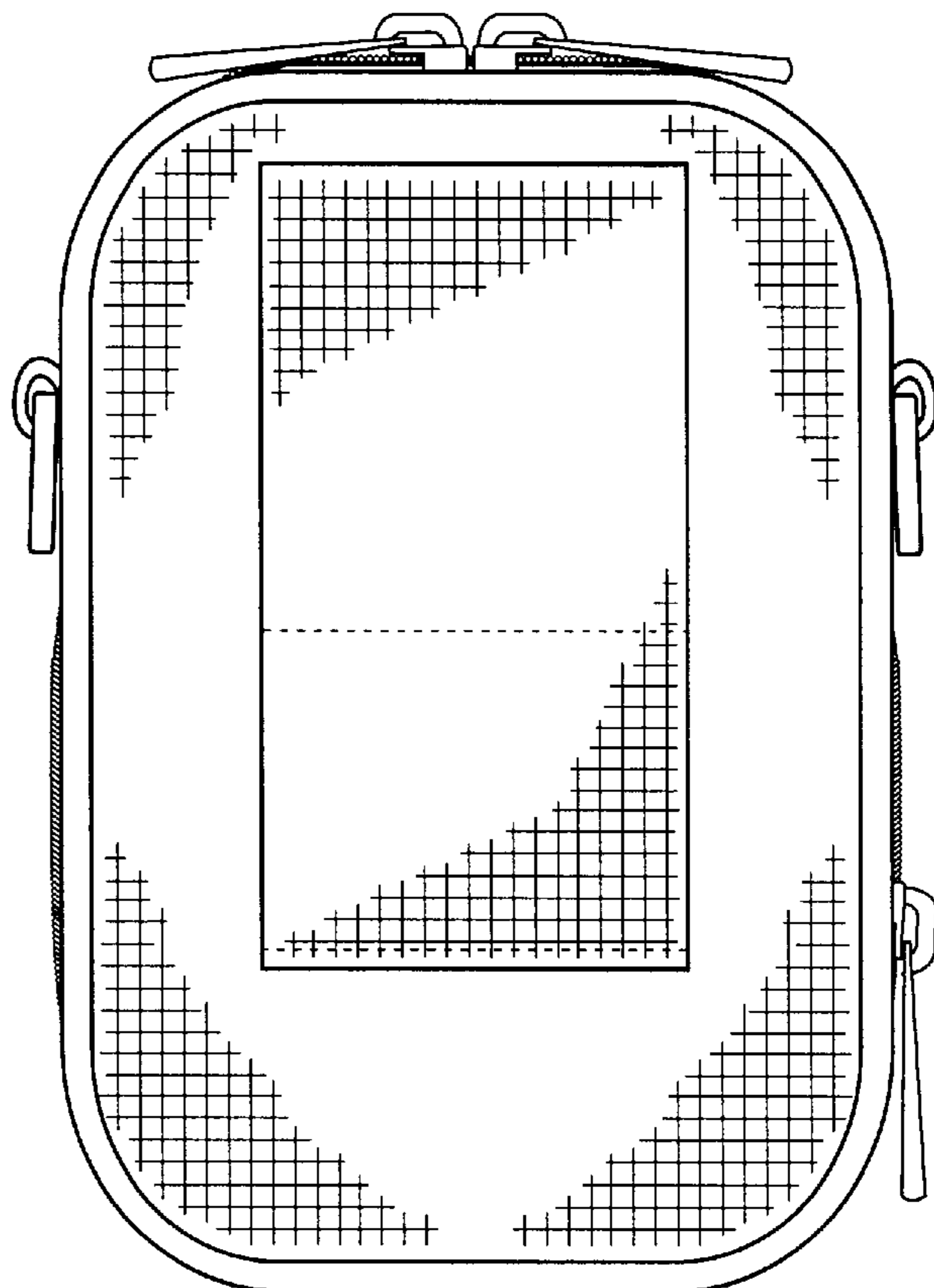


FIG. 10



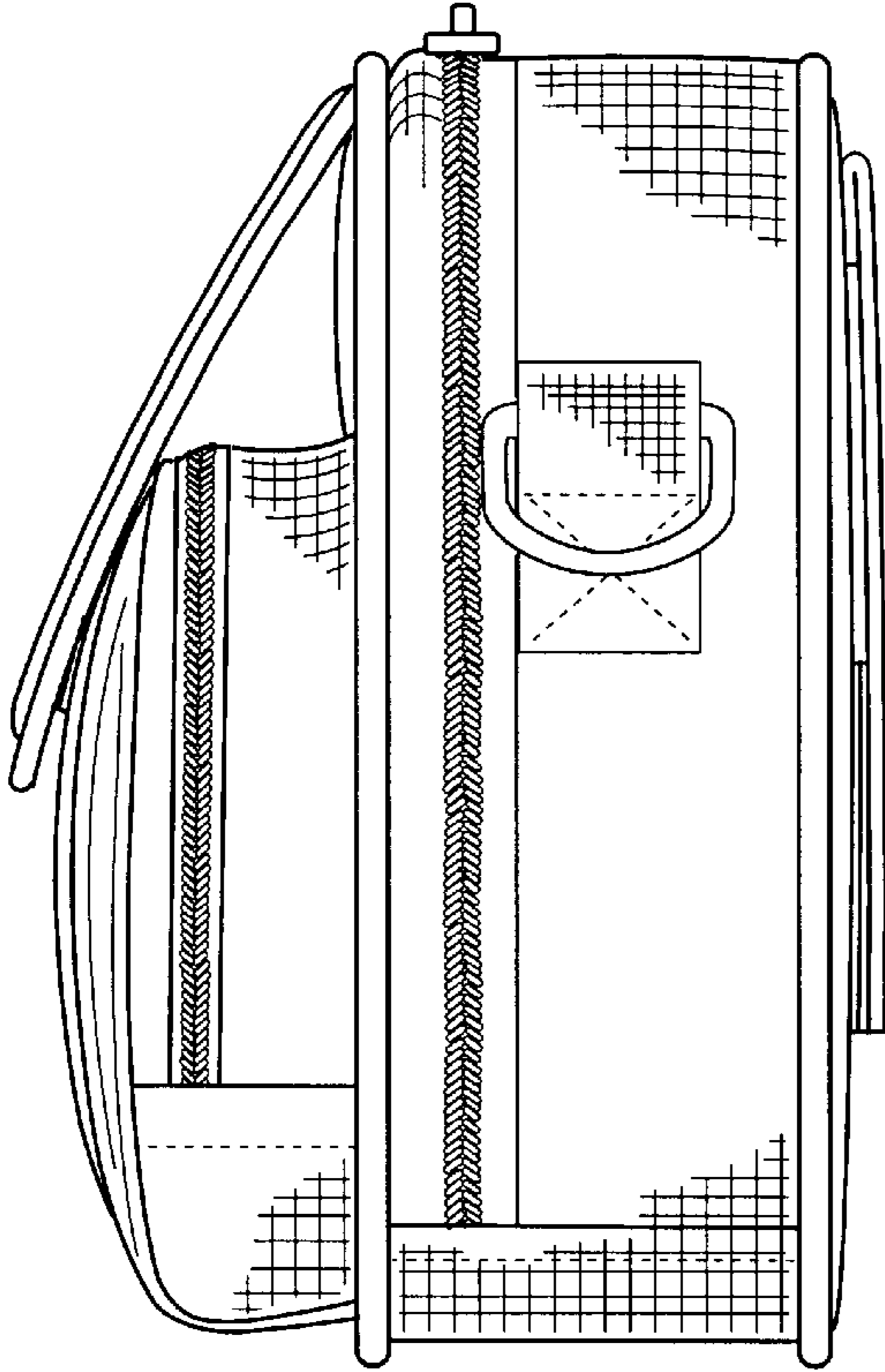


FIG. 11

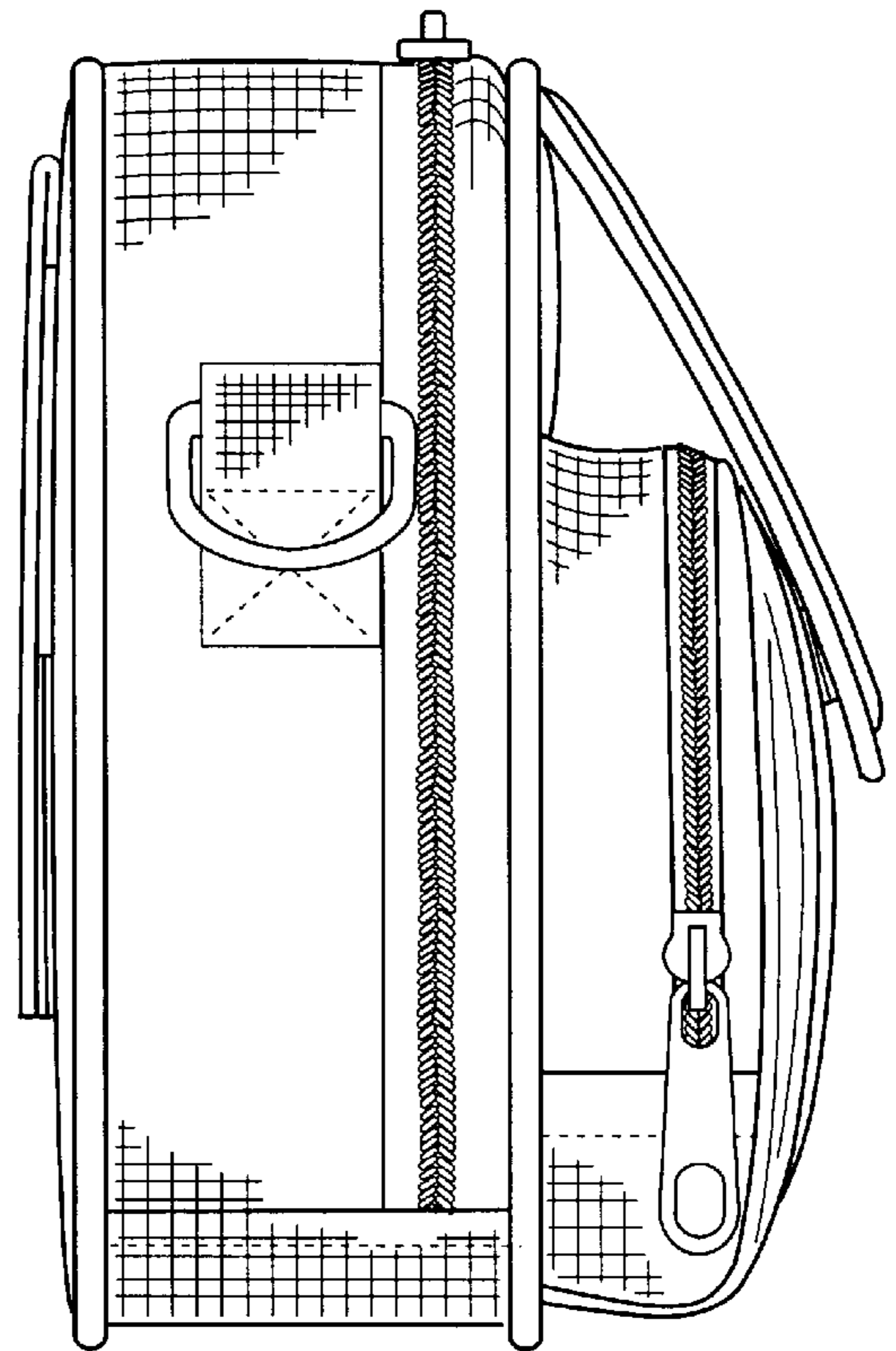


FIG. 12

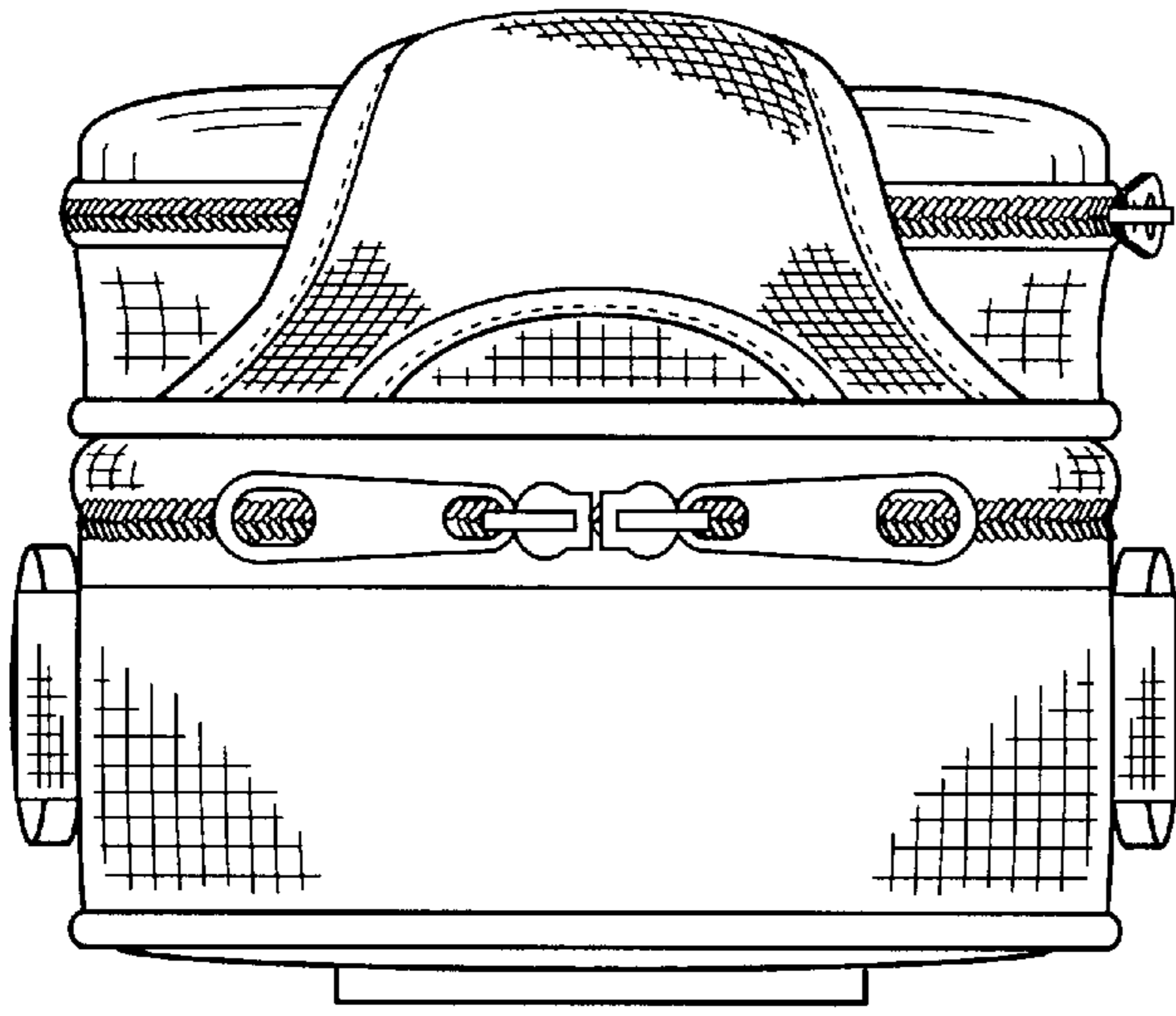


FIG. 13

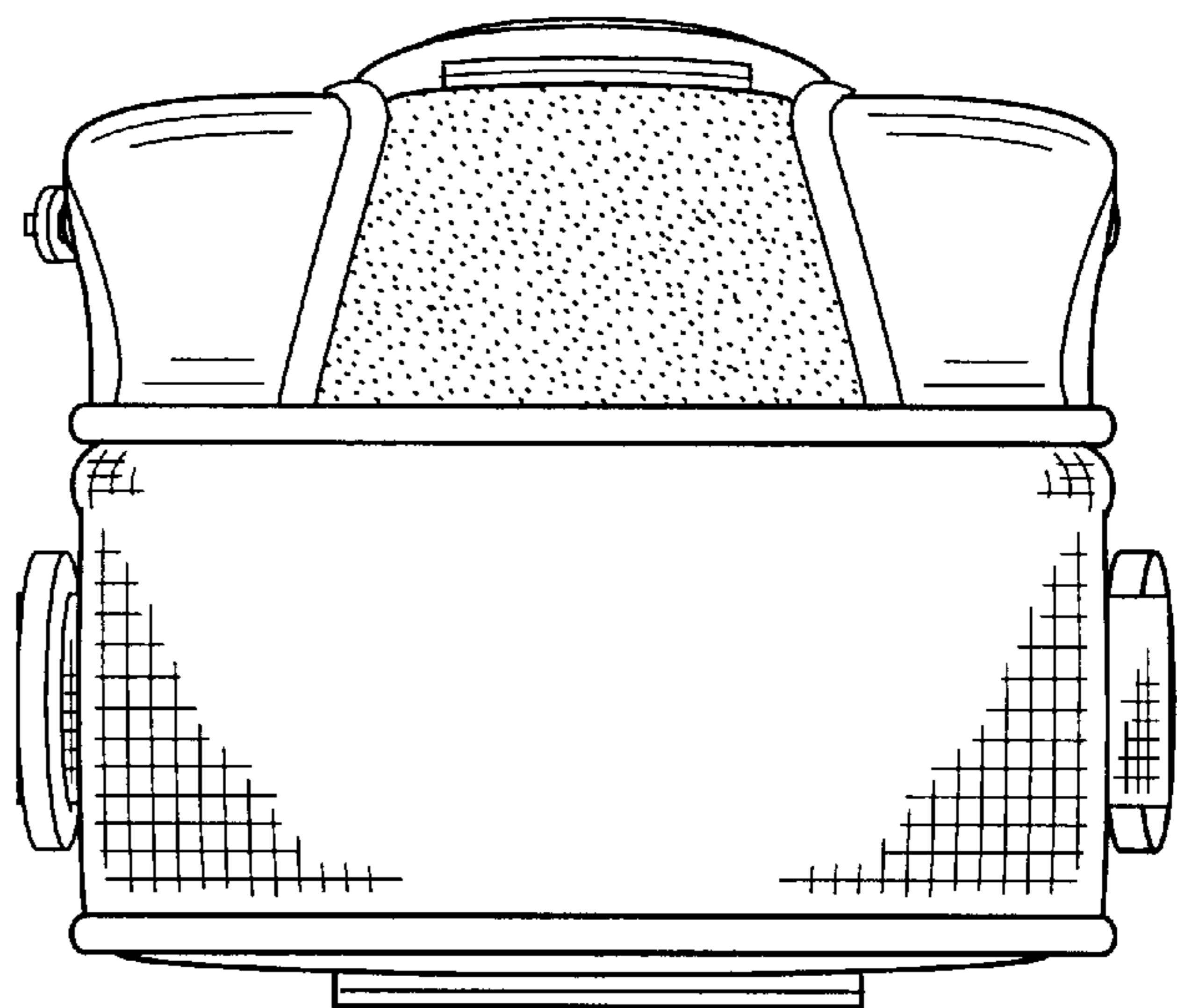


FIG. 14

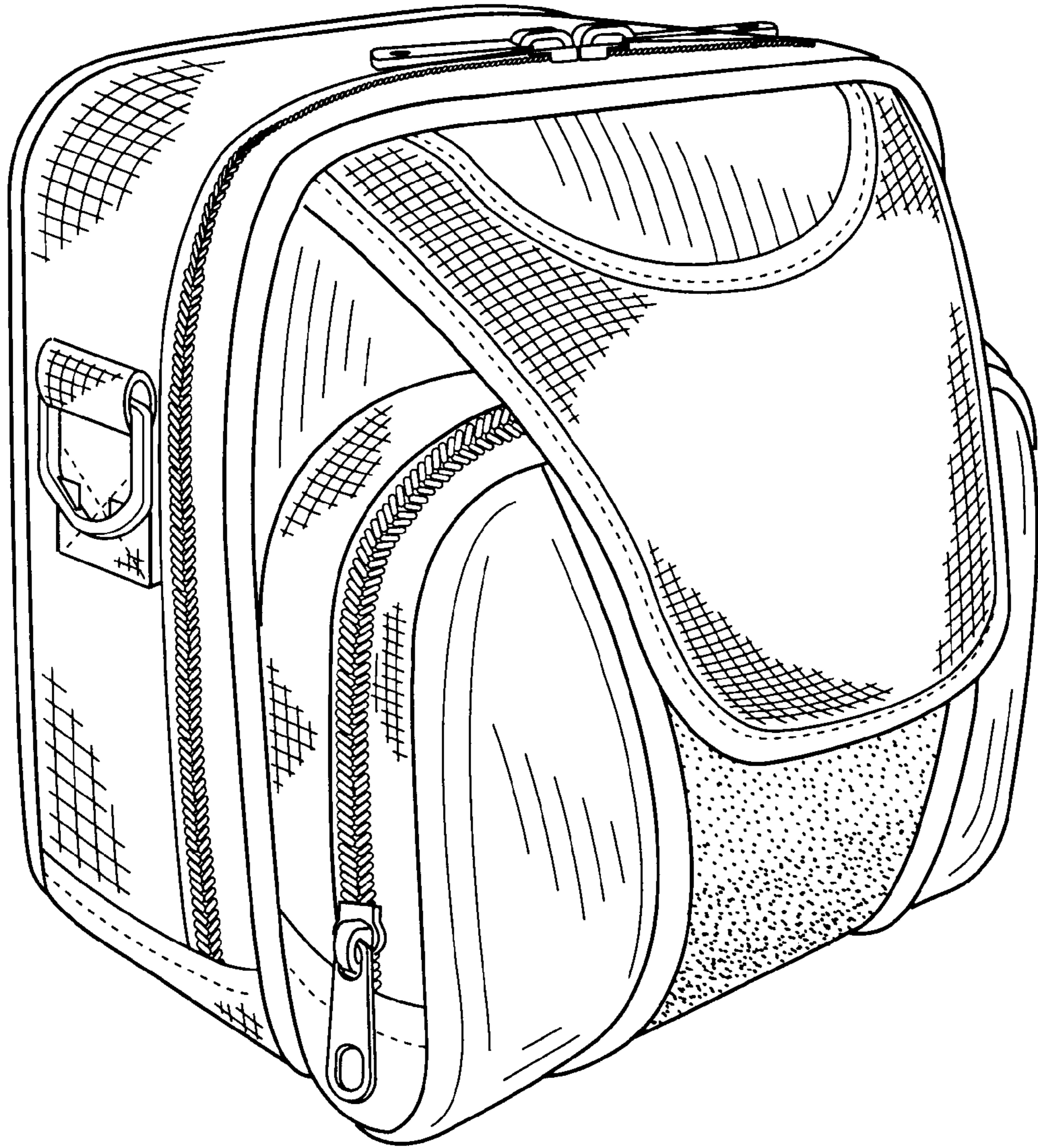


FIG. 15

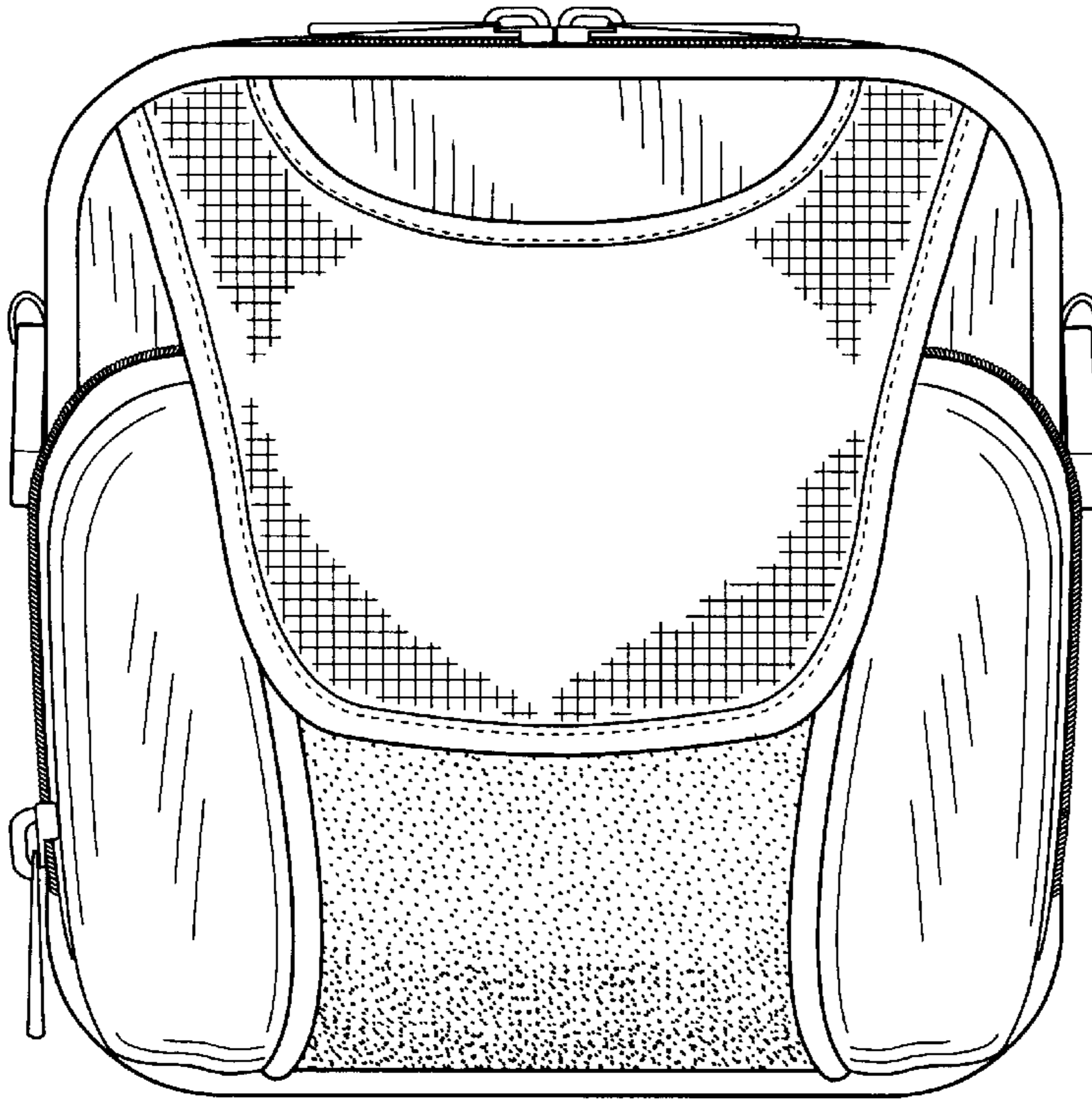


FIG. 16

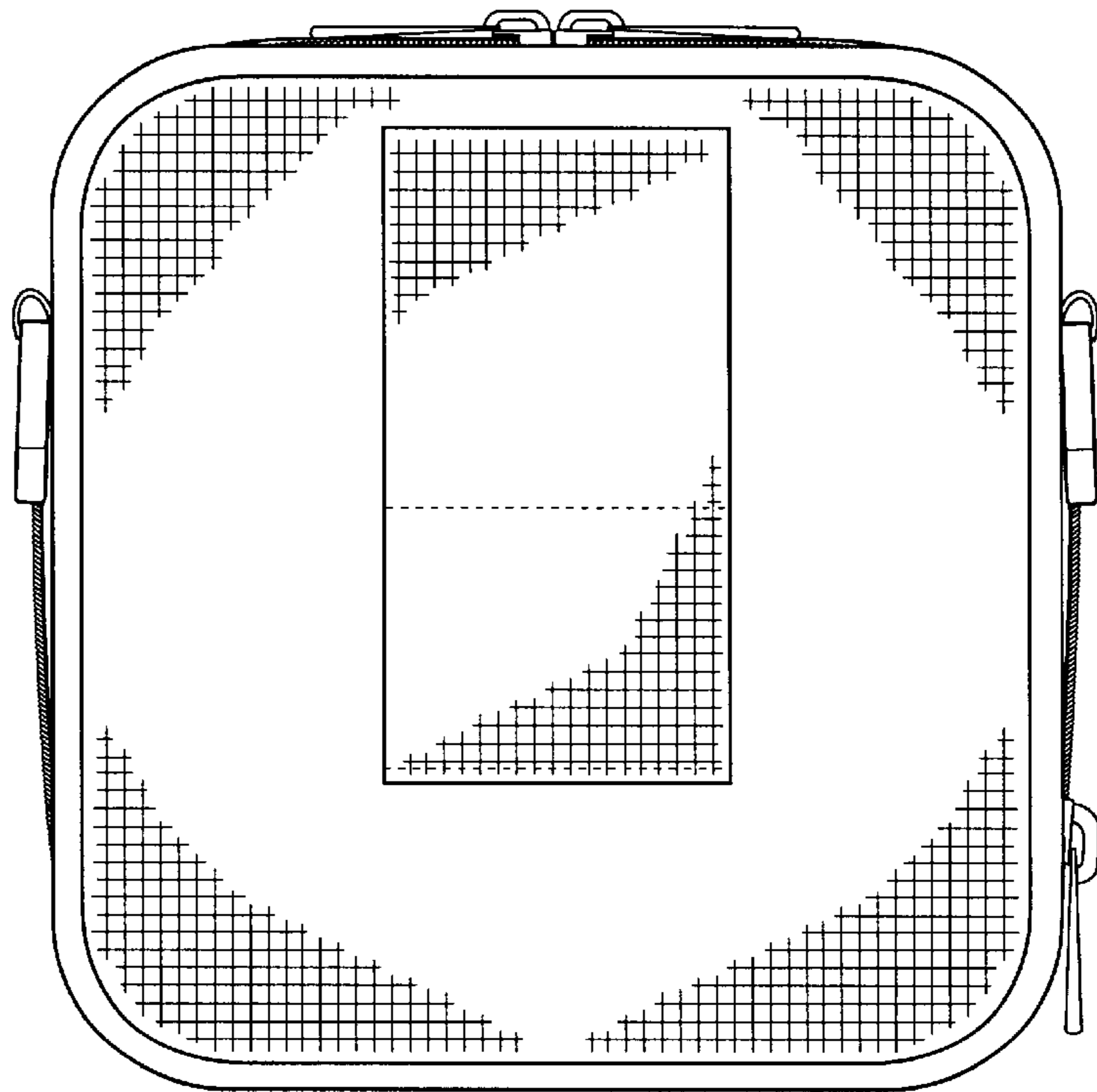


FIG. 17

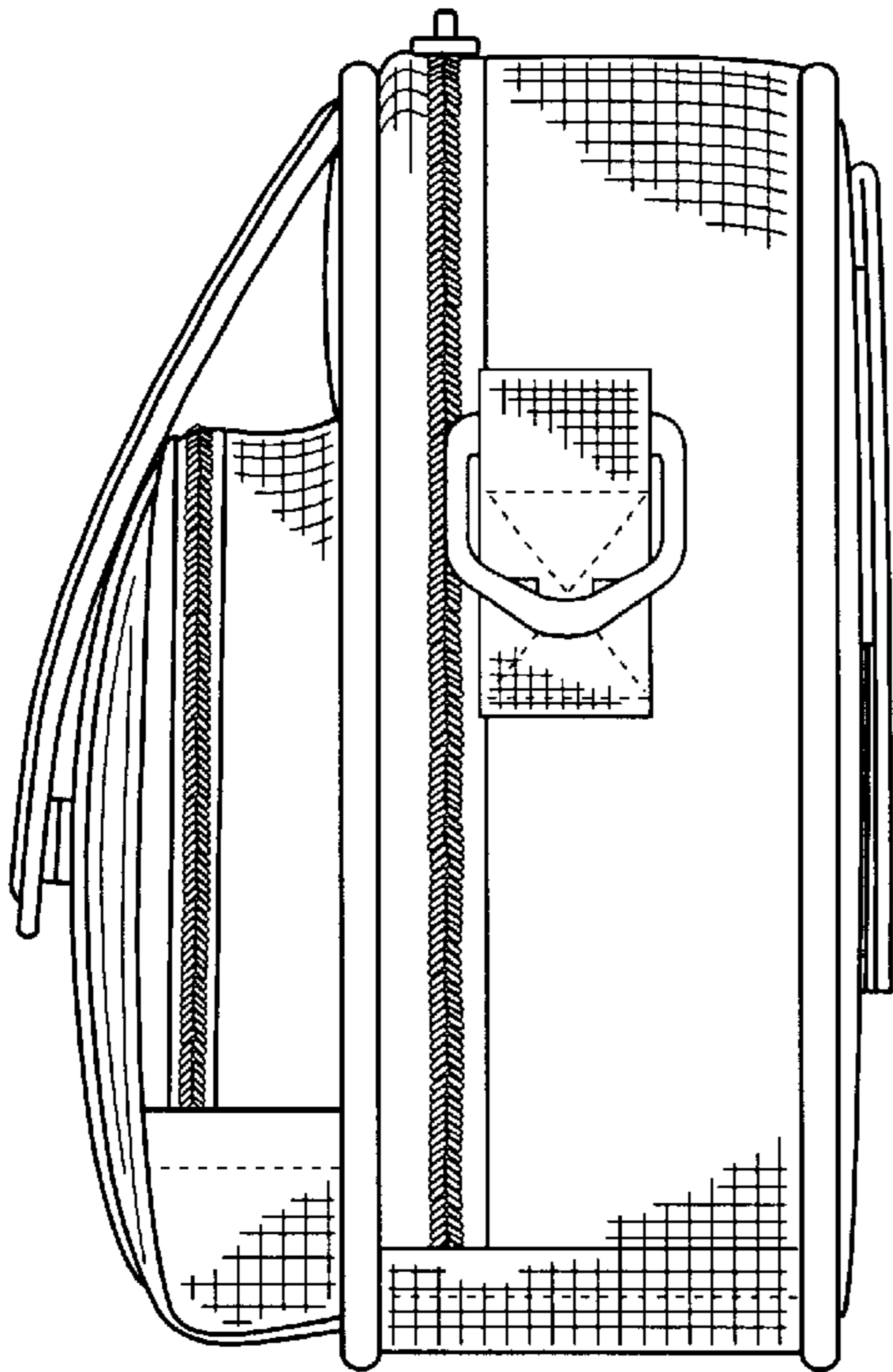


FIG. 18

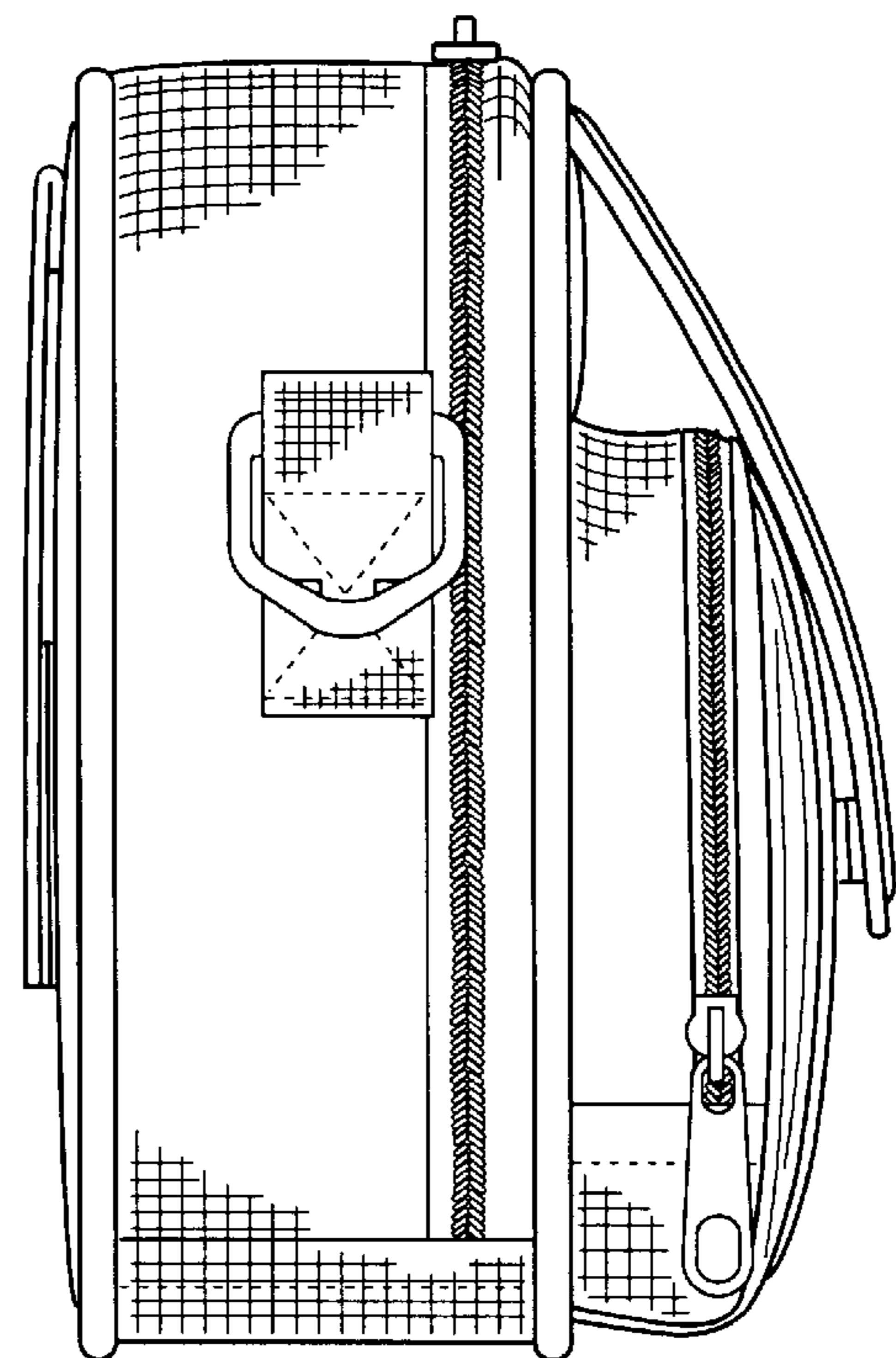


FIG. 19

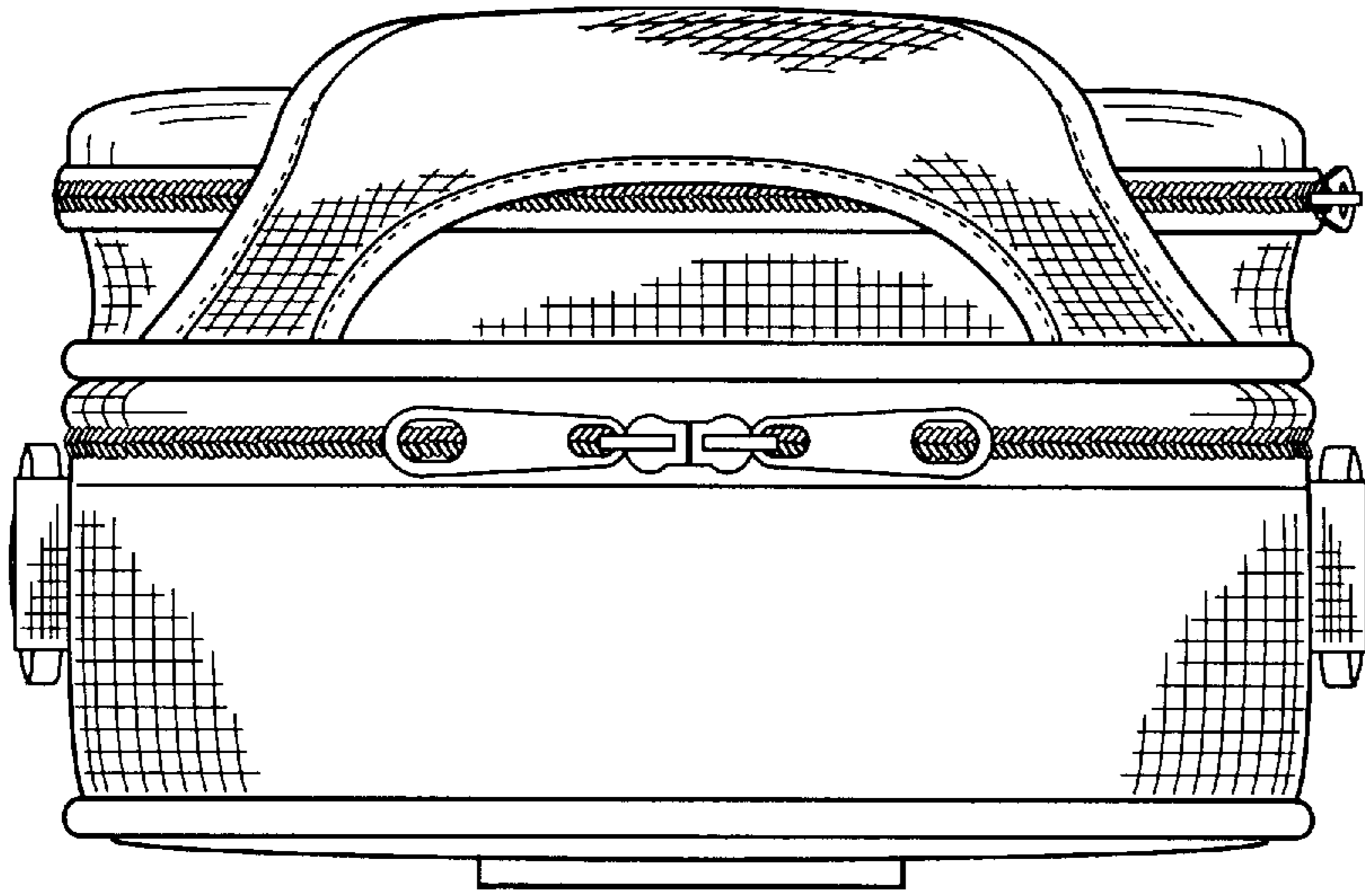


FIG. 20

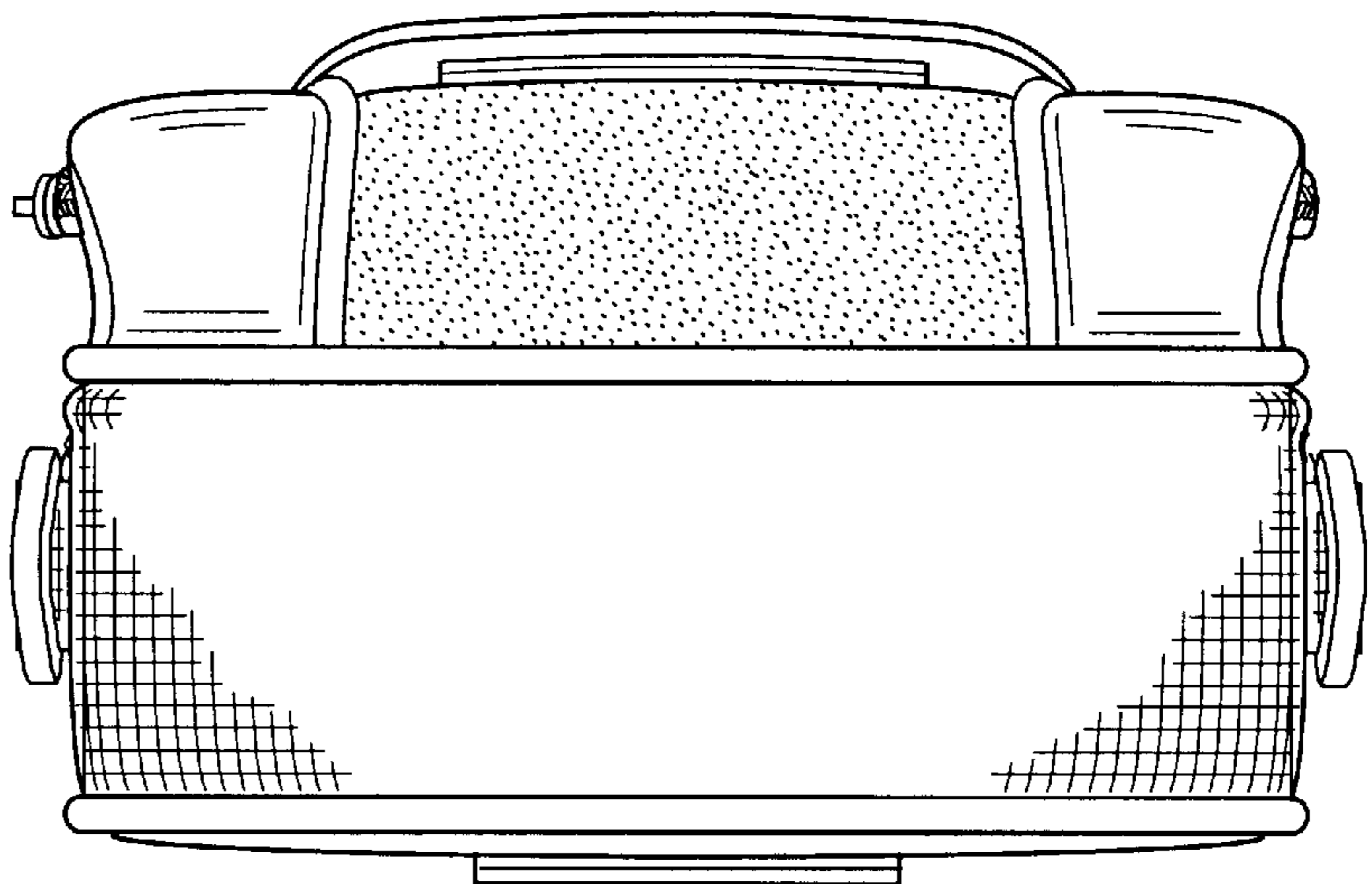


FIG. 21