



US00D477710S

(12) **United States Design Patent**  
**Hillman**

(10) **Patent No.:** **US D477,710 S**

(45) **Date of Patent:** **\*\* Jul. 29, 2003**

(54) **CAMERA CARRYING CASE WITH AN INTERCONNECTED BELT**

(75) Inventor: **Jack L. Hillman**, Colorado Springs, CO (US)

(73) Assignee: **Case Logic, Inc.**, Longmont, CO (US)

(\*\*) Term: **14 Years**

(21) Appl. No.: **29/166,291**

(22) Filed: **Aug. 23, 2002**

(51) **LOC (7) Cl.** ..... **03-01**

(52) **U.S. Cl.** ..... **D3/219; D3/267**

(58) **Field of Search** ..... D3/219, 267, 268, D3/226, 276, 287, 289, 232, 233, 243; 206/316.1, 316.2; 224/583, 908

(56) **References Cited**

**U.S. PATENT DOCUMENTS**

4,424,841	A	*	1/1984	Smith	.....	D3/287	X
D315,827	S	*	4/1991	King	.....	D3/287	
D428,700	S		8/2000	Hillman	.....	D3/287	
D434,897	S		12/2000	Hillman	.....	D3/218	
D436,443	S		1/2001	Hillman	.....	D3/283	
D458,447	S	*	6/2002	Tyler	.....	D3/267	
D466,293	S	*	12/2002	Murdoch et al.	.....	D3/268	

**OTHER PUBLICATIONS**

U.S. patent application Ser. No. 29/166,215, Hillman, filed Aug. 2002.

Case Logic 2000 Catalog, p. 5.

Case Logic What's Inside Survives Catalog, p. 3.

Case Logic 2001 Catalog, pp. 6, 7.

Case Logic 1997 Catalog, pp. 2, 5.

Case It, Catalog 2001, p. 3.

Tamrac 20th Anniversary Catalog, pp. 40, 41, 49.

Ambico Video Luggage and Photo Cases, p. 8.

Targus Digital Camera and Photo Cases, p. 2.

\* cited by examiner

*Primary Examiner*—Catherine R. Oliver

(74) *Attorney, Agent, or Firm*—Sheridan Ross P.C.

(57) **CLAIM**

The ornamental design for a camera carrying case with an interconnected belt, as shown and described.

**DESCRIPTION**

FIG. 1 is a front perspective view of a camera carrying case with an interconnected belt showing my new design, the broken lines depicting environment and forming no part of the claimed design;

FIG. 2 is a front elevation view of the invention illustrated in FIG. 1;

FIG. 3 is a rear elevation view of the invention illustrated in FIG. 1;

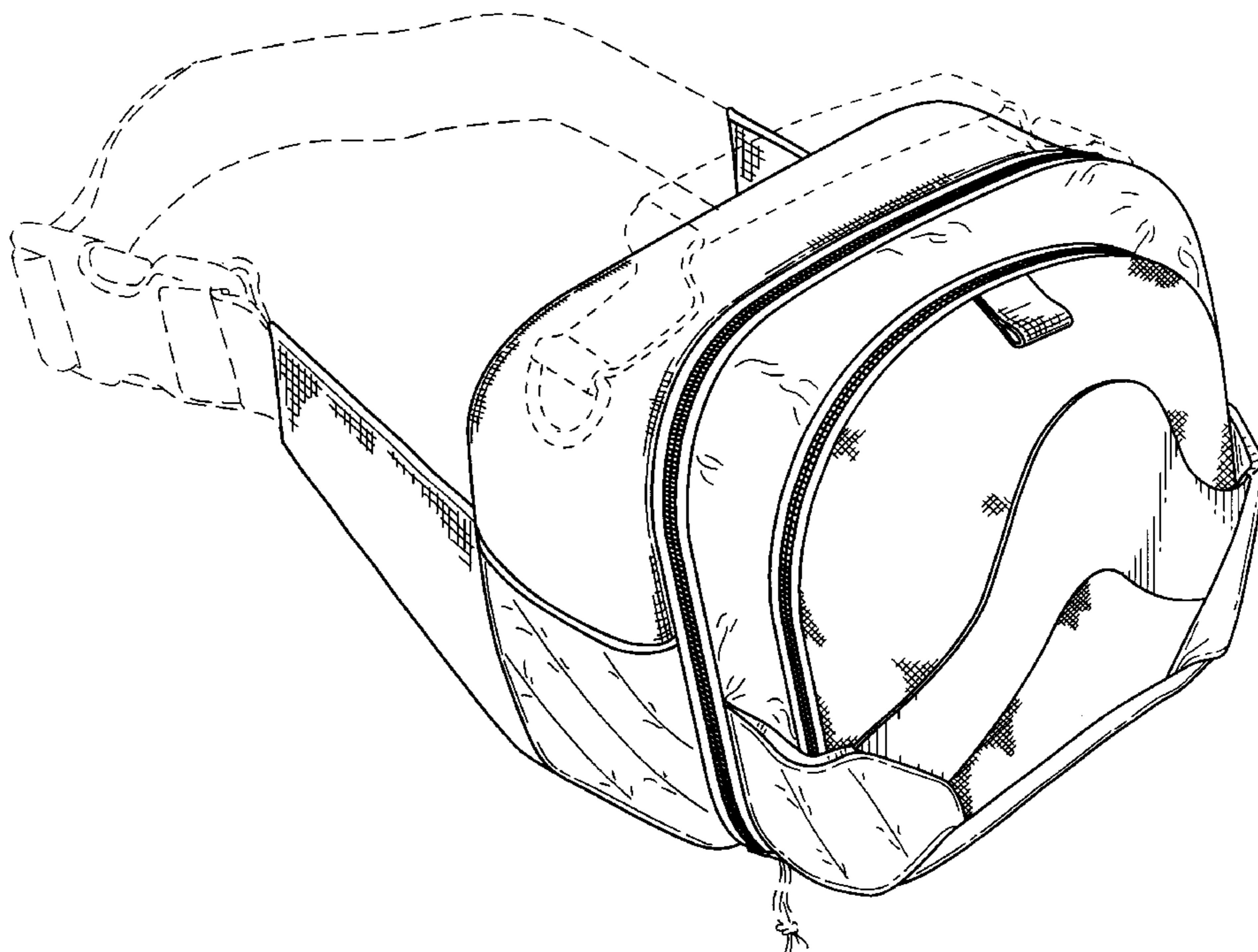
FIG. 4 is a right elevation view of the invention illustrated in FIG. 1;

FIG. 5 is left elevation view of the invention illustrated in FIG. 1;

FIG. 6 is a top plan view of the invention illustrated in FIG. 1; and,

FIG. 7 is a bottom plan view of the invention illustrated in FIG. 1.

**1 Claim, 6 Drawing Sheets**



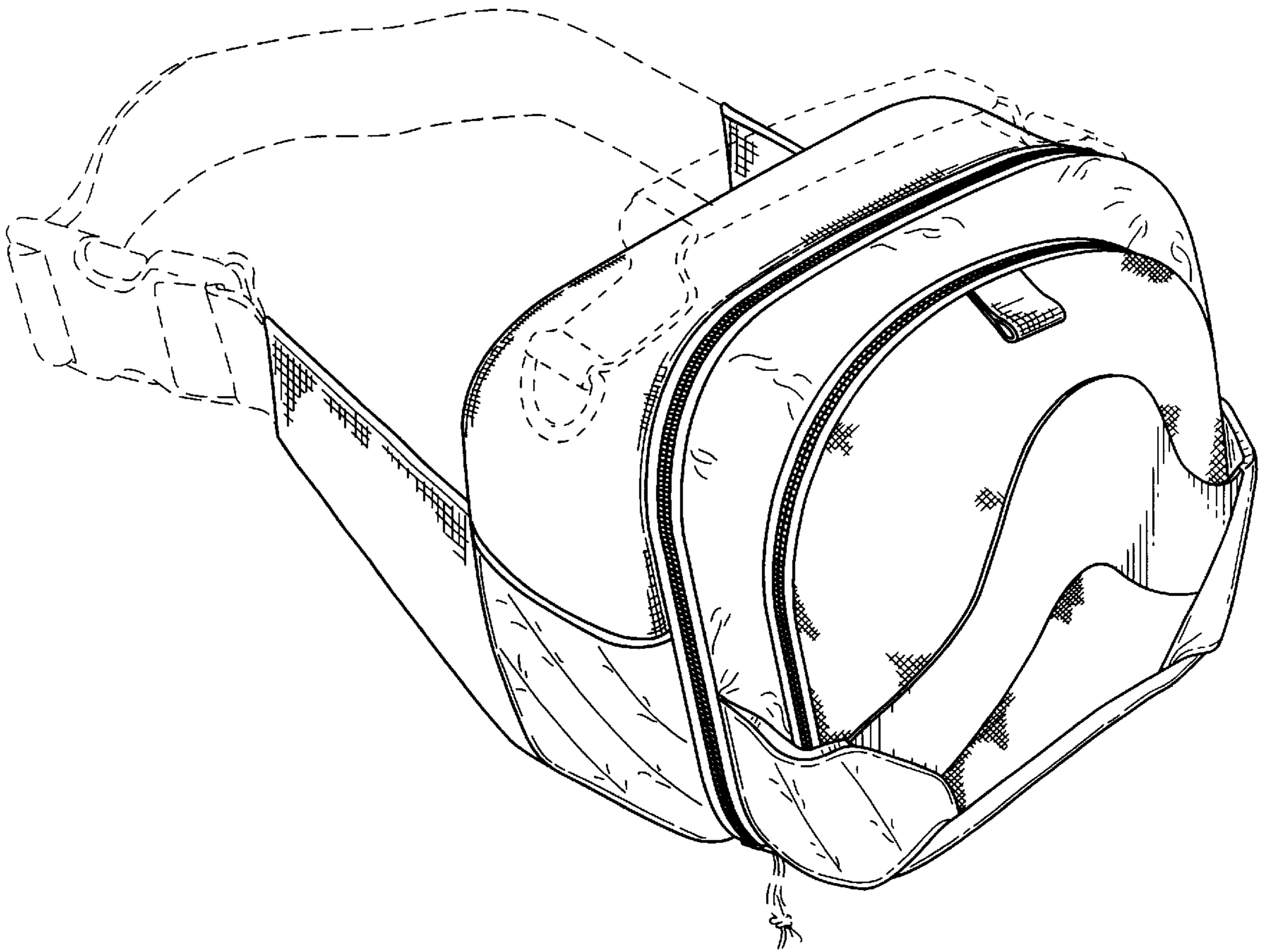


FIG.1

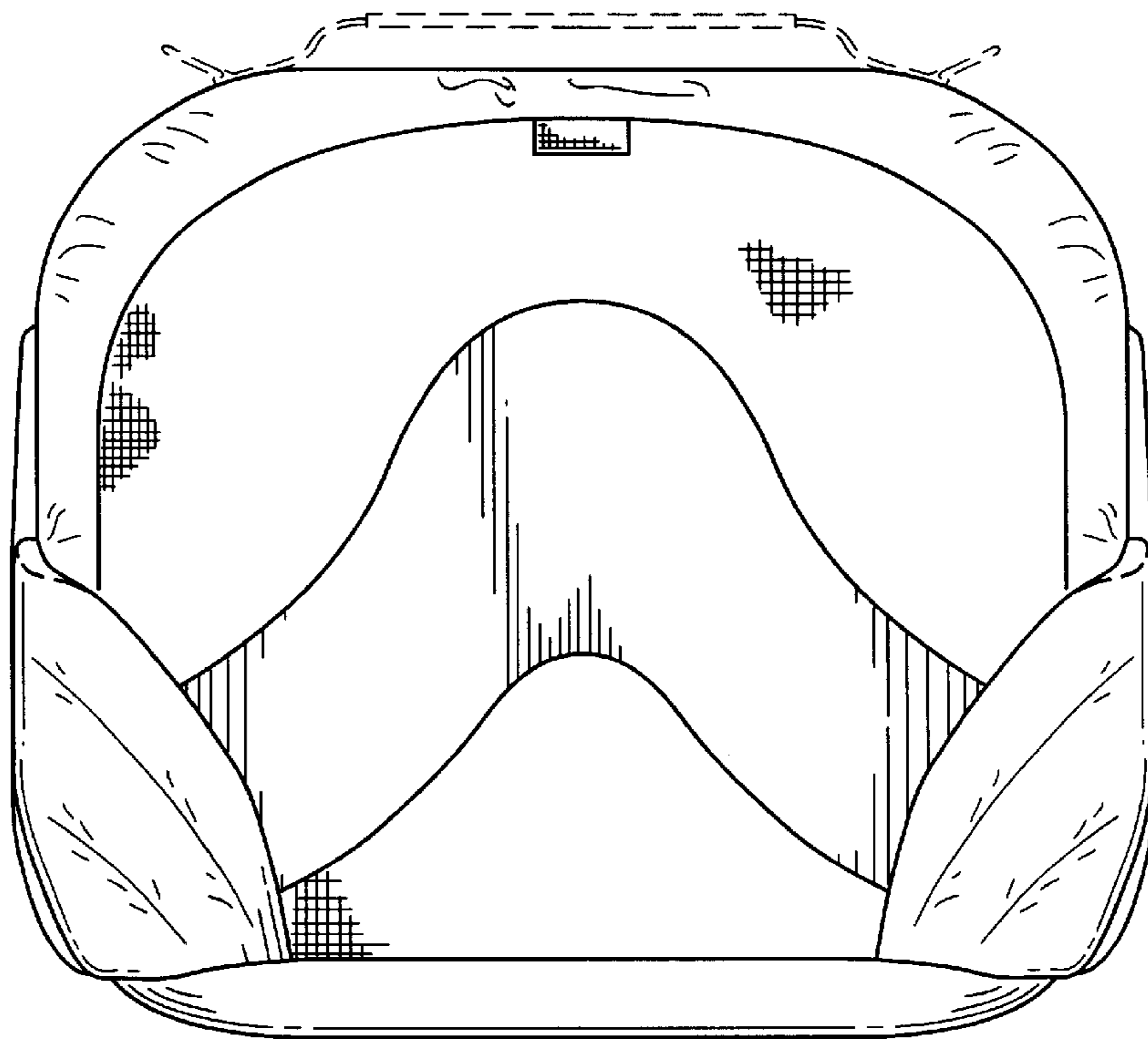


FIG. 2

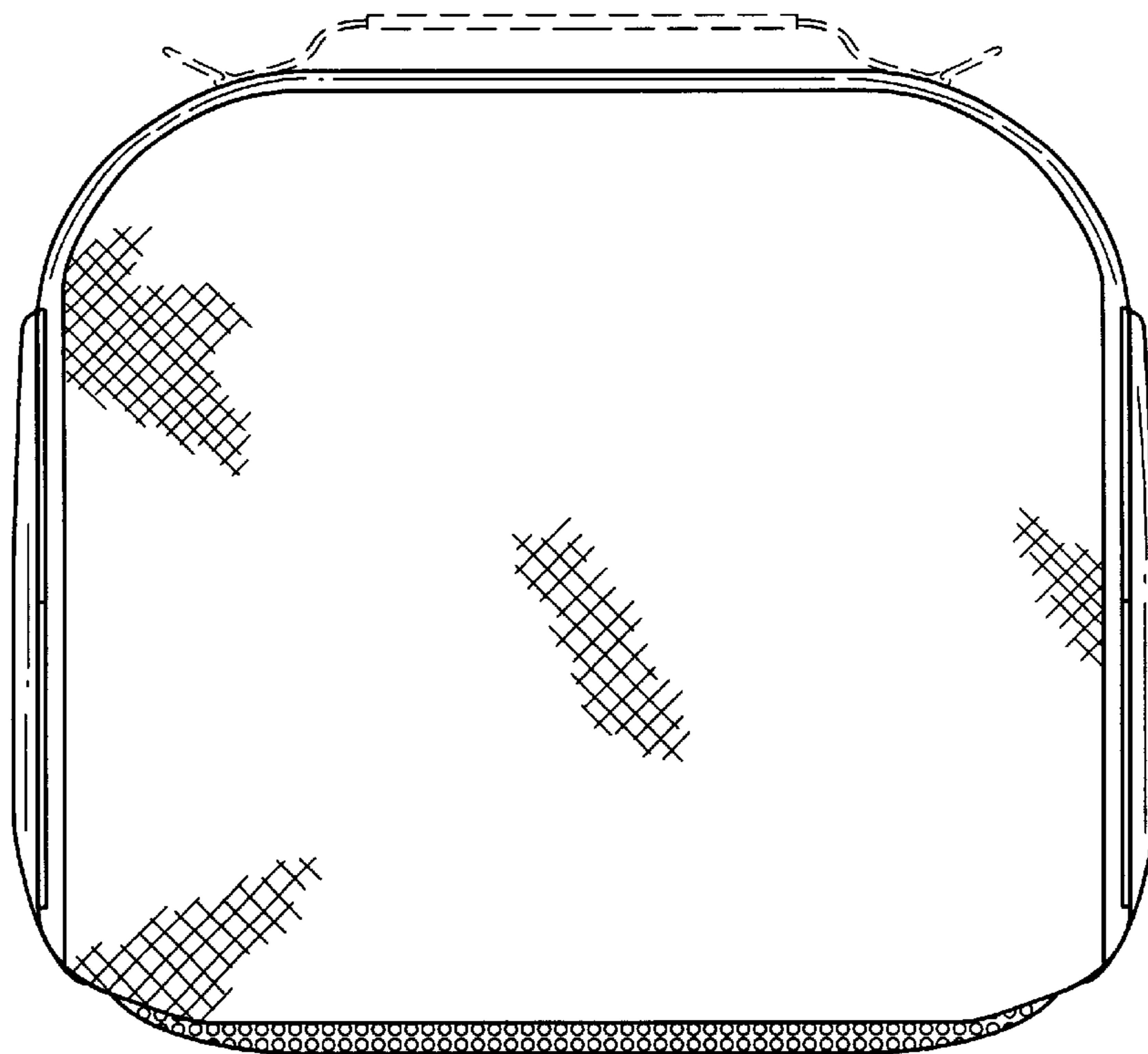


FIG. 3

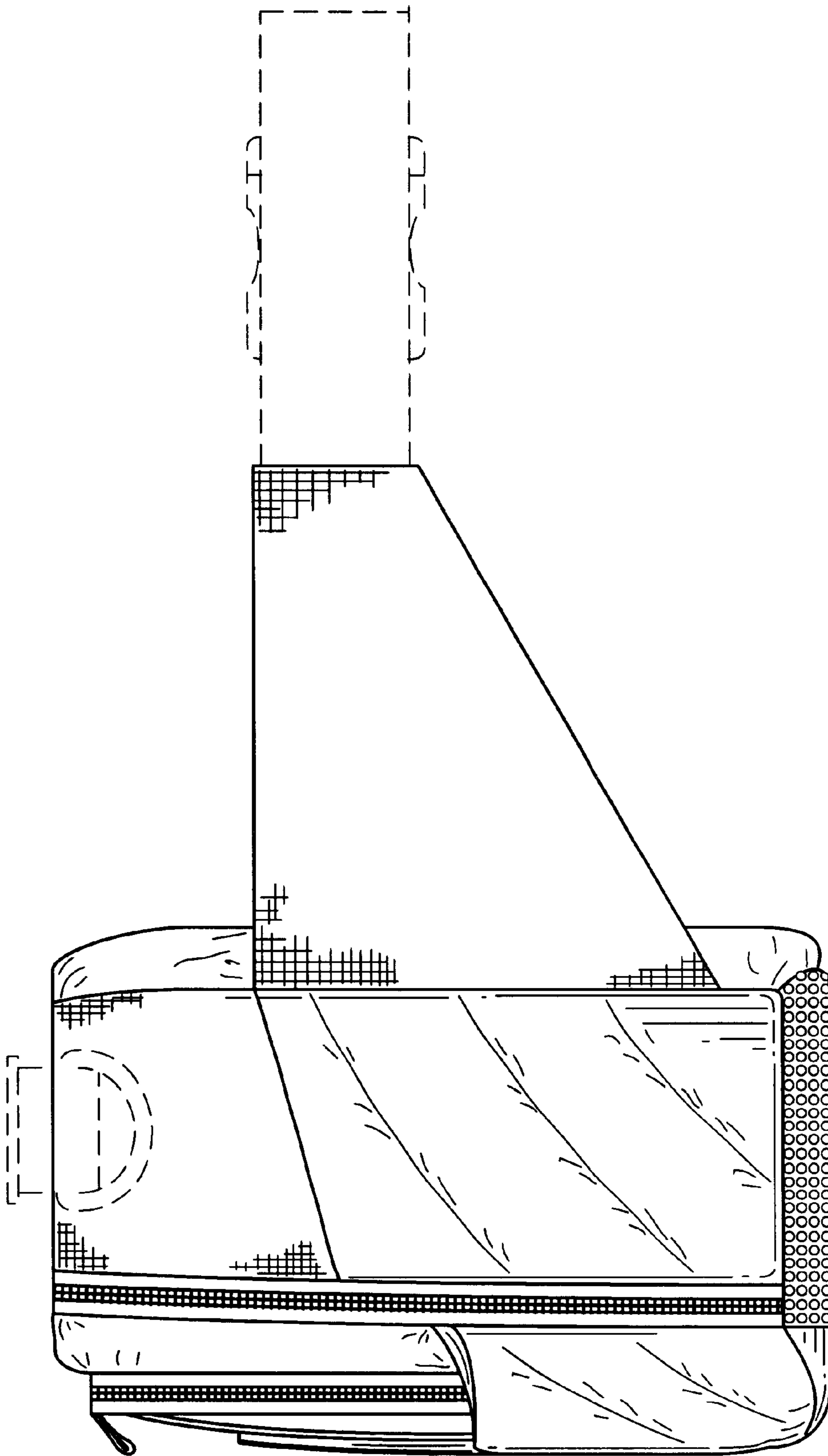


FIG.4

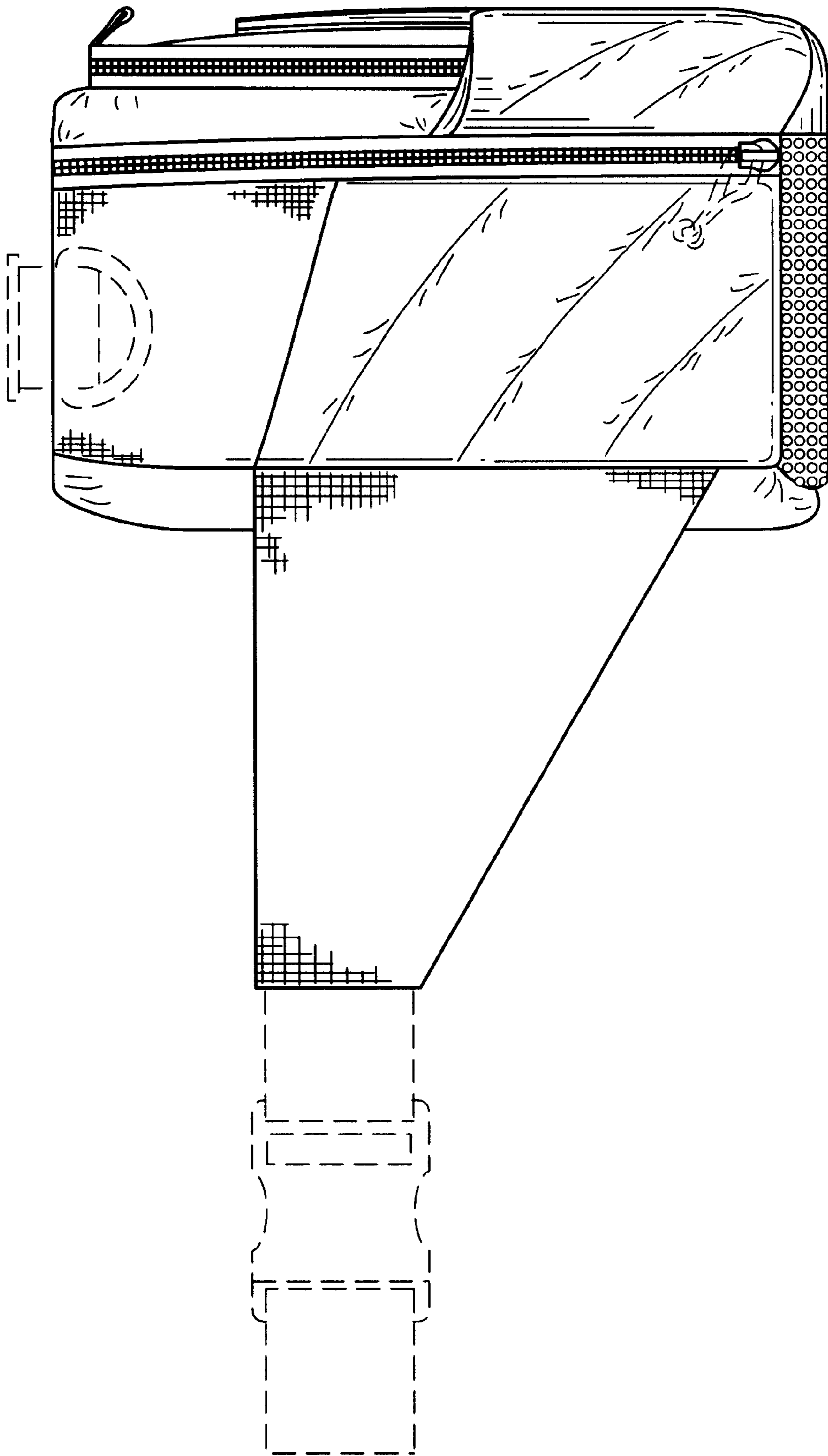


FIG.5

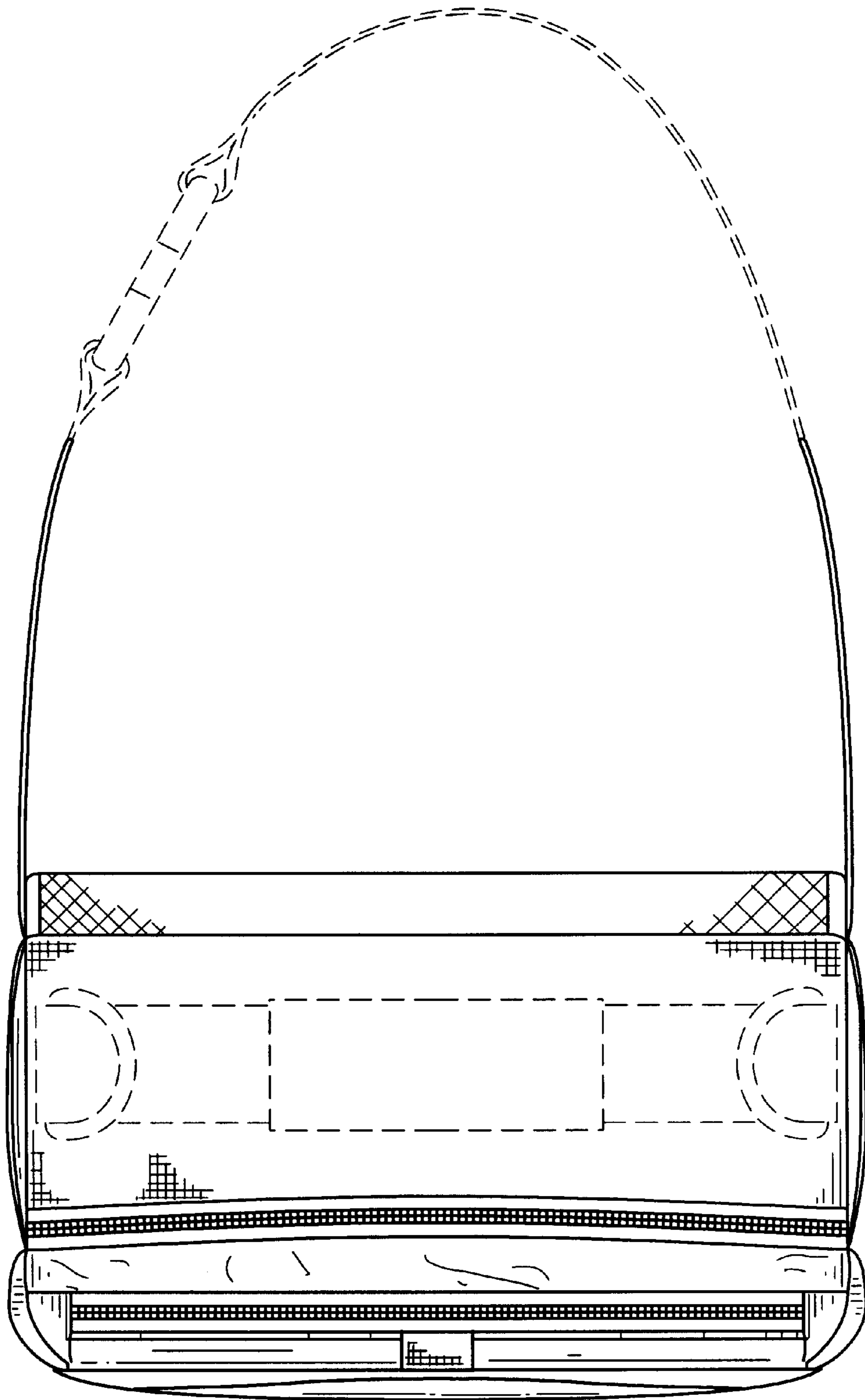


FIG.6

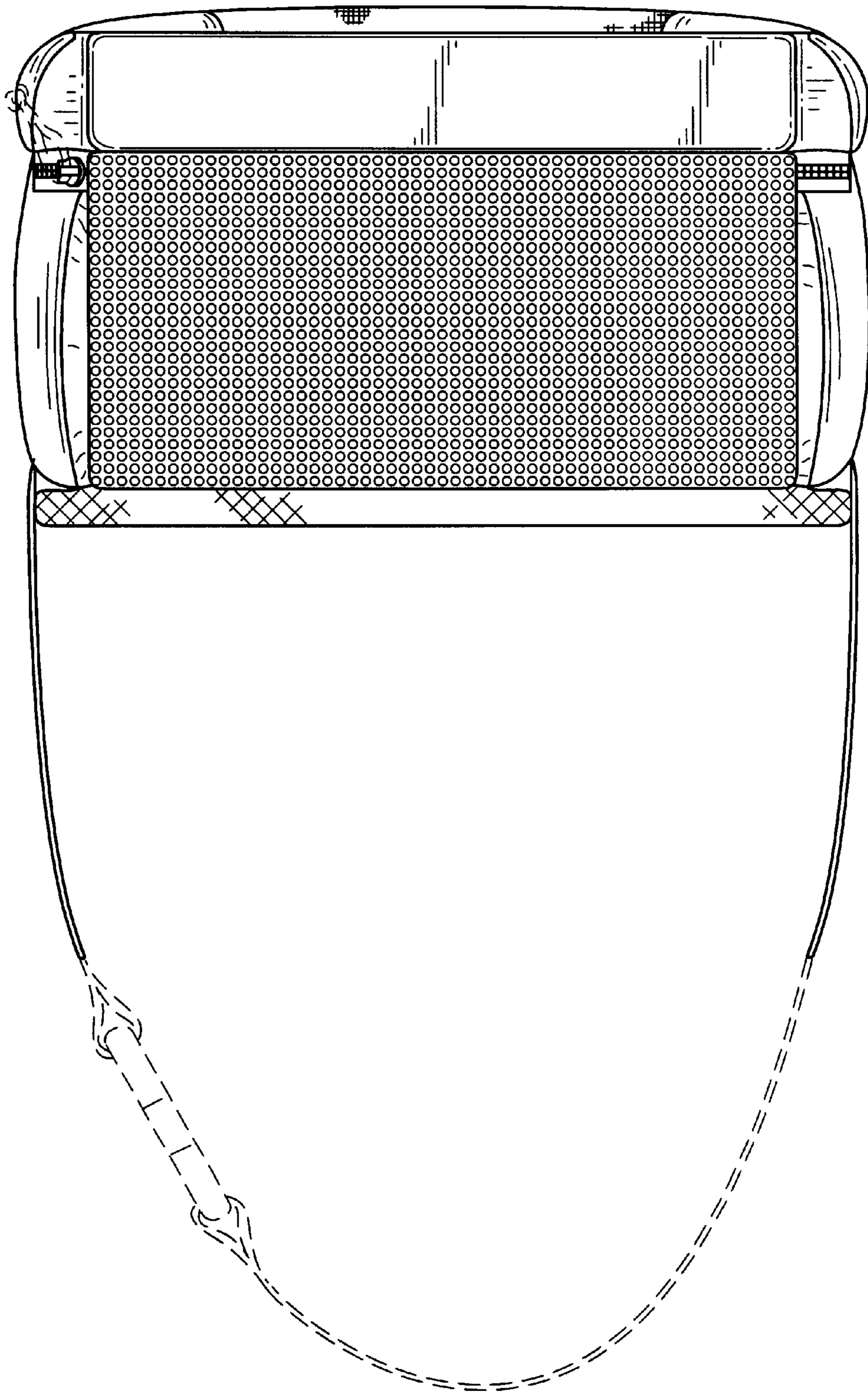


FIG.7