



US00D477709S

(12) **United States Design Patent**  
**Natividad**

(10) **Patent No.:** **US D477,709 S**

(45) **Date of Patent:** **\*\* Jul. 29, 2003**

(54) **CELLULAR PHONE STRAP**

(76) Inventor: **Marc A. Natividad**, 2638 S. Barrington Ave., #103, Los Angeles, CA (US) 90064

(\*\*) Term: **14 Years**

(21) Appl. No.: **29/167,203**

(22) Filed: **Sep. 10, 2002**

(51) **LOC (7) Cl.** ..... **03-01**

(52) **U.S. Cl.** ..... **D3/218; D3/215**

(58) **Field of Search** ..... D3/215, 207-211; 70/456 B, 456 R, 457, 458; 24/3.6, 3 K; D11/7, 8

(56) **References Cited**

**U.S. PATENT DOCUMENTS**

D253,676 S \* 12/1979 Mathieson ..... D3/207

D382,503 S \* 8/1997 Kalbach ..... D11/7  
D386,610 S \* 11/1997 Wright ..... D3/207  
D435,721 S \* 1/2001 Lukach ..... D3/215  
D437,995 S \* 2/2001 Perthou ..... D3/207

\* cited by examiner

*Primary Examiner*—Catherine R. Oliver

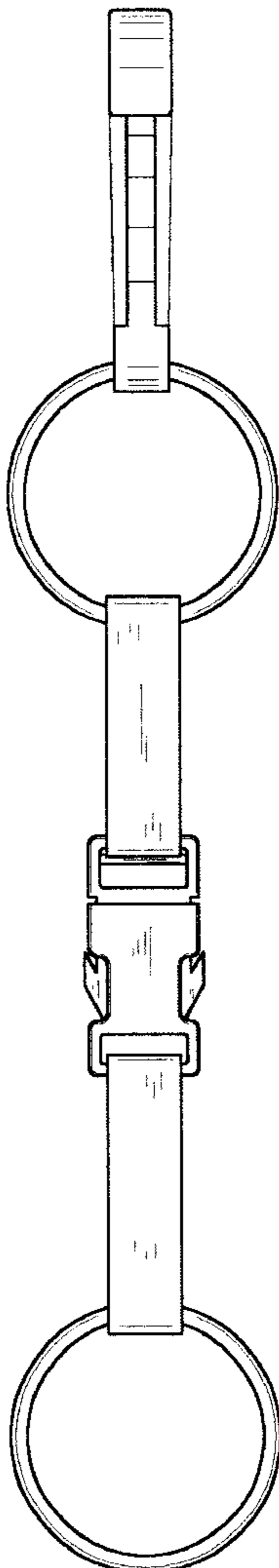
(57) **CLAIM**

The ornamental design for a cellular phone strap, as shown and described.

**DESCRIPTION**

FIG. 1 is a front elevated view of a cellular phone strap showing my new design.  
FIG. 2 is a rear elevated view of the cellular phone strap.  
FIG. 3 is a side elevated view of the cellular phone strap.  
FIG. 4 is a top view of the cellular phone strap; and,  
FIG. 5 is a bottom view of the cellular phone strap.

**1 Claim, 1 Drawing Sheet**



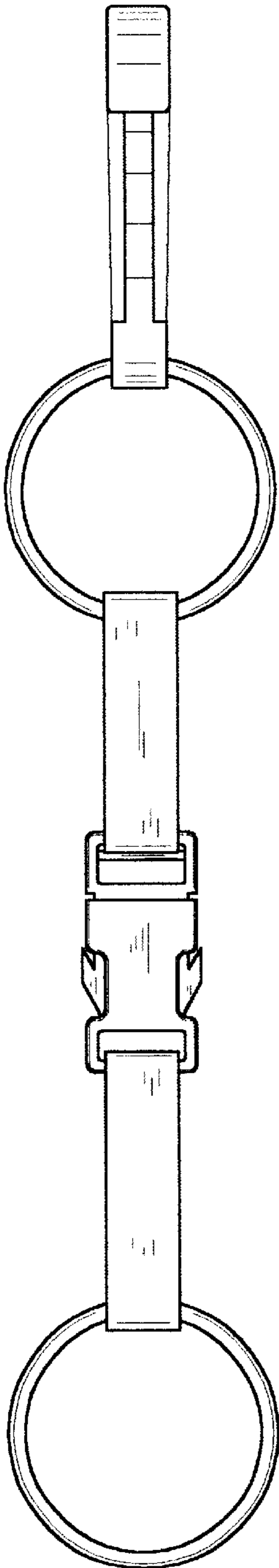


FIG. 1

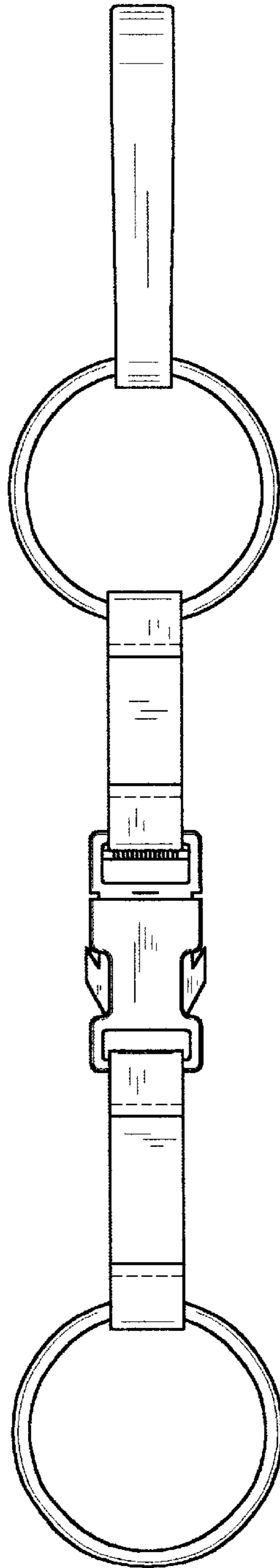


FIG. 2

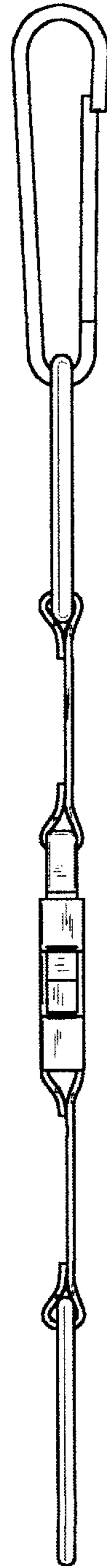


FIG. 3

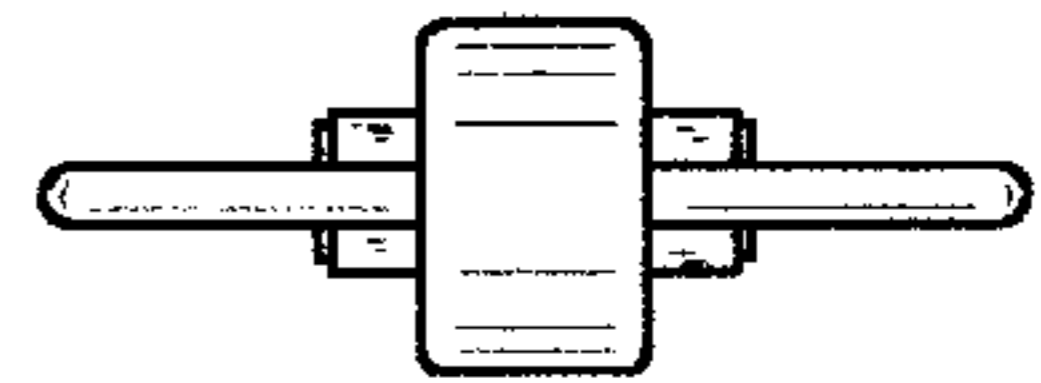


FIG. 4



FIG. 5