



US00D477706S

(12) **United States Design Patent**
Kobayashi

(10) **Patent No.:** **US D477,706 S**

(45) **Date of Patent:** **** Jul. 29, 2003**

(54) **HOOD**

6,029,278 A * 2/2000 Lopez 2/209.13

(76) Inventor: **Toyohiro Kobayashi**, 2-11, Sumiredai
2-chome, Yaizu-shi, Shizuoka (JP),
425-0053

* cited by examiner

Primary Examiner—Doris V. Coles
Assistant Examiner—Mimosa De

(**) Term: **14 Years**

(57) **CLAIM**

(21) Appl. No.: **29/167,635**

The ornamental design for a hood, as shown.

(22) Filed: **Sep. 17, 2002**

DESCRIPTION

(51) **LOC (7) Cl.** **02-03**

(52) **U.S. Cl.** **D2/878**

(58) **Field of Search** D2/865, 866, 870,
D2/871, 872, 875, 876, 879, 882, 884,
891, 894; 2/171, 172, 181, 181.4, 195.1,
195.2, 195.3, 207, 10, 12, 209.3, 209.13

FIG. 1 is a front view of a hood showing my new design;
FIG. 2 is a back view thereof;
FIG. 3 is a right side view thereof;
FIG. 4 is a left side view thereof;
FIG. 5 is a top plan view thereof;
FIG. 6 is a bottom view thereof;
FIG. 7 is a side view thereof, showing a hood in partially
used condition; and,
FIG. 8 is a side view thereof showing a hood in fully used
condition.

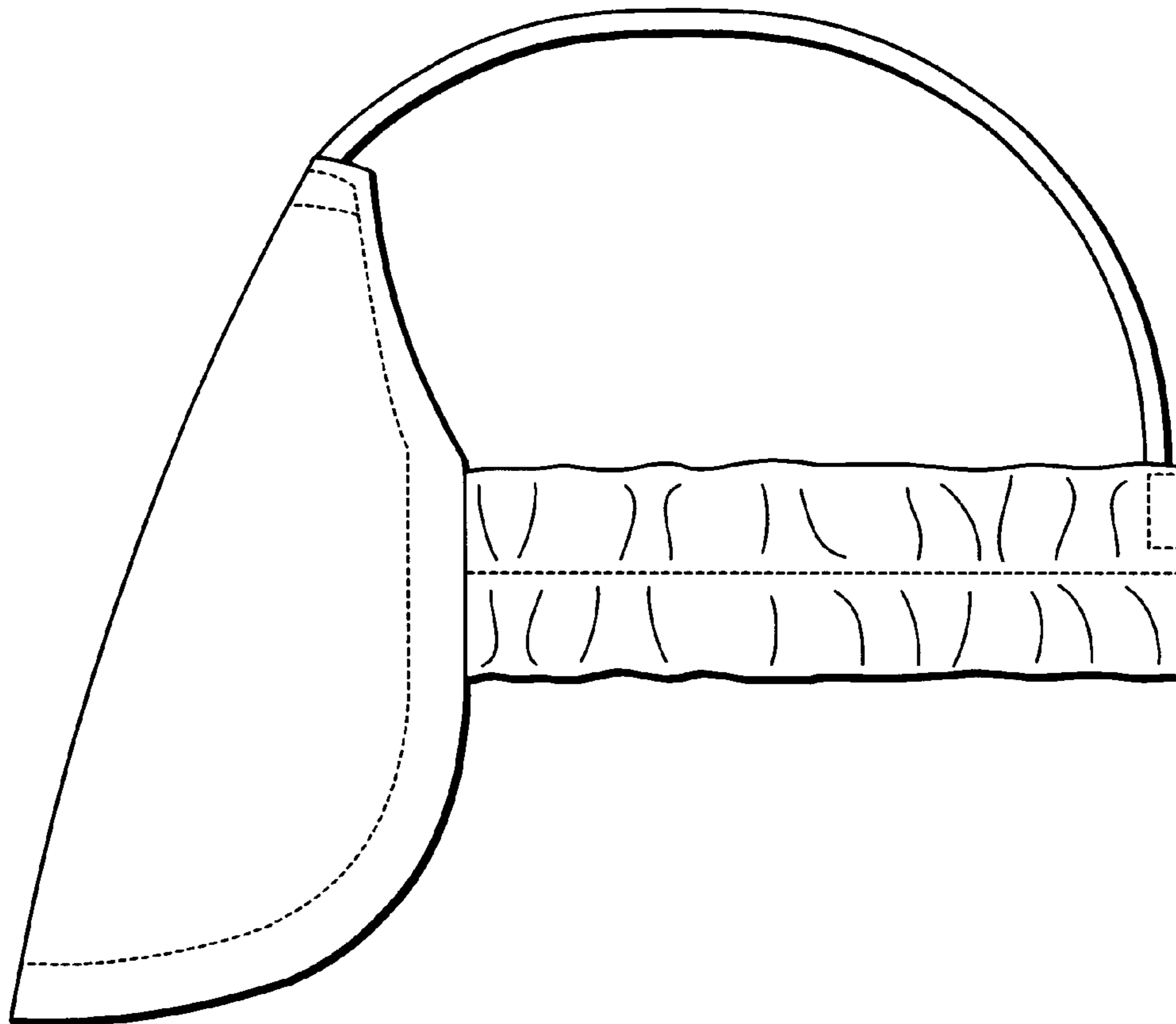
(56) **References Cited**

U.S. PATENT DOCUMENTS

1,631,210 A * 6/1927 Johnson 2/12
1,909,686 A * 5/1933 Kindall 2/172
D199,931 S * 12/1964 Kline D29/110
5,046,195 A * 9/1991 Koritan 2/172
D355,753 S * 2/1995 Barrett, Jr. D2/866
5,860,165 A * 1/1999 Cvijanovich 2/195.1
D420,493 S * 2/2000 Blake D2/866

The broken lines showing of a human head in FIG. 7 and a
human head with hat in FIG. 8 are for illustrative purposes
only and form no part of the claimed design. The broken
lines shown on the sweatband and flap of the hood represent
stitching.

1 Claim, 4 Drawing Sheets



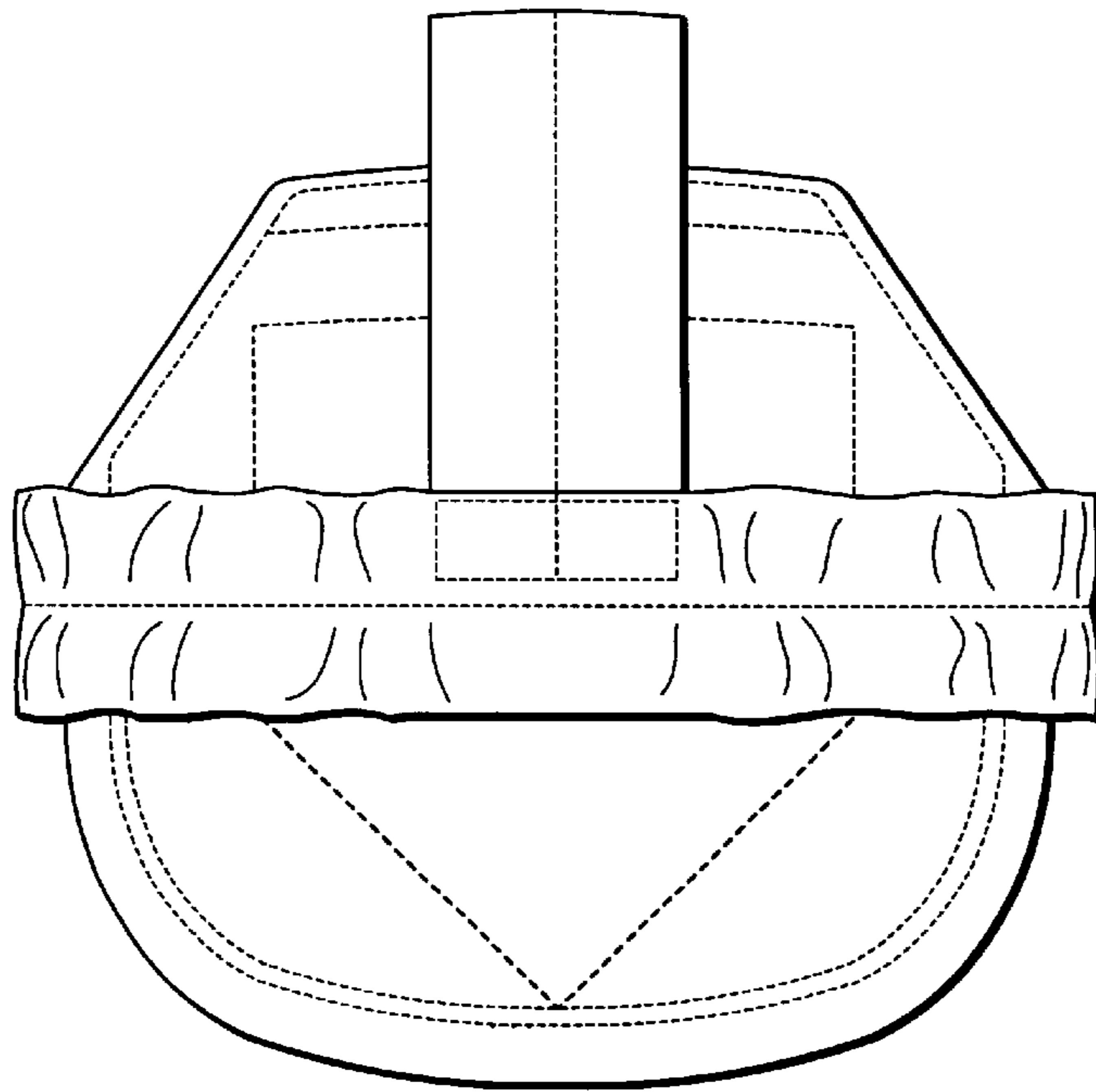


FIG. 1

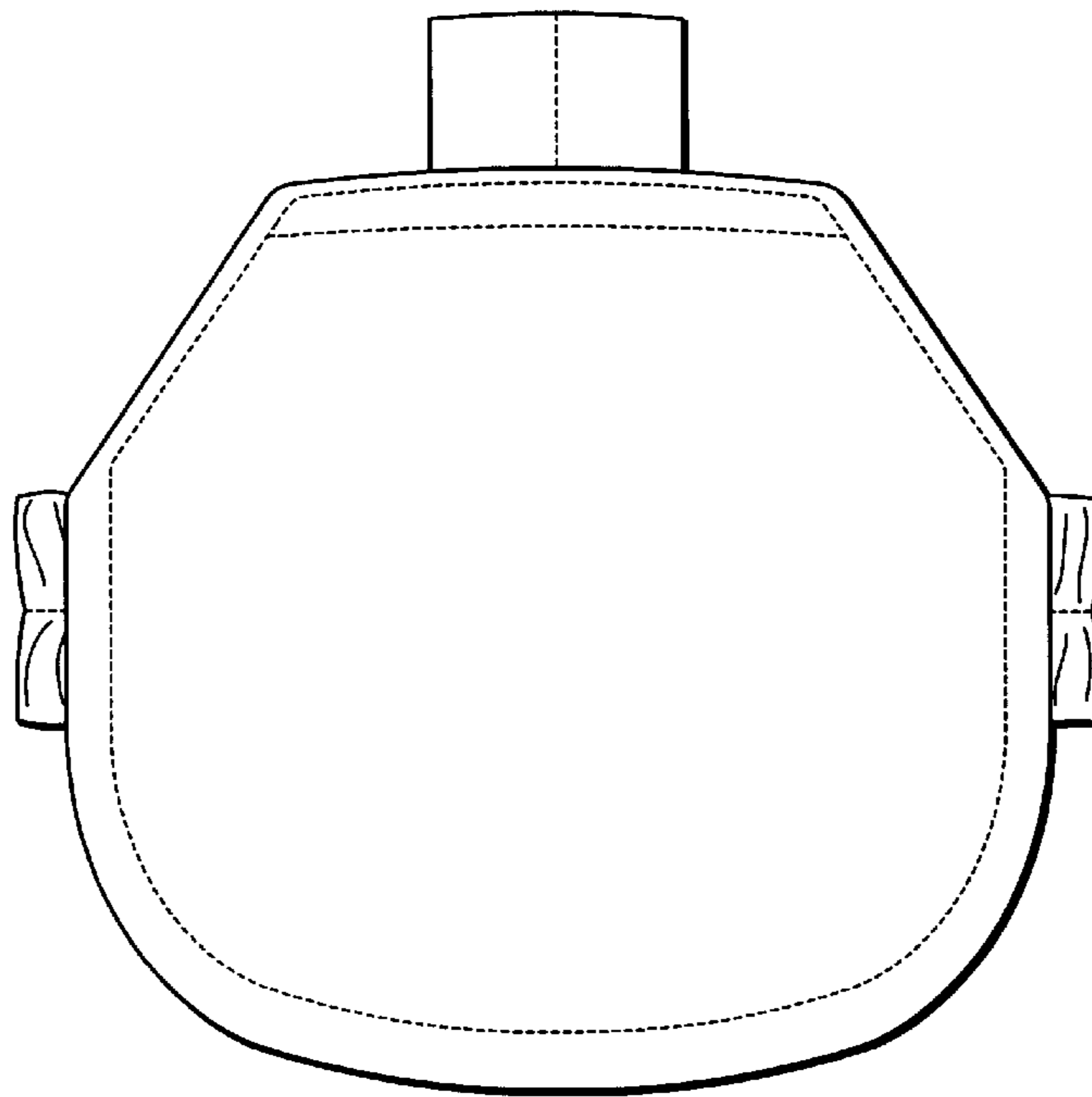


FIG. 2

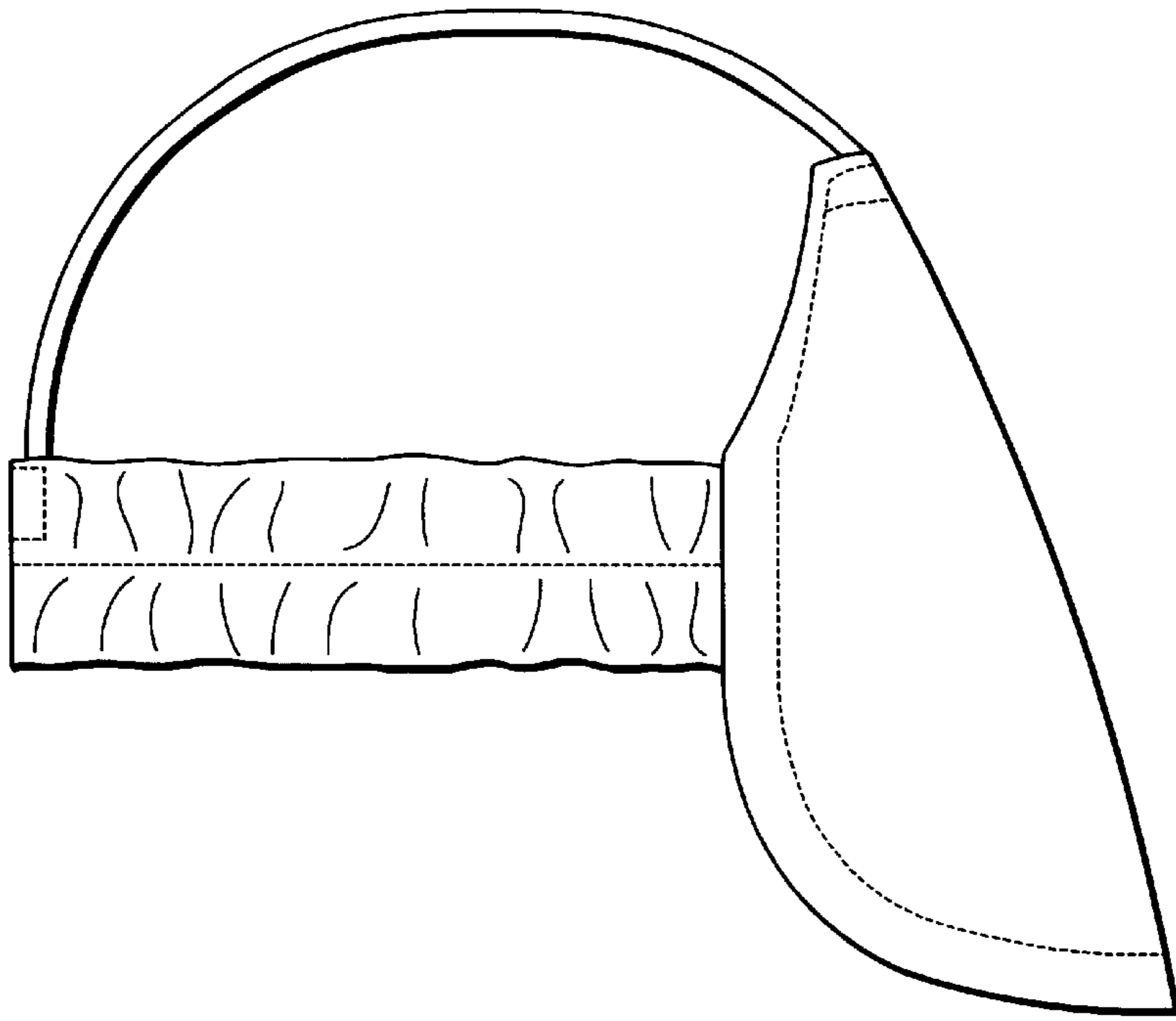


FIG. 3

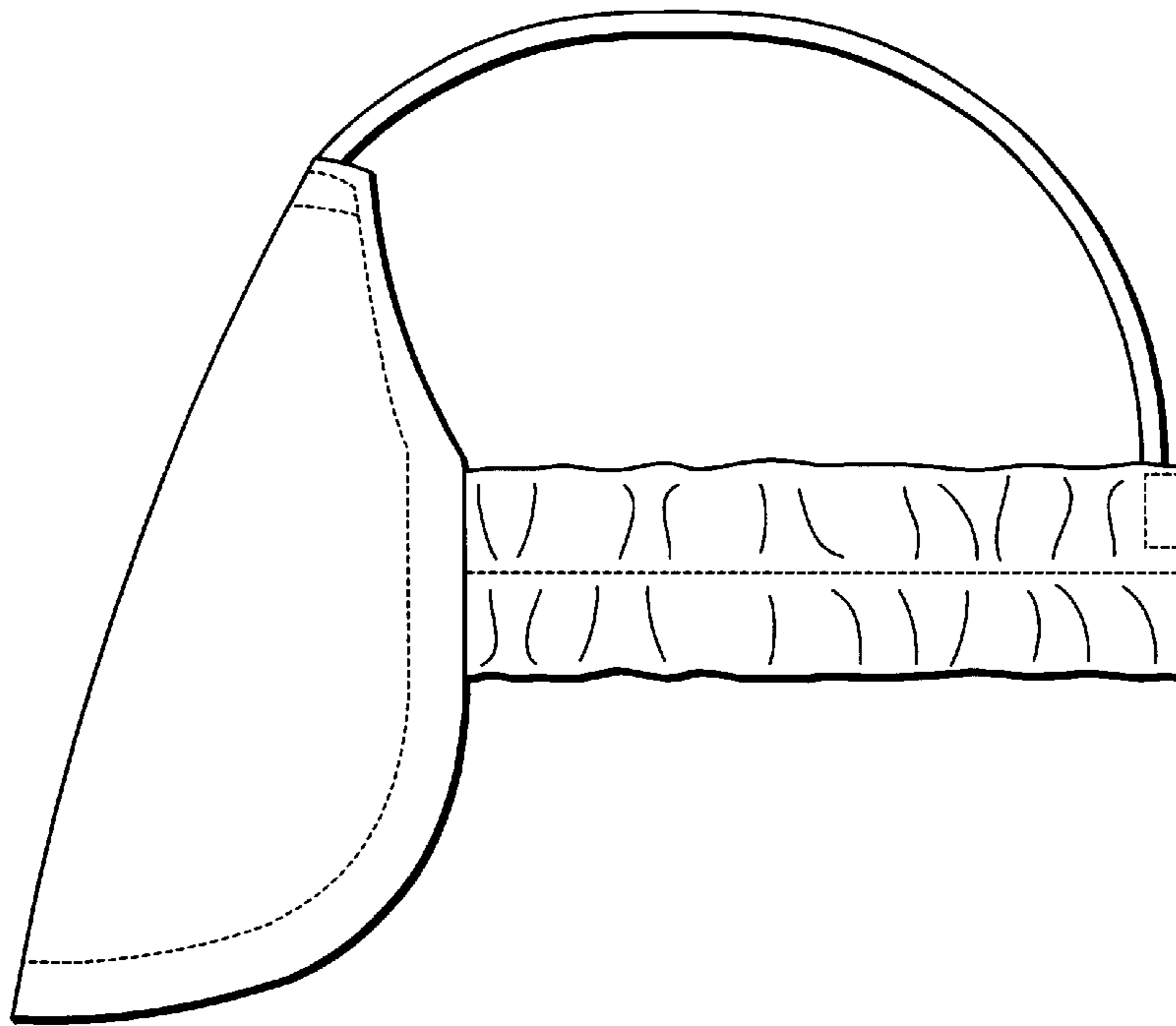


FIG. 4

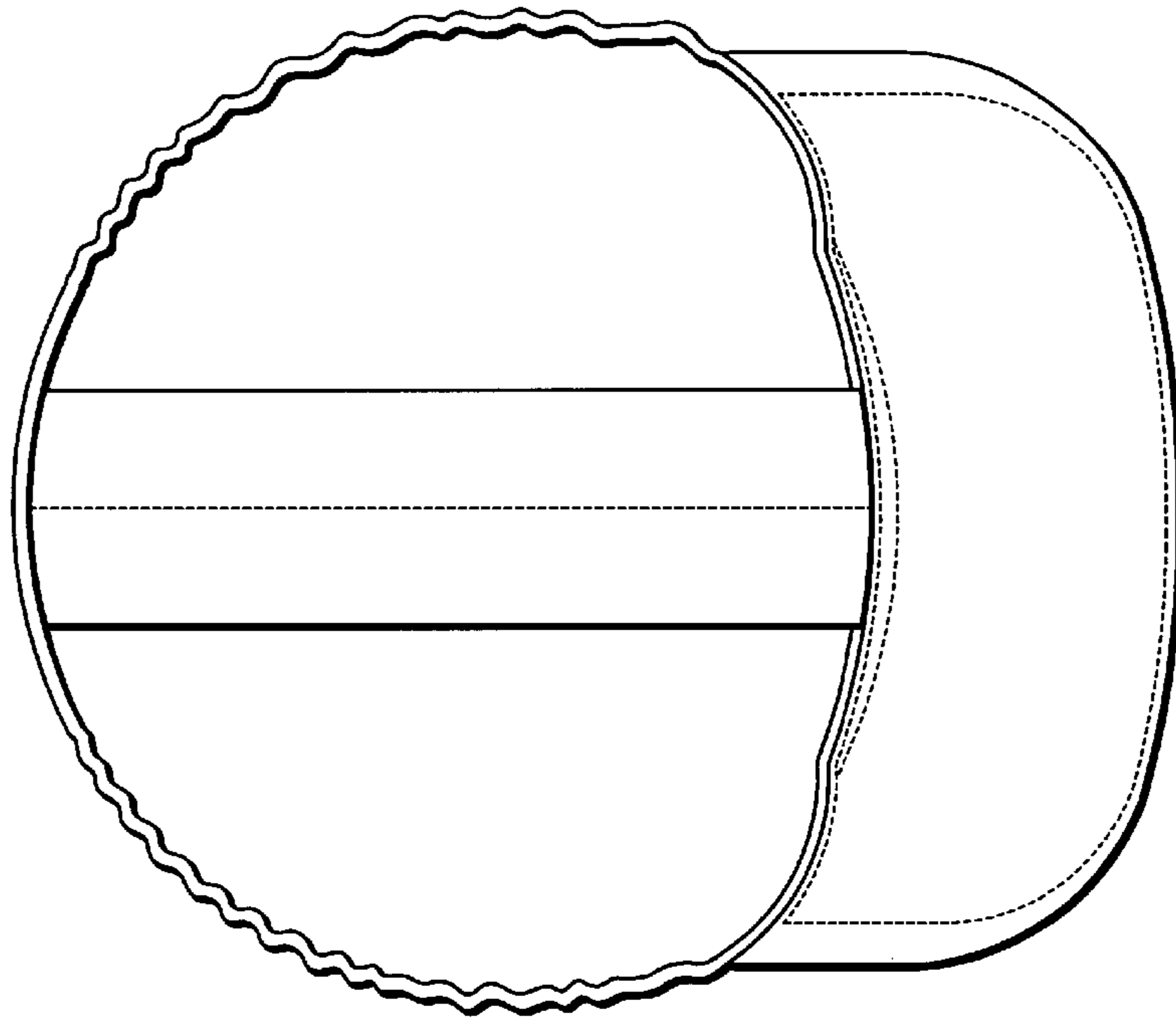


FIG. 5

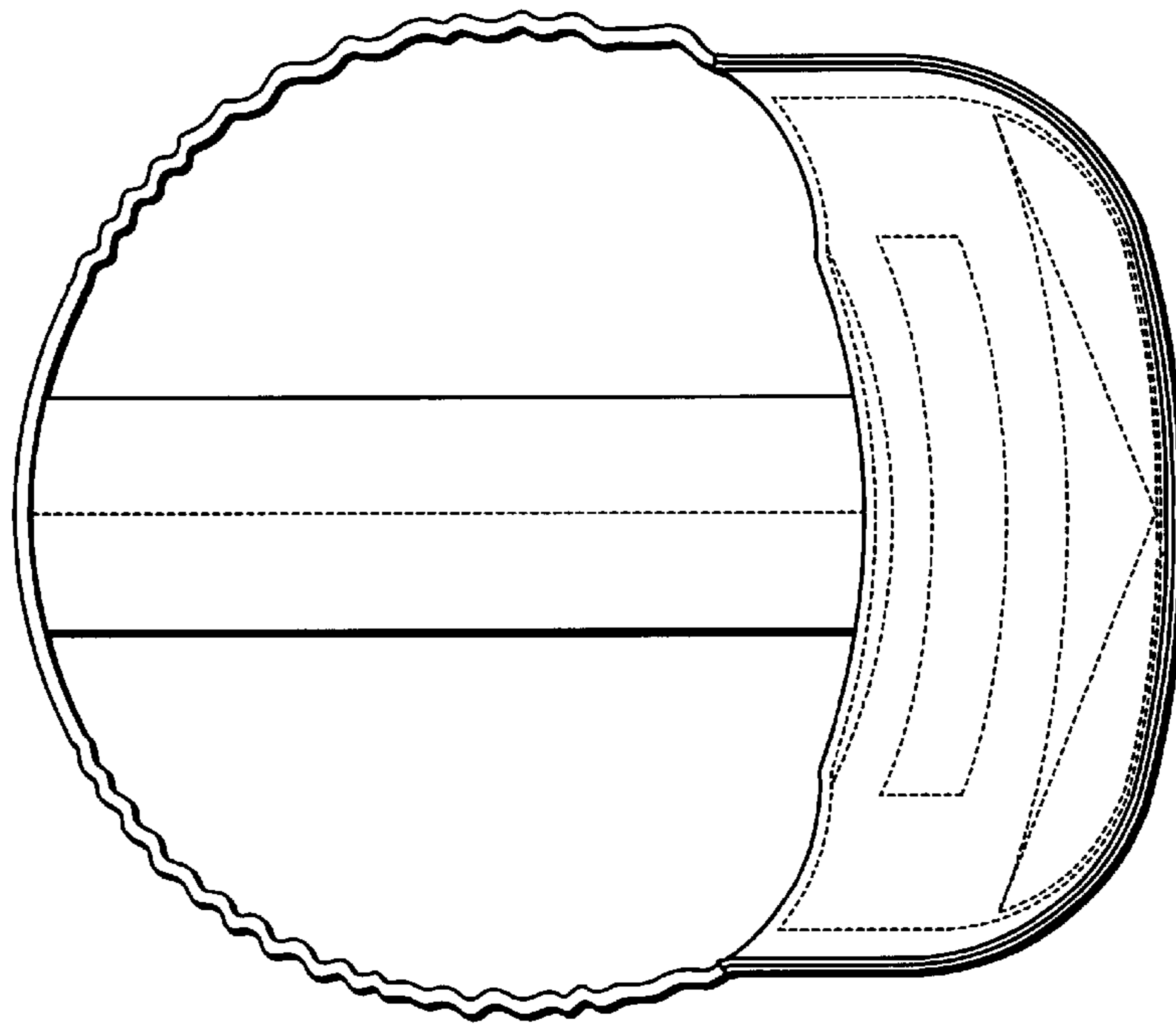


FIG. 6

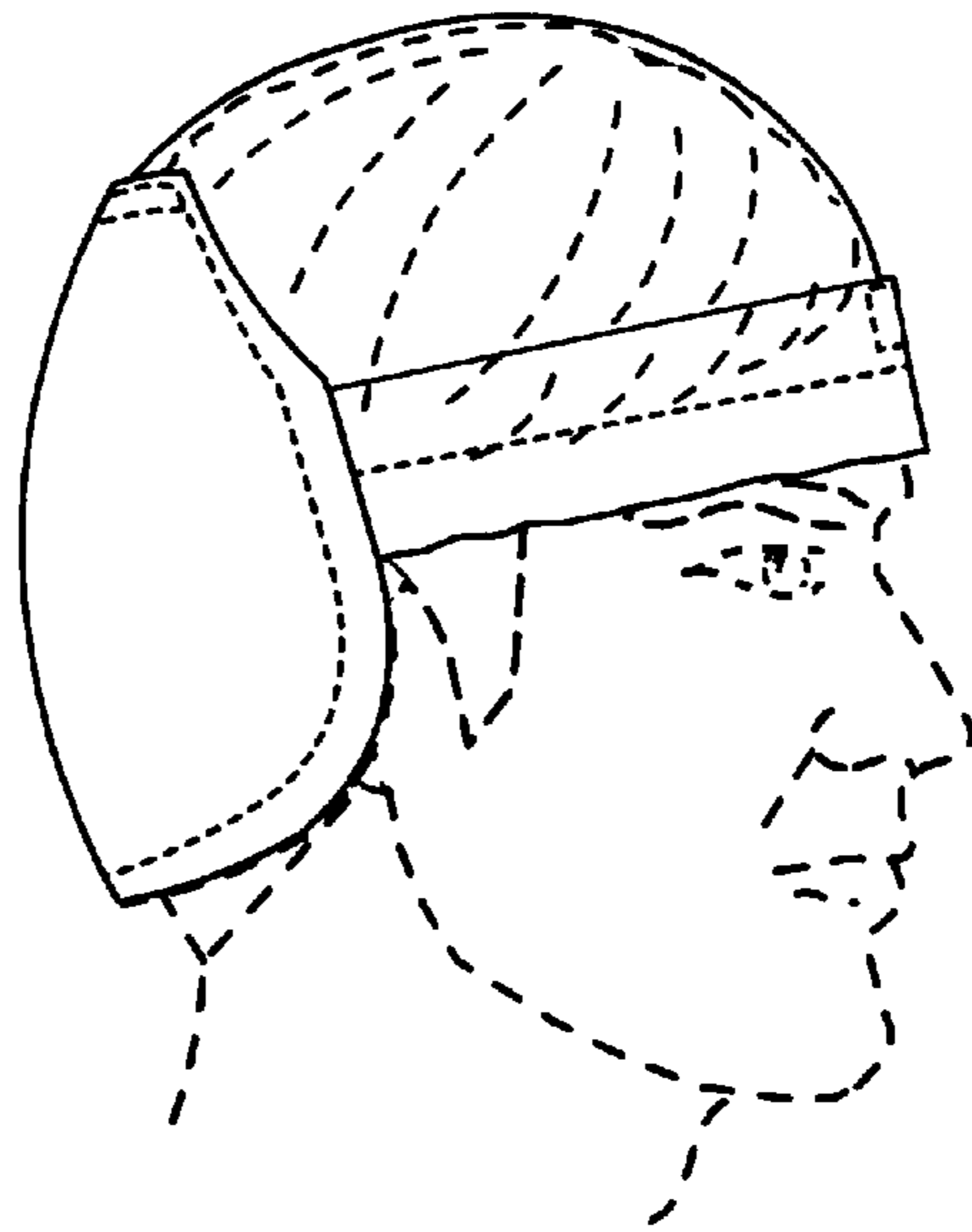


FIG. 7

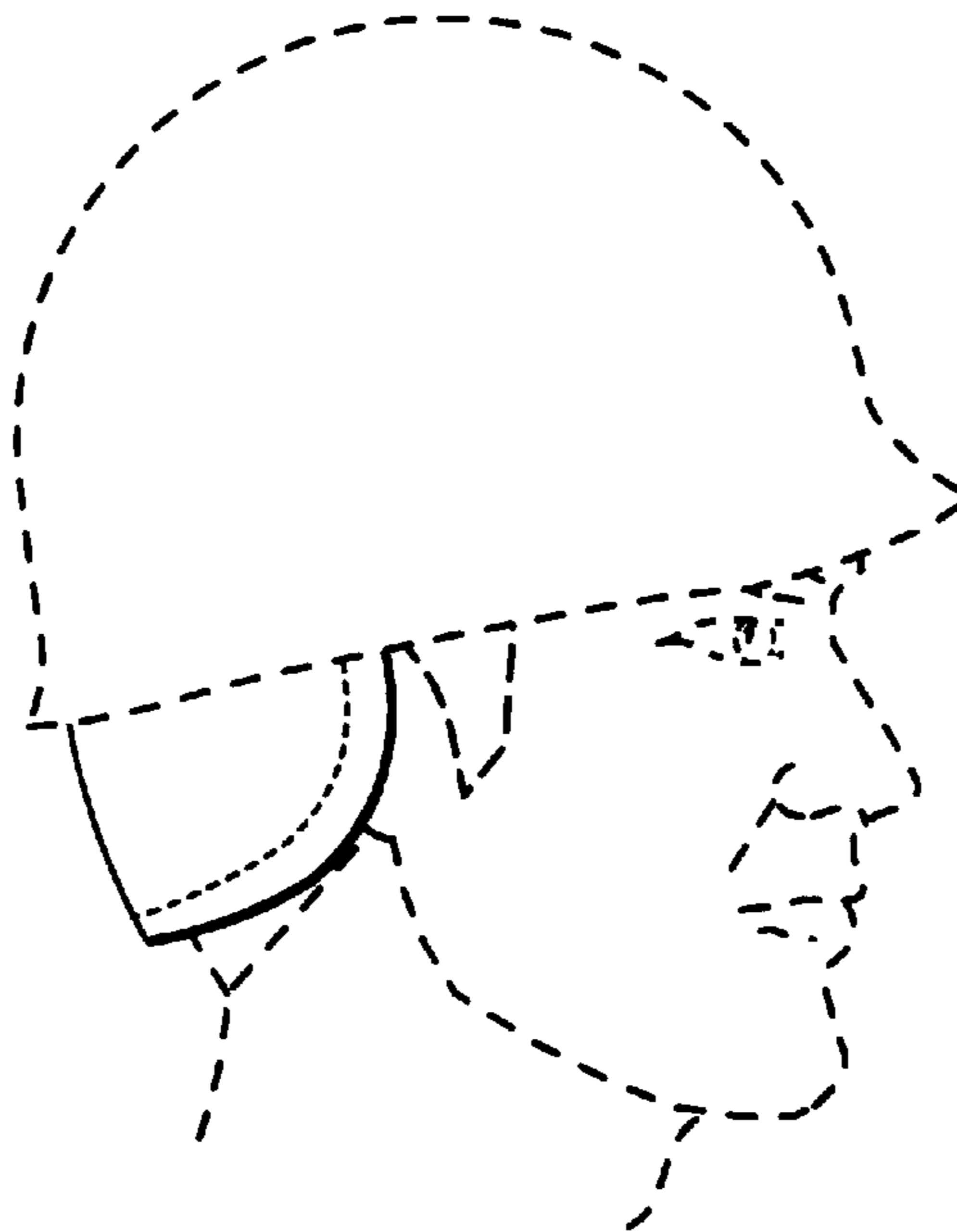


FIG. 8