



US00D477704S

(12) **United States Design Patent**
Thomas

(10) **Patent No.:** **US D477,704 S**

(45) **Date of Patent:** **** Jul. 22, 2003**

(54) **RACE CAR MAILBOX**

(76) Inventor: **Kenneth L. Thomas**, 511 Beachland Dr., McLeansville, NC (US) 27301

(**) Term: **14 Years**

(21) Appl. No.: **29/166,376**

(22) Filed: **Aug. 27, 2002**

(51) **LOC (7) Cl.** **99-00**

(52) **U.S. Cl.** **D99/30**

(58) **Field of Search** D99/29, 30, 31, D99/32, 42; 232/19, 20, 27, 39; D21/548, 533; 446/446; D12/86, 90, 91, 92

(56) **References Cited**

U.S. PATENT DOCUMENTS

D310,397 S	*	9/1990	Myers	D21/548
D347,927 S	*	6/1994	Martin	D99/30
D396,592 S	*	8/1998	Roth	D21/533 X
D411,110 S	*	6/1999	Kangas	D99/30
D411,906 S	*	7/1999	Ely et al.	D99/30
D413,422 S	*	8/1999	Colbert et al.	D99/30

D417,058 S	*	11/1999	Royal et al.	D99/30
D418,272 S	*	12/1999	Hiott	D99/30
D426,934 S	*	6/2000	Powell et al.	D99/30
D440,026 S	*	4/2001	Barney	D99/30
D441,711 S	*	4/2001	Vergakis	D99/30
D443,401 S	*	6/2001	Arnold	D99/30

* cited by examiner

Primary Examiner—Paula A. Mortimer

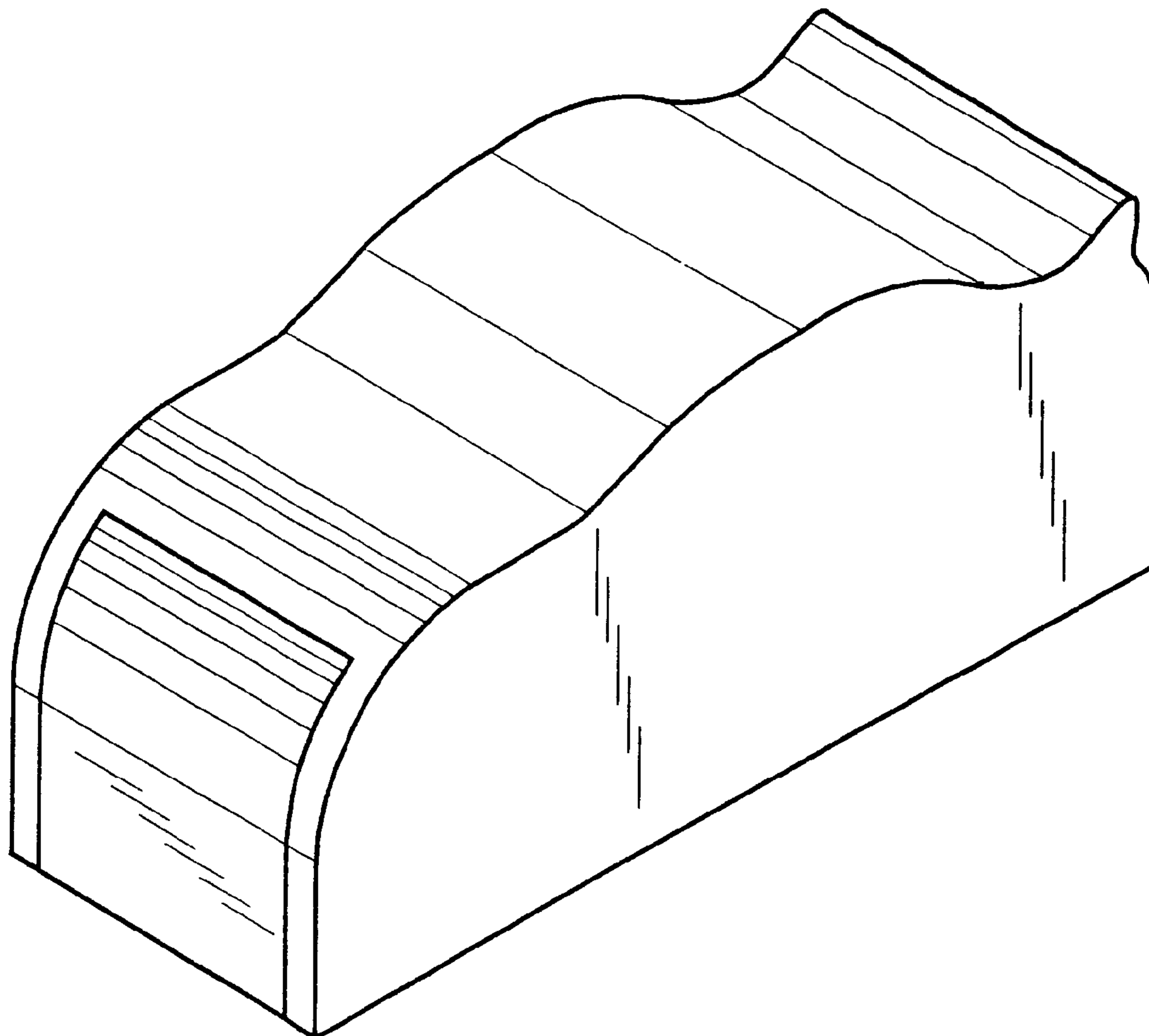
(57) **CLAIM**

The ornamental design for a race car mailbox, as shown and described.

DESCRIPTION

FIG. 1 is a top, front, right side perspective view of a race car mailbox embodying my design;
 FIG. 2 is a right side elevational view thereof, the left side being a mirror image;
 FIG. 3 is a top plan view thereof; the bottom being plain and unornamental;
 FIG. 4 is a front elevational view thereof; and,
 FIG. 5 is a rear elevational view thereof.

1 Claim, 2 Drawing Sheets



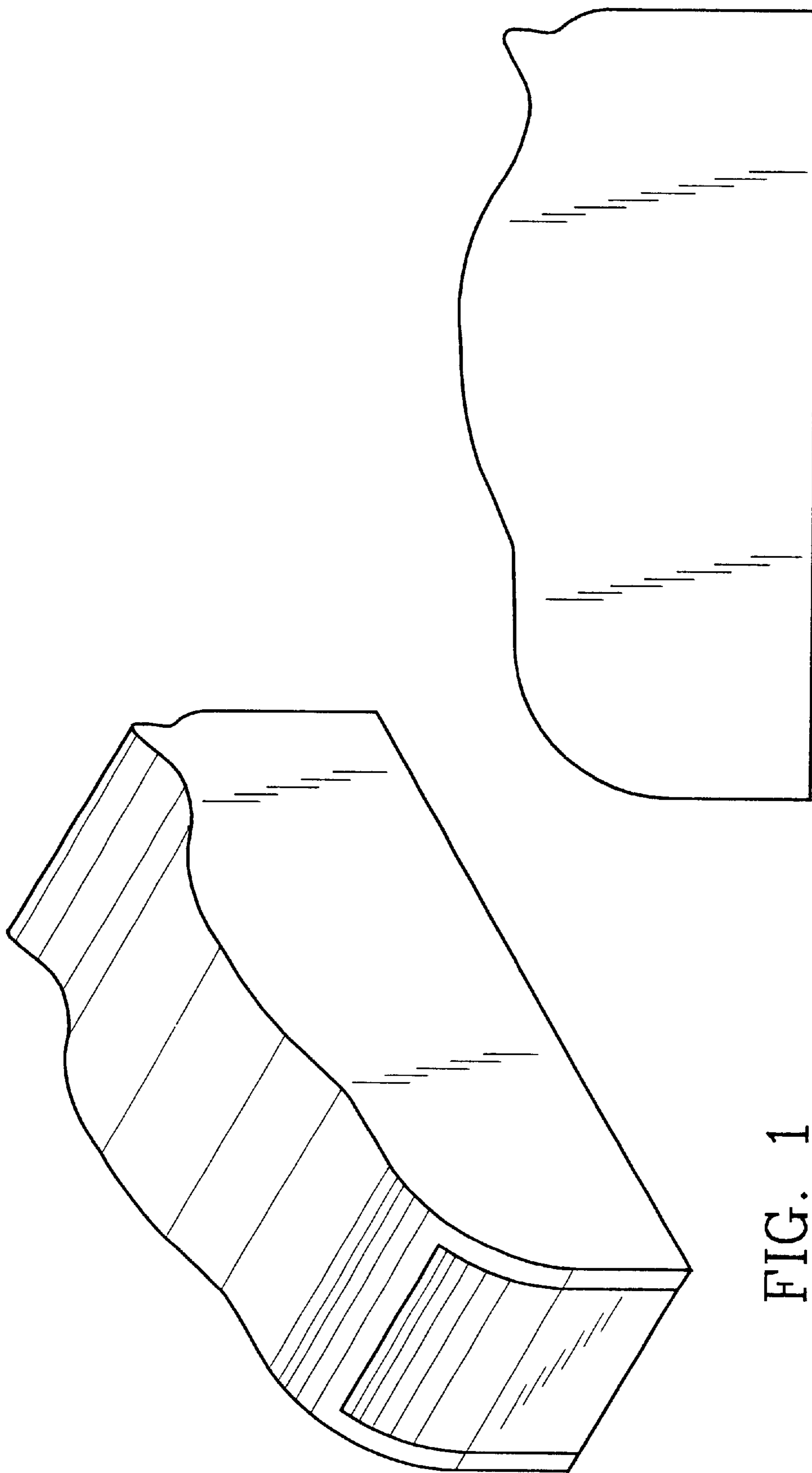


FIG. 1

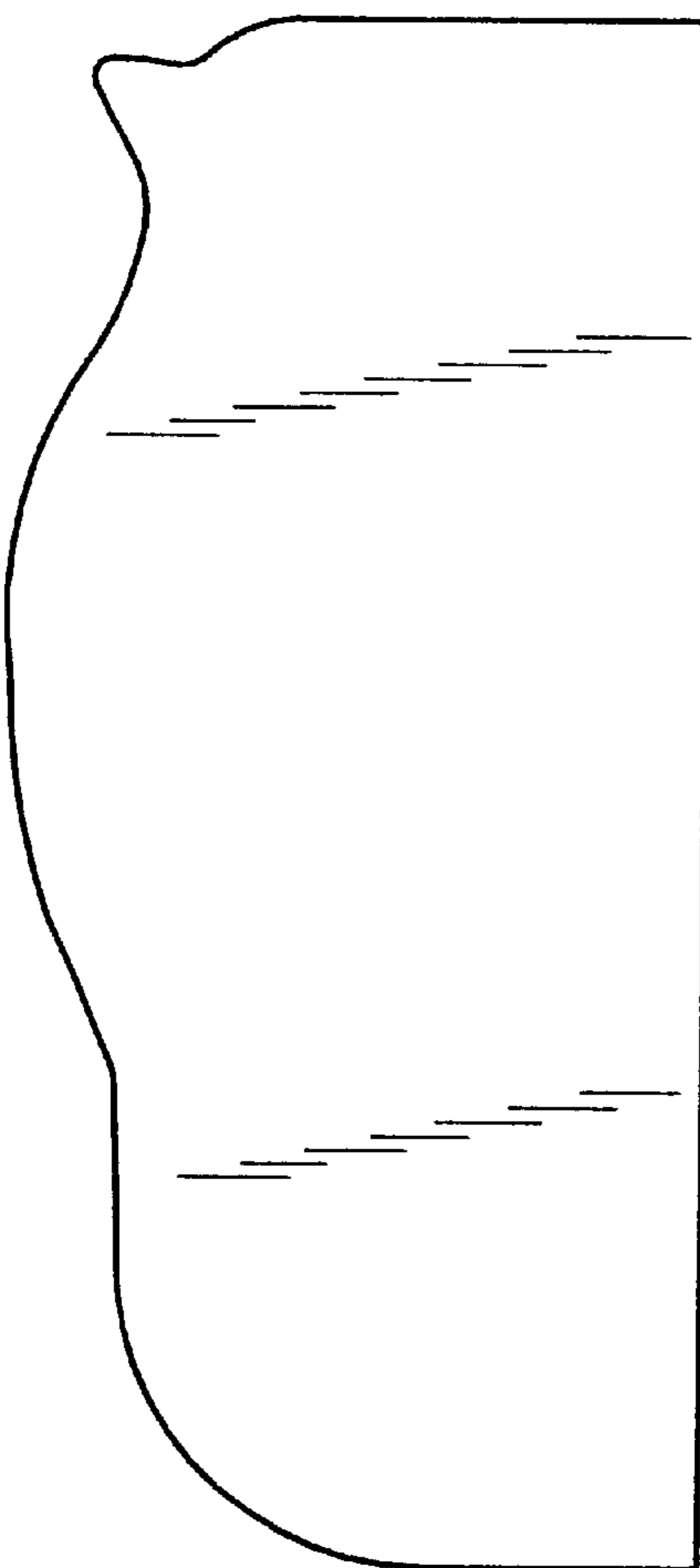


FIG. 2

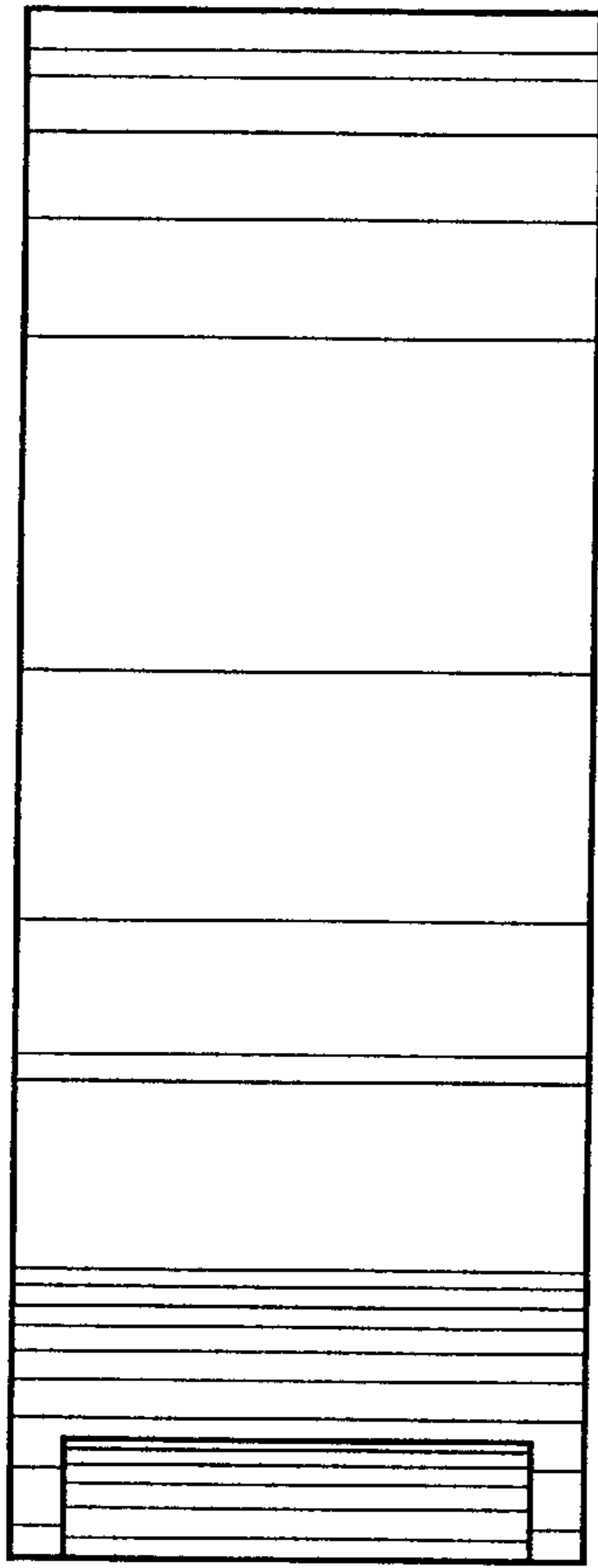


FIG. 3

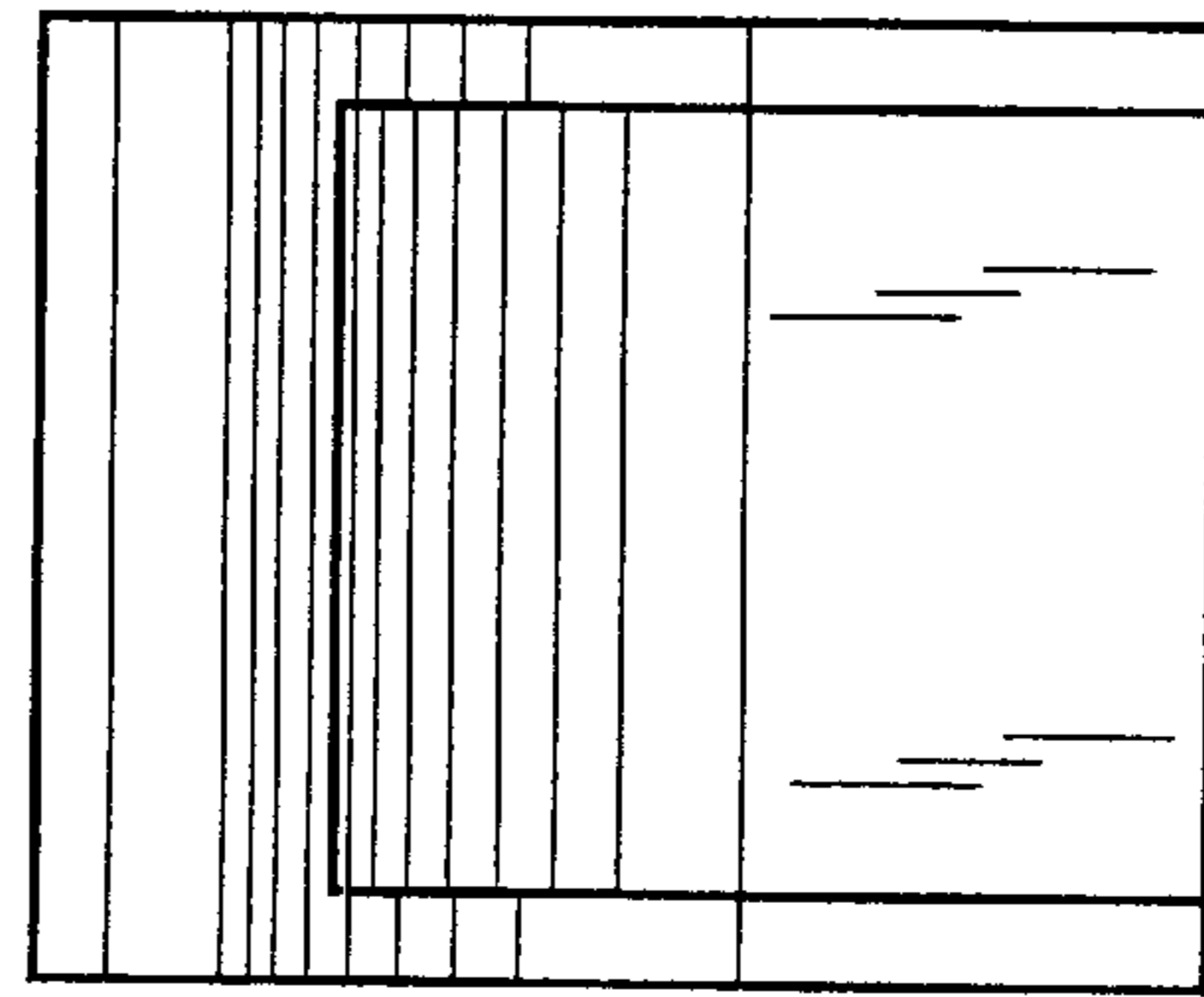


FIG. 4

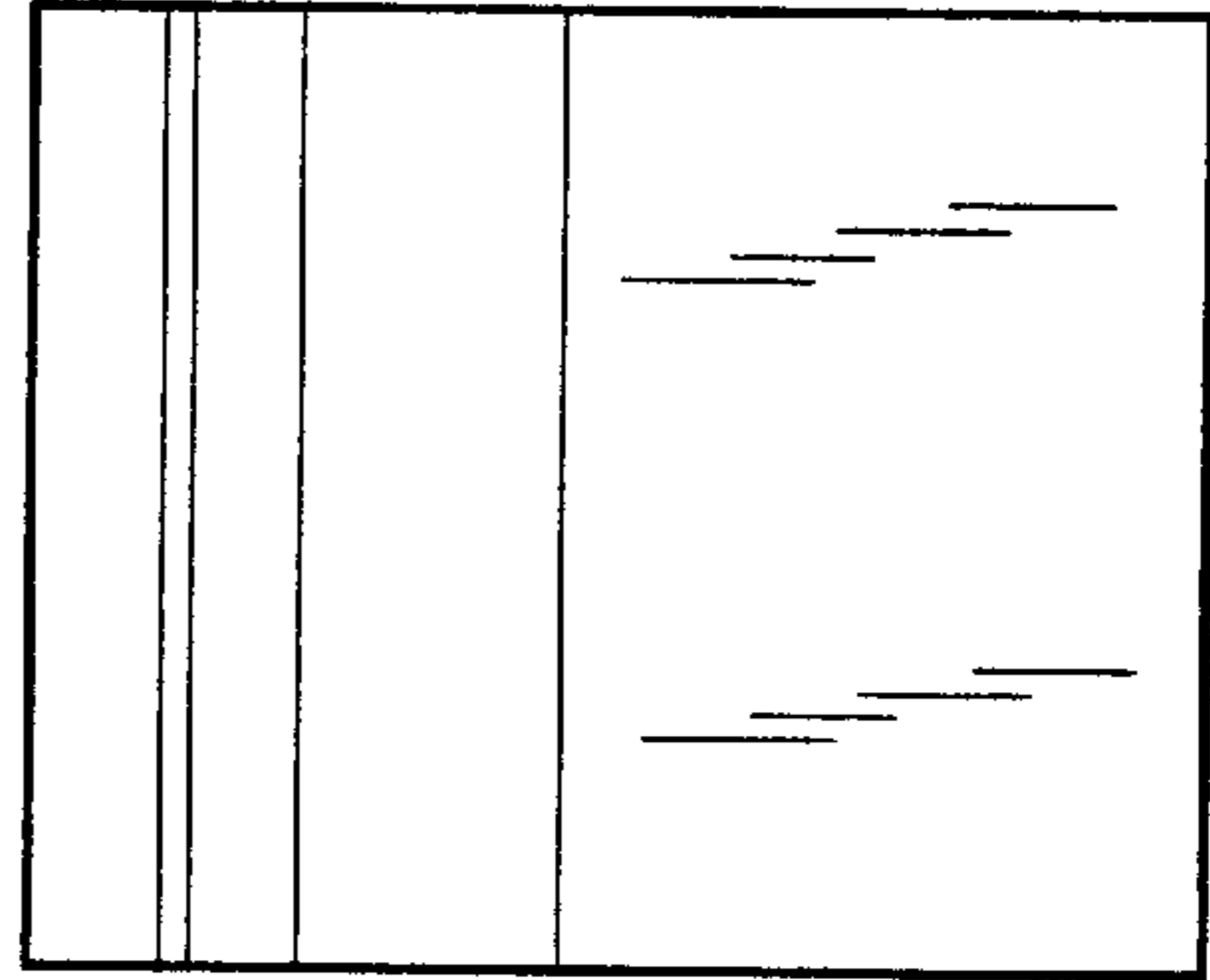


FIG. 5