



US00D477702S

(12) **United States Design Patent**
Kohn

(10) **Patent No.:** **US D477,702 S**

(45) **Date of Patent:** **** Jul. 22, 2003**

(54) **PAINT BUCKET**

(76) **Inventor:** **Peter Kohn**, 162-21 Powell Cove Blvd., Queens, NY (US) 11431

(**) **Term:** **14 Years**

(21) **Appl. No.:** **29/161,025**

(22) **Filed:** **May 21, 2002**

(51) **LOC (7) Cl.** **07-07**

(52) **U.S. Cl.** **D32/53.1**

(58) **Field of Search** D32/53, 53.1;
15/257.05, 257.06, 264; 206/503, 505, 506,
515, 518, 519; 220/600, 604, 669, 670,
671, 674, 675, 752, 755, 760, 769, 770,
773, 776, 904, DIG. 12, DIG. 13, DIG. 14,
495.02, 570

(56) **References Cited**

U.S. PATENT DOCUMENTS

247,181 A * 9/1881 Ellis et al. 220/755
D28,095 S * 12/1897 Mills D32/53
D350,425 S * 9/1994 Walker D32/53.1

D353,241 S * 12/1994 Breen D32/53
D355,287 S * 2/1995 Camp, Jr. D32/53.1
5,400,916 A * 3/1995 Weber 220/495.02
6,065,633 A * 5/2000 Abbey 220/695 X

* cited by examiner

Primary Examiner—Alan P. Douglas

Assistant Examiner—Lavone D. Tabor

(74) *Attorney, Agent, or Firm*—Goldstein & Lavas, P.C.

(57) **CLAIM**

The ornamental design for a paint bucket, as shown and described.

DESCRIPTION

FIG. 1 is a perspective view of a paint bucket.

FIG. 2 is a front elevational view thereof.

FIG. 3 is a rear elevational view thereof.

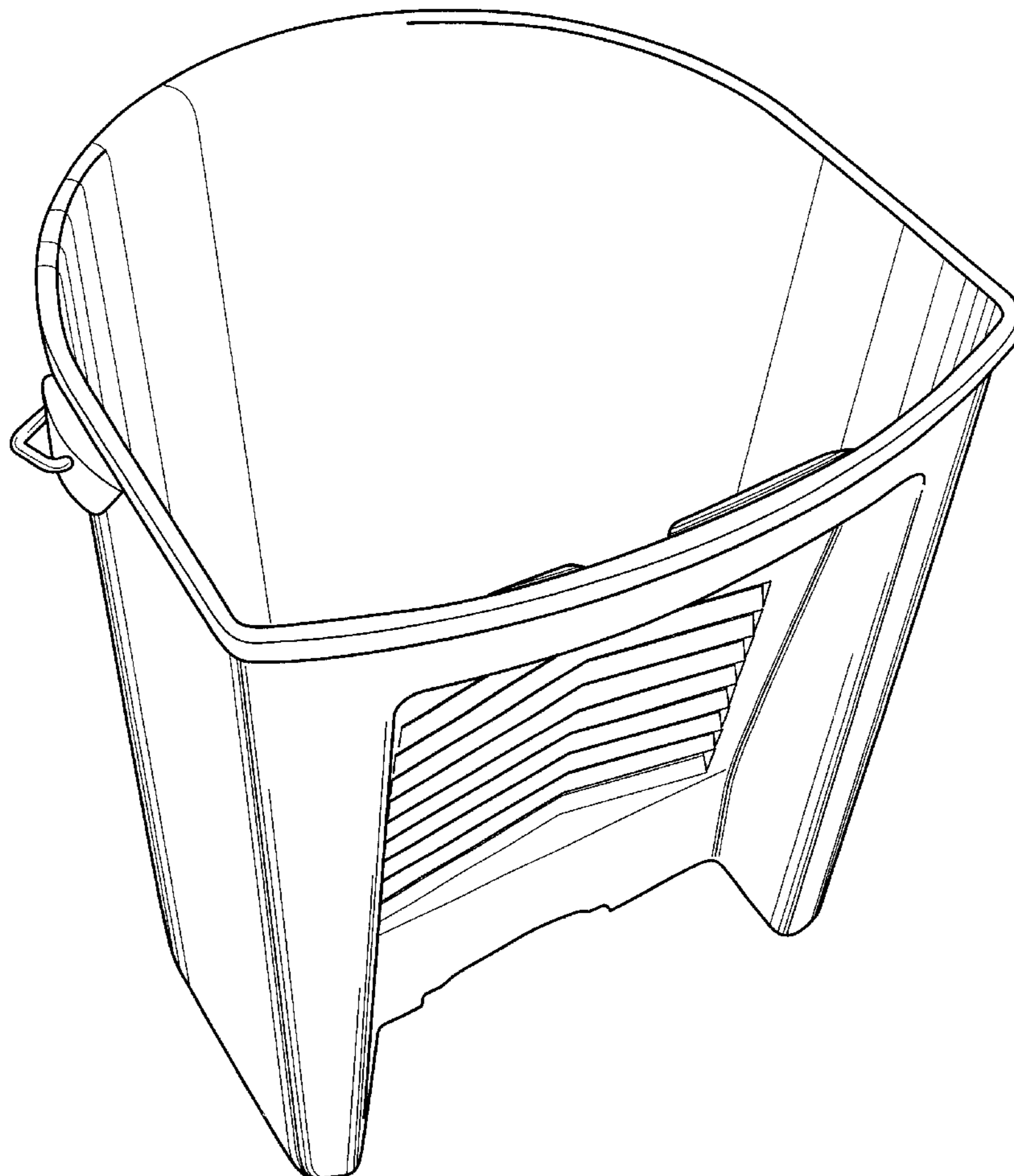
FIG. 4 is a left side elevational view thereof.

FIG. 5 is a right side elevational view thereof.

FIG. 6 is a top plan view of the paint bucket; and,

FIG. 7 is a bottom plan view thereof.

1 Claim, 4 Drawing Sheets



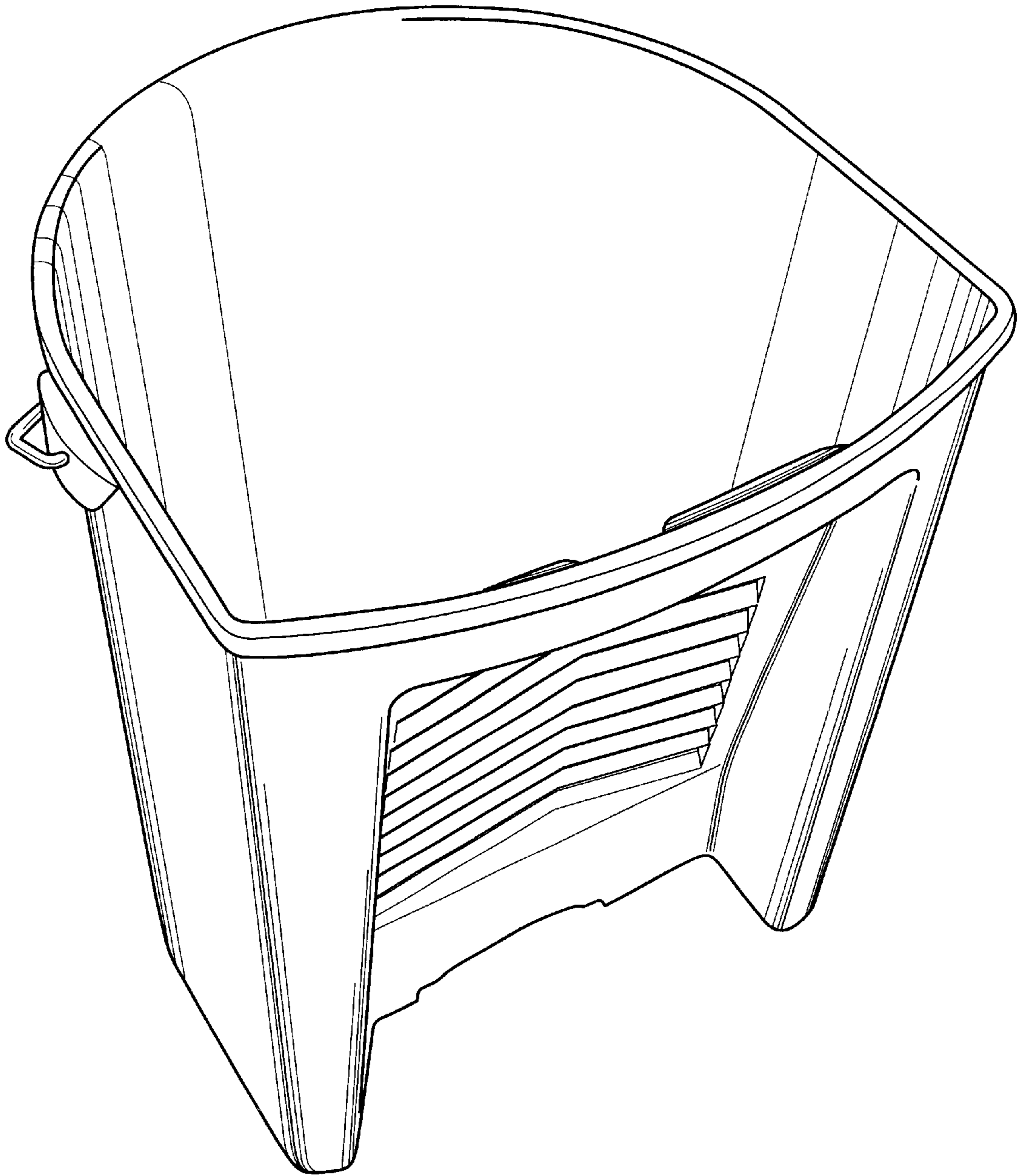


FIG. 1

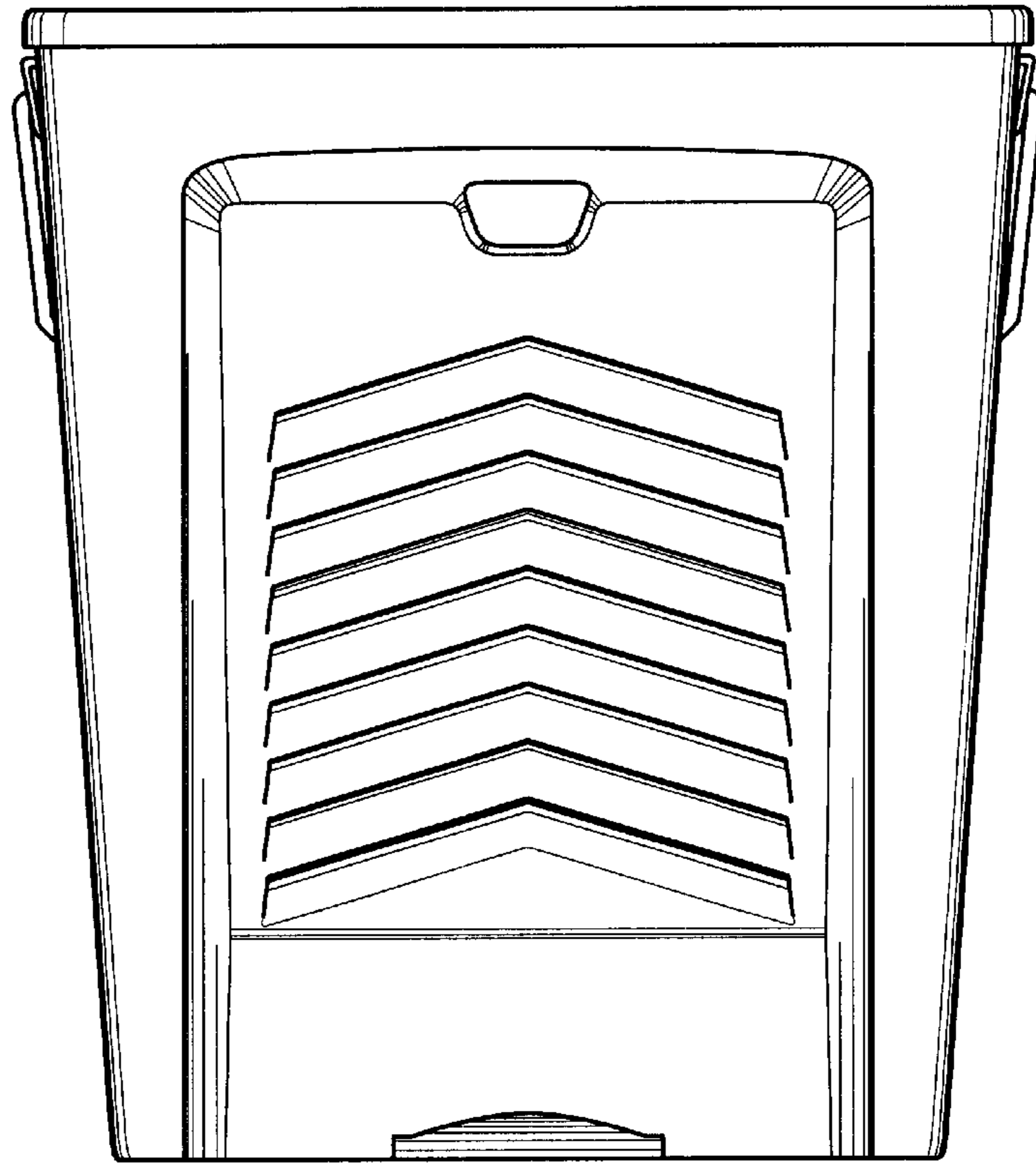


FIG. 2

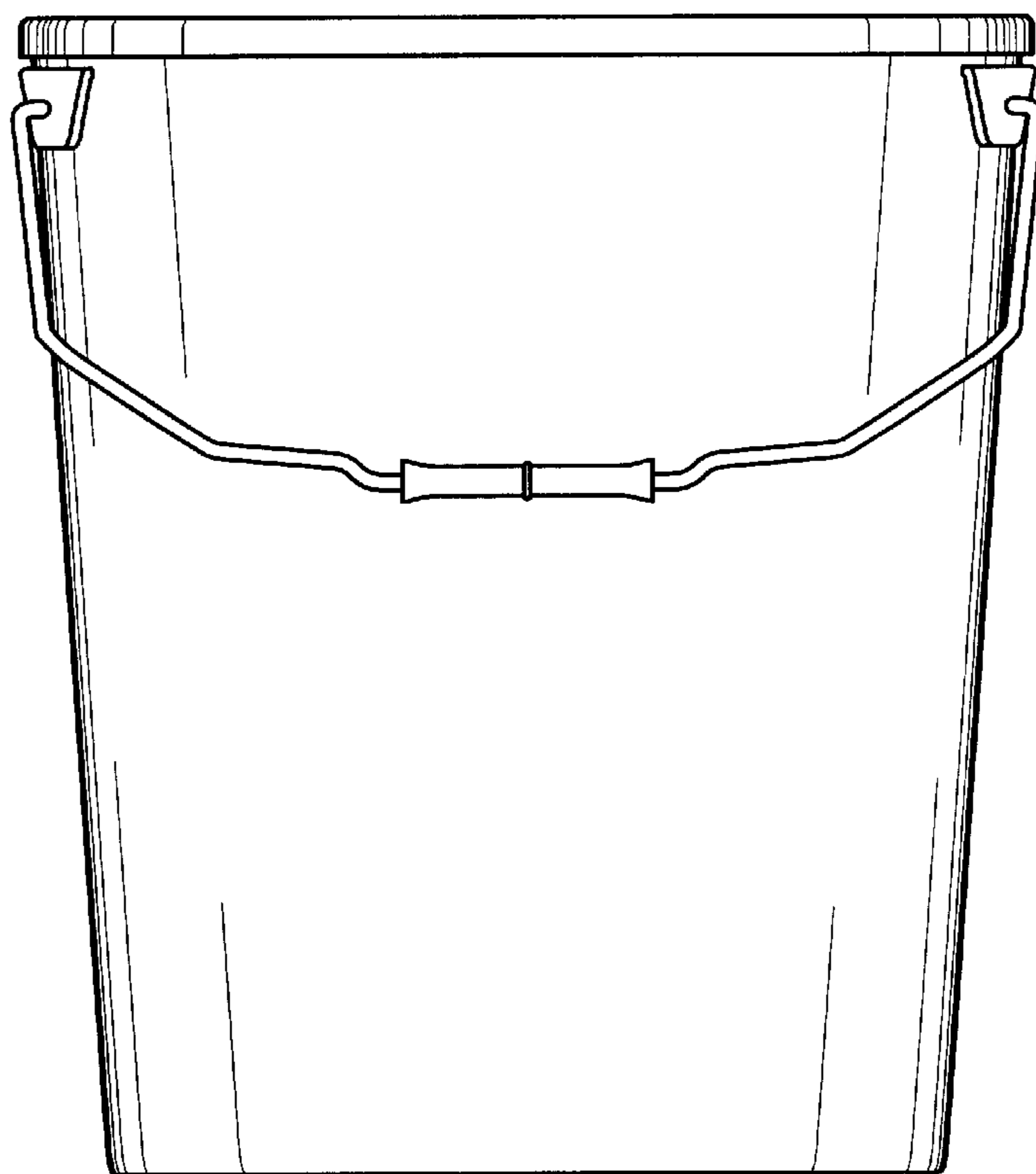


FIG. 3

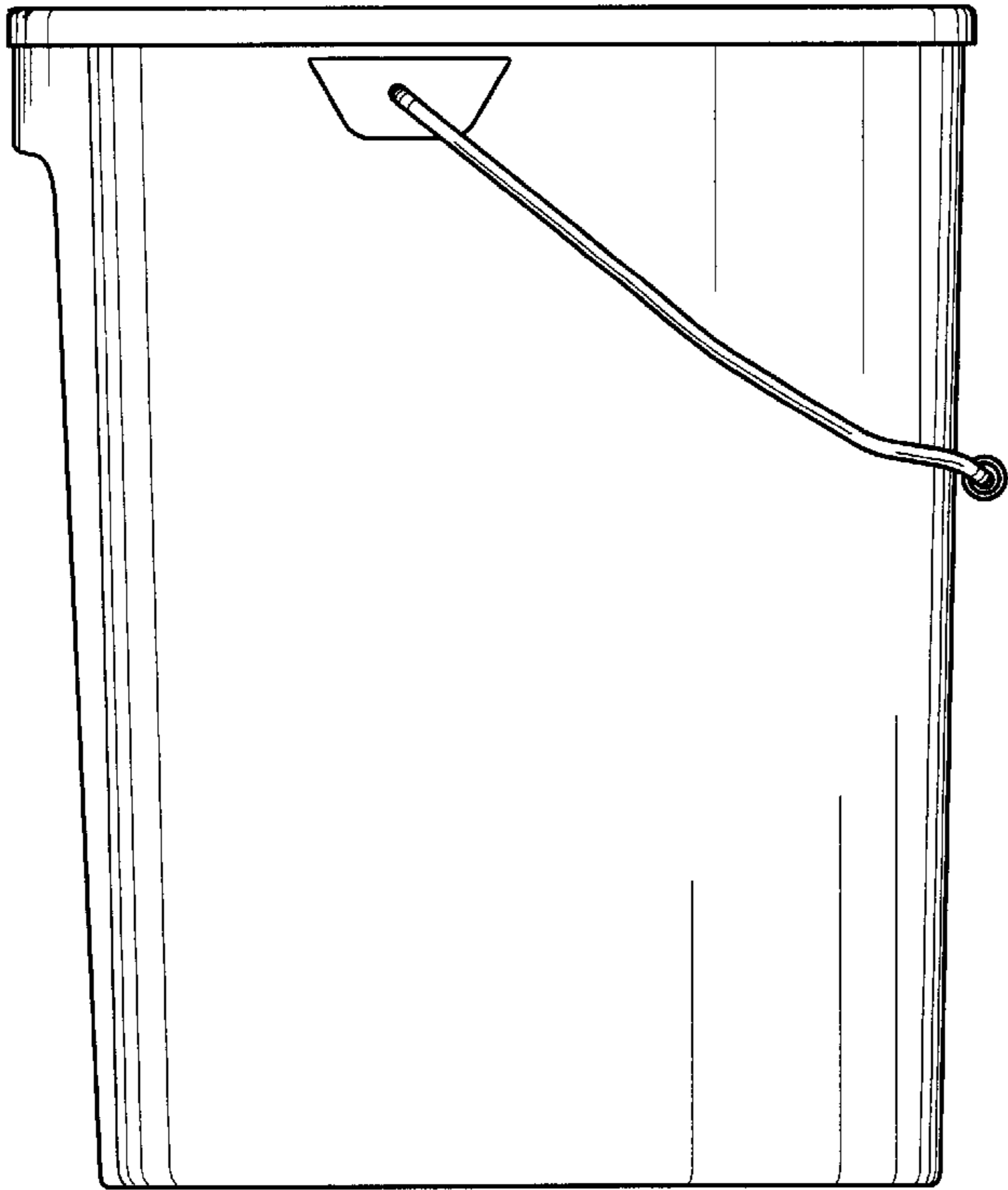


FIG. 4

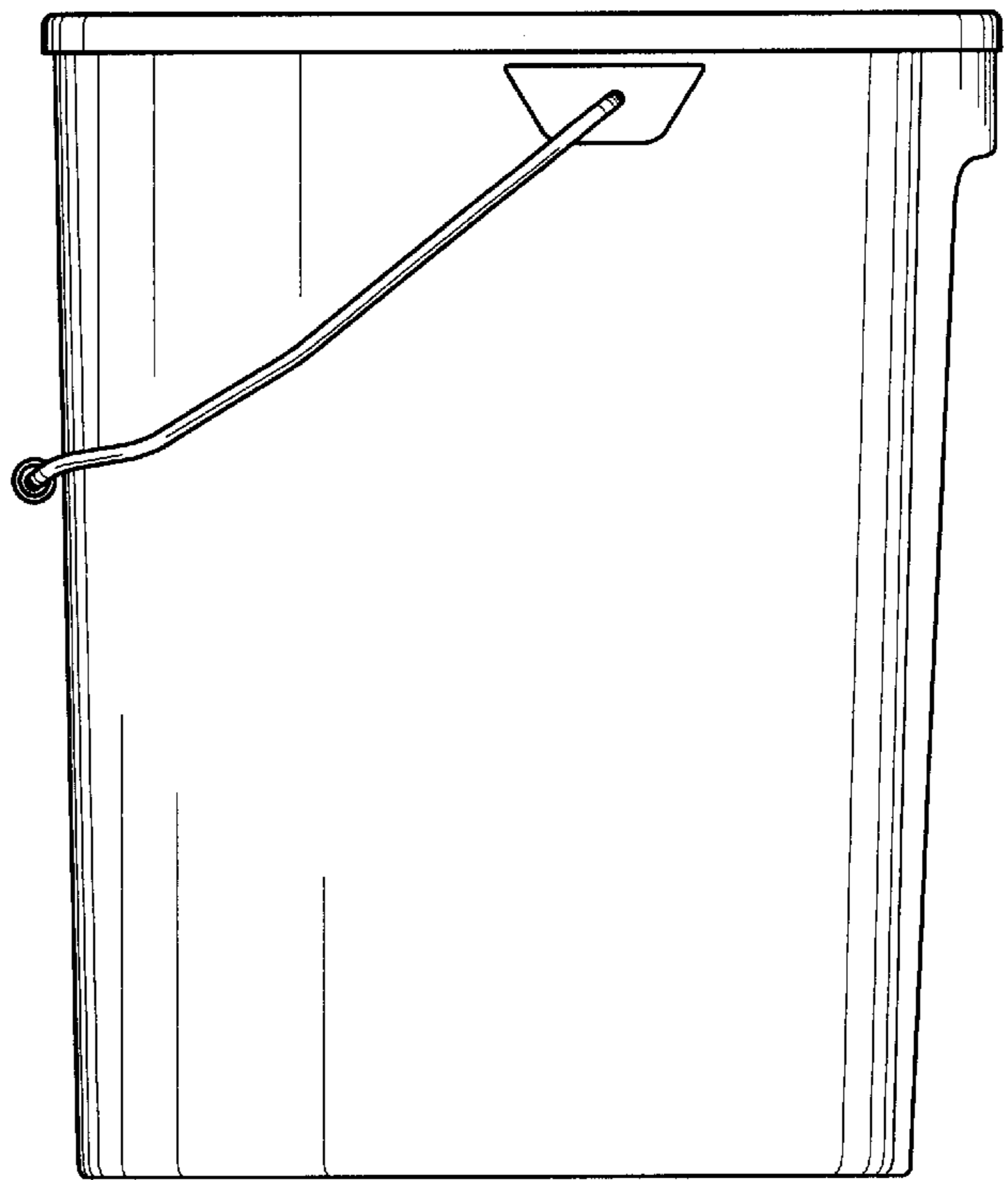


FIG. 5

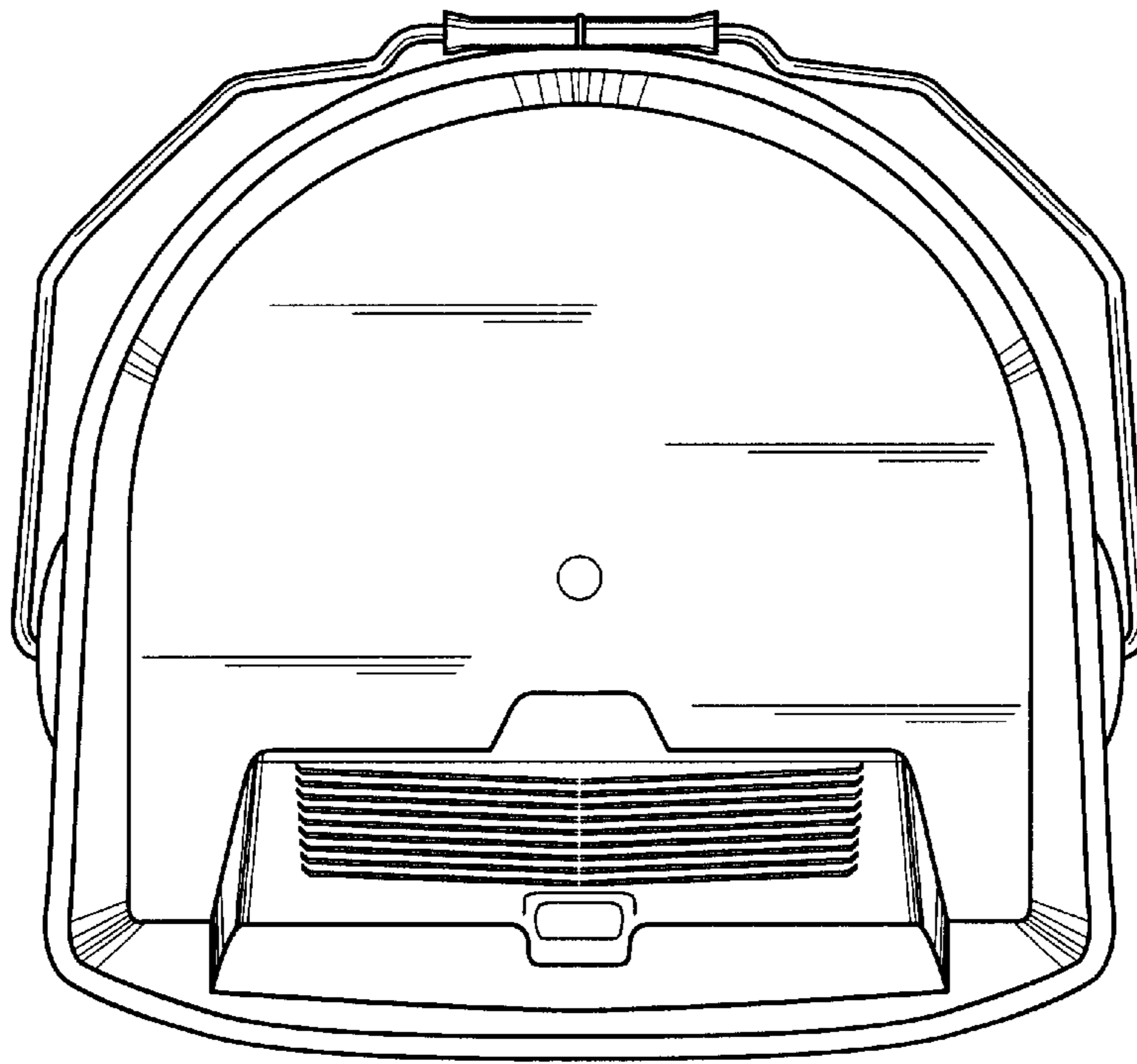


FIG. 6

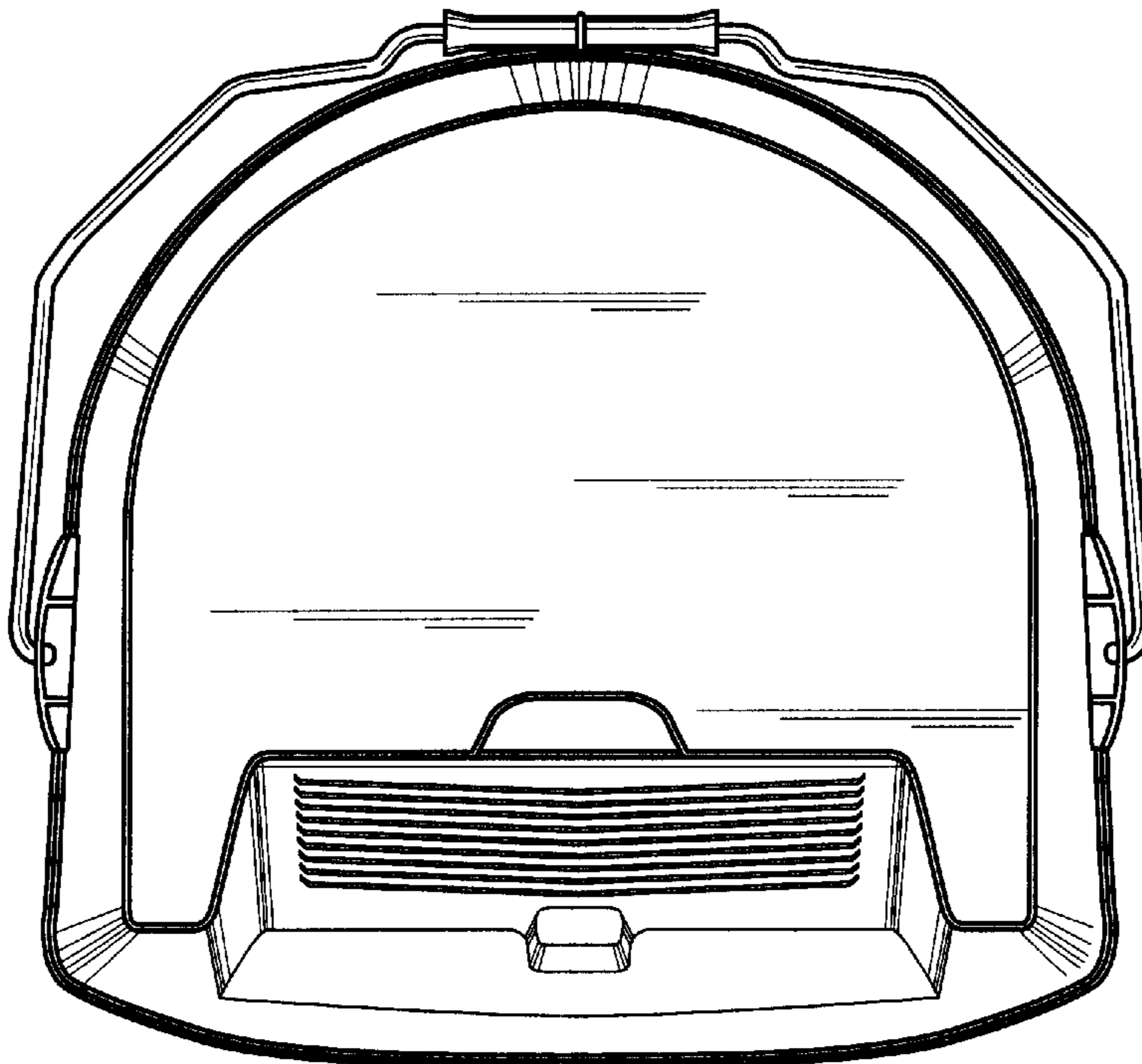


FIG. 7