



US00D477696S

(12) **United States Design Patent**
Jabbar

(10) **Patent No.:** **US D477,696 S**

(45) **Date of Patent:** **** Jul. 22, 2003**

(54) **NAP CLEANER**

(76) **Inventor:** **Abdal-Rahim Jabbar**, 2550
Pennsylvania, Beaumont, TX (US)
77701

(**) **Term:** **14 Years**

(21) **Appl. No.:** **29/159,858**

(22) **Filed:** **Apr. 30, 2002**

(51) **LOC (7) Cl.** **15-05**

(52) **U.S. Cl.** **D32/1**

(58) **Field of Search** D32/1, 6; 134/138

(56) **References Cited**

U.S. PATENT DOCUMENTS

D59,828 S	*	11/1921	Finucane	D32/6
3,085,282 A		4/1963	Mesick		
3,886,960 A		6/1975	Kmeyer		
3,945,527 A		3/1976	Pylant		
4,130,124 A	*	12/1978	Sherwin	134/138
4,294,272 A	*	10/1981	Klaiber	134/138
4,402,333 A		9/1983	Frizzell		
4,508,465 A		4/1985	Orton		

4,832,066 A	*	5/1989	Shipman	134/137
4,960,142 A	*	10/1990	Robb et al.	134/138
5,097,967 A		3/1992	Sica		
5,185,938 A		2/1993	Hutt		
D336,163 S		6/1993	Yen		
5,409,027 A	*	4/1995	Glunt	134/138
5,413,133 A	*	5/1995	Russell	134/138
5,651,381 A	*	7/1997	Balouchian	134/138
D393,332 S	*	4/1998	Nygren	D32/1
5,835,342 A	*	11/1998	Hunte	361/681
D403,134 S	*	12/1998	Martinez	D32/1

* cited by examiner

Primary Examiner—Nelson C. Holtje

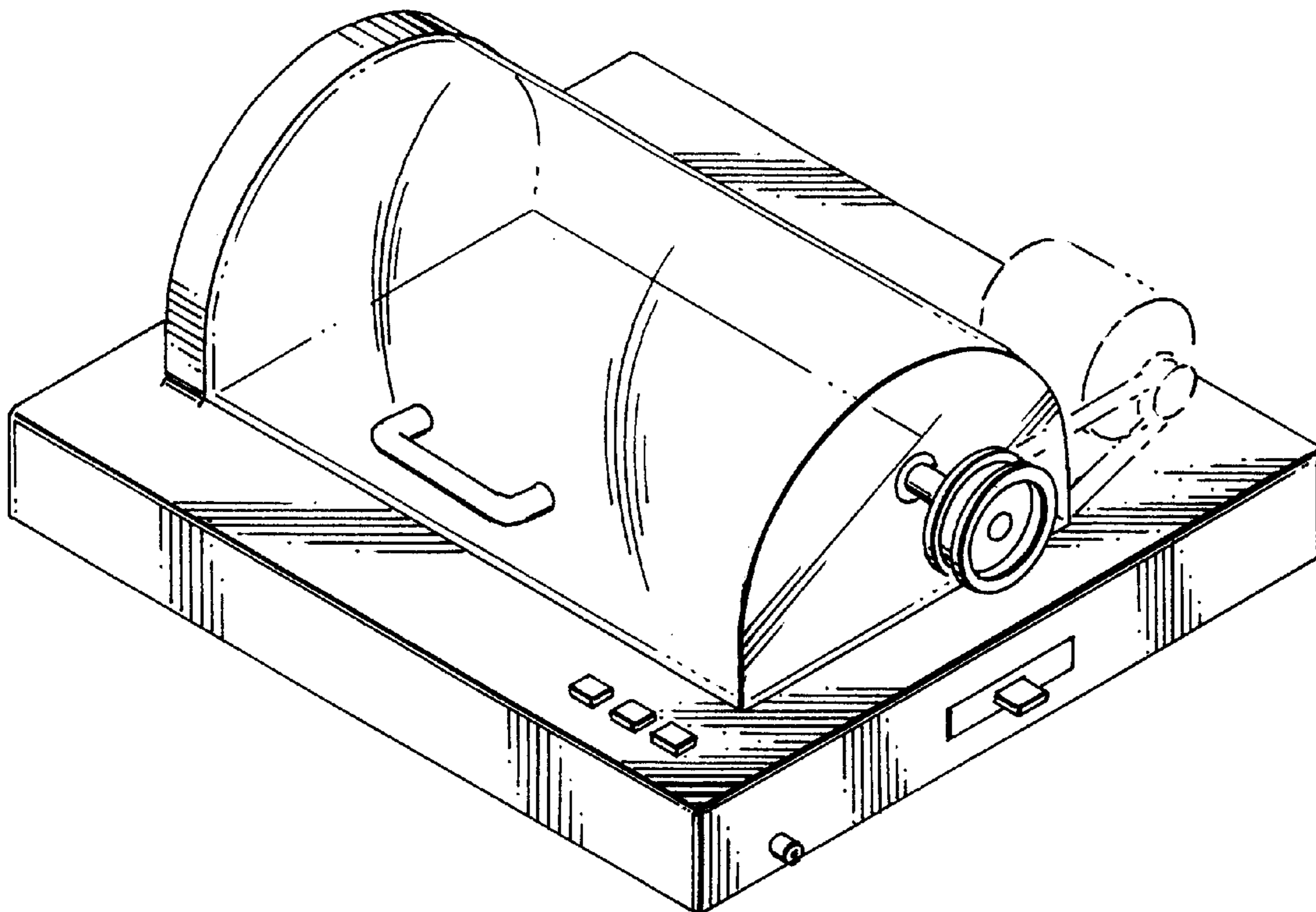
(57) **CLAIM**

The design for nap cleaner, as shown and described.

DESCRIPTION

- FIG. 1 Top right perspective view.
- FIG. 2 Front elevation.
- FIG. 3 Left side elevation; and,
- FIG. 4 Rear elevation.

1 Claim, 2 Drawing Sheets



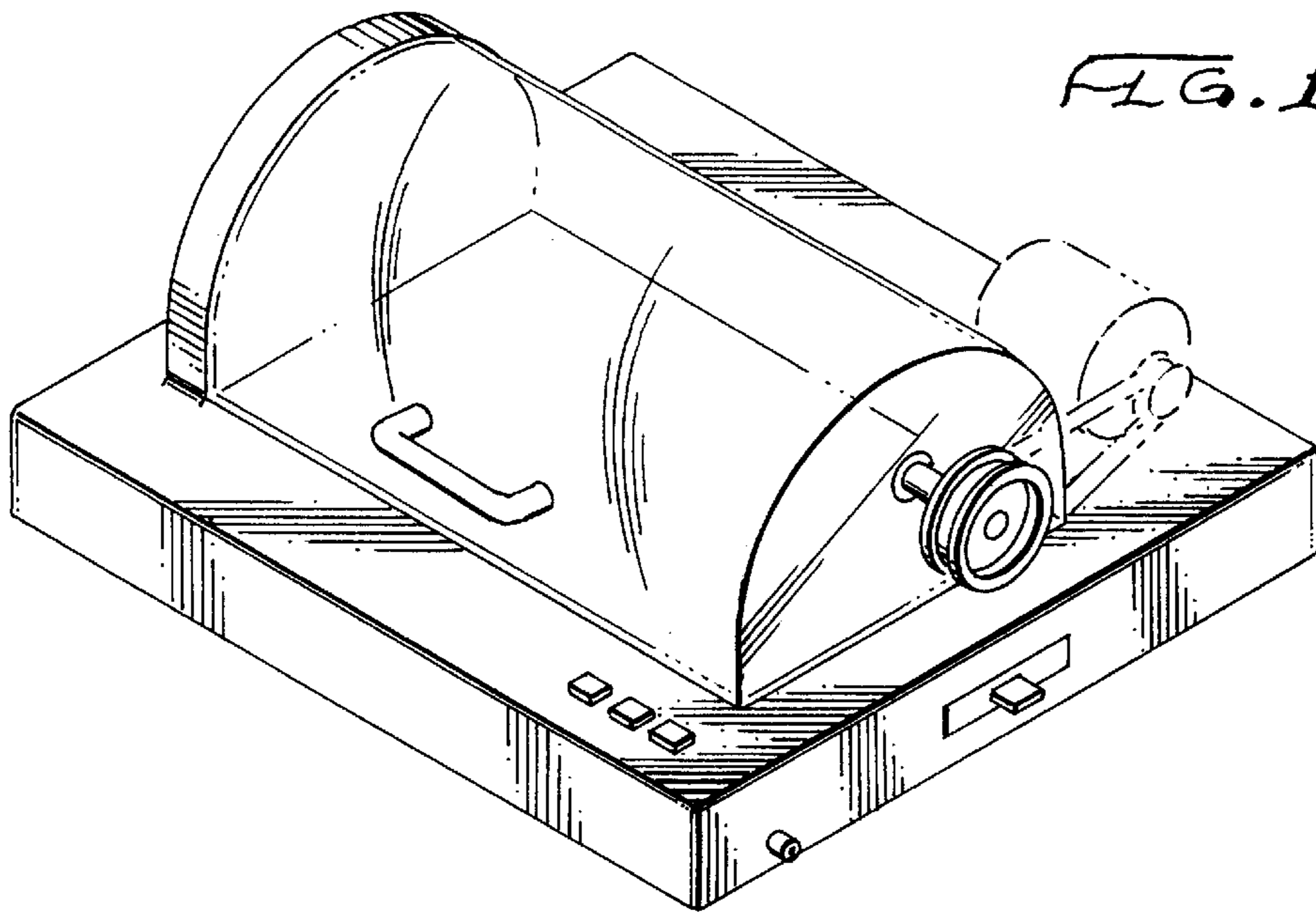


FIG. 1

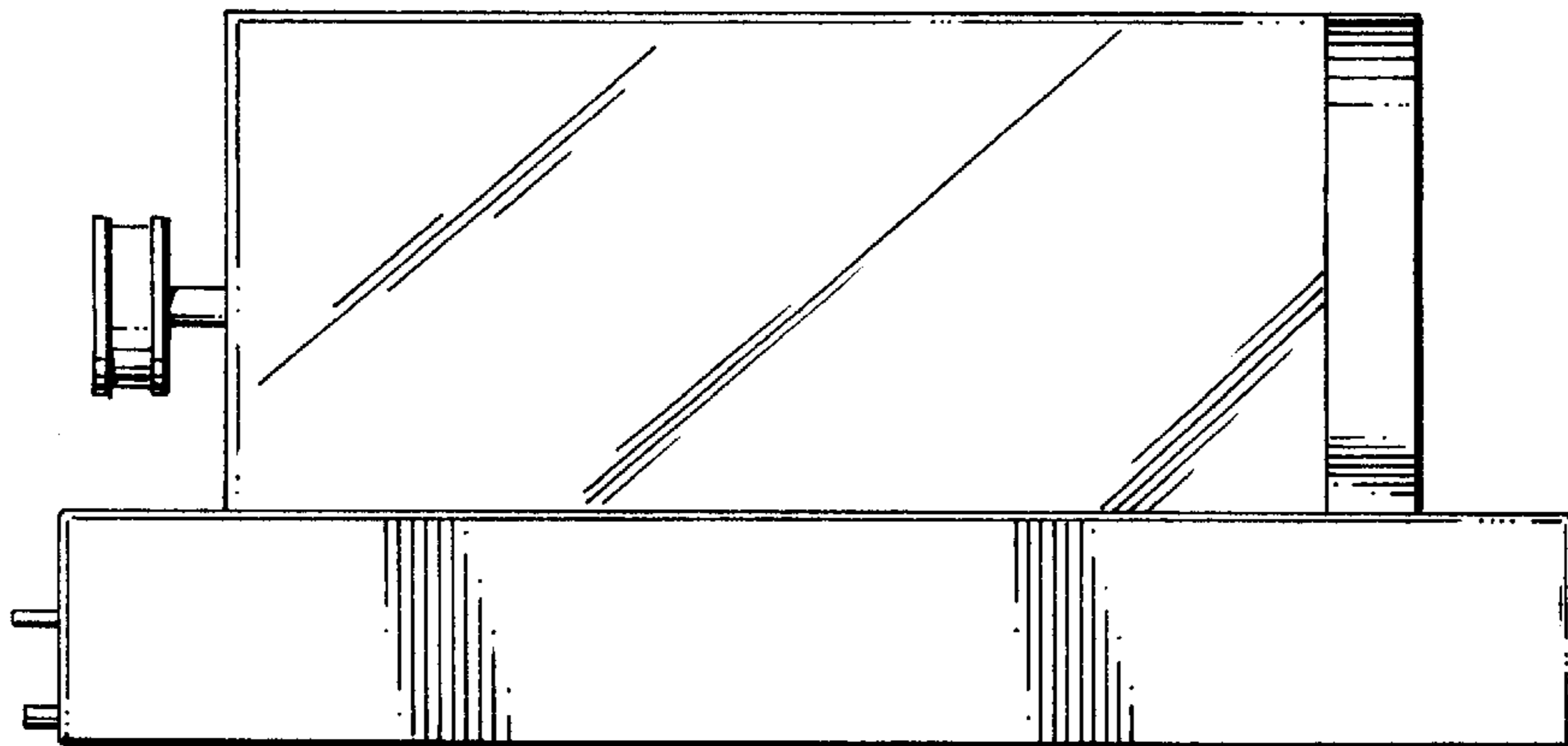


FIG. 2

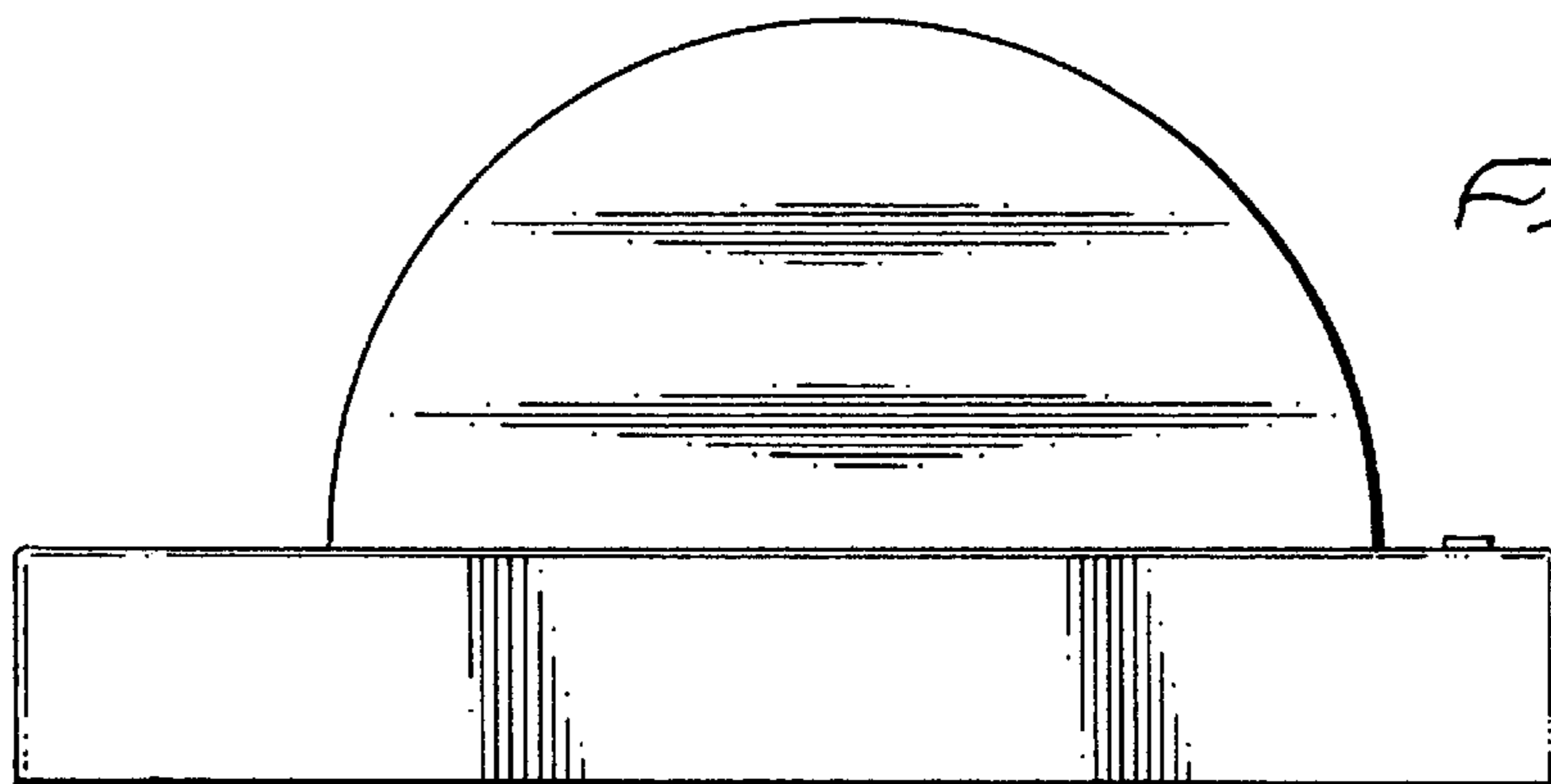


FIG. 3

Fig 4

