



US00D477692S

(12) **United States Design Patent**  
**Hanna**

(10) **Patent No.:** **US D477,692 S**

(45) **Date of Patent:** **\*\* Jul. 22, 2003**

(54) **HARNESS SQUARE**

D456,743 S \* 5/2002 Uehara et al. .... D11/218

(75) Inventor: **Tom Hanna**, Wichita, KS (US)

\* cited by examiner

(73) Assignee: **Rose America Corporation**, Wichita, KS (US)

*Primary Examiner*—Pamela Burgess  
(74) *Attorney, Agent, or Firm*—Shoemaker and Mattare

(\*\*) Term: **14 Years**

(57) **CLAIM**

The ornamental design for a harness square, as shown and described.

(21) Appl. No.: **29/164,816**

(22) Filed: **Aug. 1, 2002**

**DESCRIPTION**

(51) **LOC (7) Cl.** ..... **30-04**

FIG. 1 is a perspective view of a harness square, showing my new design from above;

(52) **U.S. Cl.** ..... **D30/140**; D11/218; 54/54

FIG. 2 is a top plan view thereof;

(58) **Field of Search** ..... D30/138-140,

FIG. 3 is a front elevation thereof;

D30/152; D11/216, 218, 200, 231, 234;  
D2/408, 405, 427; 24/169, 171, 194, 196-200,  
614-616, 163 R; 54/34, 54; 119/798

FIG. 4 is a left side view thereof;

FIG. 5 is a rear elevation thereof;

FIG. 6 is a right side view thereof; and

FIG. 7 is a bottom plan view thereof.

(56) **References Cited**

FIG. 8 is a perspective view of a second embodiment of a harness square showing my new design;

**U.S. PATENT DOCUMENTS**

- 77,918 A \* 5/1868 Roland ..... 54/54
- 639,033 A \* 12/1899 Hanke ..... 24/174
- 971,655 A \* 10/1910 Baird ..... 54/54
- D46,398 S \* 9/1914 Fox ..... D30/140
- D62,255 S \* 4/1923 Harpham ..... D30/140
- D233,051 S 10/1974 Craigmyle
- D363,257 S \* 10/1995 Anscher ..... D11/218
- D395,618 S \* 6/1998 Cohen et al. .... D11/218

FIG. 9 is a top plan view thereof;

FIG. 10 is a front elevation thereof;

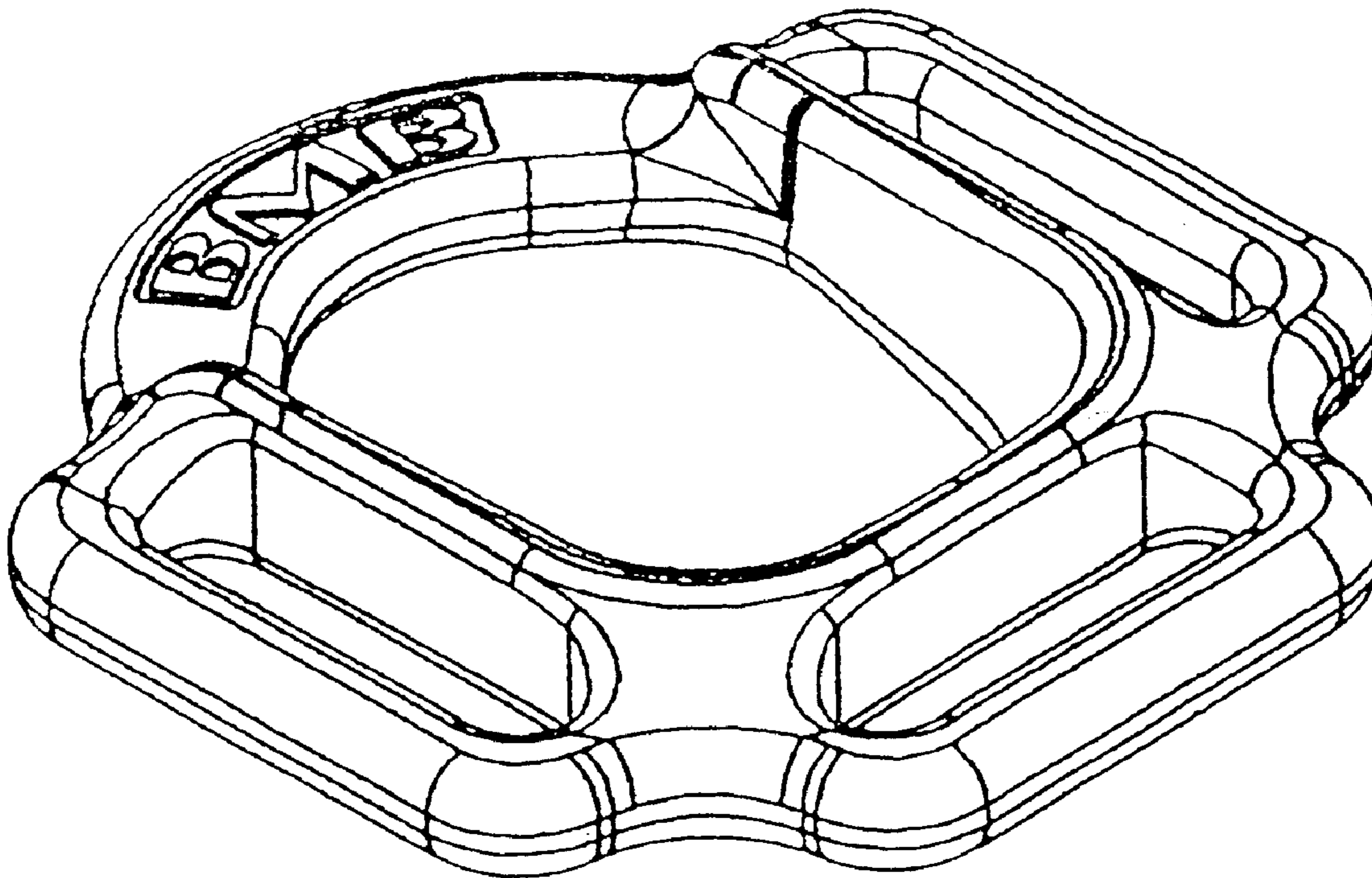
FIG. 11 is a left side view thereof;

FIG. 12 is a rear elevation thereof;

FIG. 13 is a right side view thereof; and,

FIG. 14 is a bottom plan view thereof.

**1 Claim, 4 Drawing Sheets**



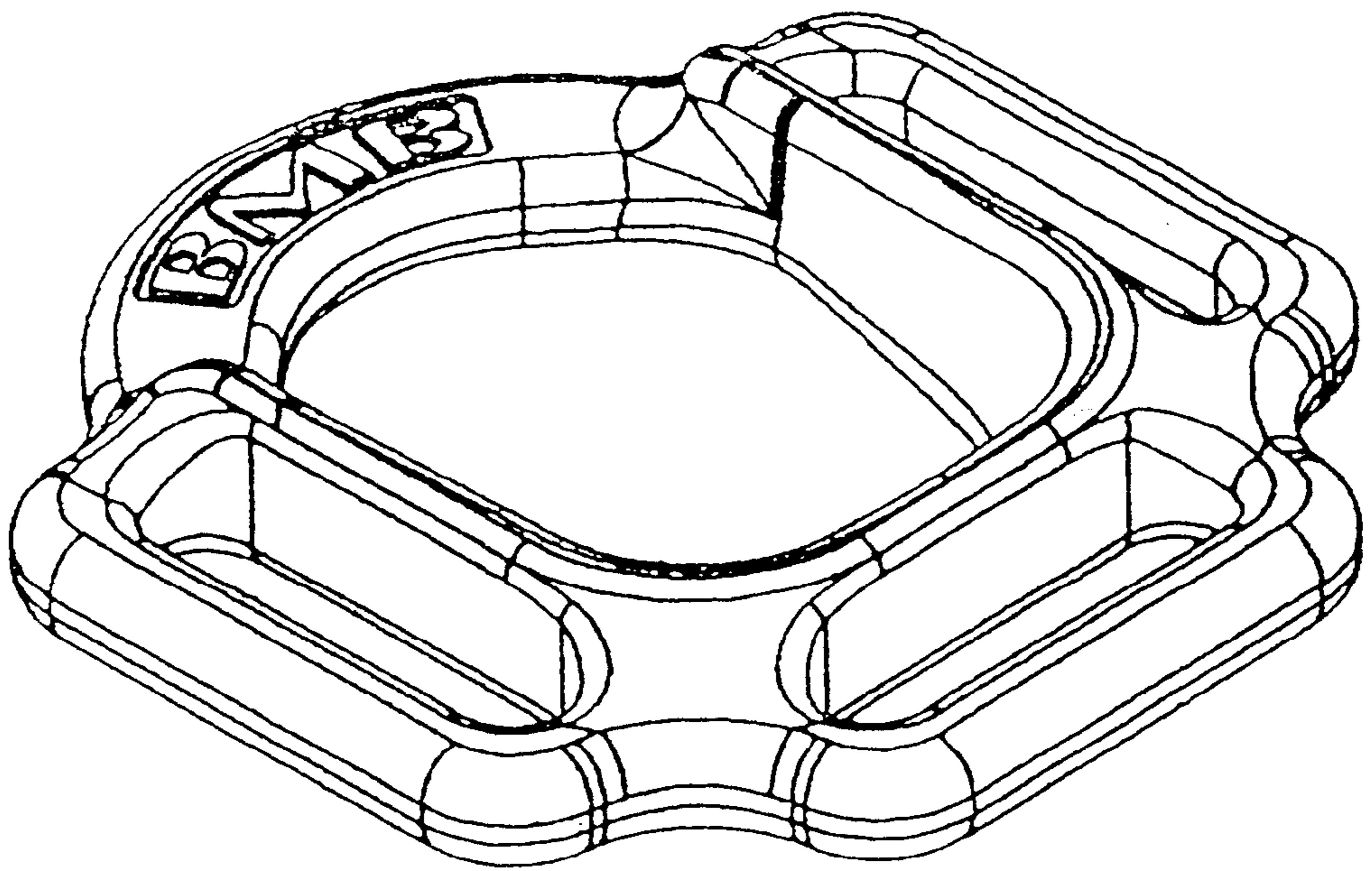


FIG. 1

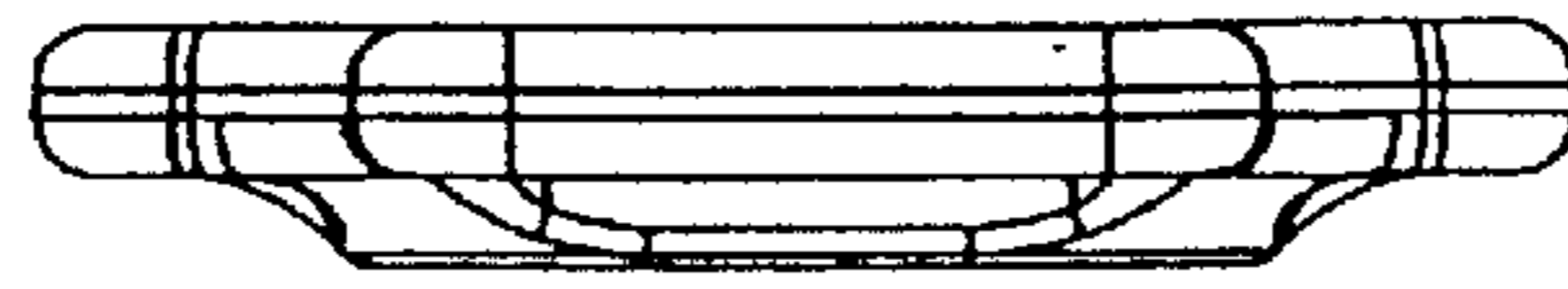


FIG. 5

FIG. 2



FIG. 4

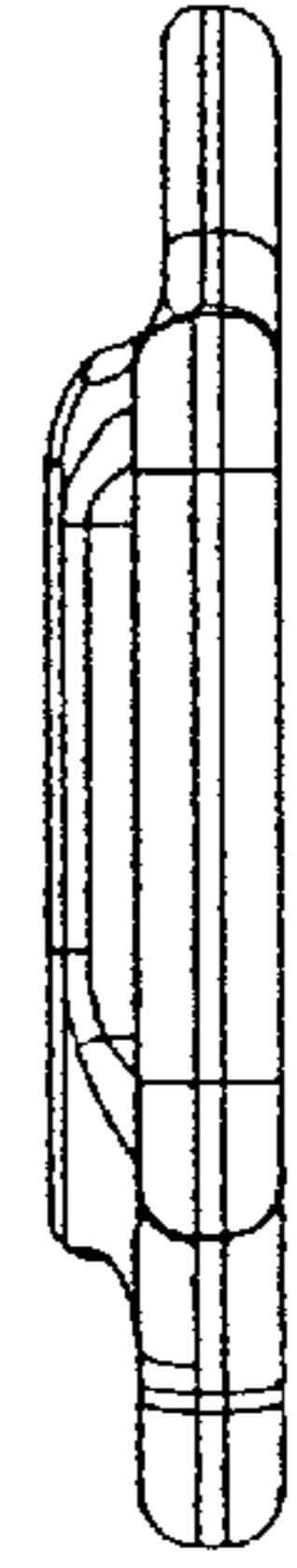
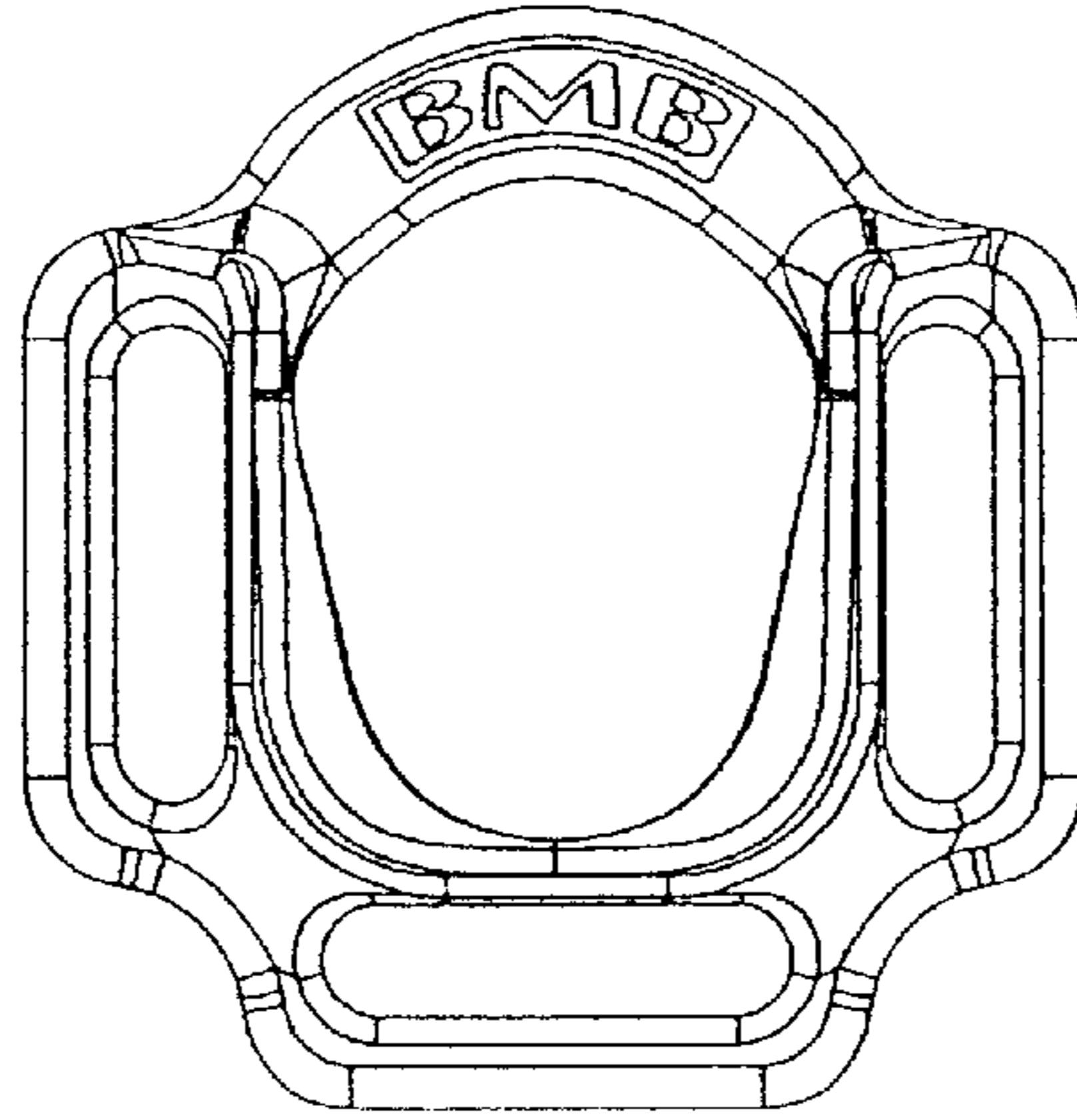


FIG. 6

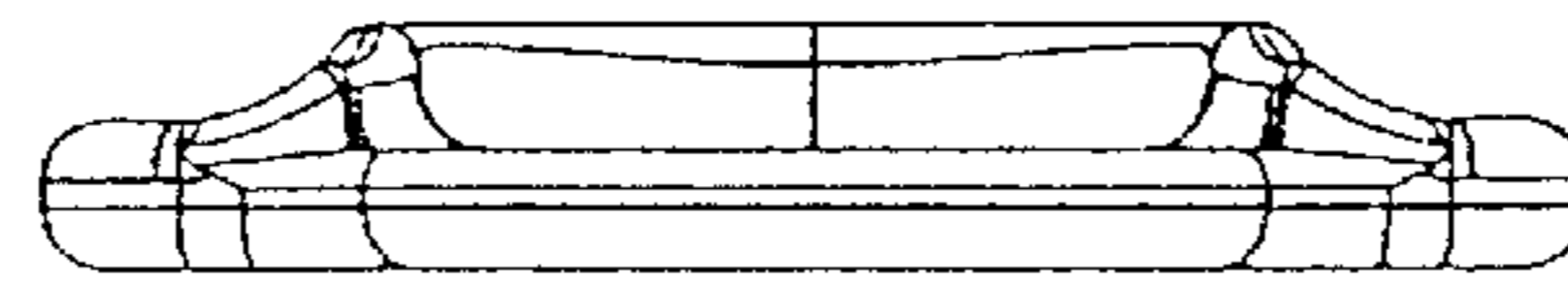


FIG. 3

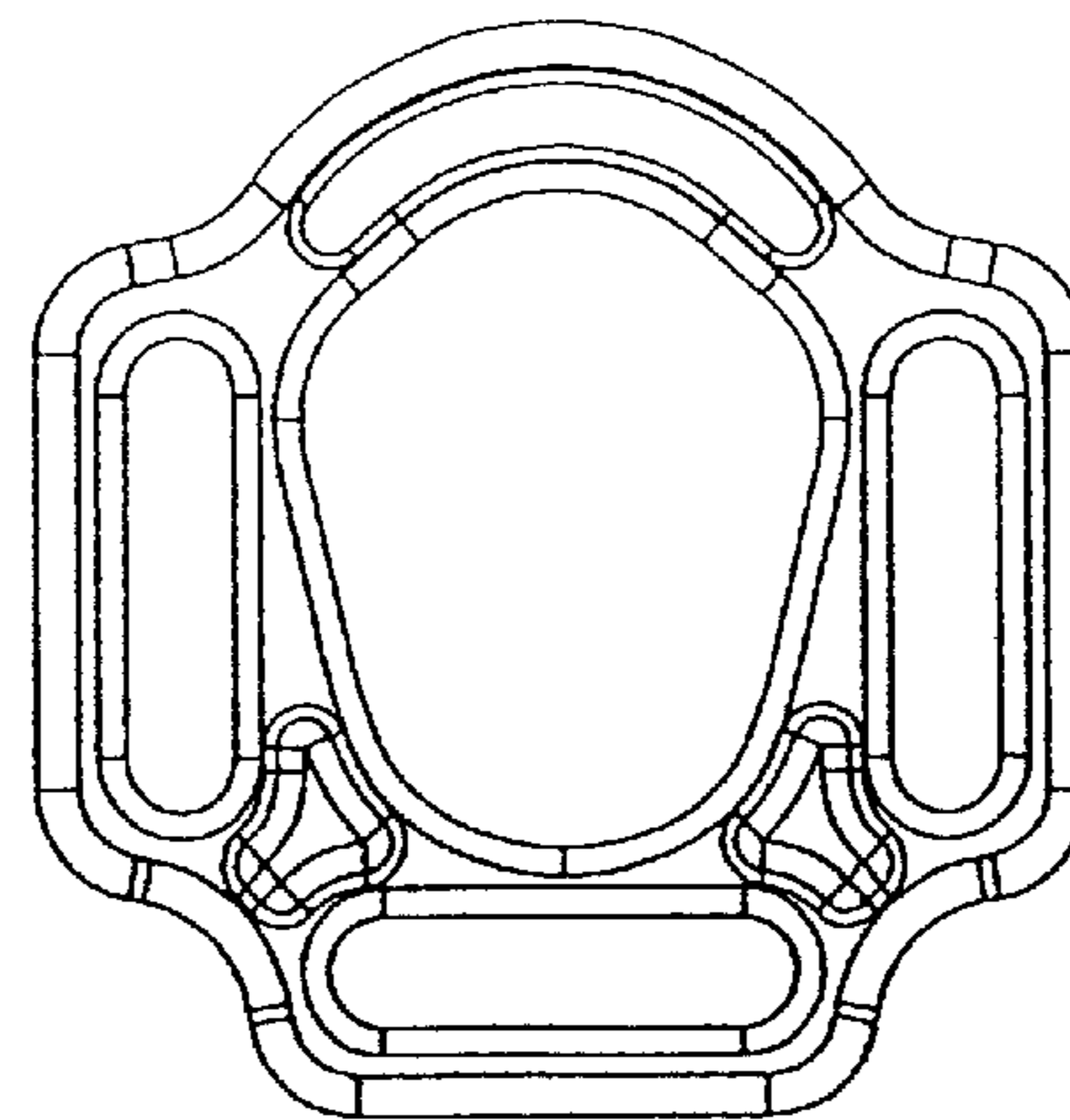


FIG. 7

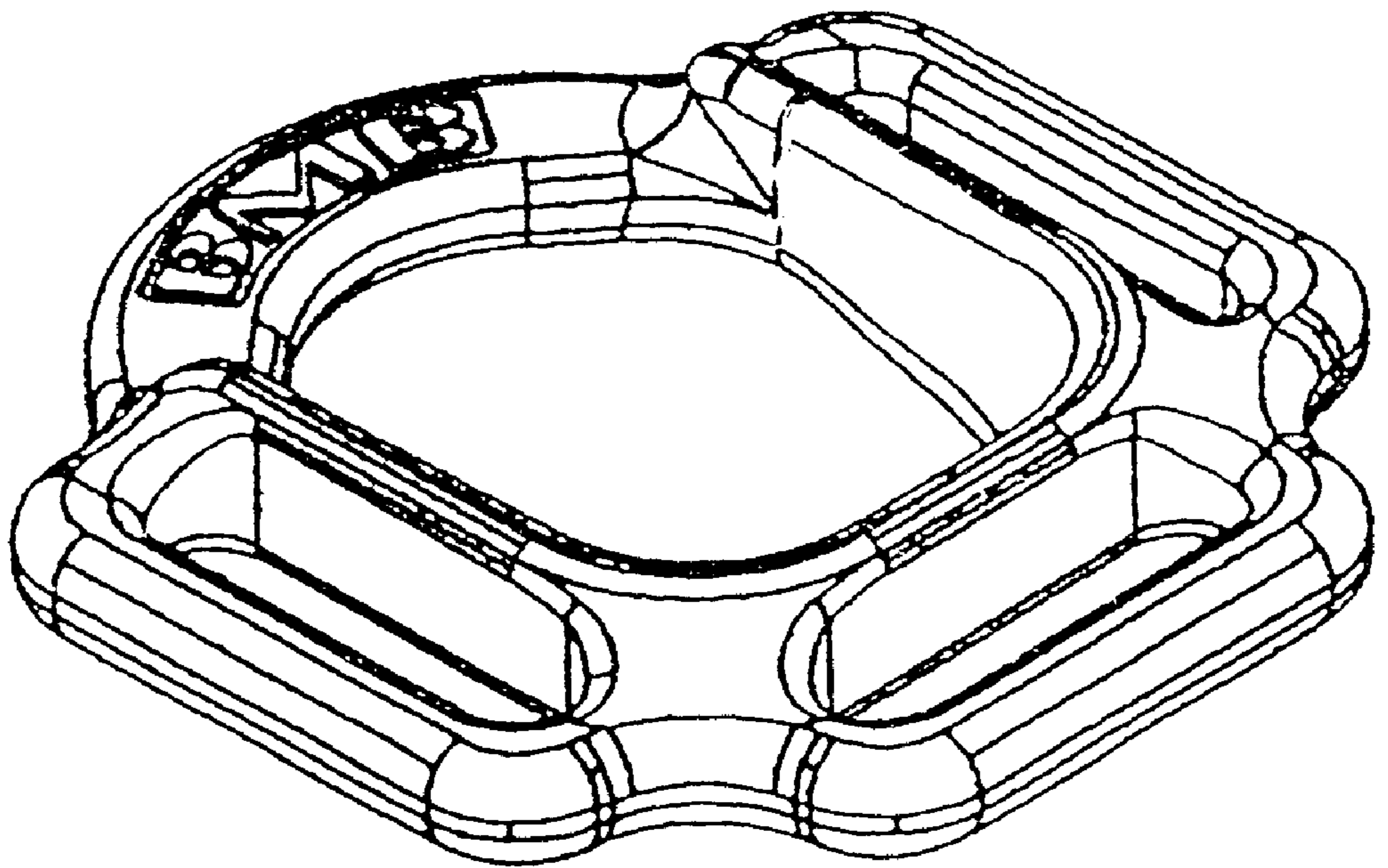


FIG. 8

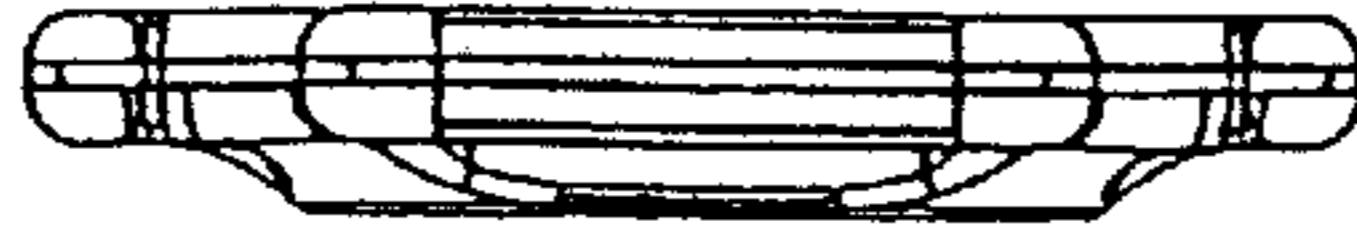


FIG. 12

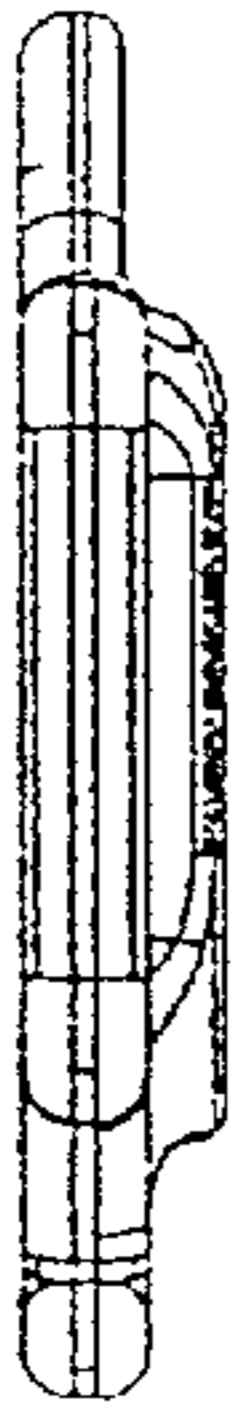


FIG. 11

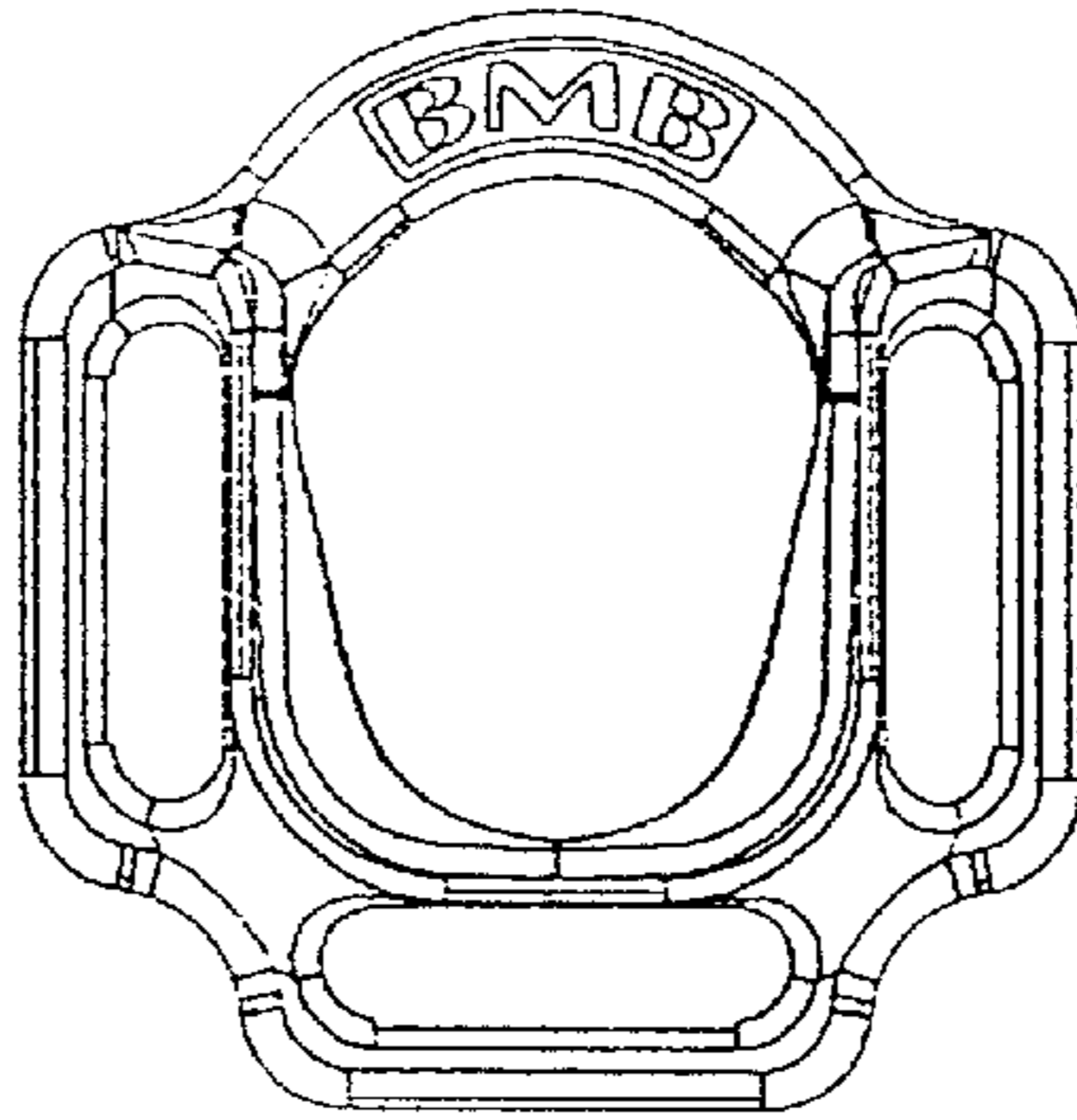


FIG. 9



FIG. 13

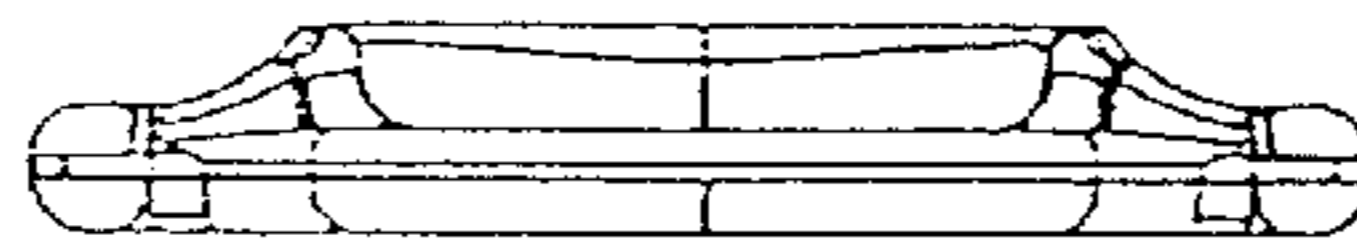


FIG. 10

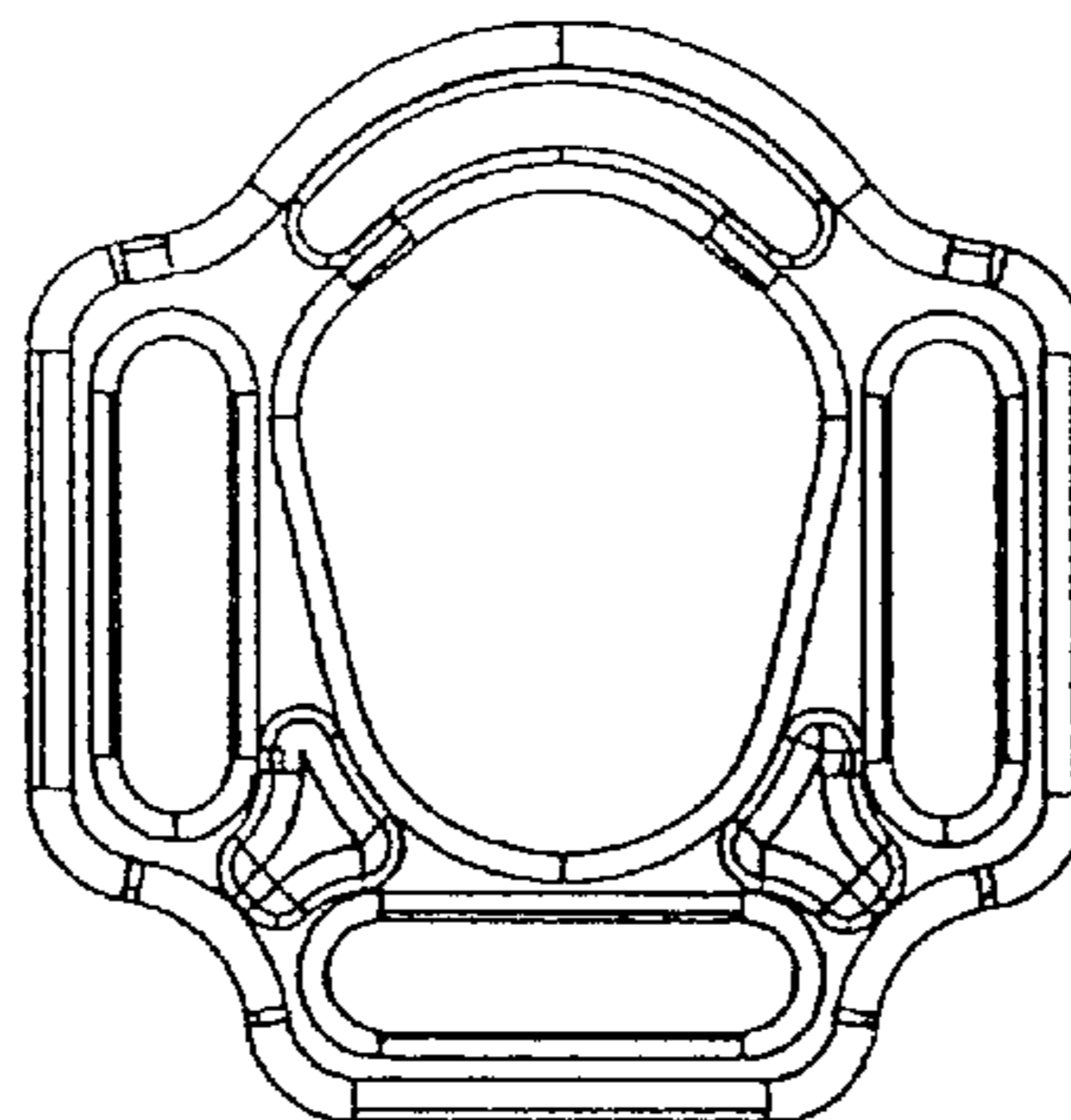


FIG. 14