



US00D477691S

(12) **United States Design Patent**  
**Crowley**

(10) **Patent No.:** **US D477,691 S**

(45) **Date of Patent:** **\*\* Jul. 22, 2003**

(54) **PET FEEDER TABLE**

(76) **Inventor:** **Lisa Prioleau Crowley**, 1108 B  
Beasley Rd., Wilmington, NC (US)  
28409

(\*\*) **Term:** **14 Years**

(21) **Appl. No.:** **29/169,220**

(22) **Filed:** **Oct. 15, 2002**

(51) **LOC (7) Cl.** ..... **30-03**

(52) **U.S. Cl.** ..... **D30/131; D30/133**

(58) **Field of Search** ..... D30/121, 129-132,  
D30/133; 119/61, 51.01, 51.5, 51.11, 51.12,  
52.4, 72, 73, 77, 158; D6/469

(56) **References Cited**

**U.S. PATENT DOCUMENTS**

D105,450 S \* 7/1937 Clifton ..... D30/130  
D237,787 S \* 11/1975 Weyrich, Jr. .... D34/24

4,658,759 A \* 4/1987 Brown ..... 119/61  
D315,974 S \* 4/1991 Steiner ..... D30/131  
D340,552 S \* 10/1993 Smith ..... D30/121  
D412,377 S \* 7/1999 Sharon ..... D30/130

\* cited by examiner

*Primary Examiner*—Pamela Burgess

(74) *Attorney, Agent, or Firm*—MacCord Mason PLLC

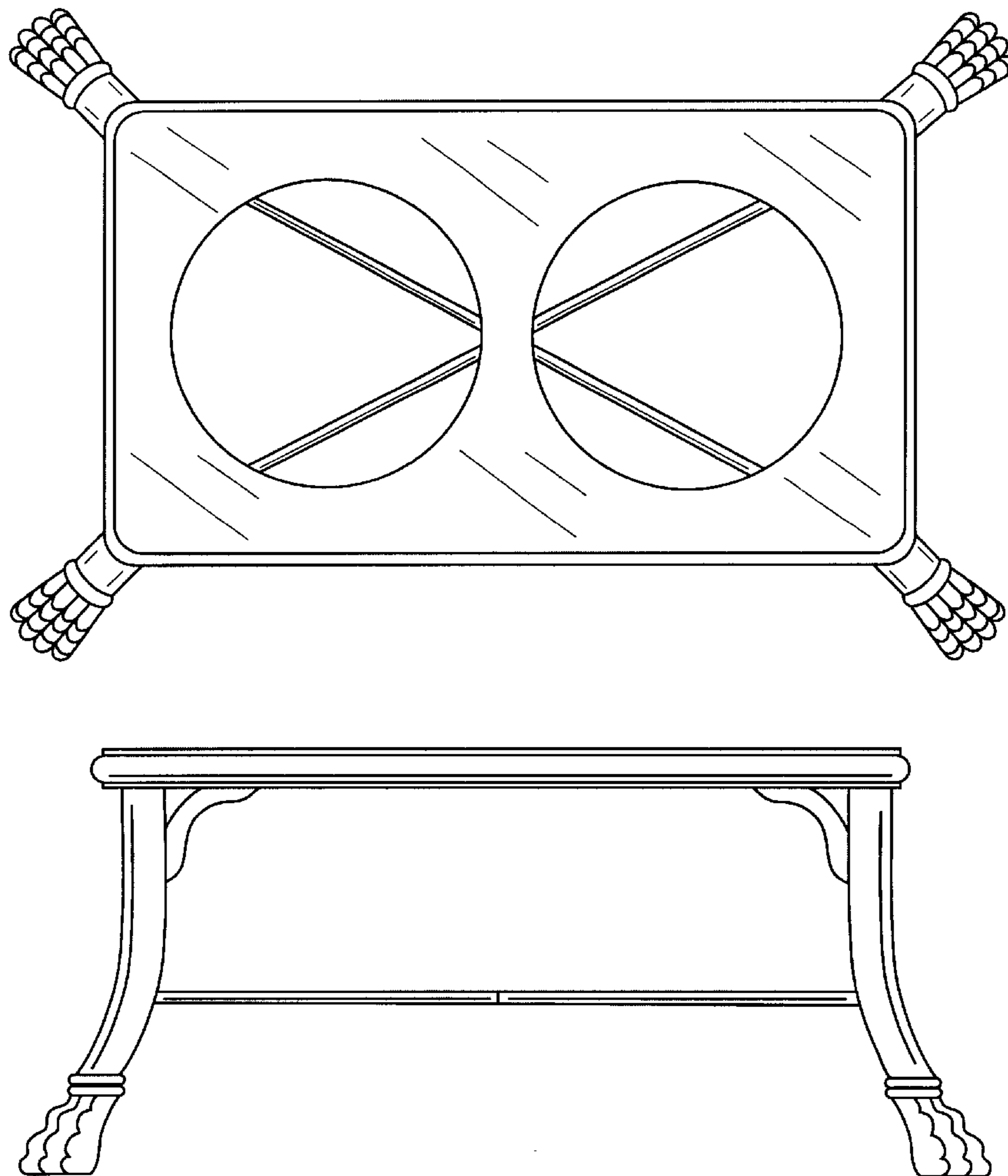
(57) **CLAIM**

The ornamental design for a pet feeder table, as shown and described.

**DESCRIPTION**

FIG. 1 is a top view of the pet feeder table.  
FIG. 2 is a bottom view of the pet feeder table.  
FIG. 3 is a front elevation view of the pet feeder table, the rear elevation view being the mirror image; and,  
FIG. 4 is a rear end view of the pet feeder table, the left end view being the mirror image.

**1 Claim, 2 Drawing Sheets**



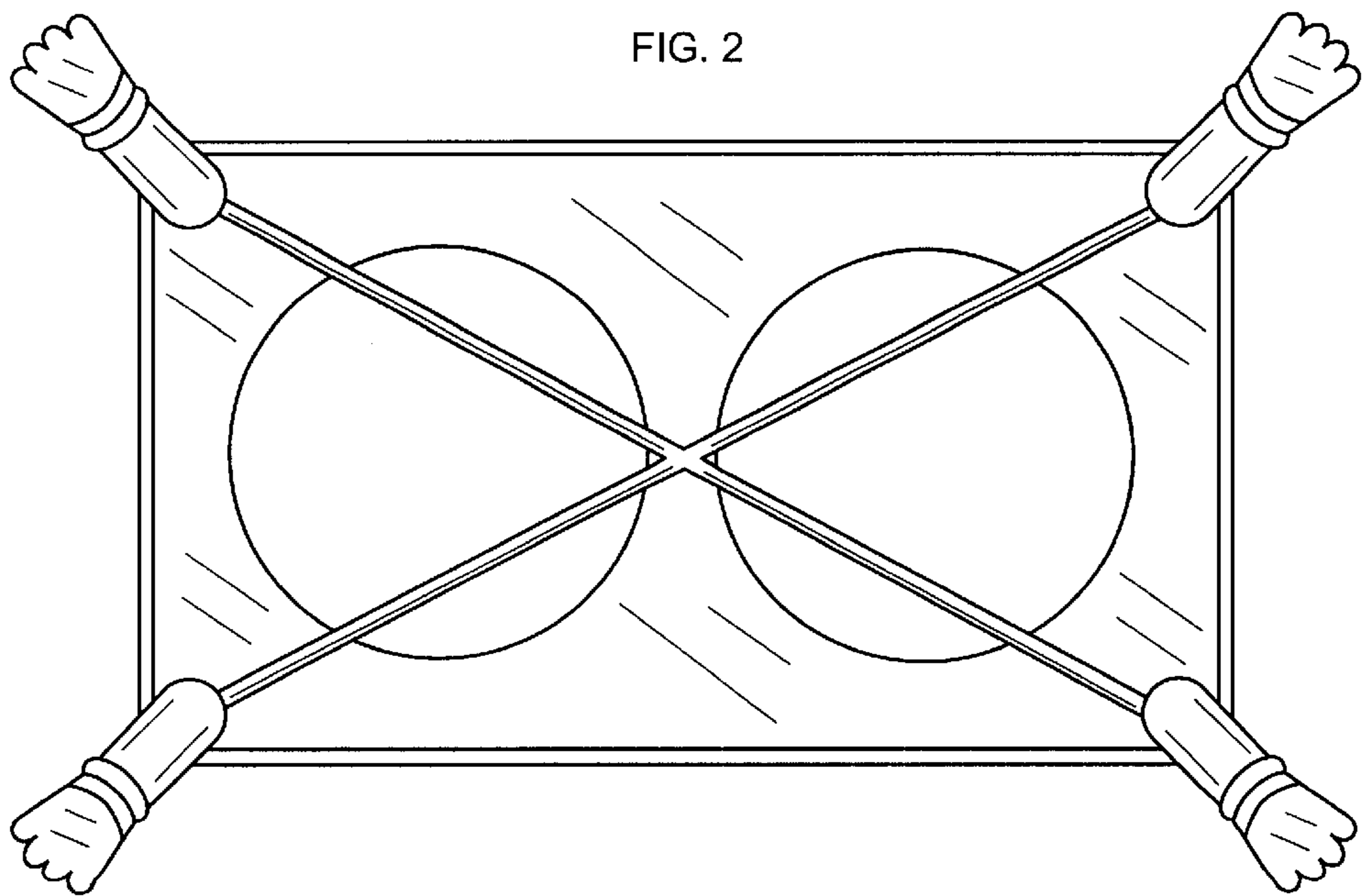
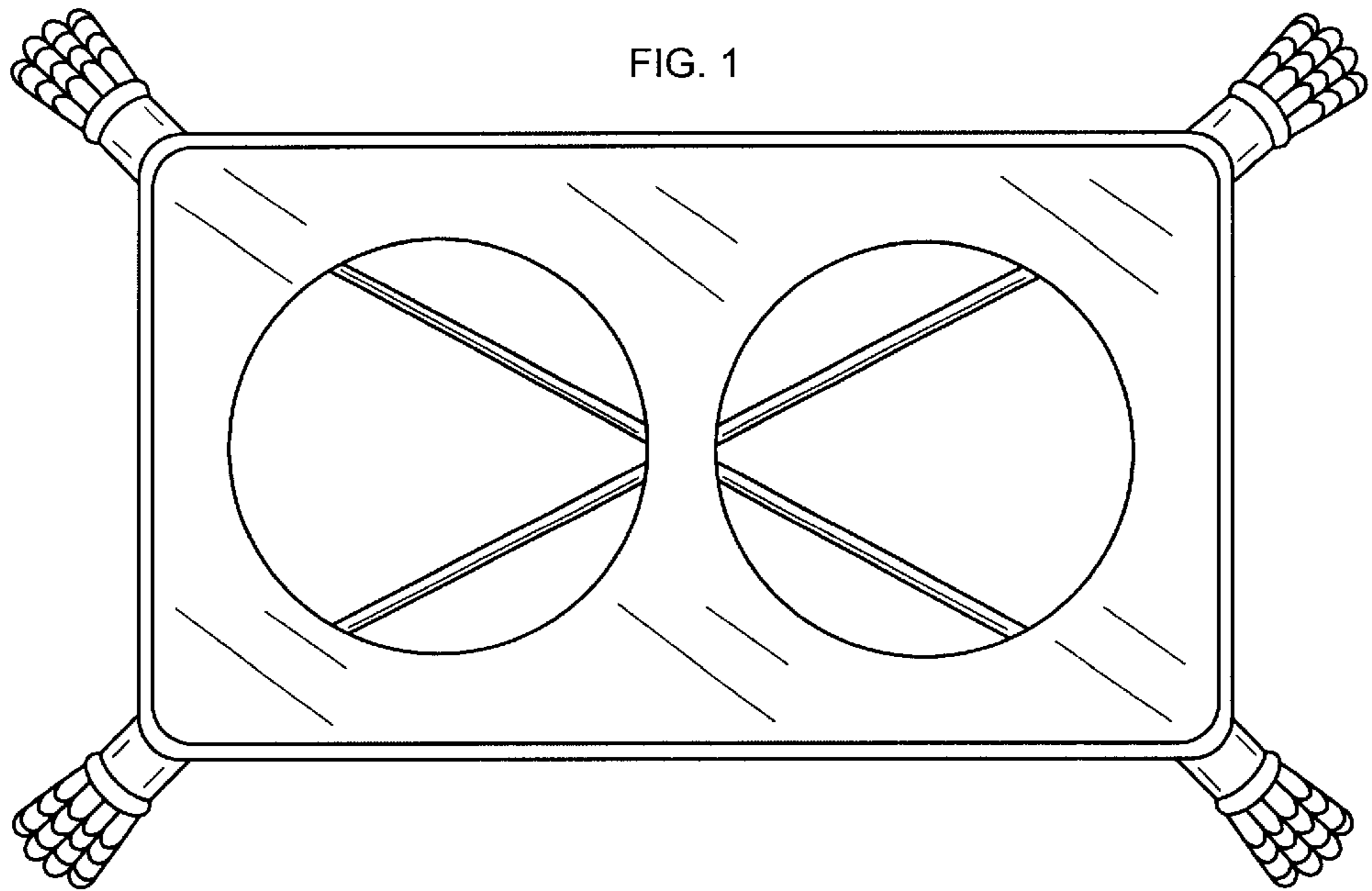


FIG. 3

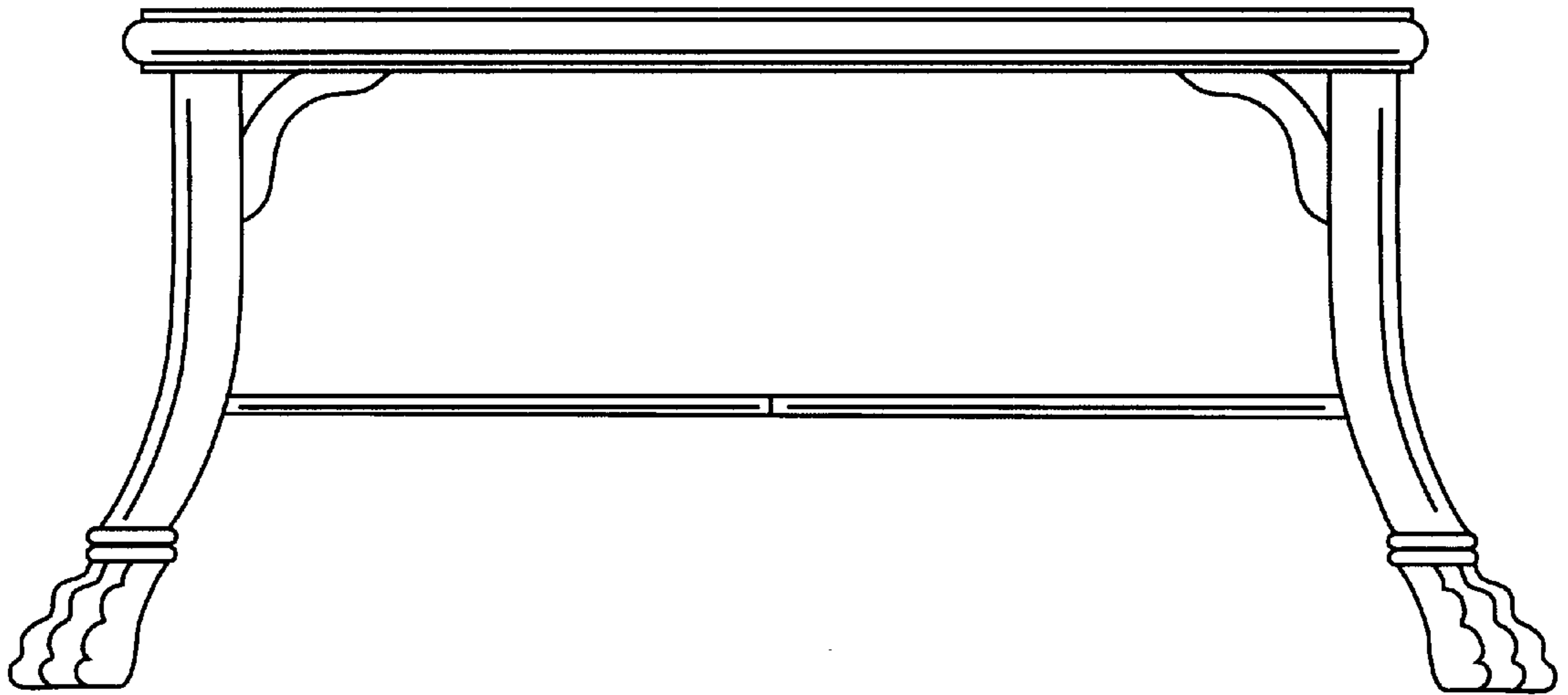


FIG. 4

