



US00D477689S

(12) **United States Design Patent**
Hoffman et al.

(10) **Patent No.: US D477,689 S**

(45) **Date of Patent: ** Jul. 22, 2003**

(54) **ELECTRICALLY HEATED HAIRSETTER**

D289,091 S * 3/1987 Skovdal D28/38
6,248,979 B1 * 6/2001 Cafaro 219/222

(75) Inventors: **Greg Karl Hoffman**, Brookfield, CT
(US); **Scot Lawrence Forrest**, Wolcott,
CT (US)

* cited by examiner

(73) Assignee: **Remington Corporation, L.L.C.**,
Bridgeport, CT (US)

Primary Examiner—Jennifer Rivard
(74) *Attorney, Agent, or Firm*—Melvin I. Stoltz

(**) Term: **14 Years**

(57) **CLAIM**

(21) Appl. No.: **29/154,327**

The ornamental design for the electrically heated hairsetter,
as shown and described.

(22) Filed: **Jan. 22, 2002**

DESCRIPTION

Related U.S. Application Data

(63) Continuation-in-part of application No. 29/135,434, filed on
Jan. 11, 2001.

FIG. 1 is a perspective view of the electrically heated hair
setter showing our new design;

(51) **LOC (7) Cl.** **28-03**

(52) **U.S. Cl.** **D28/38**

(58) **Field of Search** D28/37, 38; 219/222,
219/242, 521; 132/233, 227-229

FIG. 2 is a front elevational view thereof, with the cover of
the electrically heated hair setter shown in the open position;

FIG. 3 is a top plan view thereof;

FIG. 4 is a front elevational view thereof;

FIG. 5 is a rear elevational view thereof;

FIG. 6 is a bottom plan view thereof;

FIG. 7 is a right side view thereof; and,

FIG. 8 is a left side view thereof.

(56) **References Cited**

U.S. PATENT DOCUMENTS

D206,982 S * 2/1967 Giacchero D28/38

1 Claim, 7 Drawing Sheets

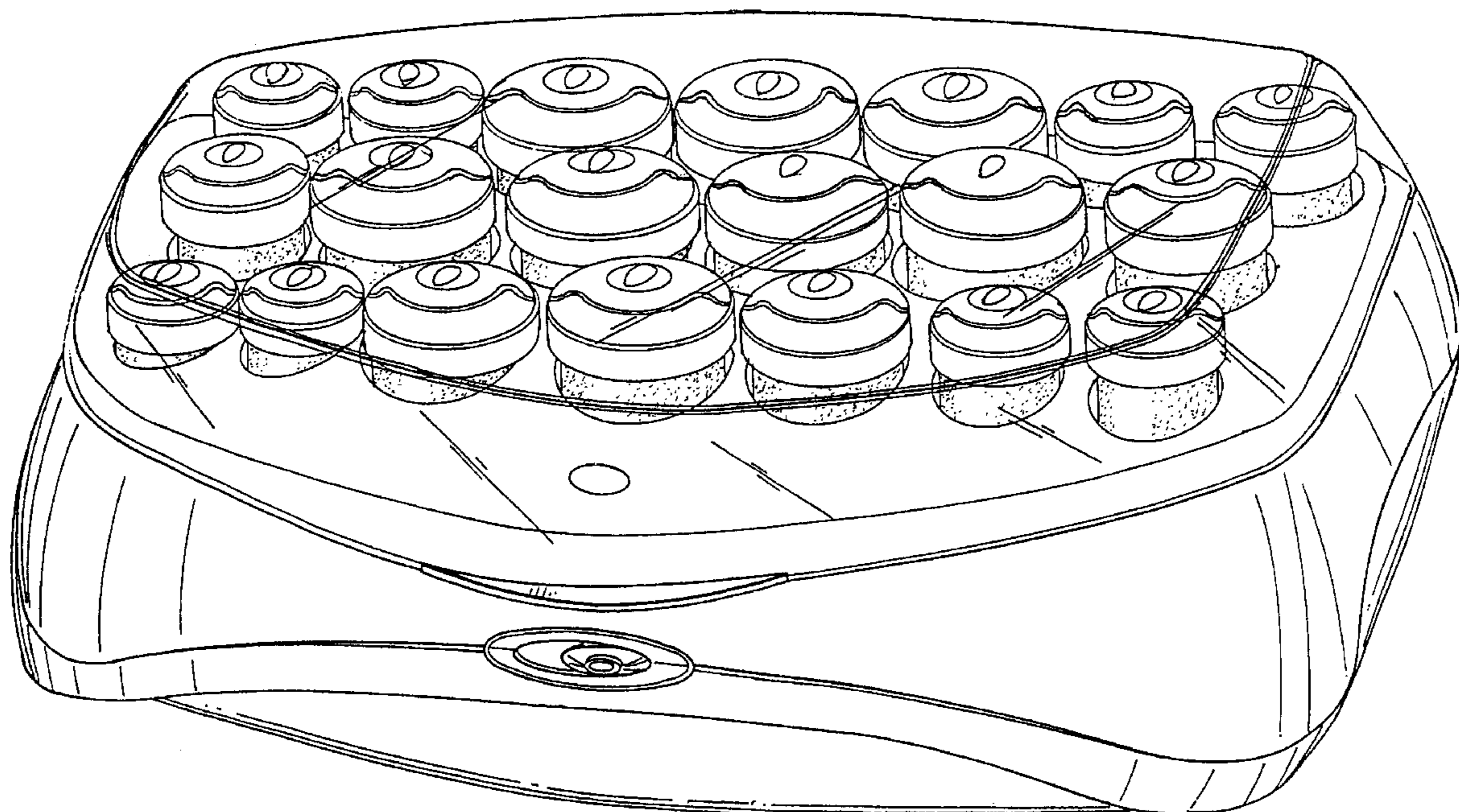


FIG. 1

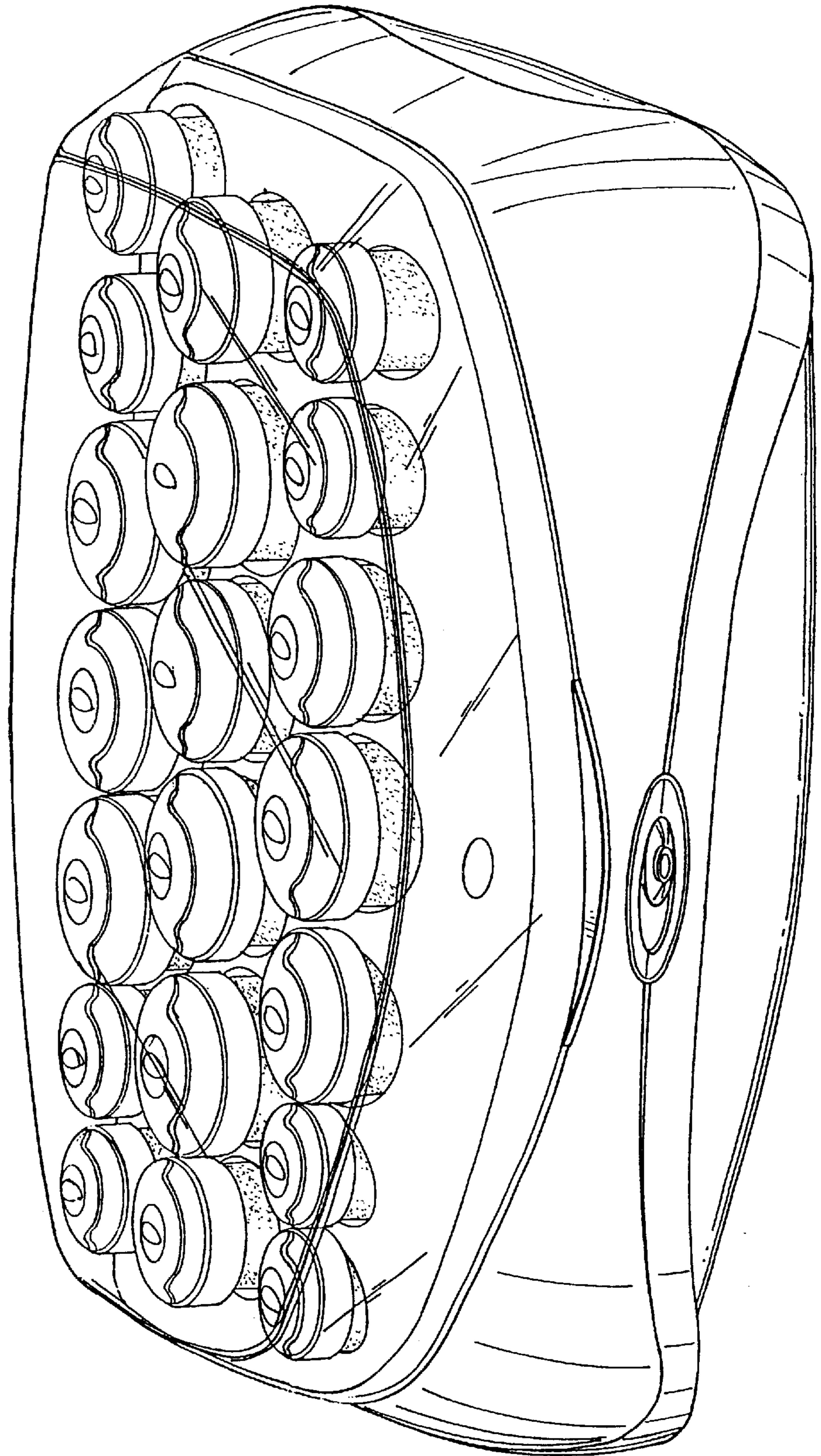


FIG. 2

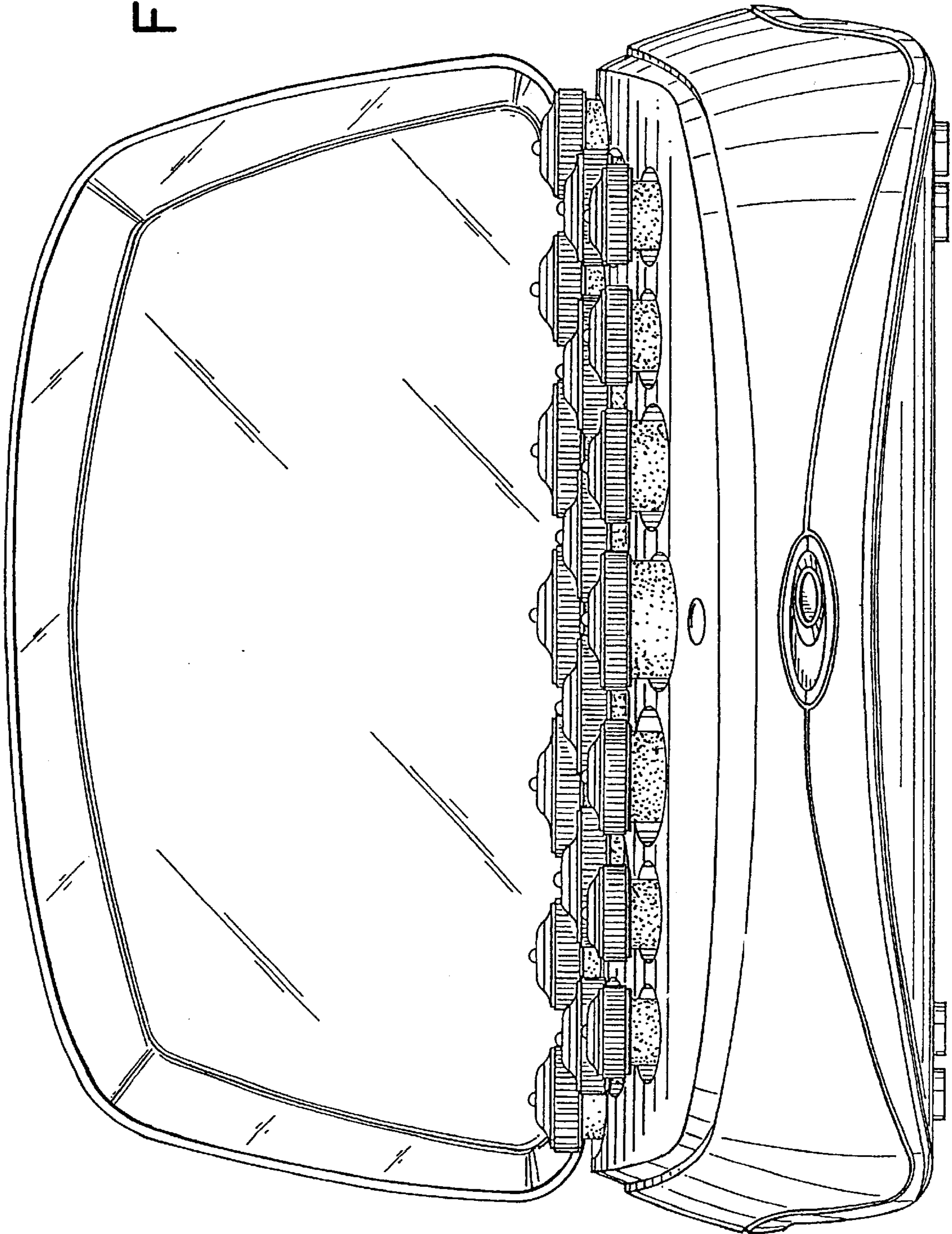


FIG. 3

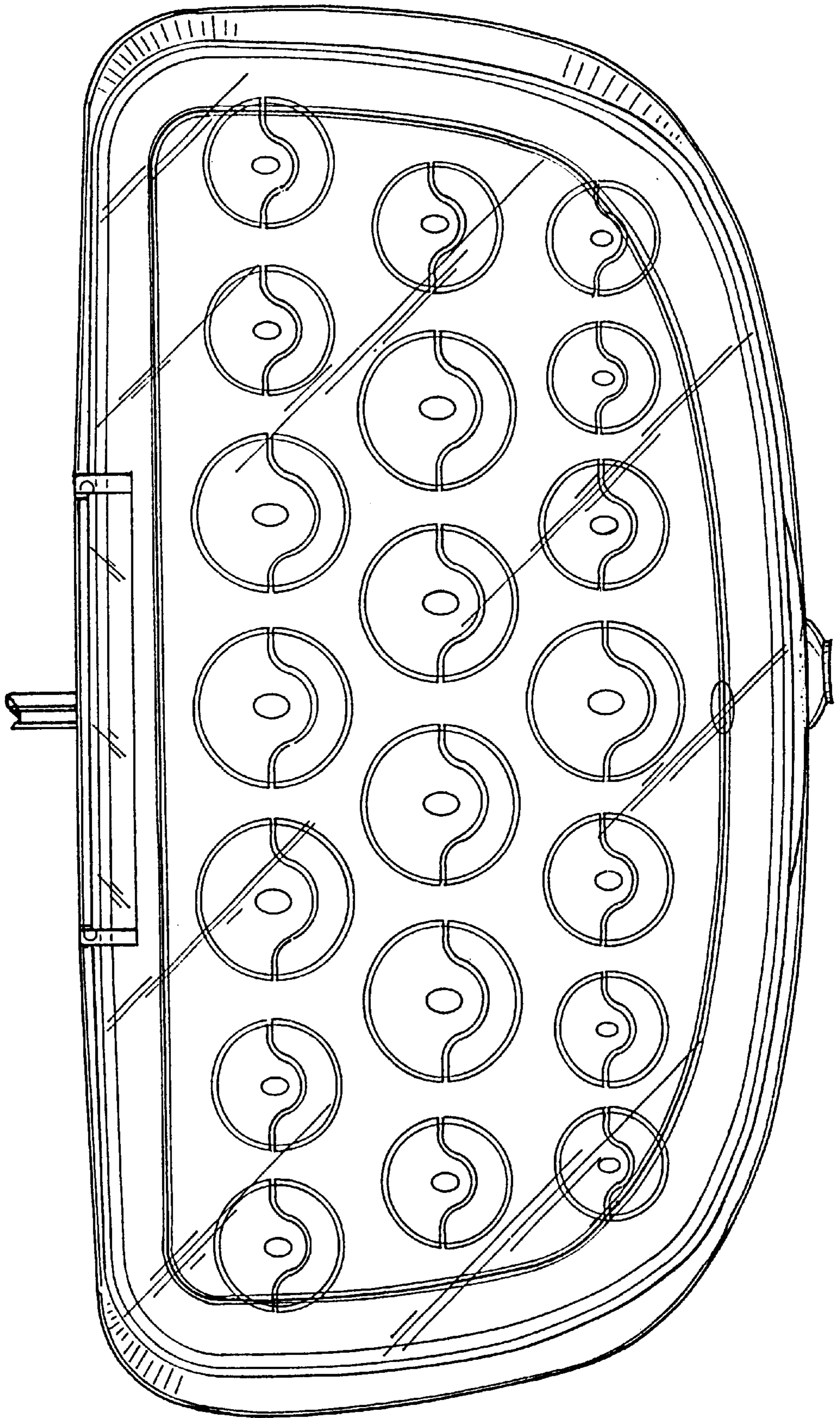


FIG. 4

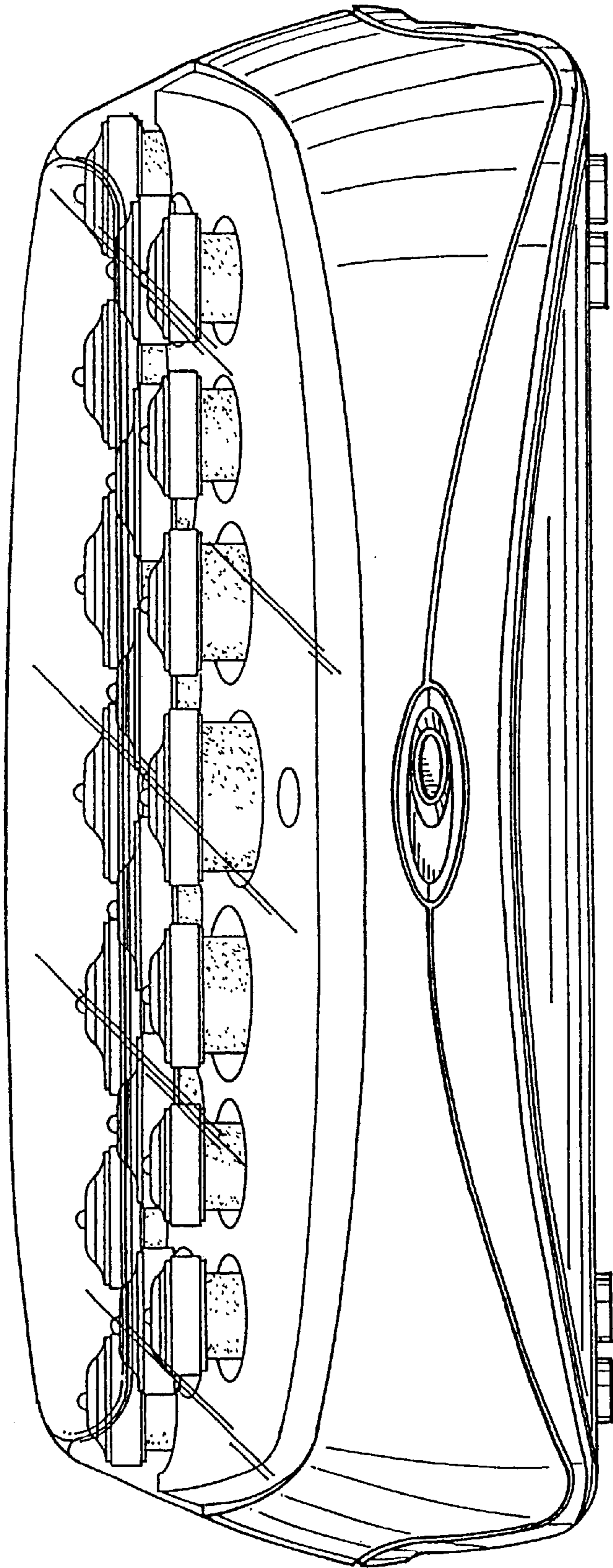


FIG. 5

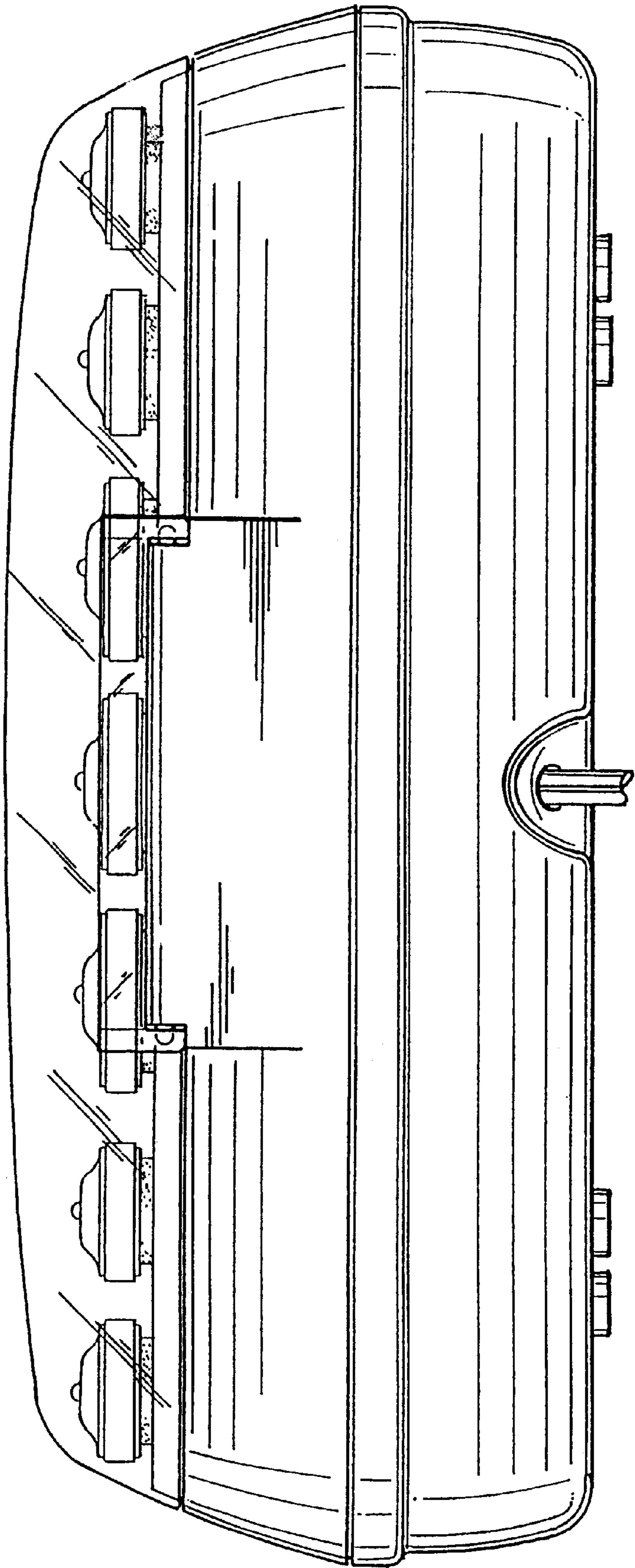


FIG. 6

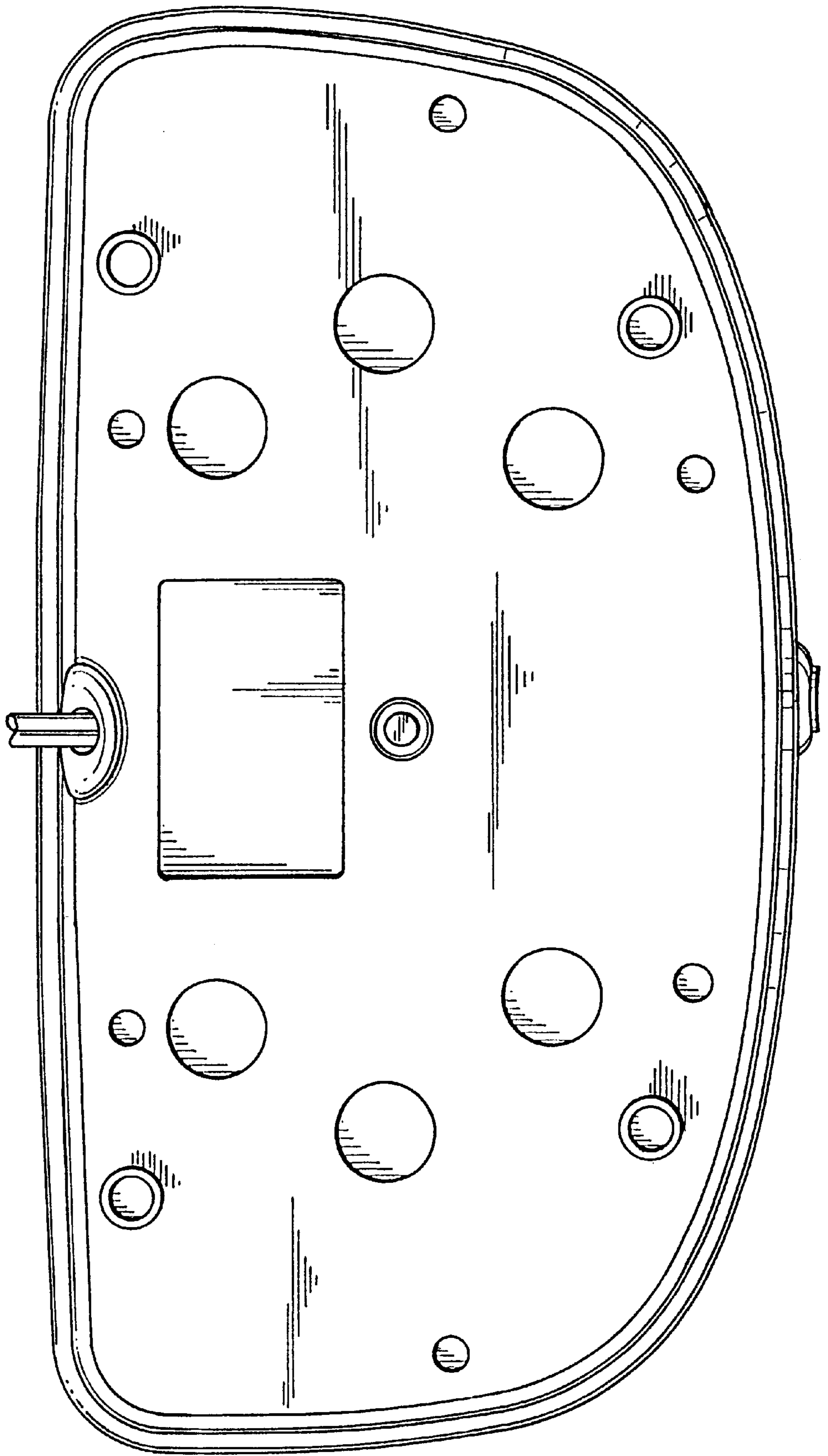


FIG. 7

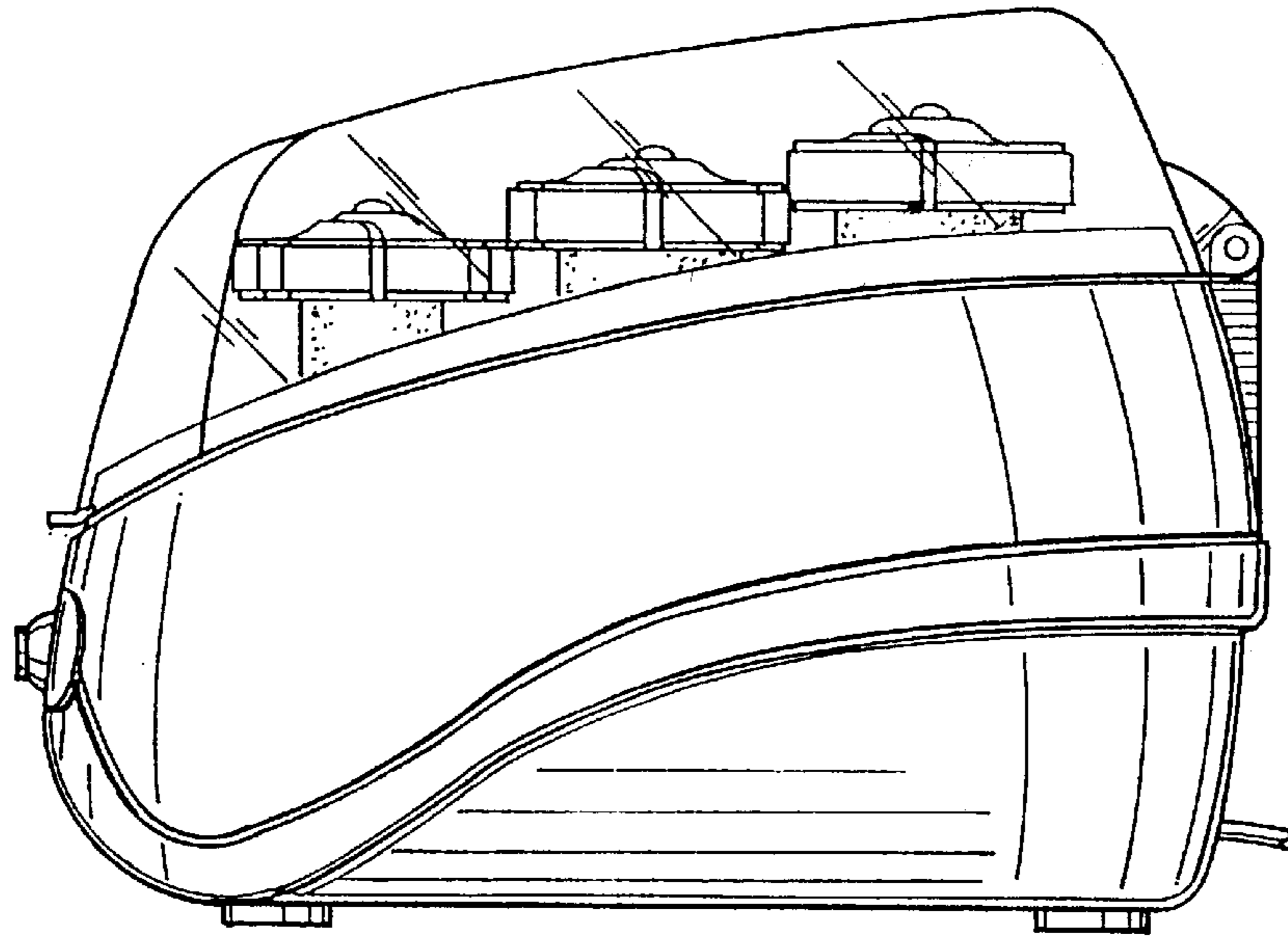


FIG. 8

