



US00D477687S

(12) **United States Design Patent**  
**Angeletta**

(10) **Patent No.: US D477,687 S**

(45) **Date of Patent: \*\* Jul. 22, 2003**

(54) **LIQUID AND LOTION APPLICATOR**

(76) Inventor: **Joseph G. Angeletta**, 418 Fifth St.,  
Mamaroneck, NY (US) 10543

(\*\*) Term: **14 Years**

(21) Appl. No.: **29/161,203**

(22) Filed: **May 24, 2002**

(65) **Prior Publication Data**

(65)

|             |   |         |                  |       |         |
|-------------|---|---------|------------------|-------|---------|
| D186,414 S  | * | 10/1959 | Fairchild        | ..... | D9/307  |
| D266,988 S  | * | 11/1982 | Grodin           | ..... | D7/303  |
| 5,322,382 A | * | 6/1994  | Hull et al.      | ..... | 401/131 |
| D357,810 S  | * | 5/1995  | Evans            | ..... | D4/114  |
| 5,454,659 A | * | 10/1995 | Vosbikian et al. | ..... | 401/207 |
| D384,436 S  | * | 9/1997  | Kelley           | ..... | D28/7   |
| 5,931,591 A | * | 8/1999  | McCracken        | ..... | 401/6   |
| D417,033 S  | * | 11/1999 | Sachs et al.     | ..... | D28/7   |
| D434,525 S  | * | 11/2000 | Angeletta        | ..... | D28/7   |
| D438,671 S  | * | 3/2001  | Angeletta        | ..... | D28/7   |
| D445,954 S  | * | 7/2001  | Angeletta        | ..... | D28/7   |
| D460,580 S  | * | 7/2002  | Angeletta        | ..... | D28/7   |

\* cited by examiner

**Related U.S. Application Data**

(62) Division of application No. 29/151,794, filed on Dec. 7, 2001, now Pat. No. Des. 461,279, which is a division of application No. 29/141,268, filed on May 2, 2001, now Pat. No. Des. 457,682.

(51) **LOC (7) Cl.** ..... **28-02**

(52) **U.S. Cl.** ..... **D28/7**

(58) **Field of Search** ..... D28/7, 63; D24/119;  
D9/338, 307; D3/270, 271; D4/114, 116,  
127, 124, 137, 138; 132/320, 317; 15/244.1-244.4,  
104.94, 143.1; D32/40, 42, 43, 45, 51,  
52; D30/158; 401/6, 44, 137-139, 196-198,  
202-207, 263-266, 268, 270-275

(56) **References Cited**

**U.S. PATENT DOCUMENTS**

D101,419 S \* 9/1936 Steelman ..... D9/307

*Primary Examiner*—Lucy Lieberman  
(74) *Attorney, Agent, or Firm*—Scully, Scott, Murphy & Presser

(57) **CLAIM**

The ornamental design for a liquid and lotion applicator, as shown and described.

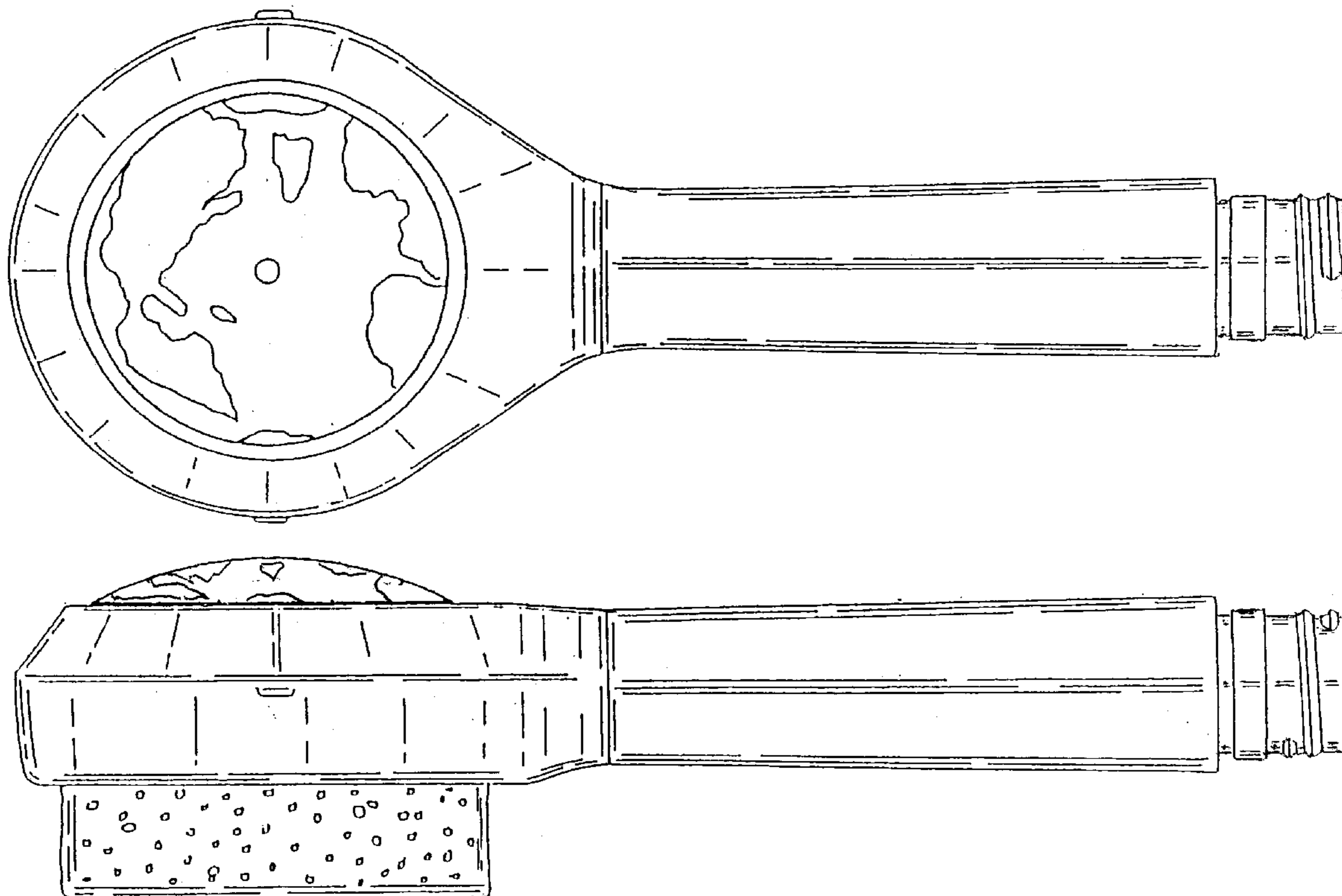
**DESCRIPTION**

FIG. 1 is a top plan view of a liquid and lotion applicator showing my new design;

FIG. 2 is a side elevation thereof; and,

FIG. 3 is a bottom plan view thereof.

**1 Claim, 2 Drawing Sheets**



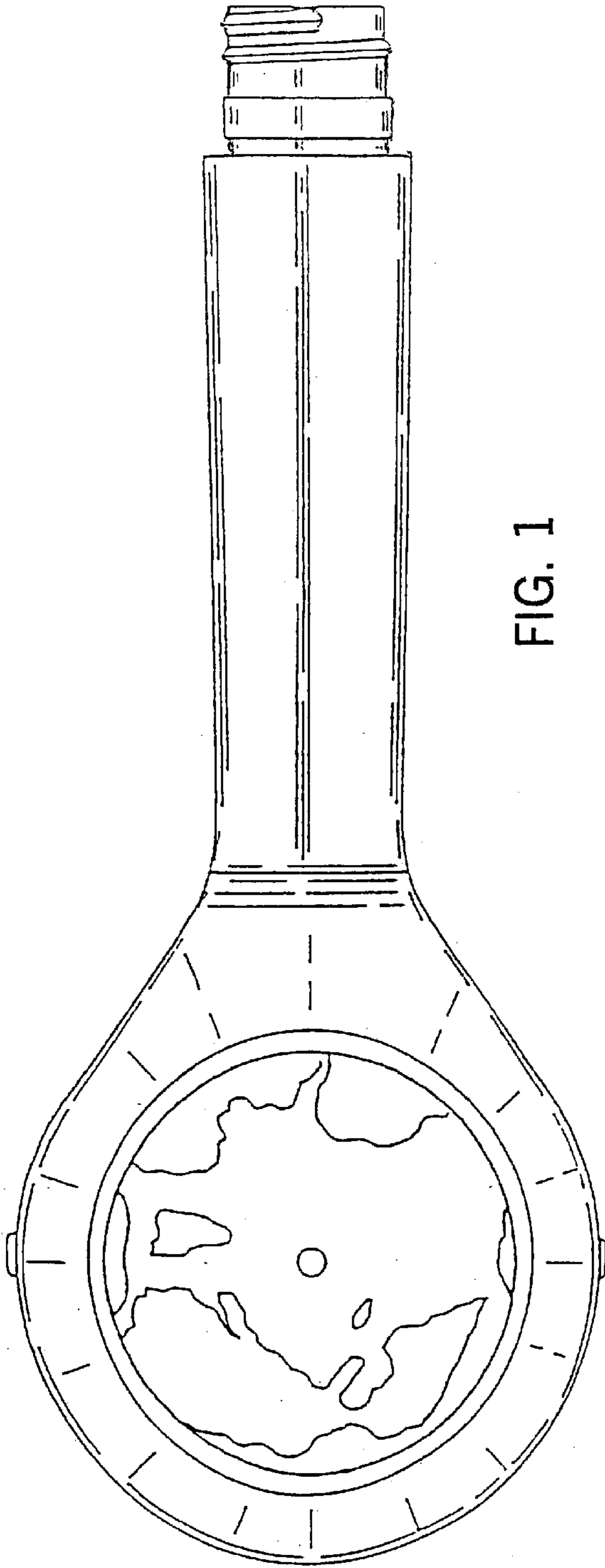


FIG. 1

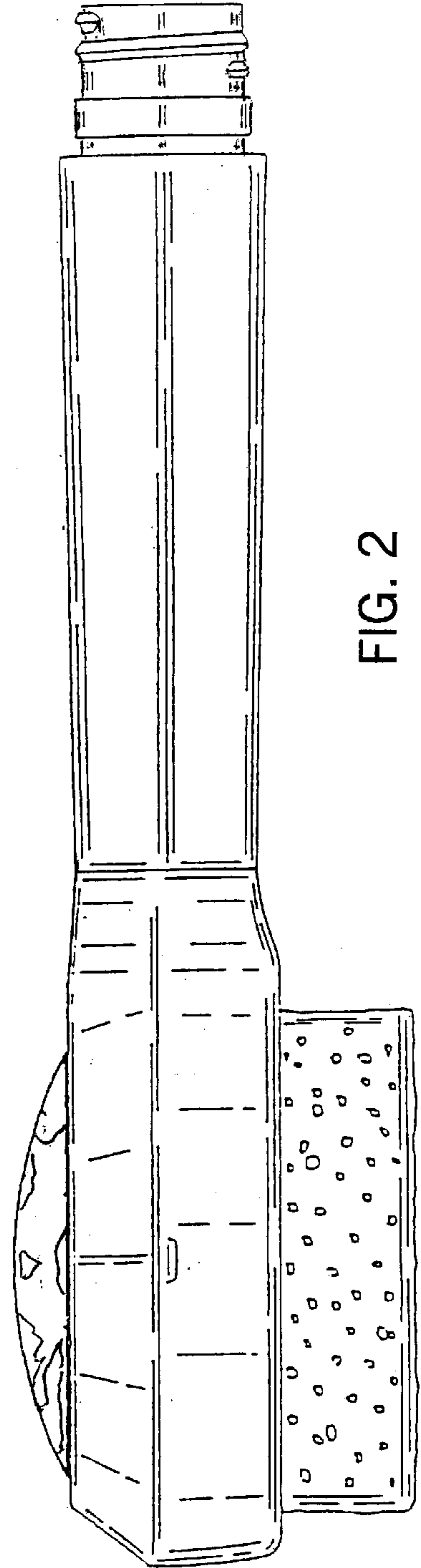


FIG. 2

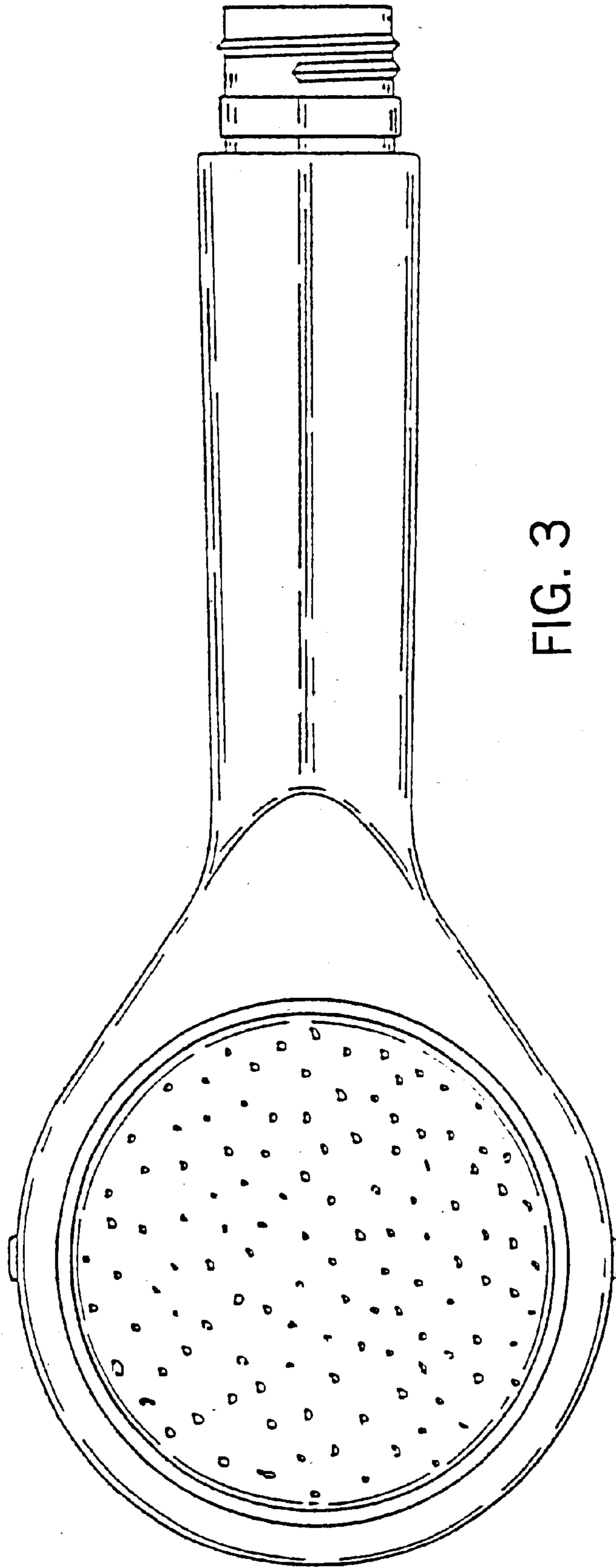


FIG. 3