



US00D477686S

(12) **United States Design Patent**  
**Angeletta**

(10) **Patent No.:** **US D477,686 S**

(45) **Date of Patent:** **\*\* Jul. 22, 2003**

(54) **LIQUID AND LOTION APPLICATOR**

(76) **Inventor:** **Joseph G. Angeletta**, 418 Fifth St.,  
Mamaroneck, NY (US) 10543

(\*\*) **Term:** **14 Years**

(21) **Appl. No.:** **29/160,615**

(22) **Filed:** **May 14, 2002**

D277,936 S	*	3/1985	Tobias	.....	D9/307
5,322,382 A	*	6/1994	Hull et al.	.....	401/131
D357,810 S	*	5/1995	Evans	.....	D4/114
5,454,659 A	*	10/1995	Vosbikian et al.	.....	401/207
D384,436 S	*	9/1997	Kelley	.....	D28/7
5,931,591 A	*	8/1999	McCracken	.....	401/6
D417,033 S	*	11/1999	Sachs et al.	.....	D28/7
D434,525 S	*	11/2000	Angeletta	.....	D28/7
D438,671 S	*	3/2001	Angeletta	.....	D28/7
D445,954 S	*	7/2001	Angeletta	.....	D28/7
D460,580 S	*	7/2002	Angeletta	.....	D28/7

**Related U.S. Application Data**

(62) Division of application No. 29/151,795, filed on Dec. 7, 2001, now Pat. No. Des. 460,581, which is a division of application No. 29/138,925, filed on Mar. 21, 2001, now Pat. No. Des. 455,857.

(51) **LOC (7) Cl.** ..... **28-02**

(52) **U.S. Cl.** ..... **D28/7**

(58) **Field of Search** ..... D28/7, 63; D24/119;  
D9/338, 307, 308, 309; D3/270, 271; D4/114,  
116, 127, 124, 137, 138; 132/320, 317;  
15/244.1-244.4, 104.94, 143.1; D32/40,  
42, 43, 45, 51, 52; D30/158; 401/6, 44,  
137-139, 196-198, 202-207, 263-266,  
268, 270-275

(56) **References Cited**

**U.S. PATENT DOCUMENTS**

D144,569 S \* 4/1946 Karoff ..... D9/309

\* cited by examiner

*Primary Examiner*—Lucy Lieberman

(74) *Attorney, Agent, or Firm*—Scully, Scott, Murphy & Presser

(57) **CLAIM**

The ornamental design for a liquid and lotion applicator, as shown and described.

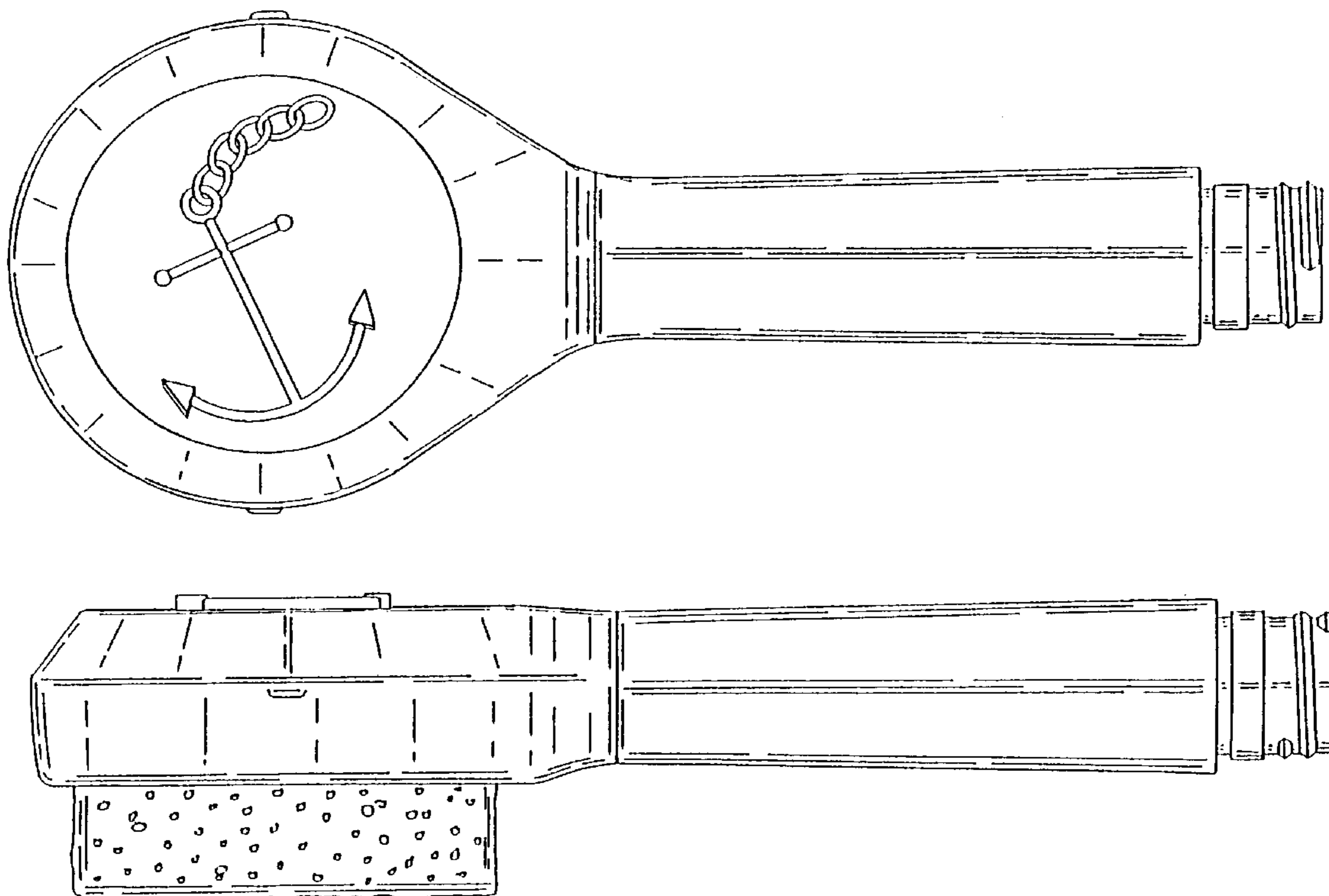
**DESCRIPTION**

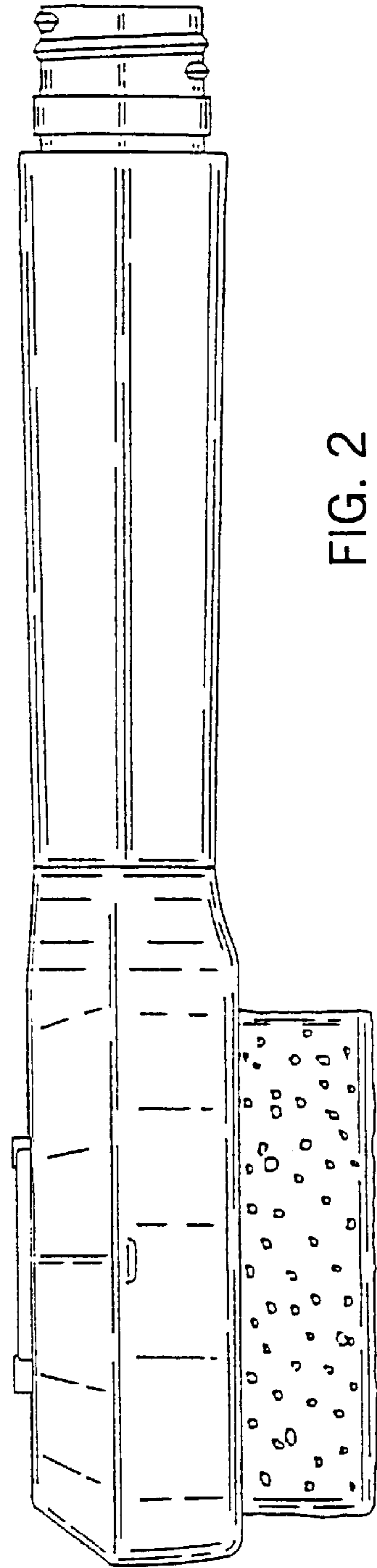
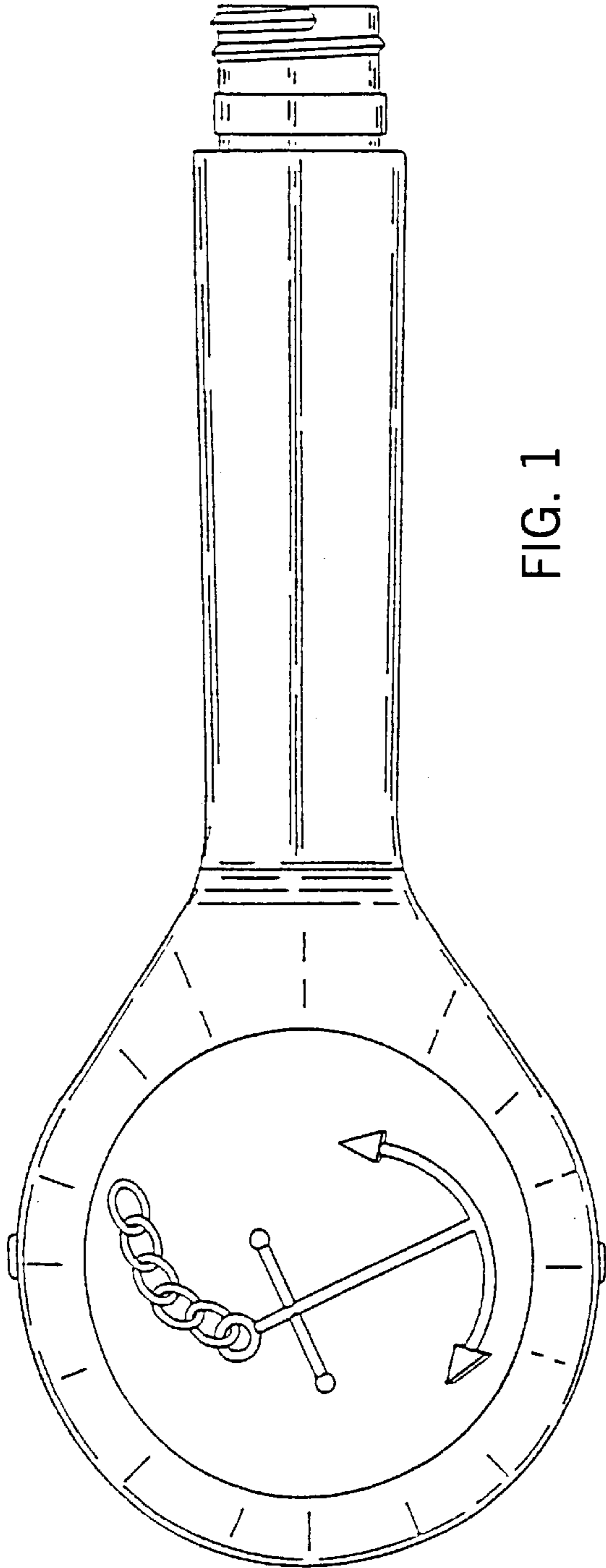
FIG. 1 is a top plan view of a liquid and lotion applicator showing my new design;

FIG. 2 is a side elevation thereof; and,

FIG. 3 is a bottom plan view thereof.

**1 Claim, 2 Drawing Sheets**





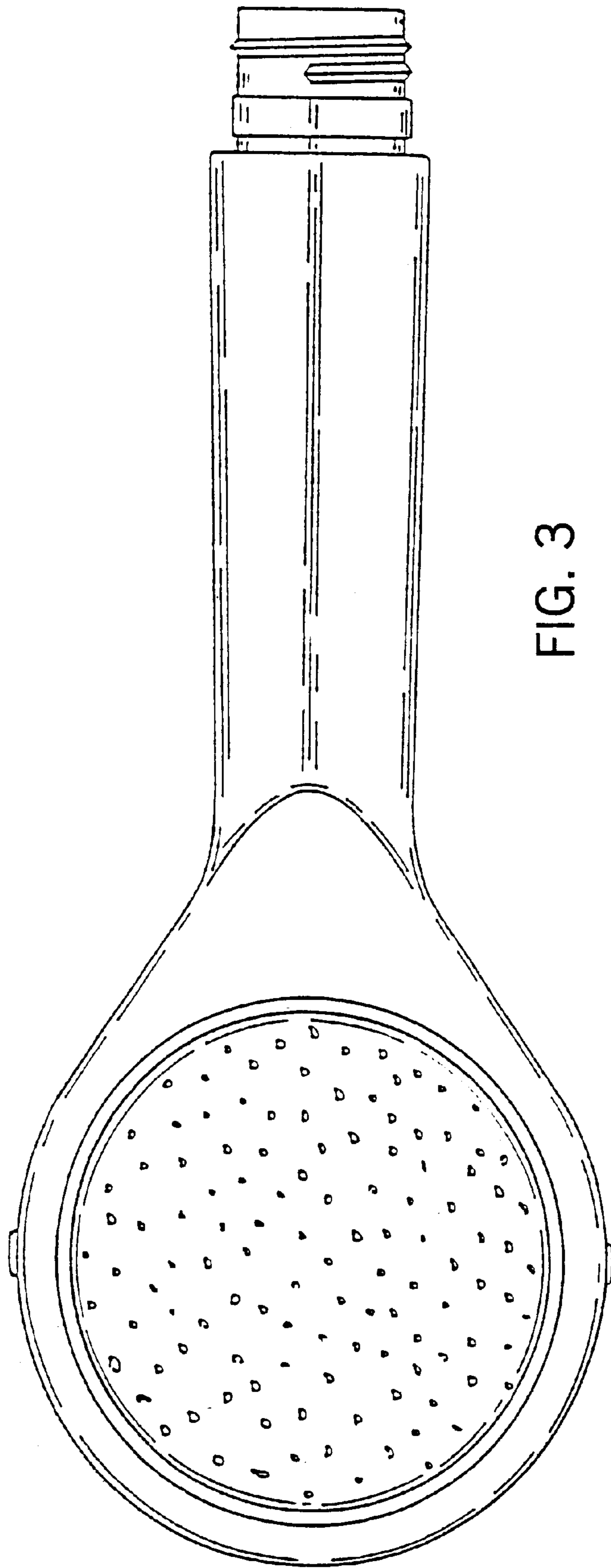


FIG. 3