



US00D477685S

(12) **United States Design Patent**
Patel et al.

(10) **Patent No.:** **US D477,685 S**

(45) **Date of Patent:** **** Jul. 22, 2003**

(54) **LIGHTER**

D463,881 S * 10/2002 Smith D27/157

(75) Inventors: **Mack Patel**, Highland Park, IL (US);
Byung Kug Lee, Seoul (KR)

* cited by examiner

(73) Assignees: **East-West Trading Corporation**,
Chicago, IL (US); **Win Corporation**
Ltd. (KR)

Primary Examiner—Jennifer Rivard
(74) *Attorney, Agent, or Firm*—Pendorf & Cutliff

(**) Term: **14 Years**

(57) **CLAIM**

The ornamental design for a lighter, as shown and described.

(21) Appl. No.: **29/167,421**

DESCRIPTION

(22) Filed: **Sep. 13, 2002**

(51) **LOC (7) Cl.** **27-05**

(52) **U.S. Cl.** **D27/154**

(58) **Field of Search** D27/141, 154,
D27/160; 431/273–277, 254–256, 143,
157

FIG. 1 is an elevated perspective view of a lighter;
FIG. 2 is a front view of the lighter of FIG. 1;
FIG. 3 is a back view of the lighter of FIG. 1;
FIG. 4 is a left side view of the lighter of FIG. 1;
FIG. 5 is a right side view of the lighter of FIG. 1;
FIG. 6 is a top plan view of the lighter of FIG. 1; and,
FIG. 7 is a bottom plan view of the lighter of FIG. 1.

(56) **References Cited**

U.S. PATENT DOCUMENTS

D452,584 S * 12/2001 Chen D27/157

1 Claim, 6 Drawing Sheets

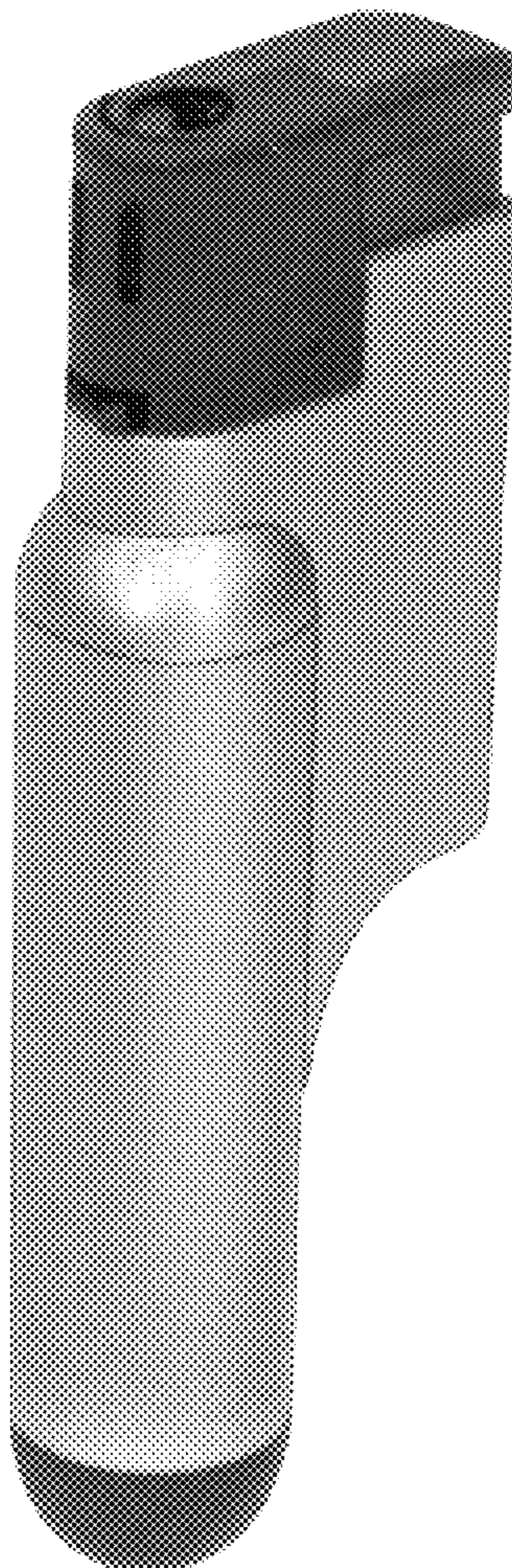


FIG . 1

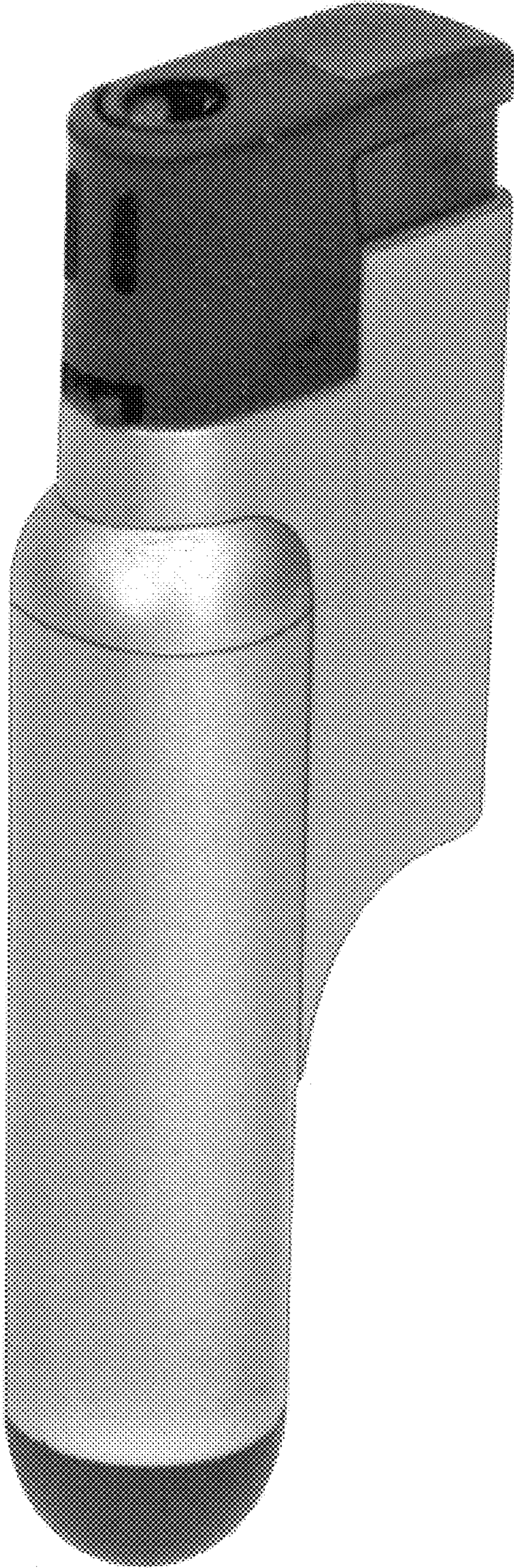


FIG . 2

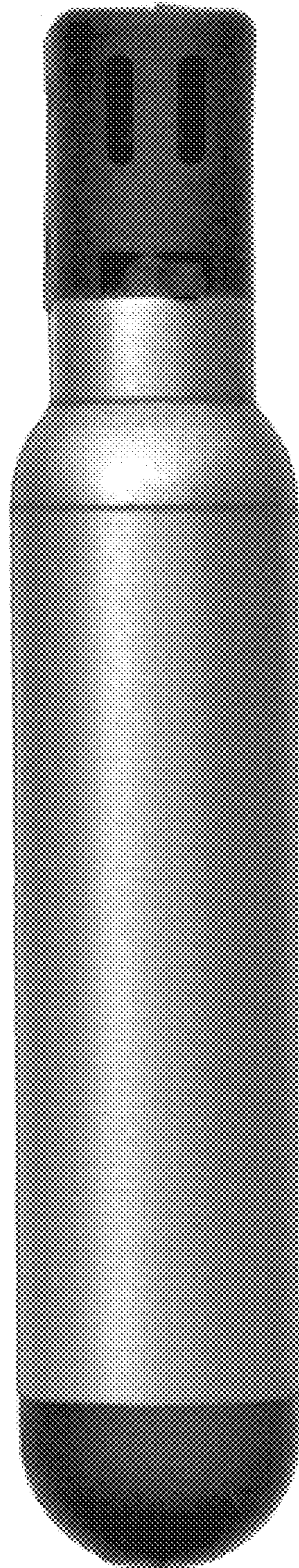


FIG . 3

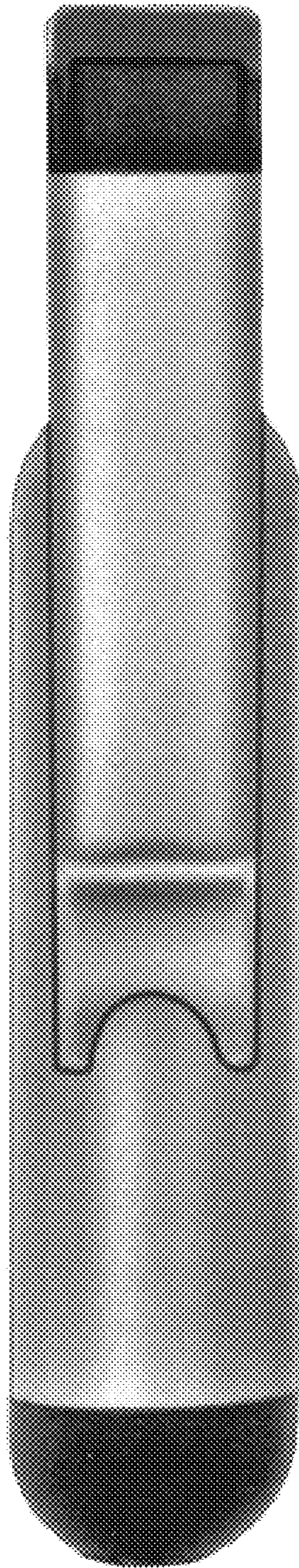


FIG . 4

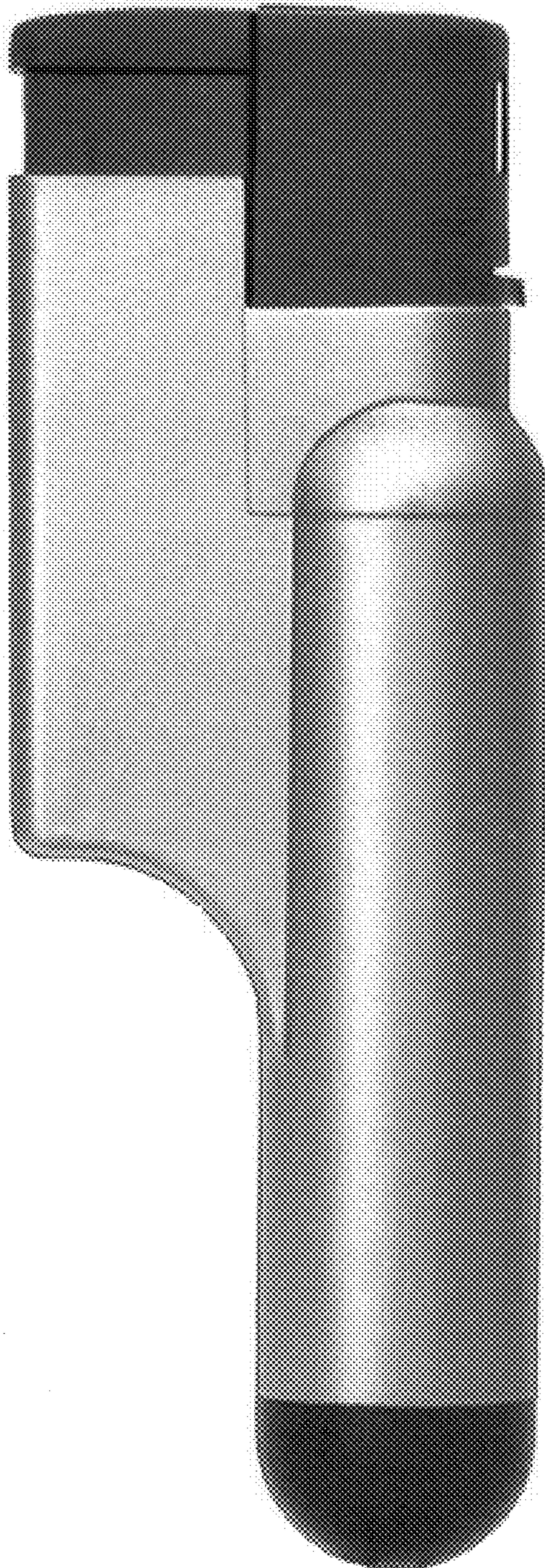


FIG . 5

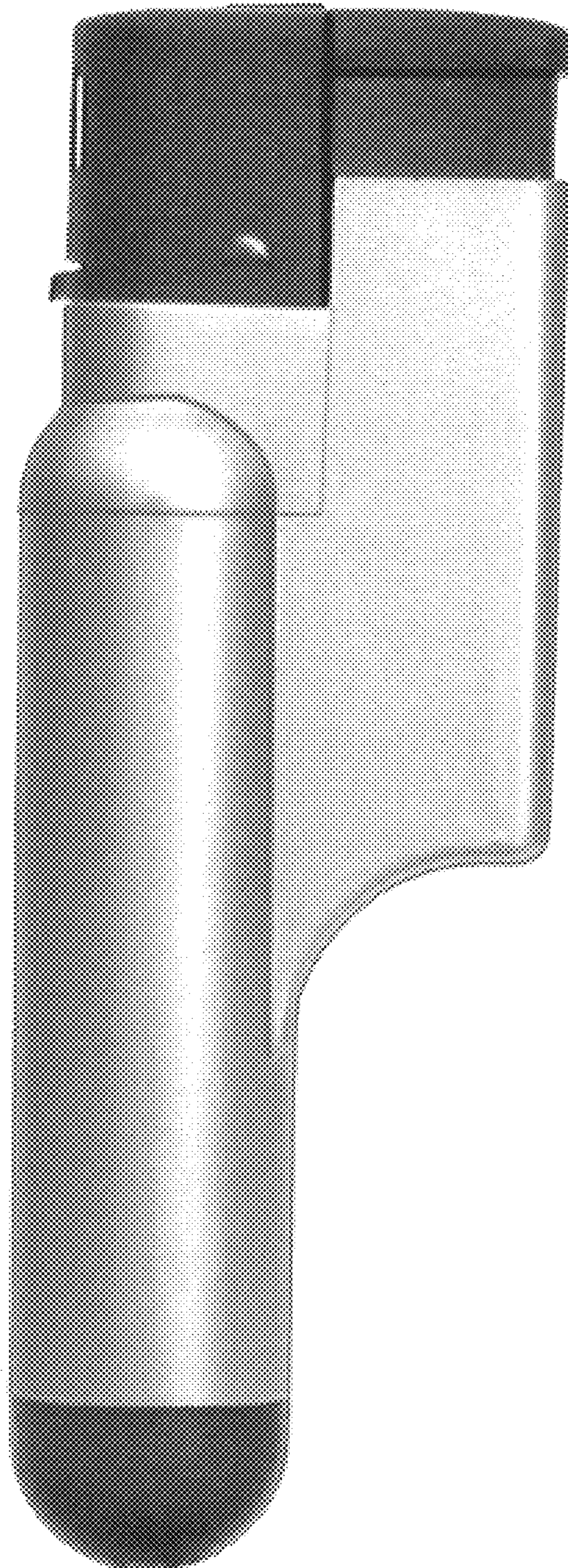


FIG . 6

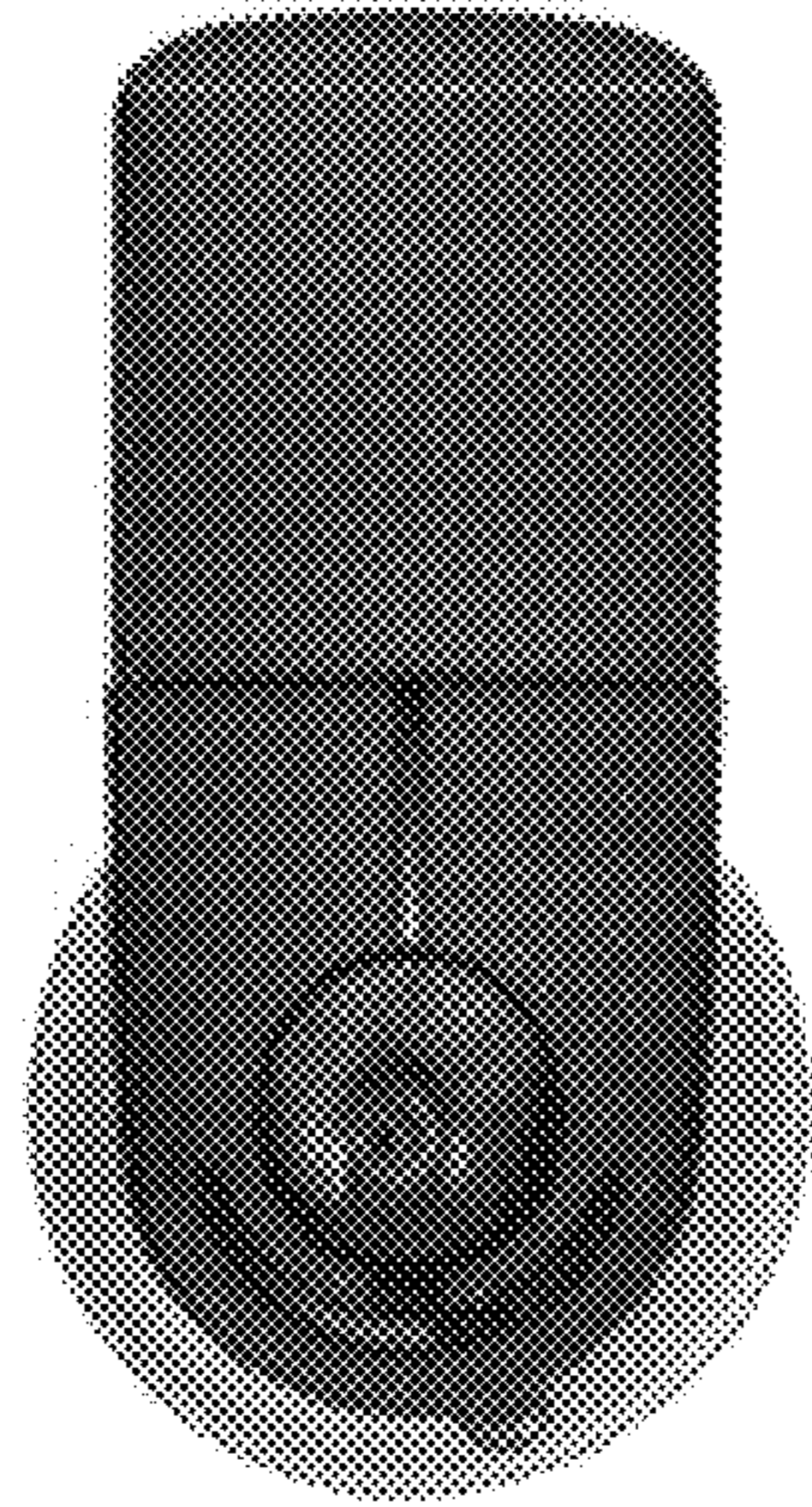


FIG . 7

