



US00D477681S

(12) **United States Design Patent**
Krieger et al.

(10) **Patent No.:** **US D477,681 S**

(45) **Date of Patent:** **** Jul. 22, 2003**

(54) **HANDHELD SPOTLIGHT WITH GUN GRIP HANDLE**

D460,207 S * 7/2002 Krieger et al. D26/45
D462,470 S * 9/2002 Krieger et al. D26/45
D466,637 S * 12/2002 Gisser D26/45

(75) Inventors: **Michael Krieger**, Miami Beach, FL (US); **Kevin Ellsworth**, Hollywood, FL (US)

* cited by examiner

Primary Examiner—Marcus A. Jackson

(73) Assignee: **Vector Products, Inc.**, Ft. Lauderdale, FL (US)

(74) *Attorney, Agent, or Firm*—Venable LLP; Robert Kinberg

(**) Term: **14 Years**

(57) **CLAIM**

(21) Appl. No.: **29/166,990**

The ornamental design for a handheld spotlight with gun grip handle, as shown and described.

(22) Filed: **Sep. 9, 2002**

DESCRIPTION

(51) **LOC (7) Cl.** **26-02**

(52) **U.S. Cl.** **D26/45**

(58) **Field of Search** D26/37-50; 362/157, 362/158, 171, 172, 173, 183-208

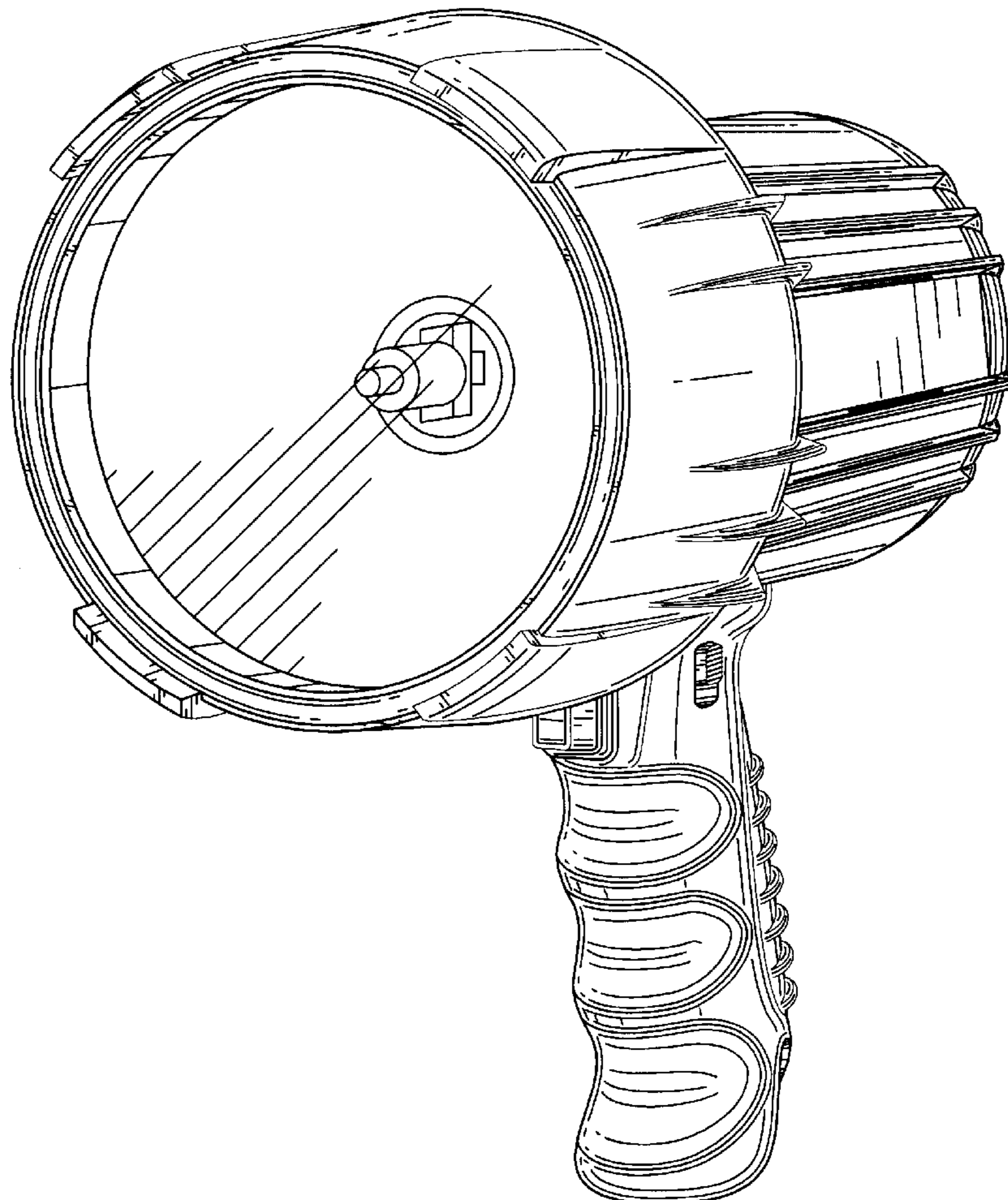
FIG. 1 is a right-front perspective view of the handheld spotlight with gun grip handle showing our new design; FIG. 2 is a front view of the design shown in FIG. 1; FIG. 3 is a back view of the design shown in FIG. 1; FIG. 4 is a right side view of the design shown in FIG. 1; FIG. 5 is a left side view of the design shown in FIG. 1; FIG. 6 is a top view of the design shown in FIG. 1; and, FIG. 7 is a bottom view of the design shown in FIG. 1.

(56) **References Cited**

U.S. PATENT DOCUMENTS

D431,662 S * 10/2000 Krieger D26/45
D434,513 S * 11/2000 Poon D26/45

1 Claim, 7 Drawing Sheets



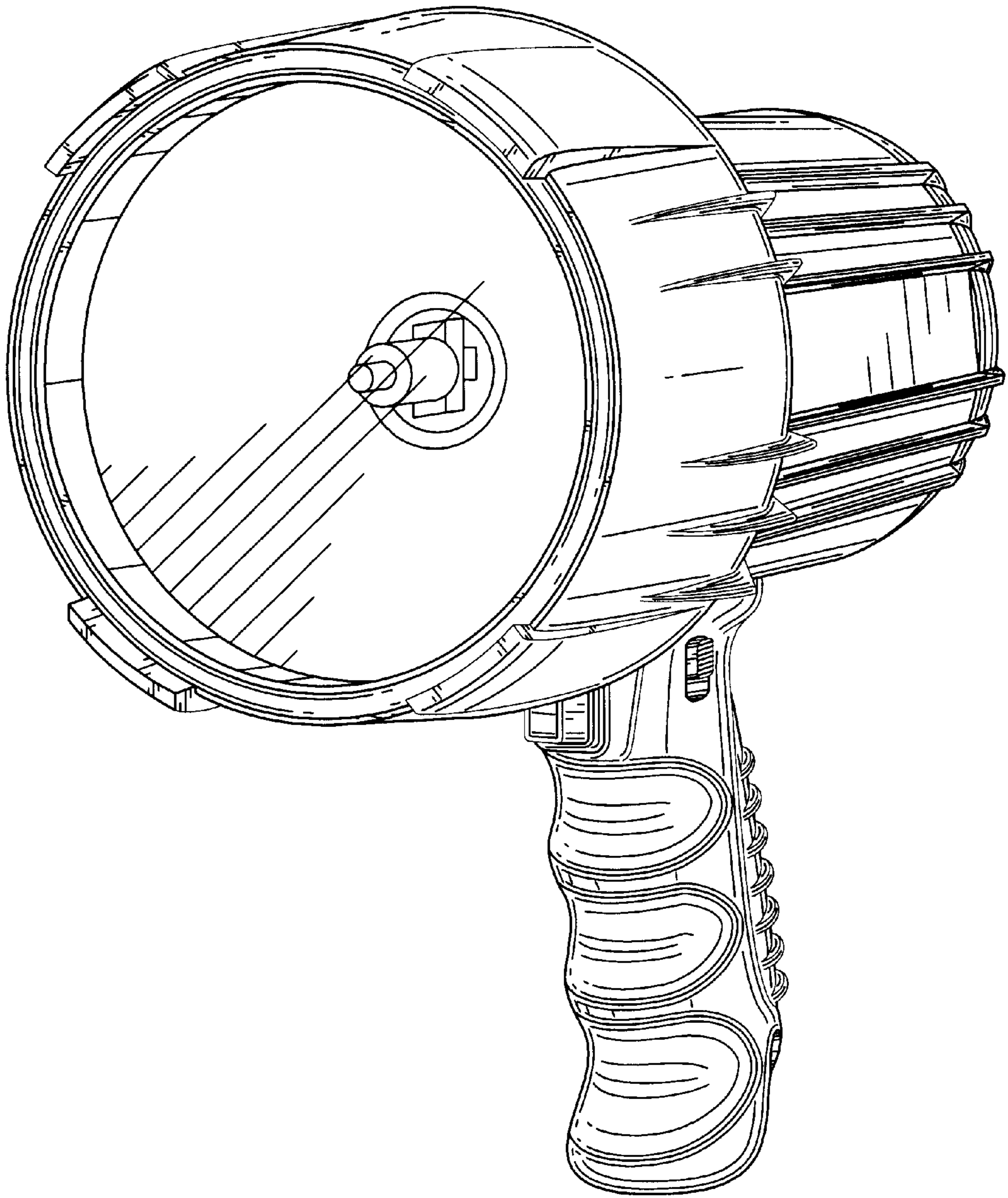


FIG. 1

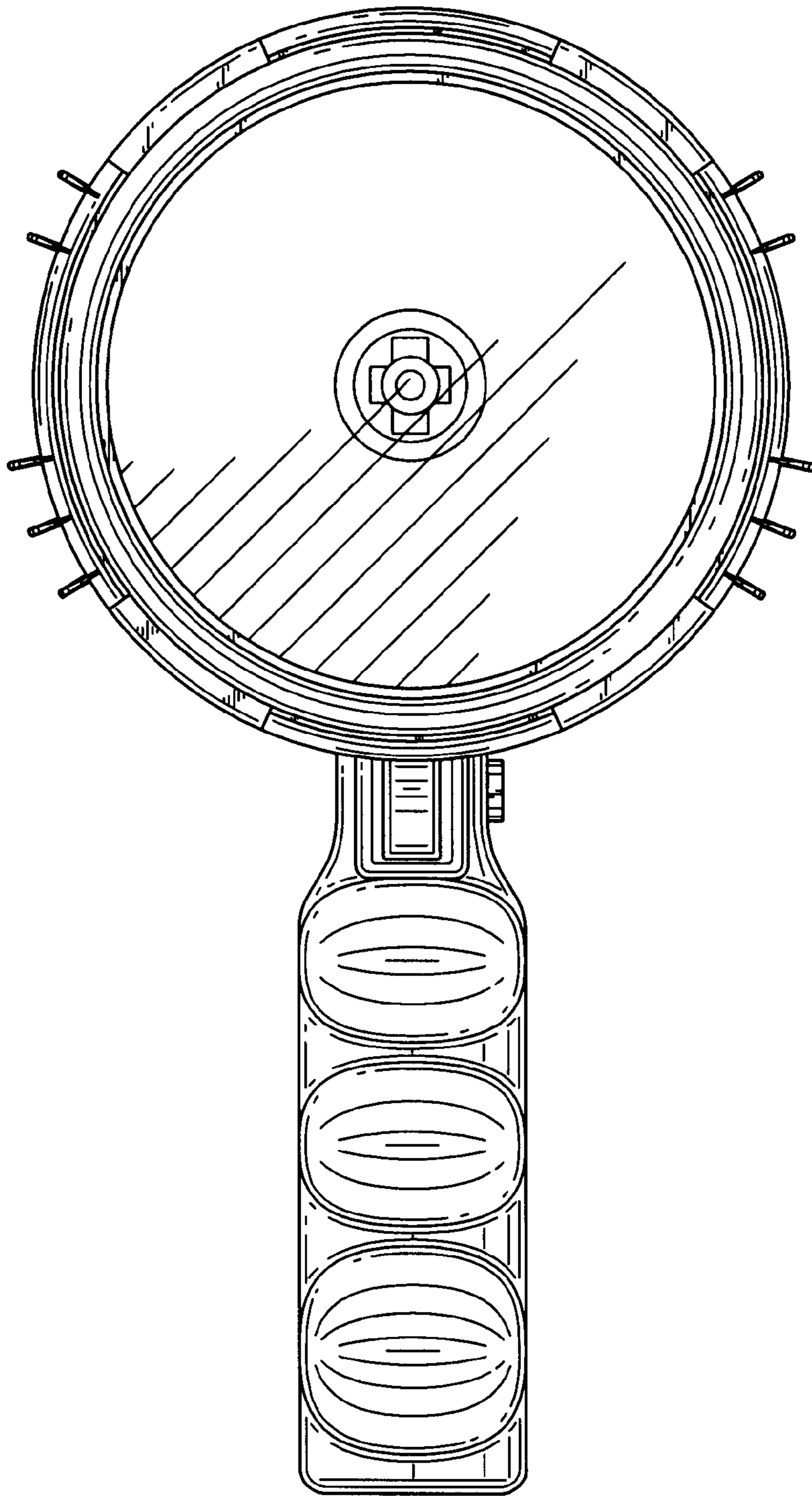


FIG. 2

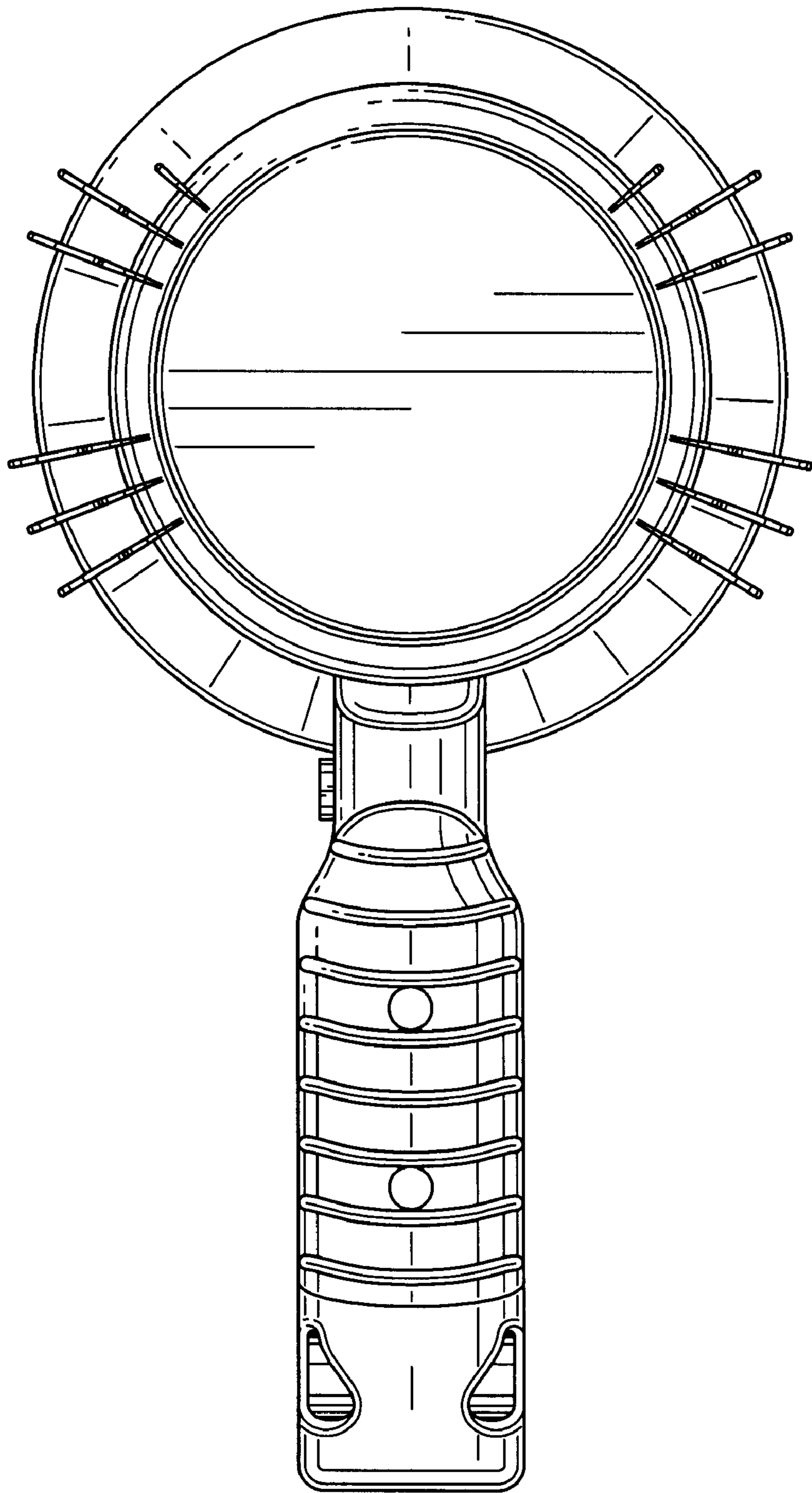


FIG. 3

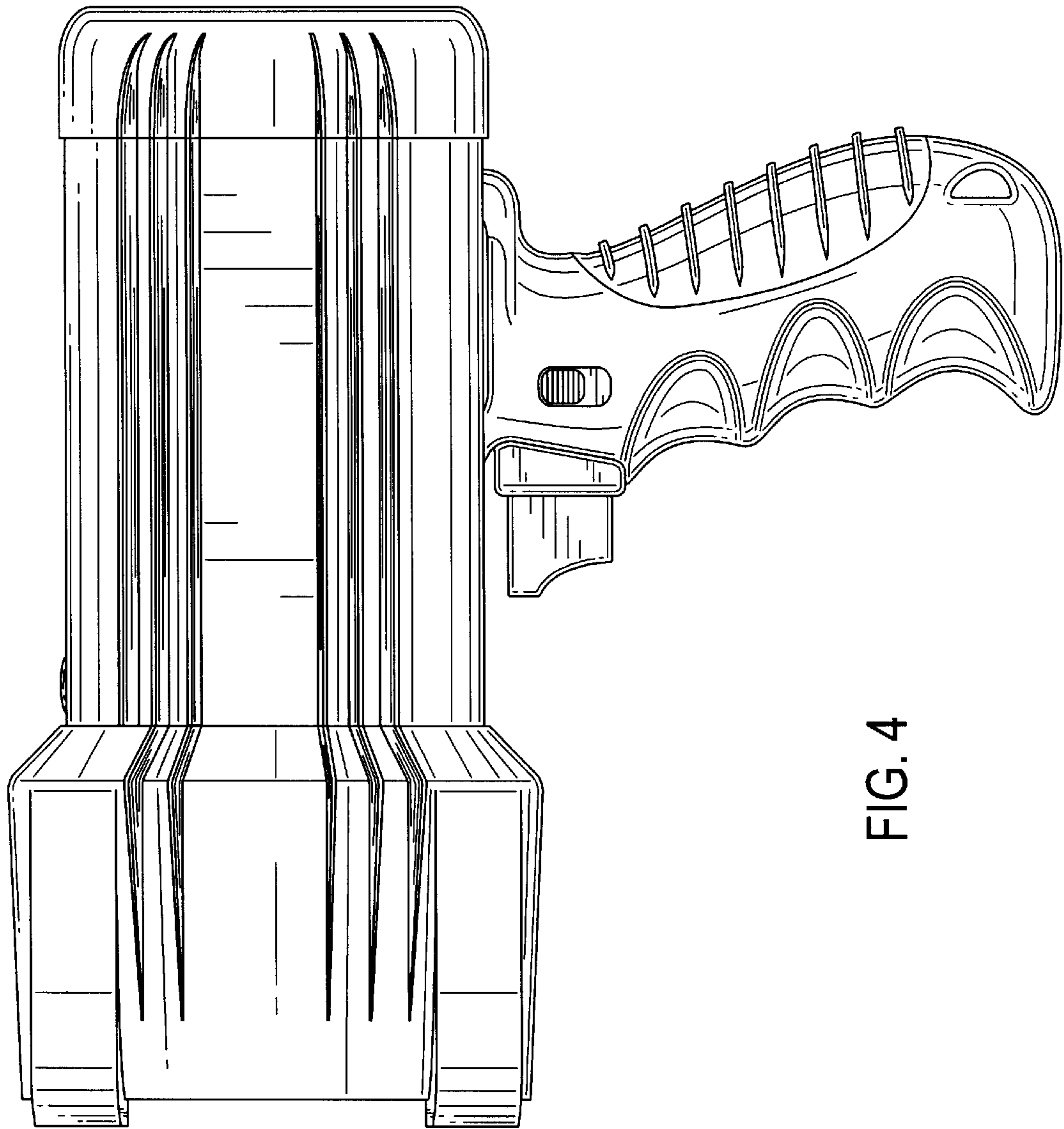


FIG. 4

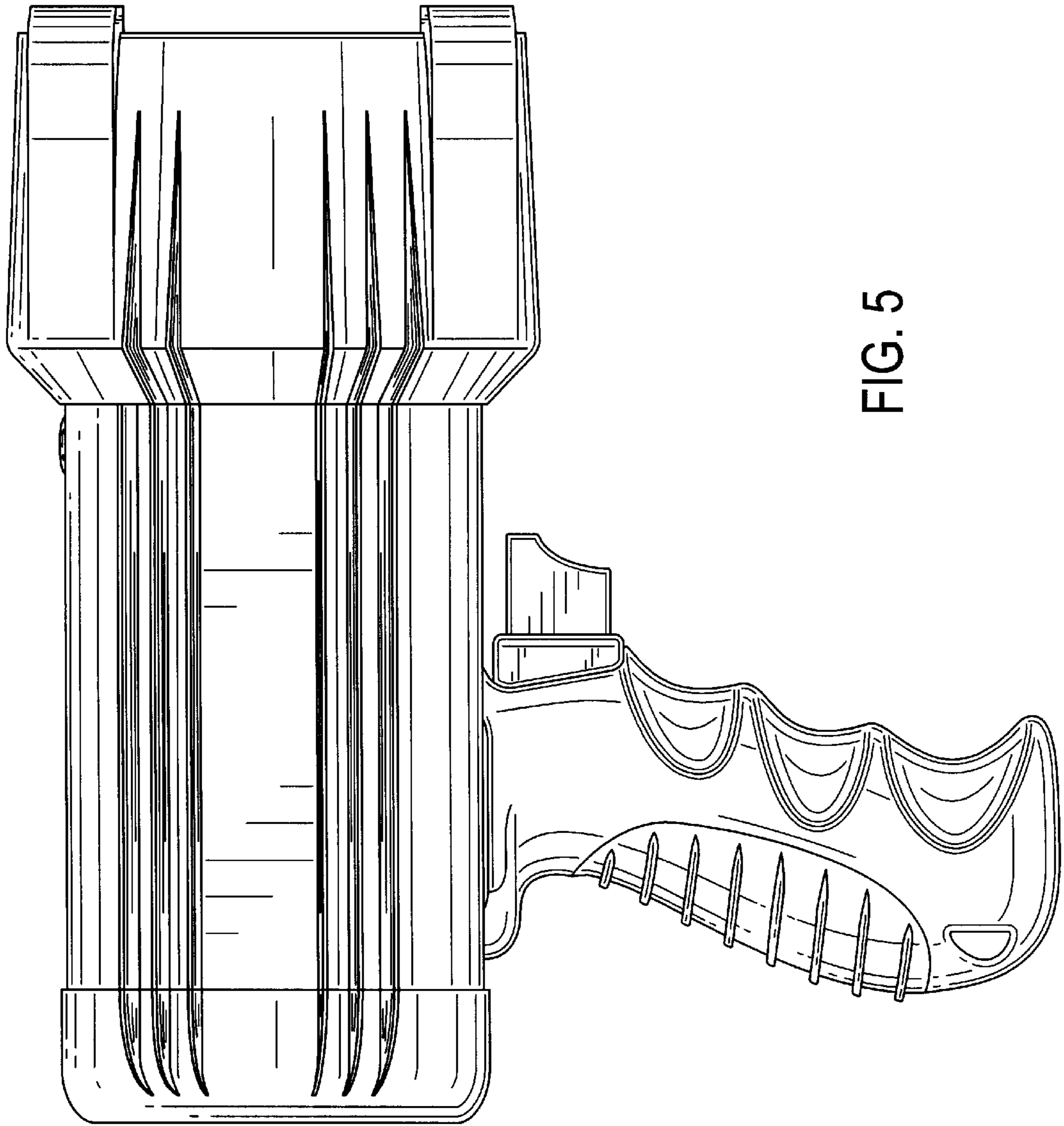


FIG. 5

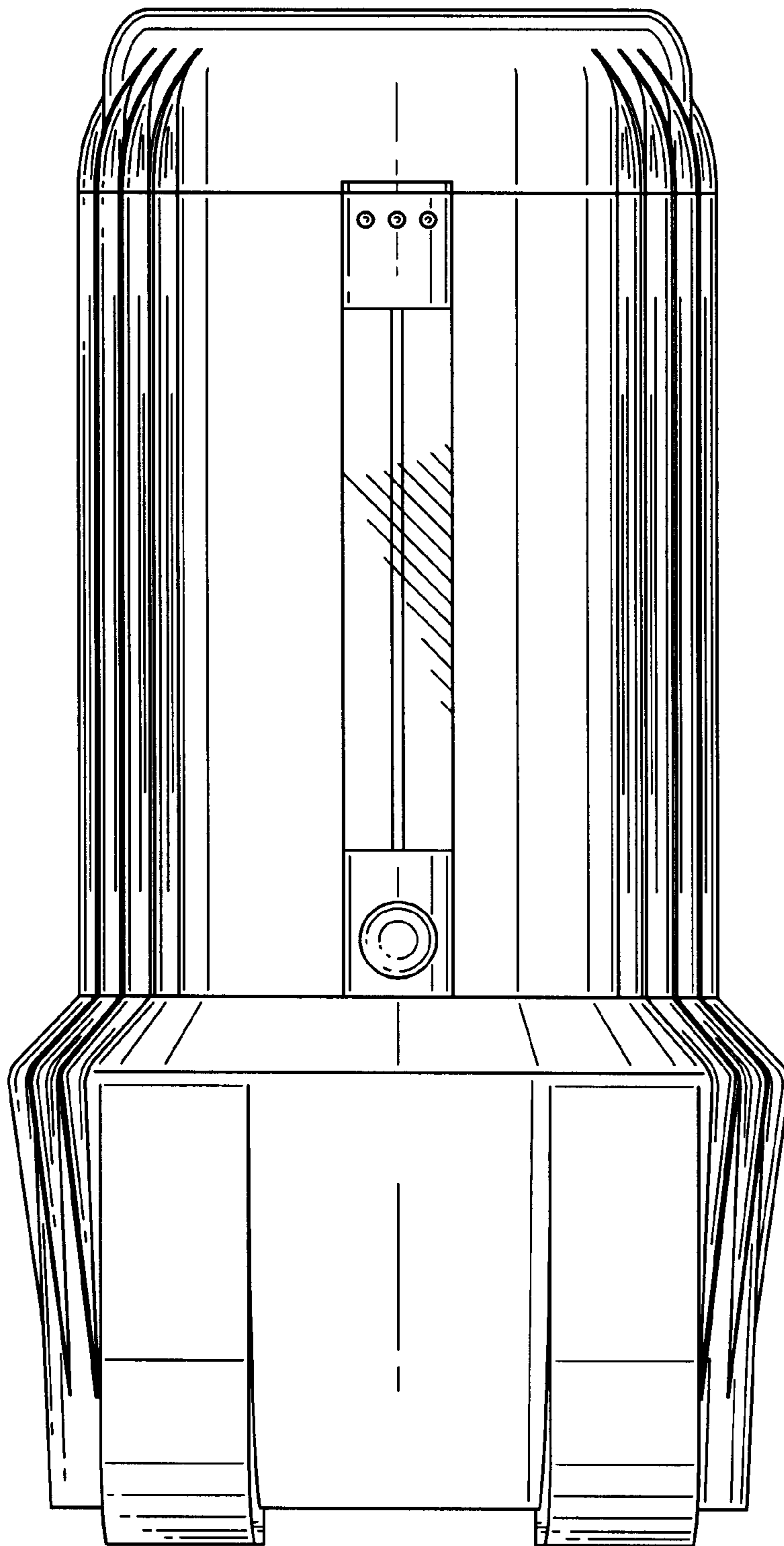


FIG. 6

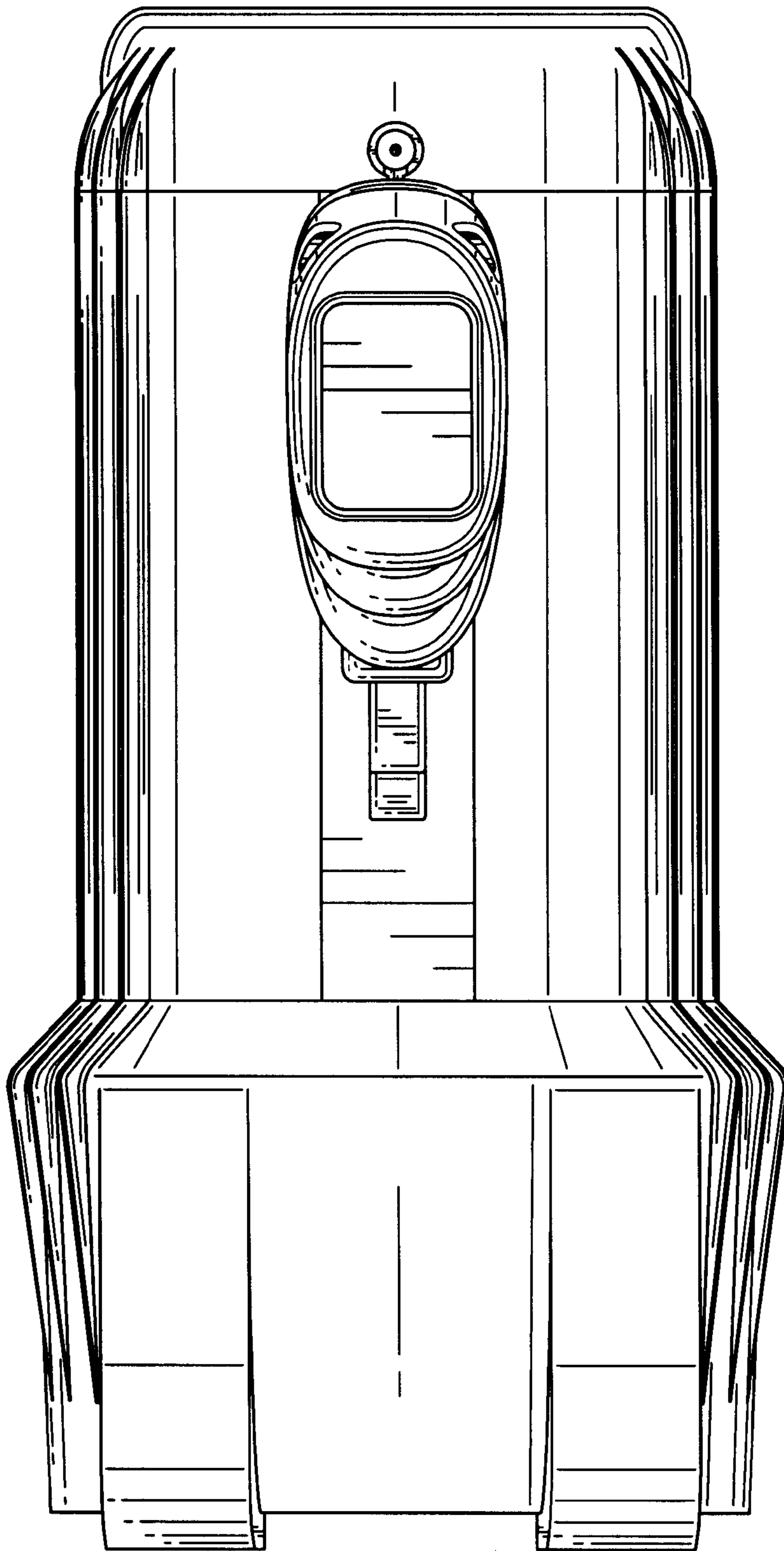


FIG. 7