



US00D477679S

(12) **United States Design Patent**
Yuen

(10) **Patent No.:** **US D477,679 S**

(45) **Date of Patent:** **** Jul. 22, 2003**

(54) **MICRO COLD CATHODE FLUORESCENT LAMP, LED SPOTLIGHT AND PERSONAL SECURITY ALARM**

D441,110 S * 4/2001 Lam D26/38
D445,207 S 7/2001 Yuen
D448,685 S 10/2001 Gardiner et al.

(75) Inventor: **Se Kit Yuen, Kwun Tong (HK)**

* cited by examiner

(73) Assignee: **John Manufacturing Ltd., Kowloon (HK)**

Primary Examiner—Marcus A. Jackson

(74) *Attorney, Agent, or Firm*—Merchant & Gould P.C.

(**) Term: **14 Years**

(57) **CLAIM**

(21) Appl. No.: **29/167,988**

The ornamental design for micro cold cathode fluorescent lamp, led spotlight & personal security alarm, as shown and described.

(22) Filed: **Sep. 24, 2002**

DESCRIPTION

(51) **LOC (7) Cl.** **26-02**

(52) **U.S. Cl.** **D26/38**

(58) **Field of Search** D26/37-50; 362/157, 362/158, 171, 172, 173, 183-208

FIG. 1 is a front elevational view one embodiment of a micro cold cathode fluorescent lamp, led spotlight & personal security alarm in accordance with my invention thereof, with the cord broken away to indicate indeterminate length; FIG. 2 is a rear elevational view thereof; FIG. 3 is a top elevational view thereof; FIG. 4 is a bottom elevational view thereof; FIG. 5 is a left side elevational view thereof; and, FIG. 6 is a right elevational view of a micro cold cathode fluorescent lamp, led spotlight & personal security alarm.

(56) **References Cited**

U.S. PATENT DOCUMENTS

D322,682 S	12/1991	Yuen	
D348,941 S	7/1994	Yuen	
D418,769 S	1/2000	Yuen	
D428,172 S	* 7/2000	Yuen D26/38
D438,995 S	* 3/2001	Yuen D26/38

1 Claim, 2 Drawing Sheets

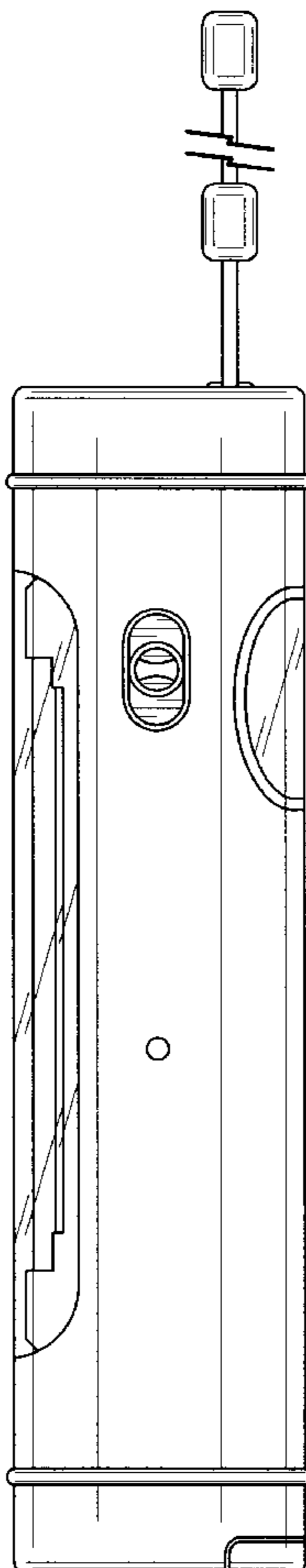


FIG. 1

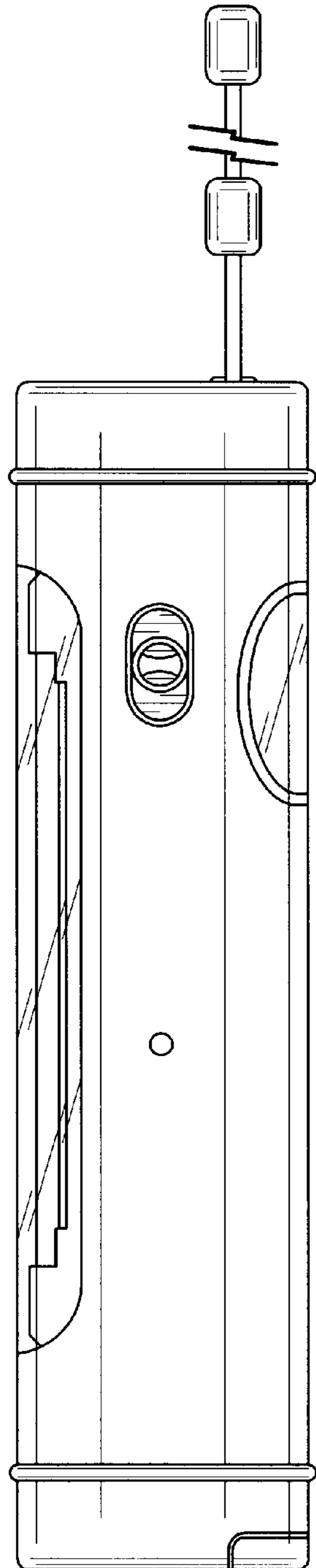


FIG. 2

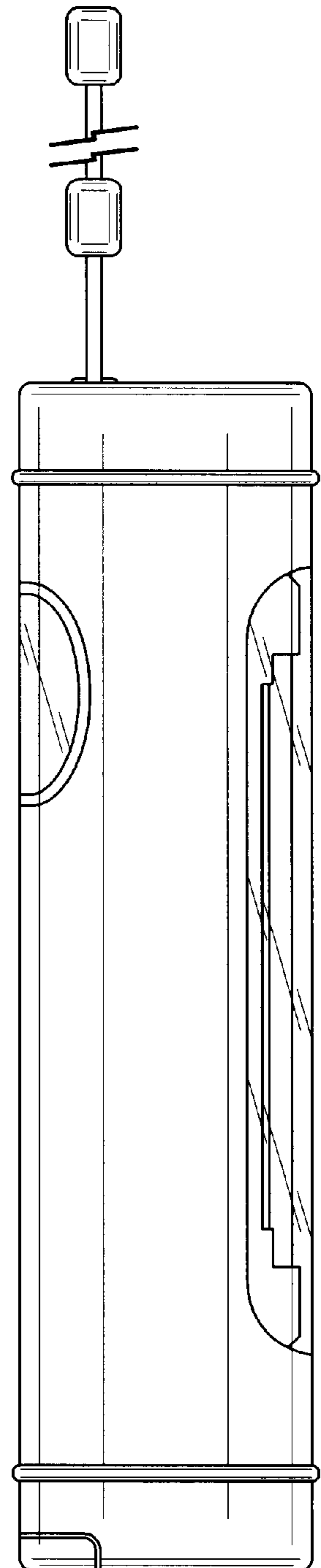


FIG.3

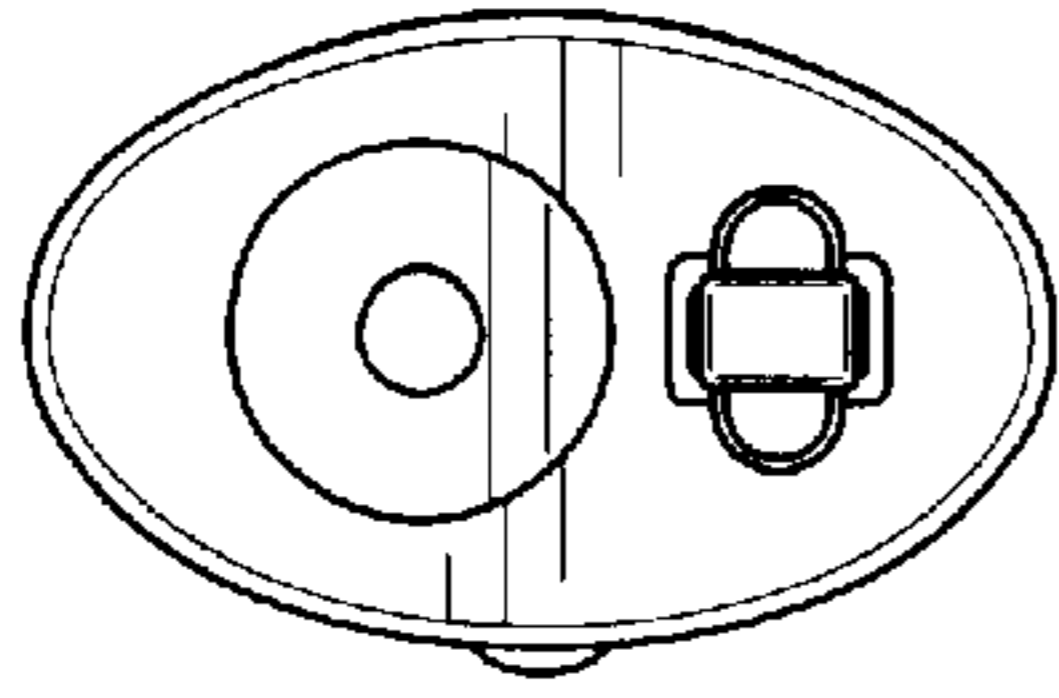


FIG.4

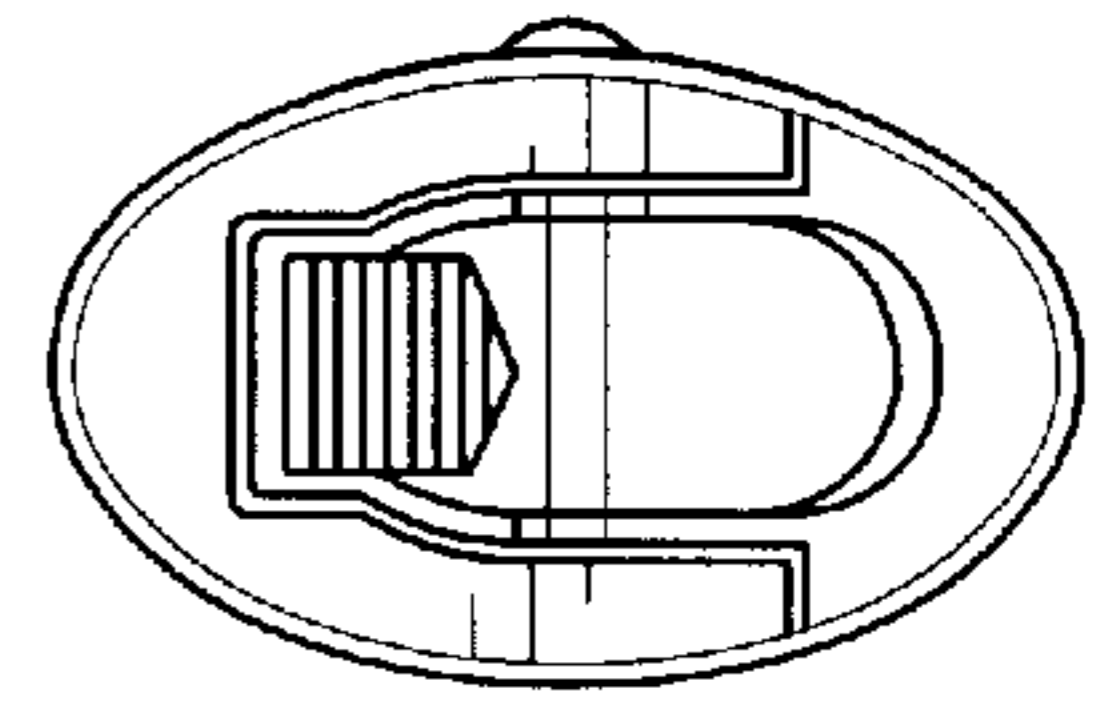


FIG.5

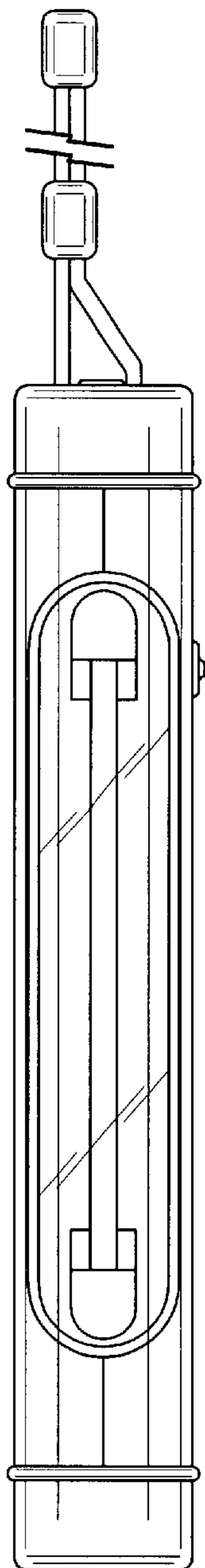


FIG.6

