



US00D477672S

(12) **United States Design Patent**
Opeka

(10) **Patent No.:** **US D477,672 S**

(45) **Date of Patent:** **** Jul. 22, 2003**

(54) **LADDER LEVELER**

(76) **Inventor:** **James F. Opeka**, 293 Fern Hill Dr.,
Granville, OH (US) 43023

(**) **Term:** **14 Years**

(21) **Appl. No.:** **29/168,094**

(22) **Filed:** **Sep. 26, 2002**

(51) **LOC (7) Cl.** **25-04**

(52) **U.S. Cl.** **D25/68**

(58) **Field of Search** D25/68, 62; 248/210,
248/238; 182/107, 108, 109

(56) **References Cited**

U.S. PATENT DOCUMENTS

D341,664 S * 11/1993 Newkirk D25/68
D412,210 S 7/1999 Opeka

* cited by examiner

Primary Examiner—Doris Clark

(74) *Attorney, Agent, or Firm*—Jason H. Foster; Kremblas,
Foster, Phillips & Pollick

(57) **CLAIM**

The ornamental design for a ladder leveler, as shown and
described.

DESCRIPTION

FIG. 1 is a front perspective view illustrating my new
design.

FIG. 2 is a front view thereof.

FIG. 3 is a rear view thereof.

FIG. 4 is a top view thereof.

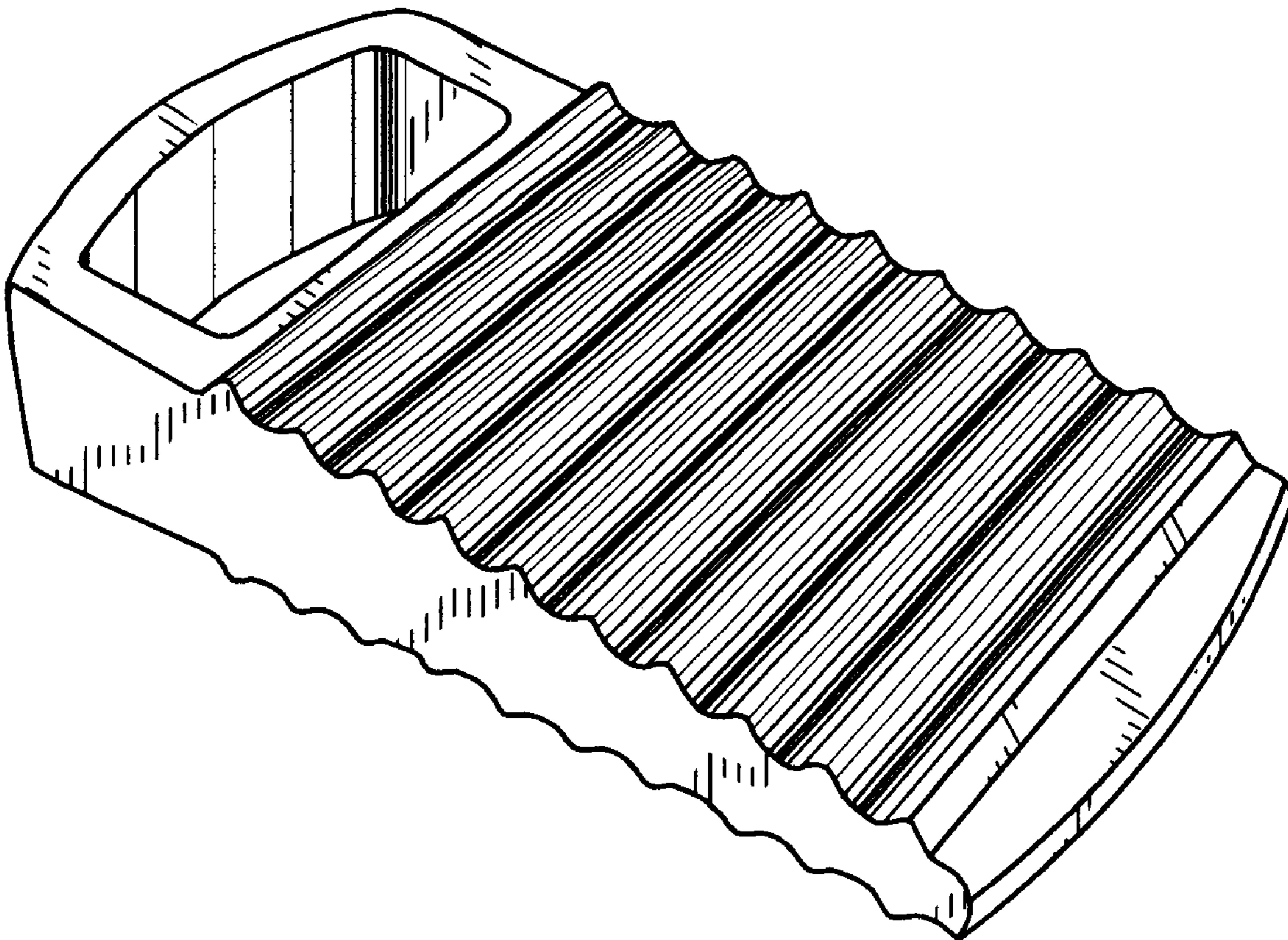
FIG. 5 is a left side view thereof.

FIG. 6 is a right side view thereof.

FIG. 7 is a bottom view thereof; and,

FIG. 8 is a bottom perspective view thereof.

1 Claim, 1 Drawing Sheet



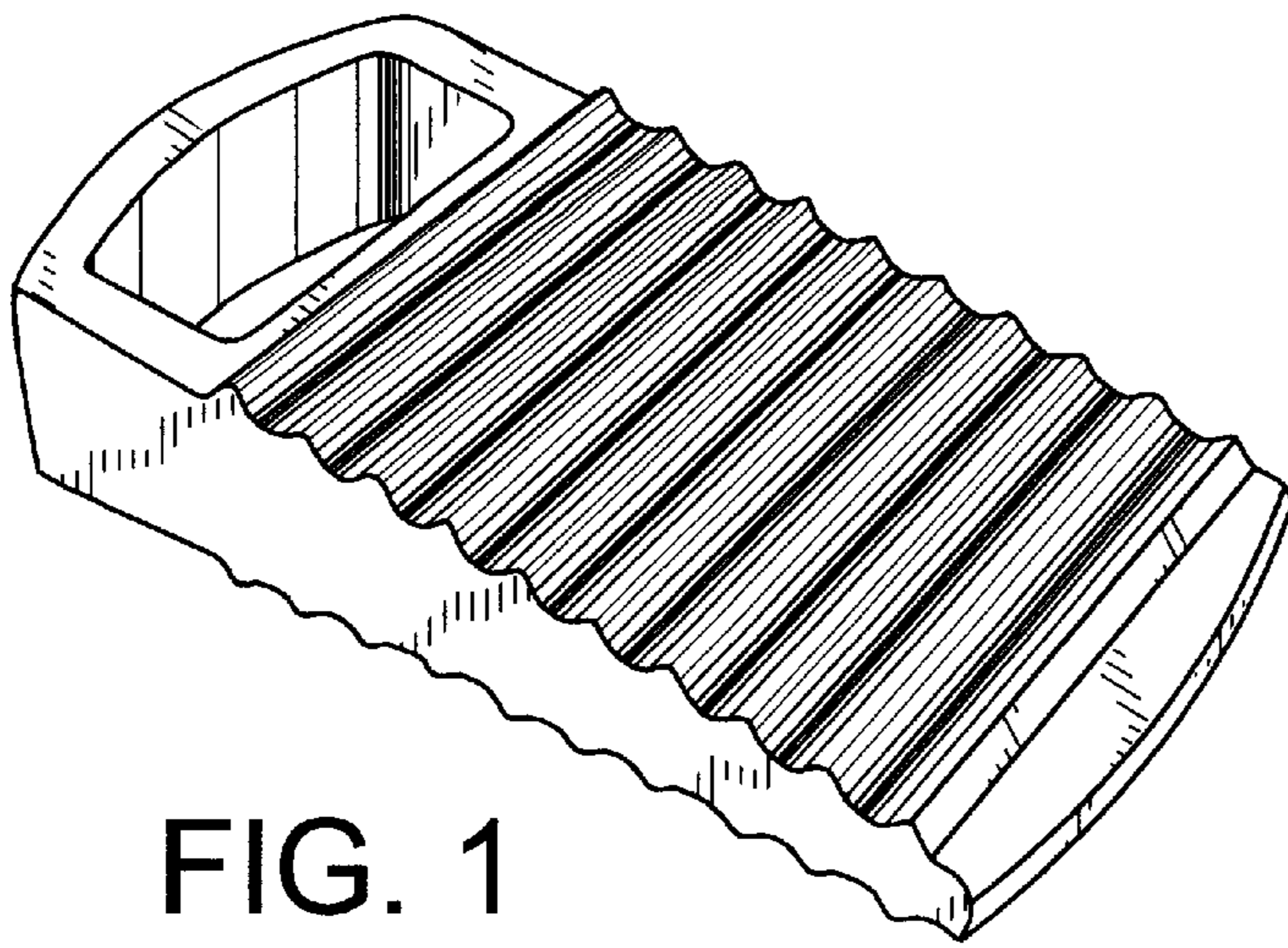


FIG. 1

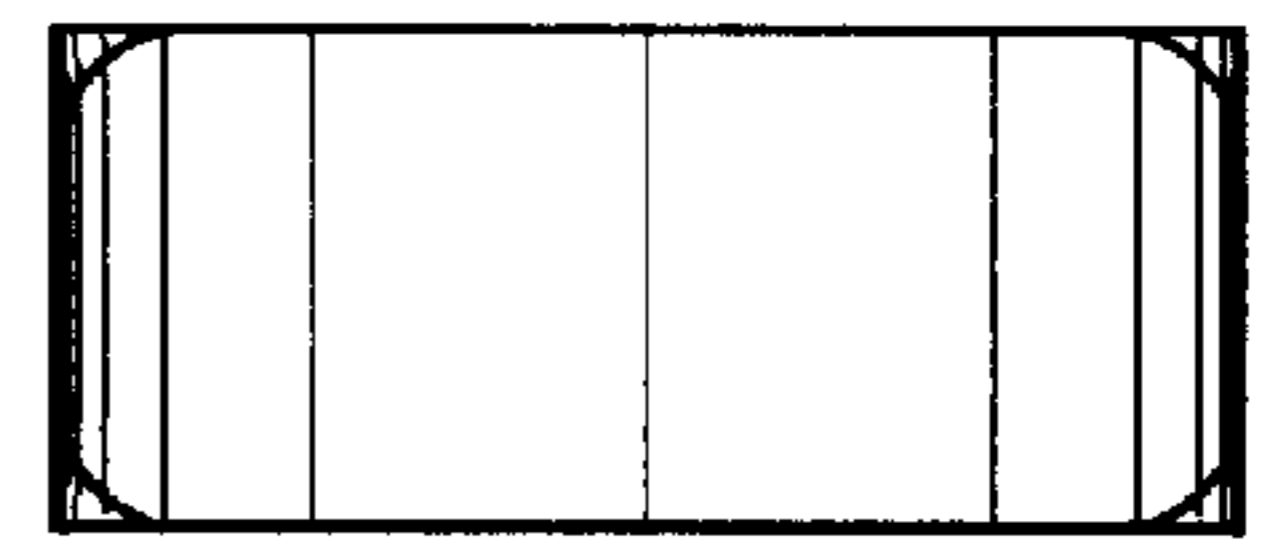


FIG. 2

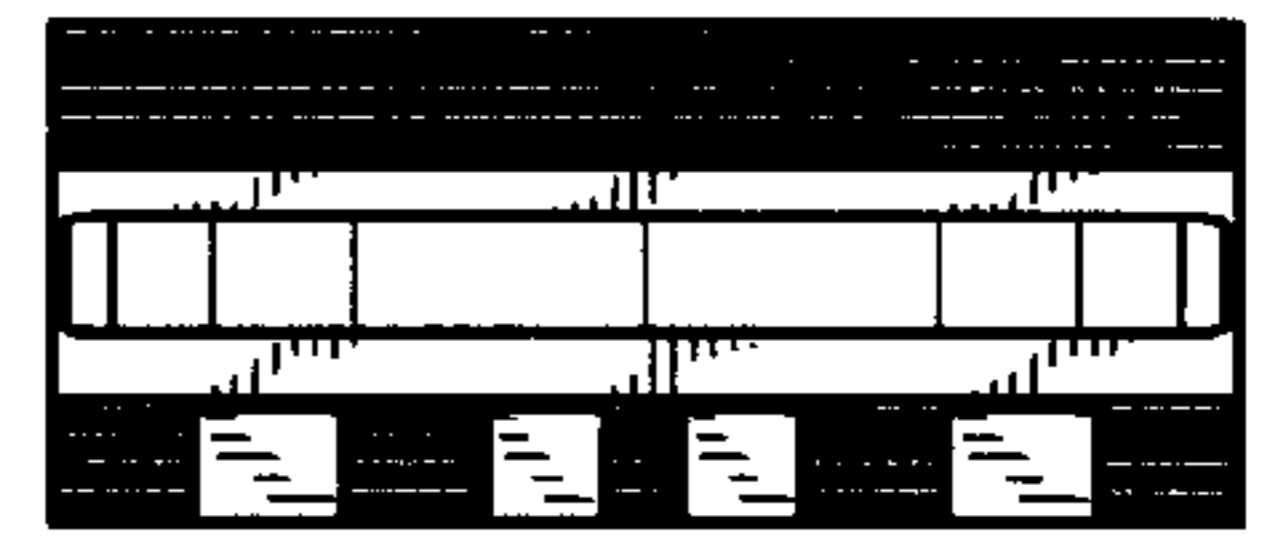


FIG. 3

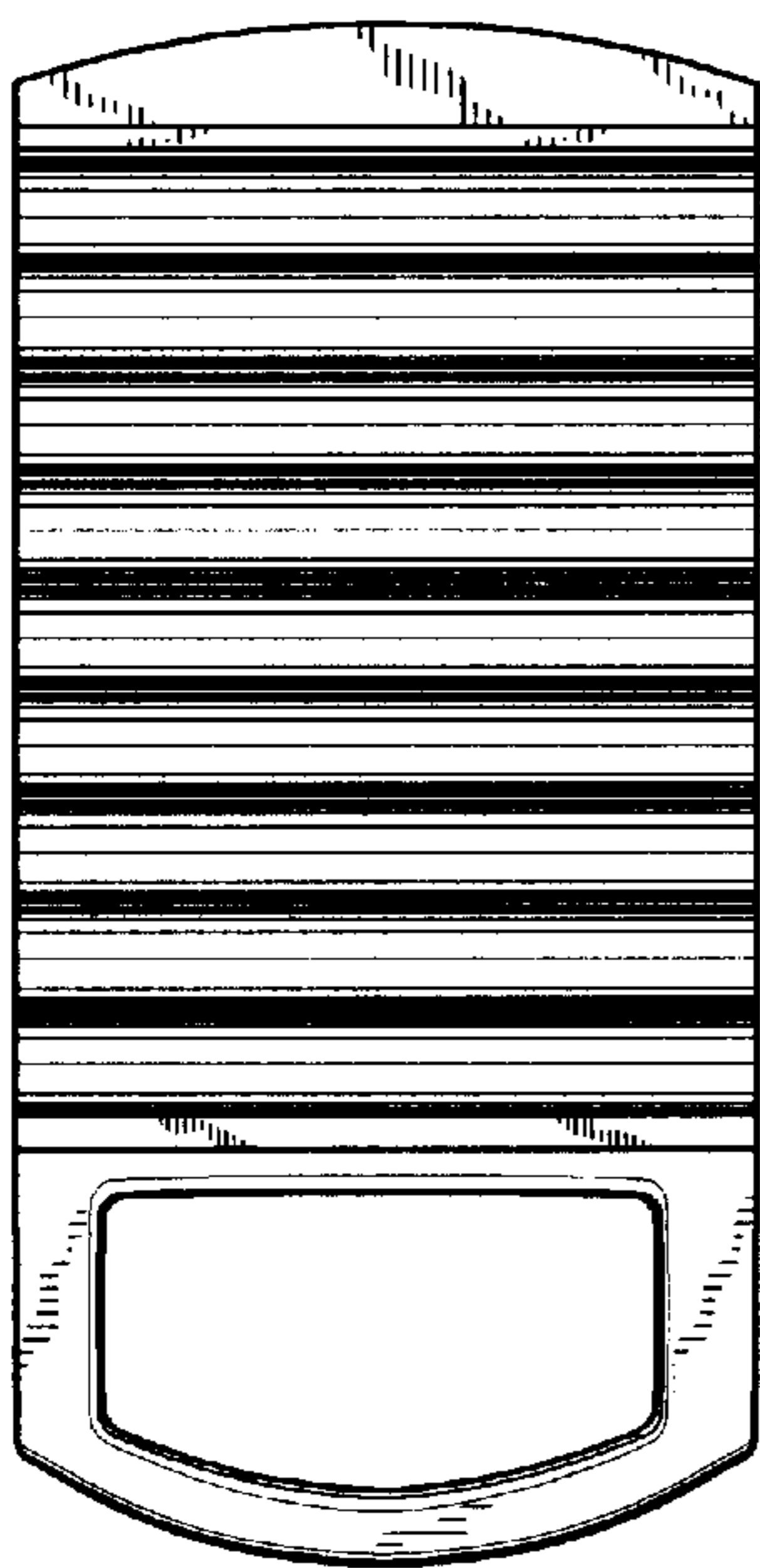


FIG. 4

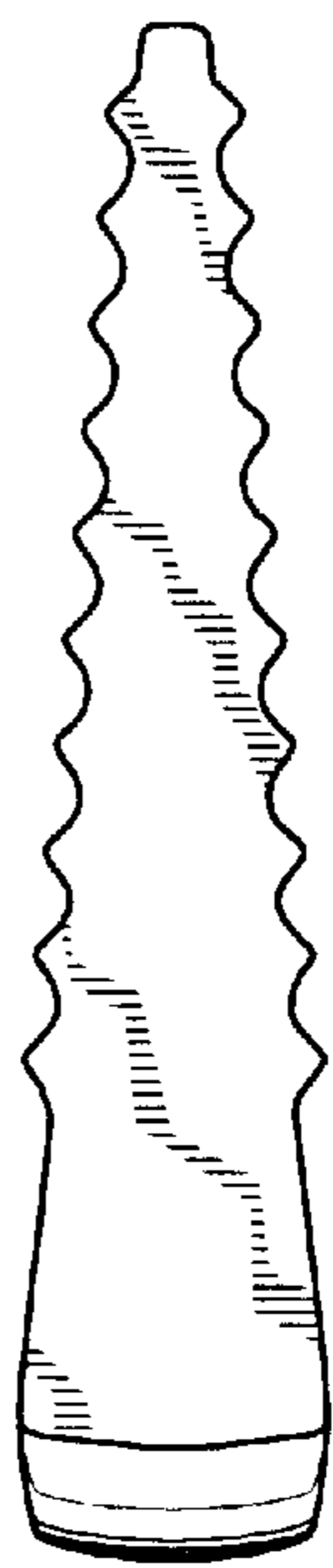


FIG. 5

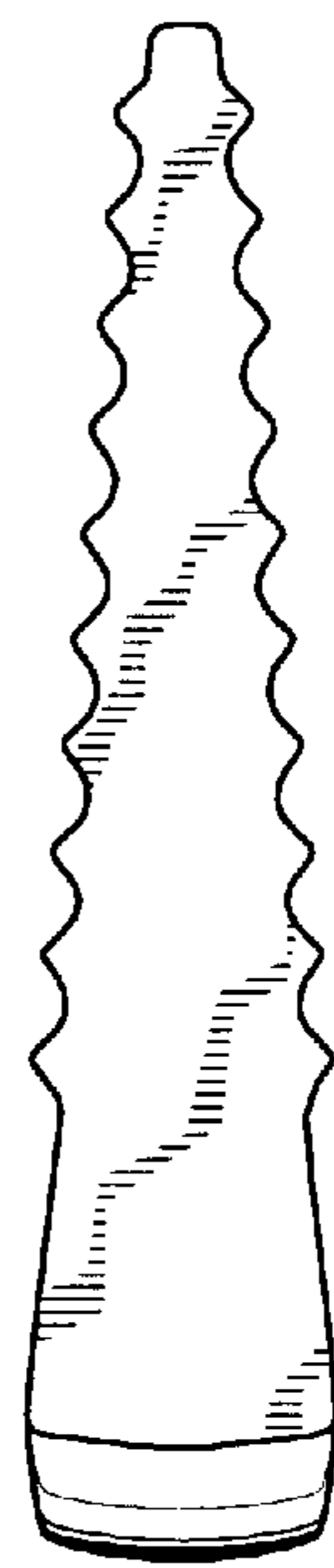


FIG. 6

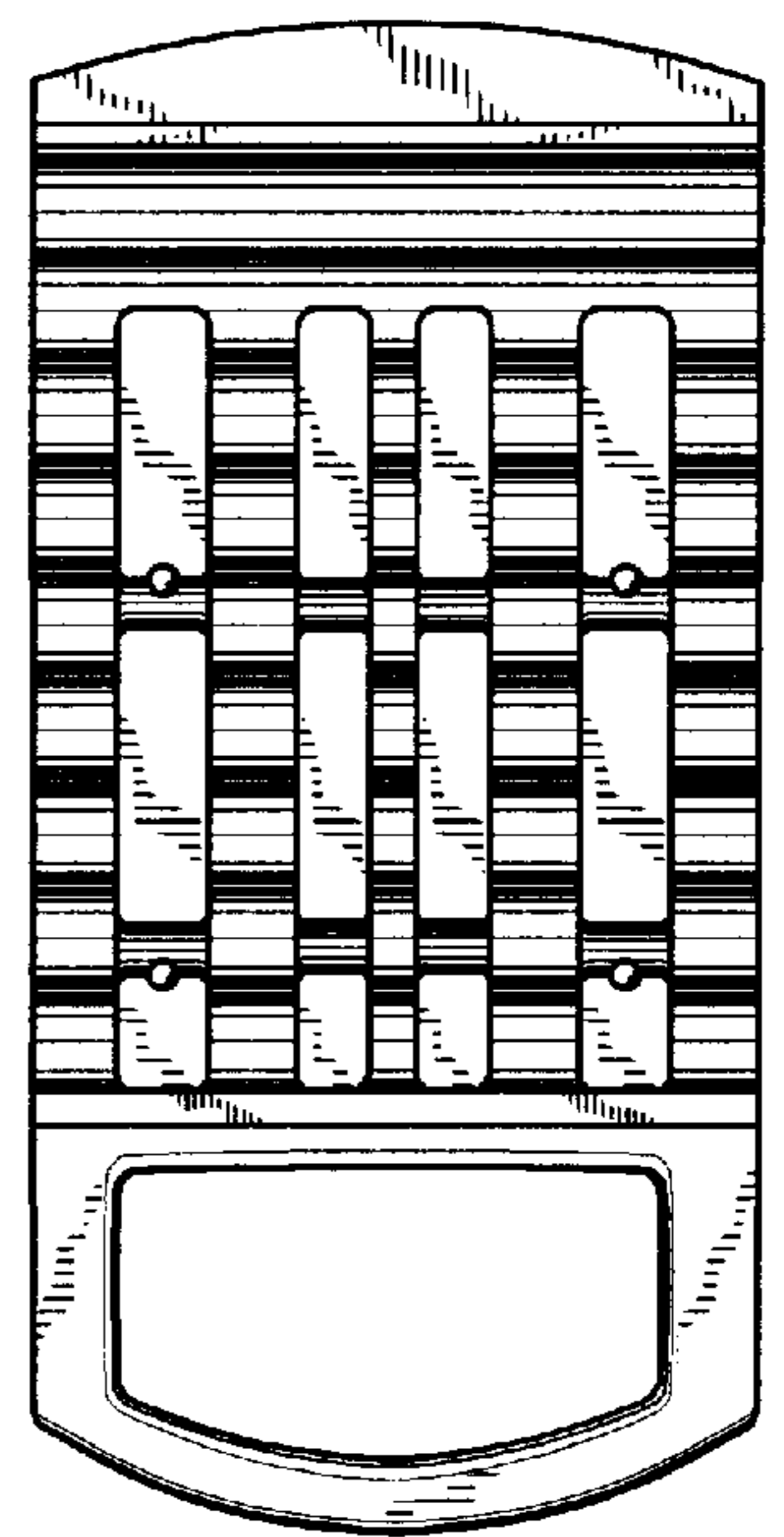


FIG. 7

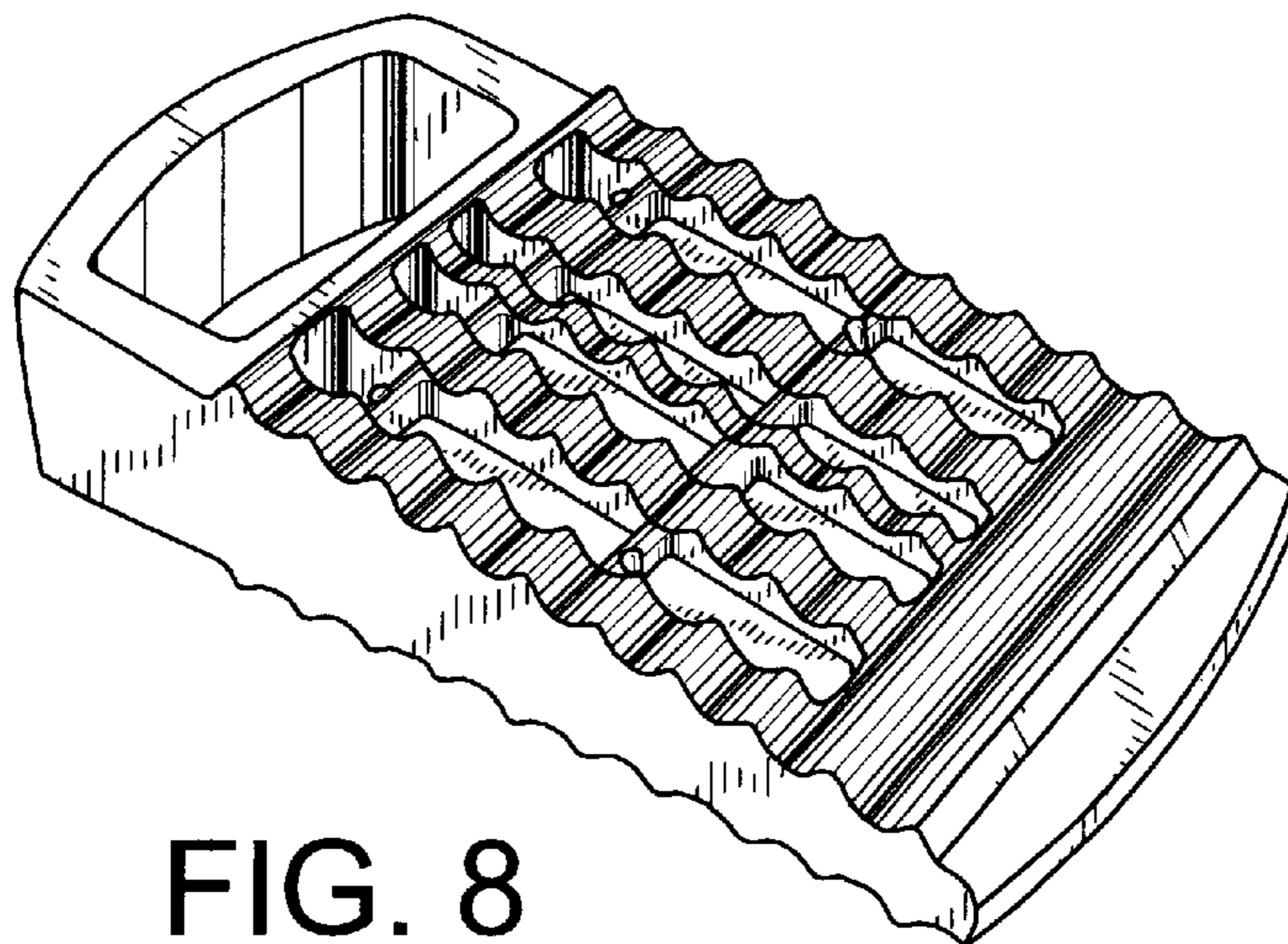


FIG. 8