



US00D477669S

(12) **United States Design Patent**
Zhou et al.

(10) **Patent No.:** **US D477,669 S**

(45) **Date of Patent:** **** Jul. 22, 2003**

(54) **SPECIMEN COLLECTION TUBE**

(75) Inventors: **David F. Zhou**, San Diego, CA (US);
Naishu Wang, San Diego, CA (US);
Claudia J. R. Shen, San Diego, CA
(US); **Angela J. Q. Shen**, San Diego,
CA (US)

(73) Assignee: **Alfa Scientific Design, Inc.**, Poway, CA
(US)

(**) Term: **14 Years**

(21) Appl. No.: **29/164,582**

(22) Filed: **Aug. 20, 2002**

(51) **LOC (7) Cl.** **24-02**

(52) **U.S. Cl.** **D24/224; D24/216**

(58) **Field of Search** D24/224, 216,
D24/121, 108; 422/58, 102, 101, 99, 916,
913, 914; 435/288.1, 304.1

(56) **References Cited**

U.S. PATENT DOCUMENTS

D212,077 S * 8/1968 Baumann et al. D24/224

D246,800 S * 12/1977 Wong D24/224

4,678,559 A * 7/1987 Szabados 422/101

5,431,884 A * 7/1995 McDonough et al. 422/102

5,624,554 A * 4/1997 Faulkner et al. 422/102

D425,625 S * 5/2000 Niermann D24/224

* cited by examiner

Primary Examiner—Ian Simmons

(74) *Attorney, Agent, or Firm*—Henri J. A. Charmasson;
John D. Buchaca

(57) **CLAIM**

The ornamental design for a specimen collection tube, as
shown and described.

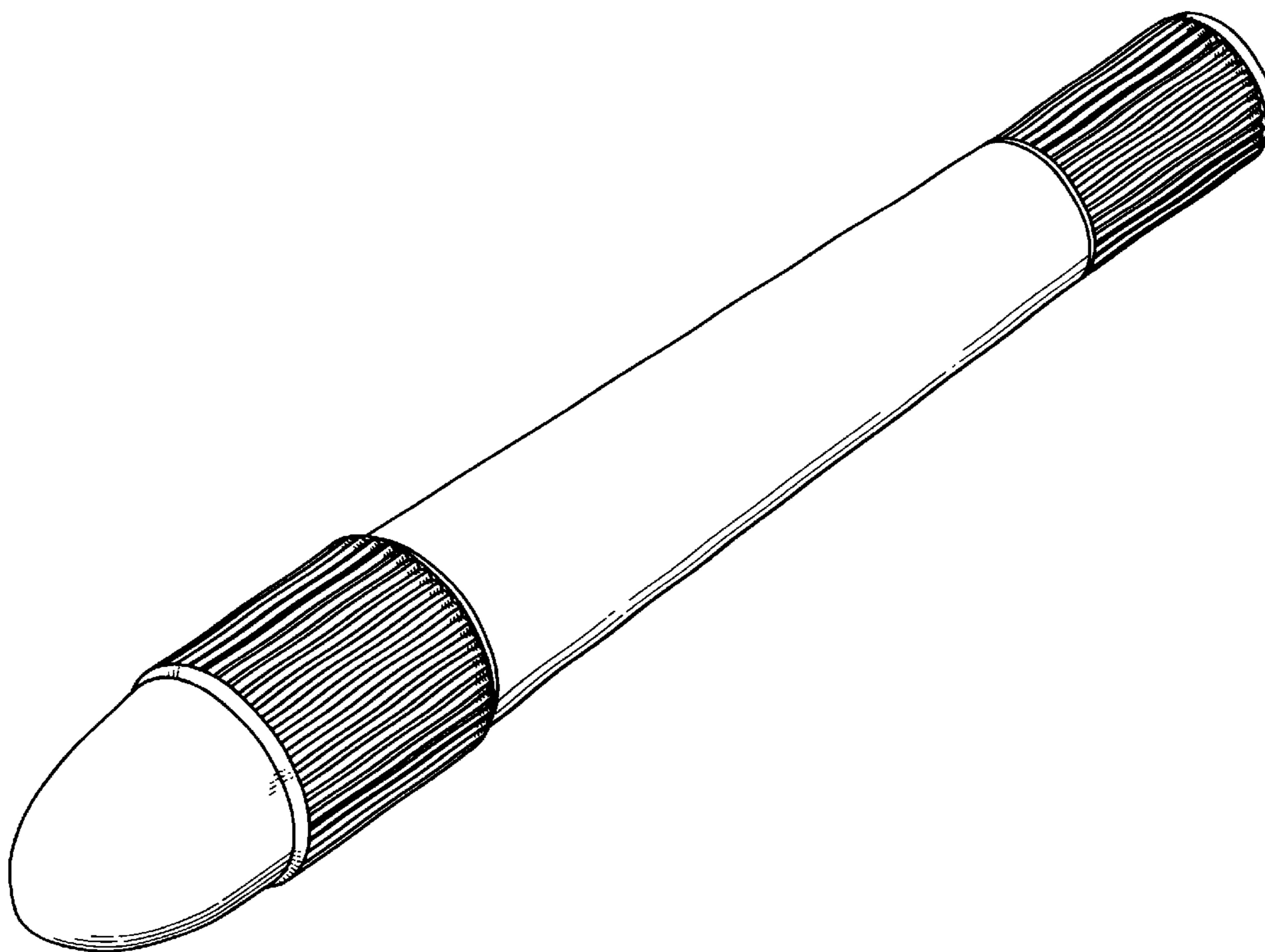
DESCRIPTION

FIG. 1 is a top, left side and front perspective view of a
specimen collection tube showing our design;

FIG. 2 is a back elevational view thereof; and,

FIG. 3 is a right side elevational view thereof, the left side
being a mirror image.

1 Claim, 1 Drawing Sheet



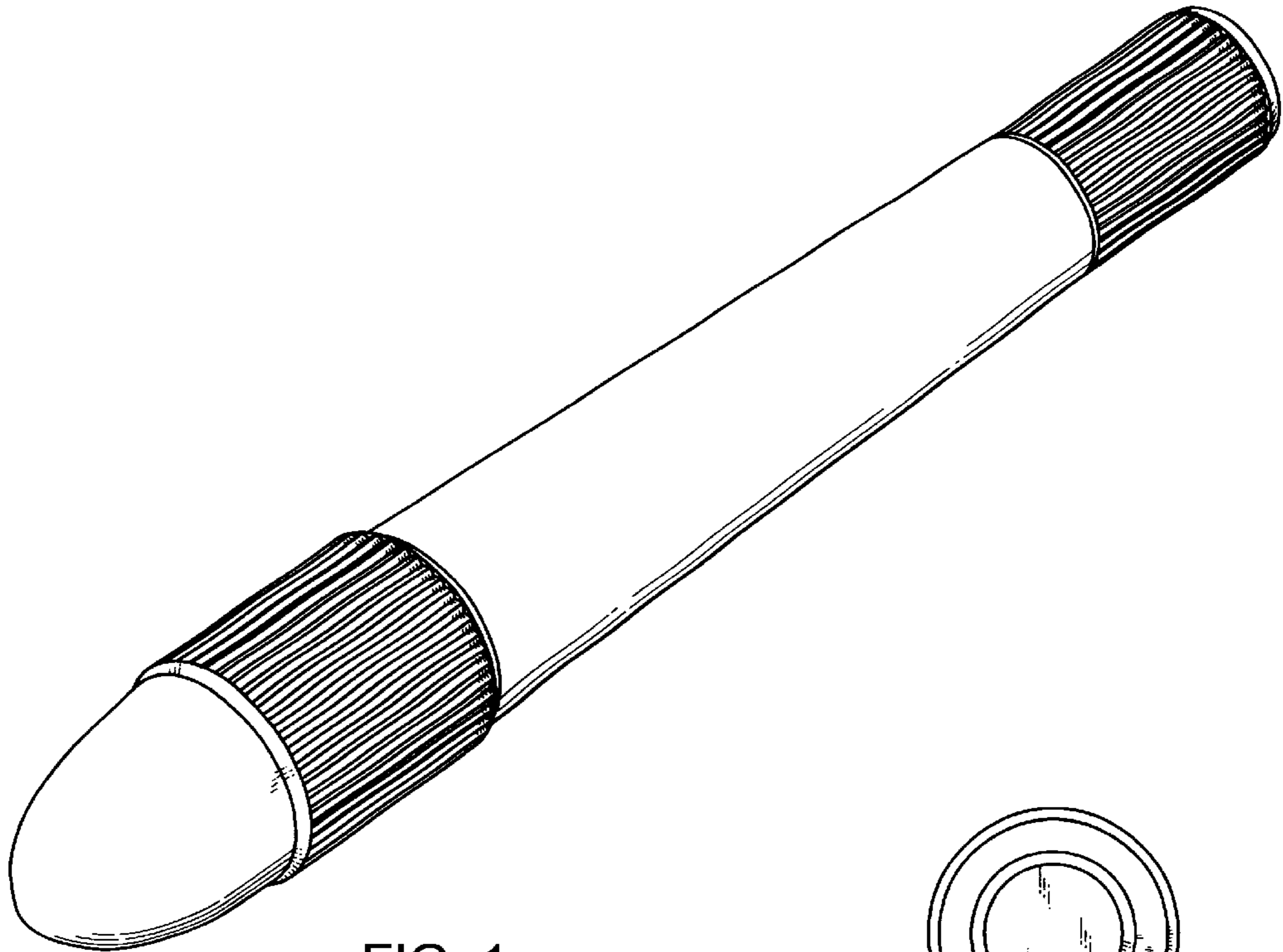


FIG. 1

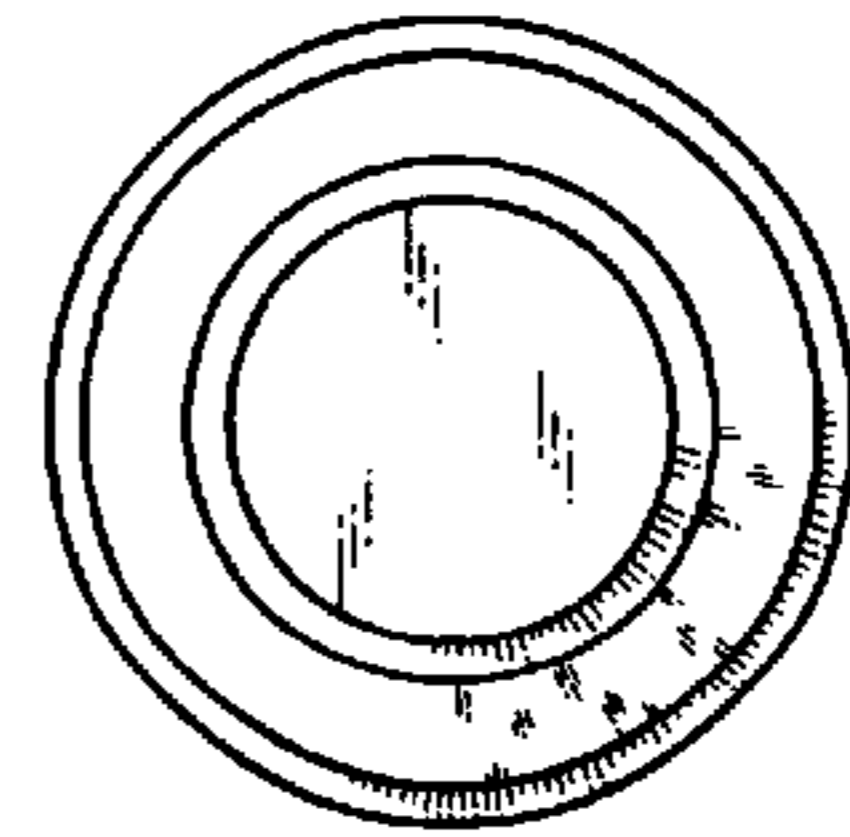


FIG. 2

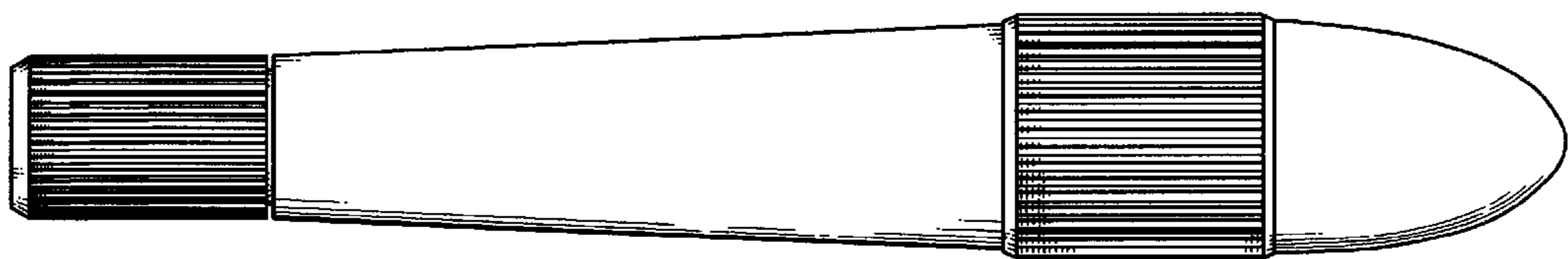


FIG. 3