



US00D477668S

(12) **United States Design Patent**
Kipperman et al.

(10) **Patent No.:** **US D477,668 S**

(45) **Date of Patent:** **** Jul. 22, 2003**

- (54) **BABY BOTTLE**
- (75) Inventors: **Stuart R. Kipperman**, Evansville, IN (US); **David Schweitzer**, Weston, CT (US); **Catherine O. Smay**, Newburgh, IN (US)
- (73) Assignee: **Bristol-Myers Squibb Company**, Princeton, NJ (US)
- (**) Term: **14 Years**
- (21) Appl. No.: **29/171,451**
- (22) Filed: **Nov. 22, 2002**

Related U.S. Application Data

- (63) Continuation of application No. 29/162,124, filed on Jun. 10, 2002.
- (51) **LOC (7) Cl.** **07-01**
- (52) **U.S. Cl.** **D24/197**
- (58) **Field of Search** D24/197; 215/11.1, 215/11.2, 11.3, 11.4, 11.5, 11.6

(56) **References Cited**

U.S. PATENT DOCUMENTS

D99,270 S	4/1936	Dache-Despres	
D105,669 S	8/1937	Mills	
D189,373 S	11/1960	Lerner	
D198,870 S	8/1964	Hedgcock	D58/8
3,162,318 A	12/1964	Woodbury, Jr.	215/11
D202,003 S	8/1965	Douglas	D58/17
3,243,069 A	3/1966	Duerme	215/11
D209,715 S	12/1967	Ninesling et al.	D58/8
D218,148 S	7/1970	Noyes et al.	D9/118
3,645,262 A	2/1972	Harrigan	604/77
D223,438 S	4/1972	Lluch	D9/169
D225,212 S	11/1972	Mandiargues	D9/169
D230,256 S	2/1974	Ckola	D9/102
4,010,861 A	3/1977	Welten	215/11 B
D250,248 S	11/1978	Grip	D9/44
D251,612 S	4/1979	Lagergren et al.	D24/47
D253,395 S	11/1979	Hasegawa et al.	D9/131
D255,653 S	7/1980	Lipsz	D9/158

D255,989 S	7/1980	Lipsz	D9/131
D264,051 S	4/1982	Perales	D9/404
D269,950 S	8/1983	Walker	D9/400
D275,231 S	8/1984	Fuller	D24/47
4,502,607 A	3/1985	Szajna	220/70
D279,650 S	7/1985	Aldrich, III et al.	D9/377
D279,654 S	7/1985	Grip et al.	D9/404
D282,050 S	1/1986	Beaver et al.	
4,703,863 A	11/1987	Kohus	215/11.1
D298,354 S	11/1988	Viator	D24/47
D300,118 S	3/1989	Venne et al.	D9/350
D300,511 S	4/1989	Cramer	D9/396
D301,741 S	6/1989	Barber	D24/47
D302,038 S	7/1989	Barber	D24/47
D304,996 S	12/1989	Hollenberg et al.	D9/338
4,923,088 A	5/1990	Tanaka et al.	220/23.87
D308,575 S	6/1990	Mariol	D24/47
D309,948 S	8/1990	Chambers	D24/47
D310,779 S	9/1990	Gloeckler	D9/377

(List continued on next page.)

Primary Examiner—Stella Reid
(74) *Attorney, Agent, or Firm*—Nelson Mullins Riley & Scarborough, LLP

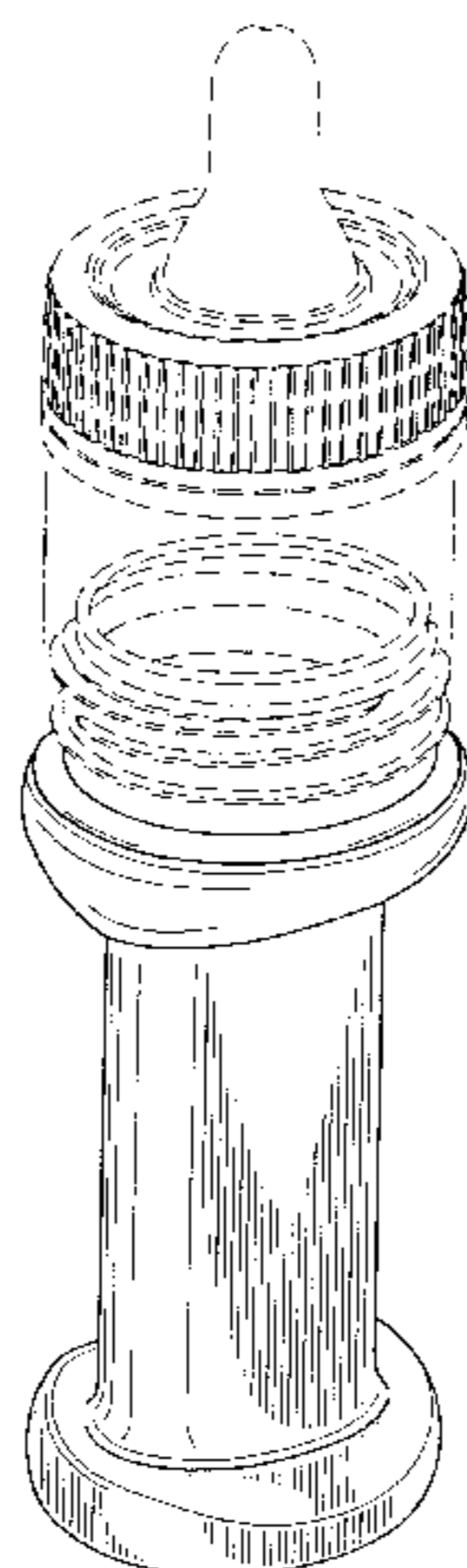
(57) **CLAIM**

The ornamental design for a baby bottle, substantially as shown and described.

DESCRIPTION

FIG. 1 is a perspective view of a baby bottle, showing our new design;
FIG. 2 is a front elevational view thereof;
FIG. 3 is a front elevational view thereof, with the nipple and cap secured on the threaded top;
FIG. 4 is a rear elevational view as shown in FIG. 1;
FIG. 5 is a right side elevational view thereof;
FIG. 6 is a left side elevational view thereof;
FIG. 7 is a top plan view thereof; and,
FIG. 8 is a bottom plan view thereof.
The broken line showing of the threaded top, nipple and cap is being shown for illustrative purposes only and forming no part of the claimed design.

1 Claim, 3 Drawing Sheets



US D477,668 S

Page 2

U.S. PATENT DOCUMENTS

D312,878 S	12/1990	Mariol	D24/47	D368,528 S	4/1996	Allegre	D24/197
D313,075 S	12/1990	Mariol	D24/47	5,588,548 A	* 12/1996	Brankley	215/388
D315,212 S	3/1991	Oknuki	D24/47	D386,413 S	11/1997	Fitten et al.	D9/503
D315,213 S	3/1991	Ohnuki	D24/47	D386,687 S	11/1997	Fitten et al.	D9/504
D315,409 S	3/1991	Baarber	D24/47	D387,988 S	12/1997	Fitten et al.	D9/504
D317,121 S	5/1991	Crawford et al.	D9/367	D389,865 S	1/1998	Venne et al.	D19/48
D317,256 S	6/1991	Samuels	D9/355	5,713,681 A	2/1998	Venne et al.	401/202
D320,455 S	10/1991	Malcolm	D24/199	D396,191 S	7/1998	Kuzma et al.	D9/574
D321,936 S	11/1991	Donovan	D24/197	D396,244 S	7/1998	Venne et al.	D19/43
D325,167 S	4/1992	Humfress	D9/403	D397,444 S	8/1998	Ibey	D24/197
D327,005 S	6/1992	Beeman	D9/500	D399,756 S	10/1998	Lonczak et al.	D9/574
5,158,817 A	10/1992	Krishnakumar	428/36.92	D404,491 S	1/1999	Scott	D24/197
D333,435 S	2/1993	Blair	D9/542	D404,493 S	1/1999	Varlet	D24/197
D333,704 S	3/1993	Malcolm	D24/194	D405,373 S	2/1999	Crawford	D9/543
D333,789 S	3/1993	Reif	D9/563	D413,518 S	9/1999	Rodea	D9/538
D335,450 S	5/1993	Pezzoli et al.	D9/500	D415,685 S	10/1999	Braun	D9/503
5,217,737 A	6/1993	Gygax et al.	426/111	D420,448 S	2/2000	Brown et al.	D24/197
D337,271 S	7/1993	Pezzoli et al.	D9/503	6,039,204 A	3/2000	Hosokoshiyama et al. ..	220/623
D337,939 S	8/1993	Smith, Jr.	D9/338	D423,107 S	4/2000	Brown et al.	D24/197
5,234,126 A	8/1993	Jonas et al.	220/609	D426,161 S	6/2000	Hestehave et al.	D9/520
5,269,437 A	12/1993	Gygax et al.	220/606	6,095,705 A	8/2000	Phillips	401/6
D343,793 S	2/1994	Crawford	D9/529	D432,022 S	10/2000	Meeker et al.	D9/548
D345,376 S	3/1994	Underwood, Jr.	D19/48	D433,637 S	11/2000	Hailey et al.	D9/542
D346,744 S	5/1994	Ford et al.	D9/542	D443,821 S	6/2001	Bakic	D9/500
D346,963 S	5/1994	Crawford	D9/550	D443,828 S	6/2001	Meeker et al.	D9/540
D352,242 S	11/1994	Crawford et al.	D9/529	D444,390 S	7/2001	Kokenge et al.	D9/542
D354,913 S	1/1995	Pezzoli et al.	D9/500	D445,692 S	7/2001	Meeker et al.	D9/530
D356,160 S	3/1995	Cautereels	D24/197	D446,127 S	8/2001	Adee et al.	D9/563
D362,800 S	10/1995	Sherman et al.	D9/341	D446,128 S	8/2001	Adee et al.	D9/563
D368,035 S	3/1996	Ahern, Jr.	D9/556				

* cited by examiner

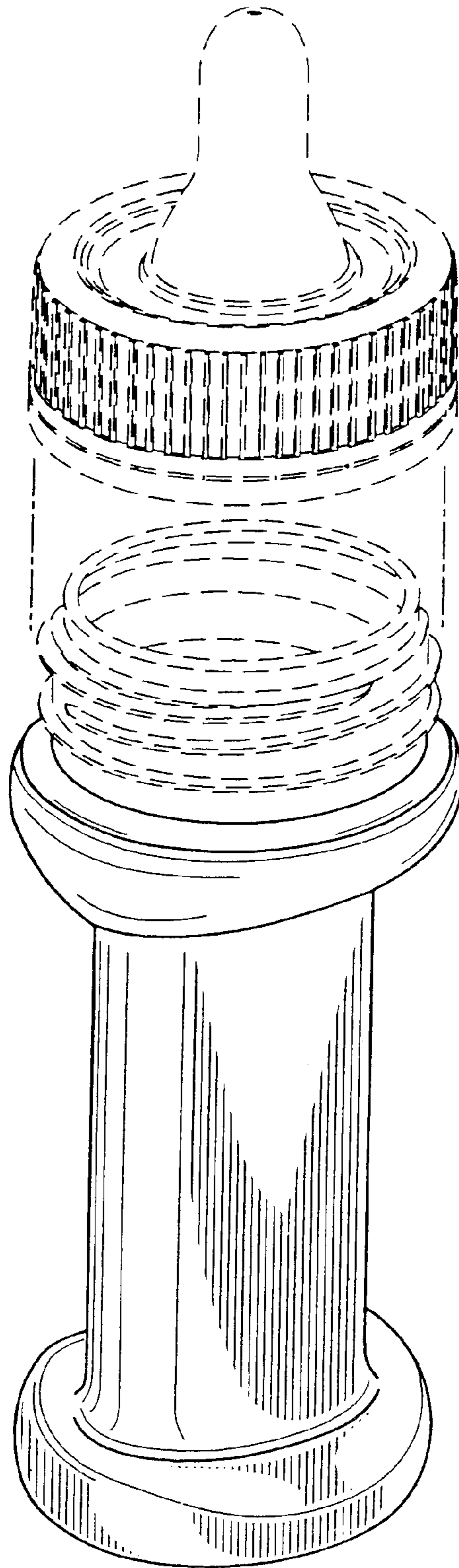


Fig. 1

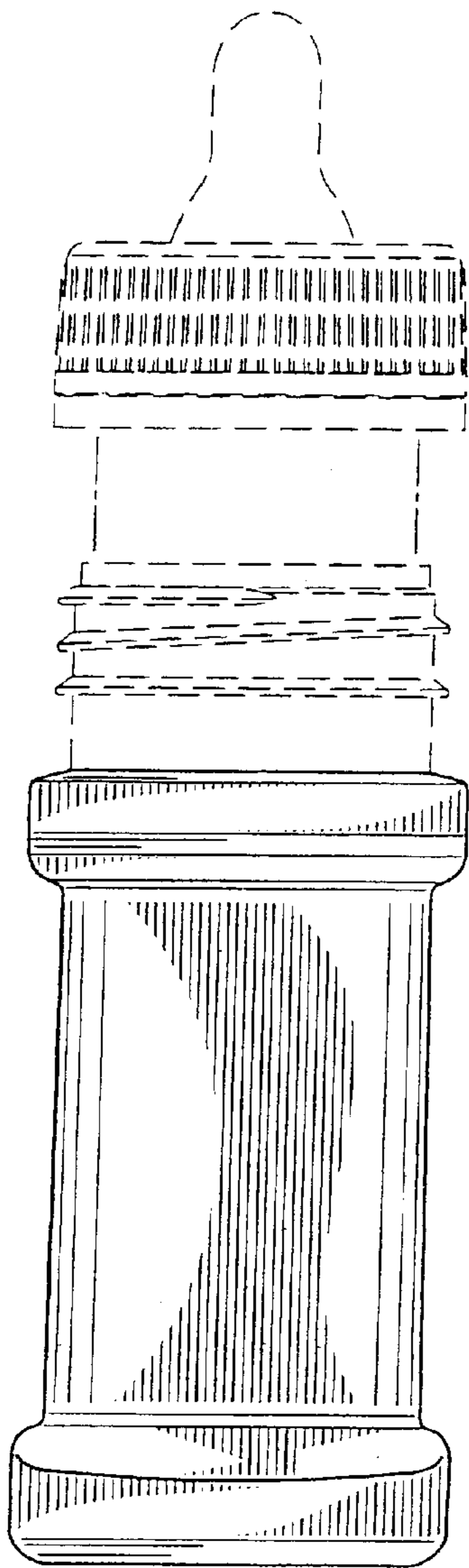


Fig. 2

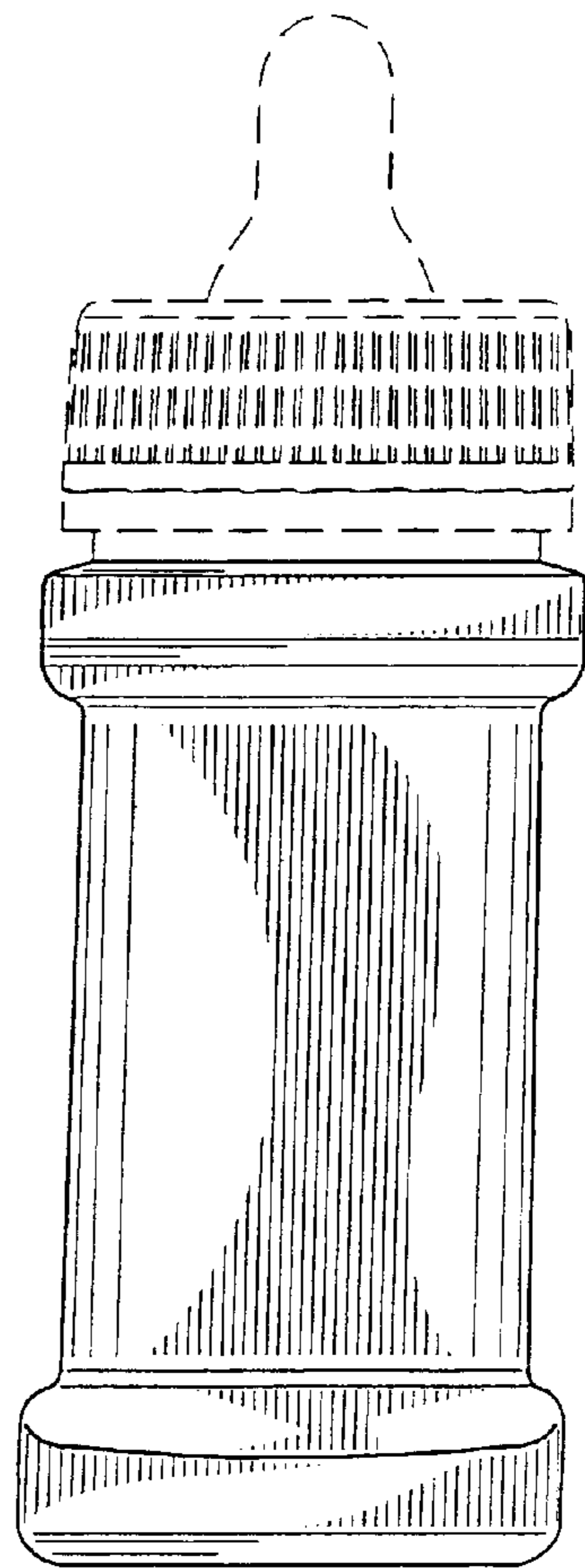


Fig. 3

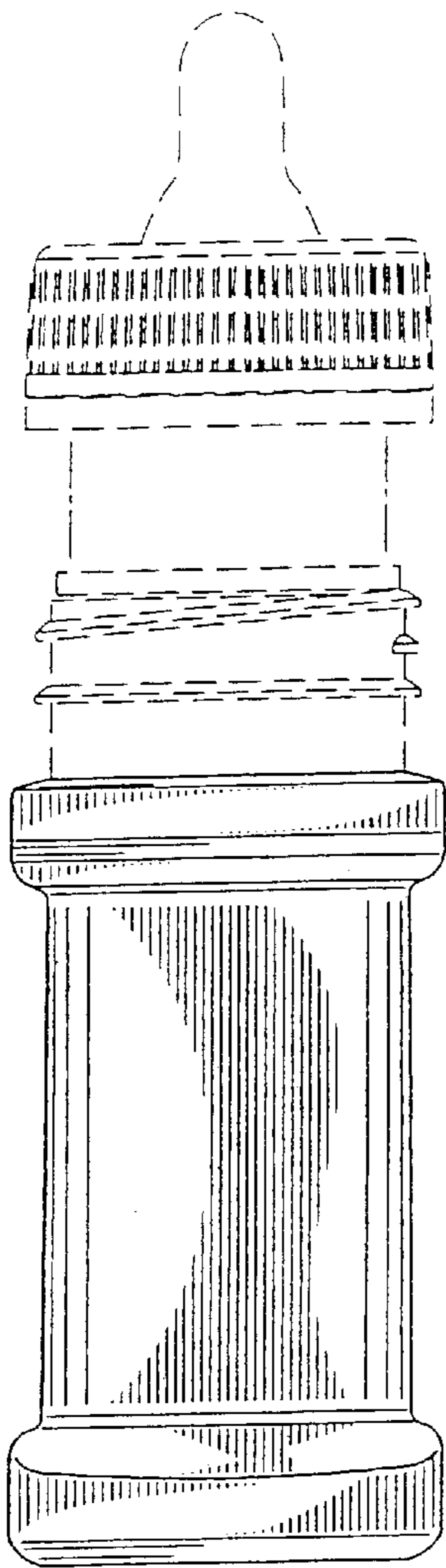


Fig. 4

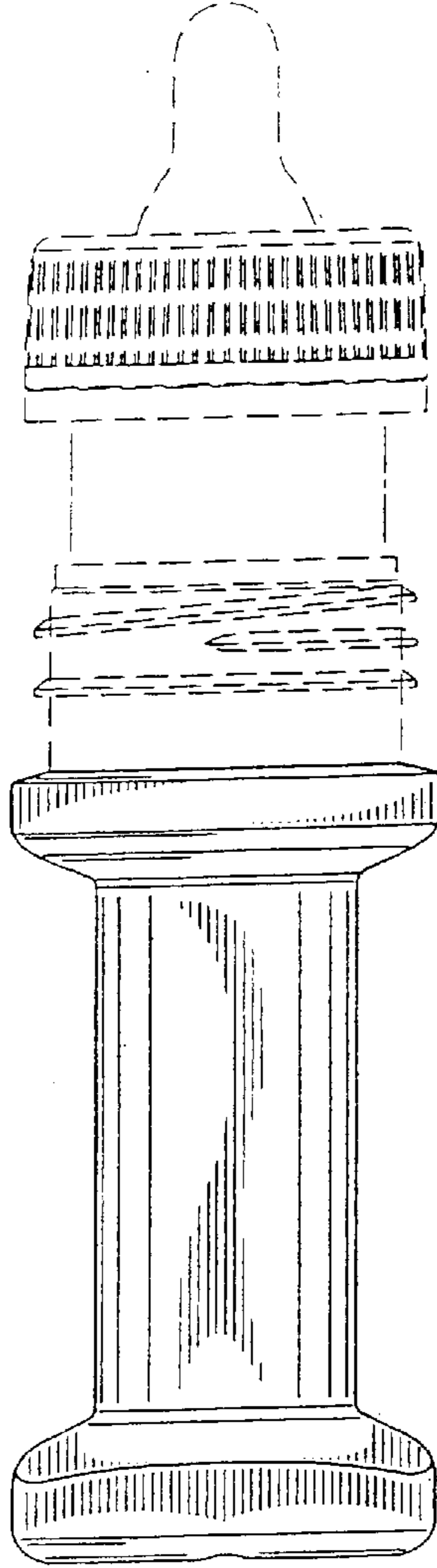


Fig. 5

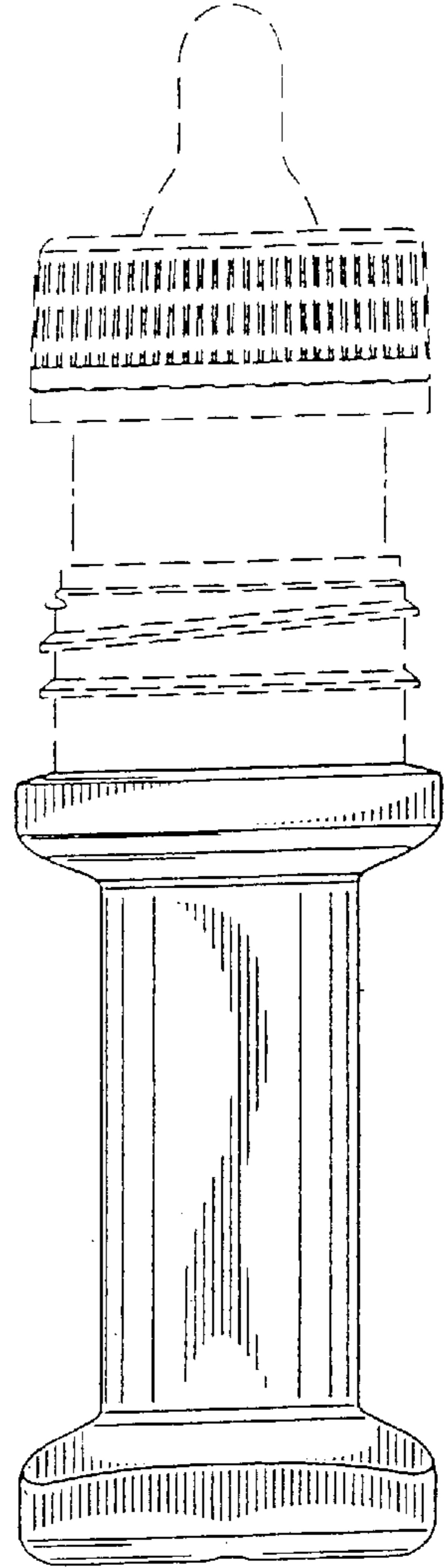


Fig. 6

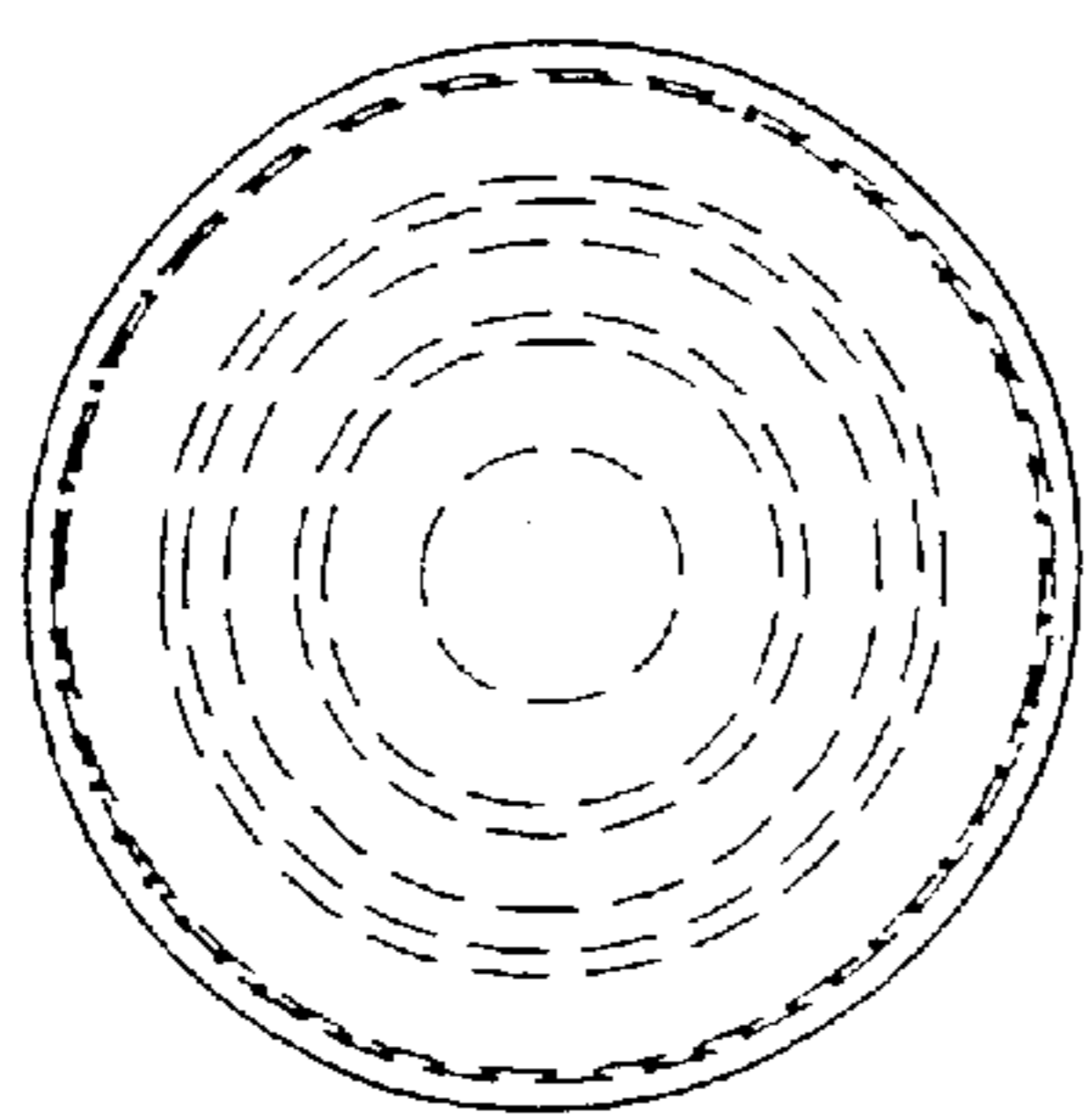


Fig. 7

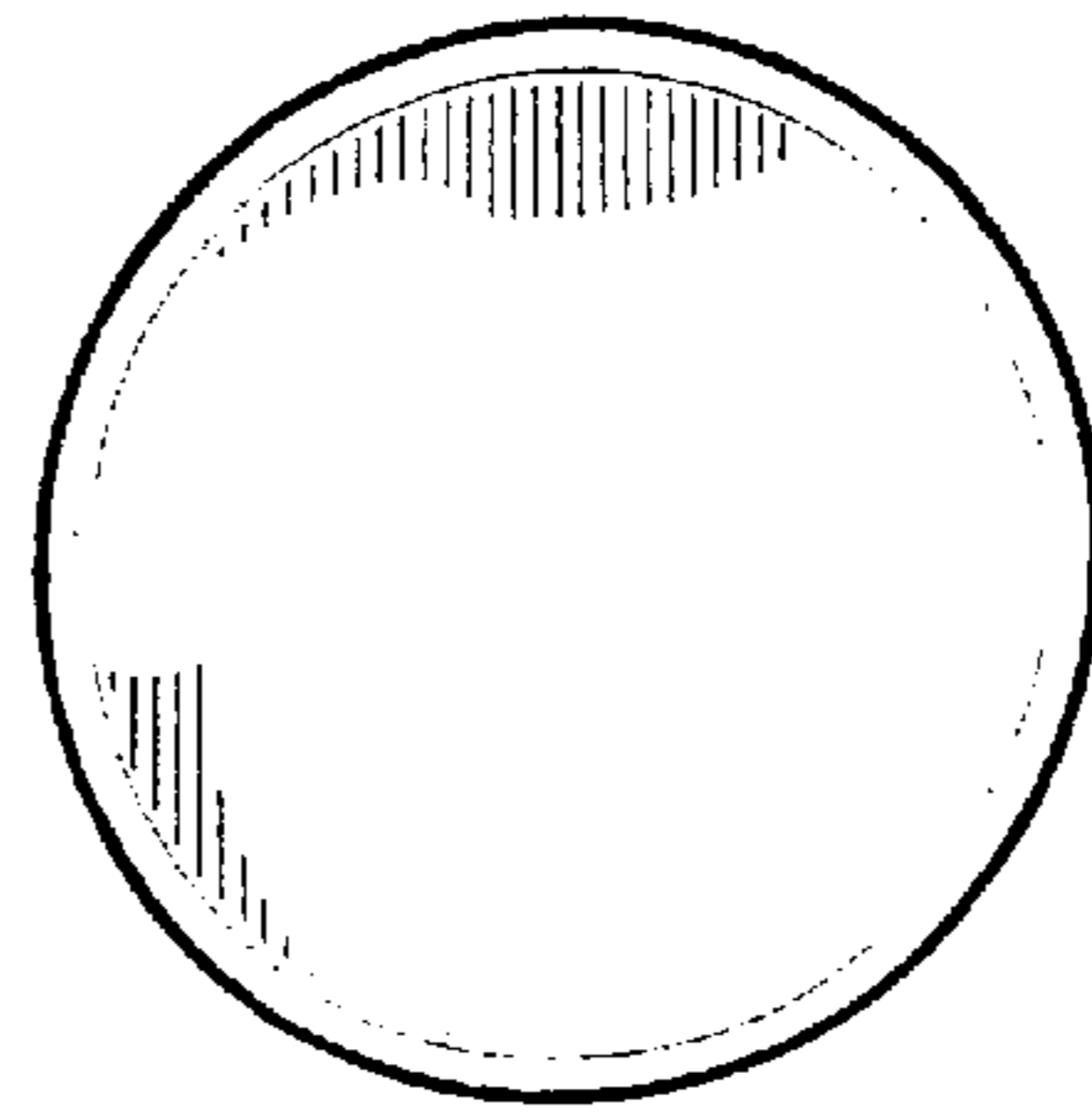


Fig. 8